



US00D537404S

(12) **United States Design Patent**
Bauer et al.

(10) **Patent No.:** **US D537,404 S**

(45) **Date of Patent:** **** Feb. 27, 2007**

(54) **VEHICLE ROOF TOP CARRIER**

(75) Inventors: **Greg A. Bauer**, Sacramento, CA (US);
Donn Van Dusen, Yuba City, CA (US)

(73) Assignee: **Thule Sweden AB**, Hillerstorp (SE)

(**) Term: **14 Years**

(21) Appl. No.: **29/215,066**

(22) Filed: **Oct. 12, 2004**

(51) **LOC (8) Cl.** **12-16**

(52) **U.S. Cl.** **D12/412**

(58) **Field of Classification Search** D12/406,
D12/412, 414, 414.1; D25/38, 43; 224/309-310;
248/499, 503; 296/3, 36, 40, 32; 410/101-106
See application file for complete search history.

(56) **References Cited**

U.S. PATENT DOCUMENTS

D406,557 S *	3/1999	Bentley	D12/412
D422,553 S *	4/2000	VonDuyke	D12/412
D434,718 S *	12/2000	Kreisler	D12/412
6,425,508 B1 *	7/2002	Cole et al.	224/320
D470,451 S *	2/2003	Bushart et al.	D12/412
D477,562 S *	7/2003	McCoy et al.	D12/406

* cited by examiner

Primary Examiner—Robert M. Spear
Assistant Examiner—Katrina A. Kile

(74) *Attorney, Agent, or Firm*—Novak Druce & Quigg, LLP

(57) **CLAIM**

The ornamental design for a vehicle roof top carrier, as shown and described.

DESCRIPTION

FIG. 1 is a perspective view of the vehicle roof top carrier of this invention;

FIG. 2 is a perspective view of an alternative embodiment of the vehicle roof top carrier of this invention;

FIG. 3 is a rear elevation view of the invention;

FIG. 4 is a rear elevation view of an alternative embodiment of the invention;

FIG. 5 is a top plan view of the invention;

FIG. 6 is a top plan view of an alternative embodiment of the invention;

FIG. 7 is a left side view of the invention, the right side view being a mirror image;

FIG. 8 is a left side view of an alternative embodiment of the invention, the right side view being a mirror image;

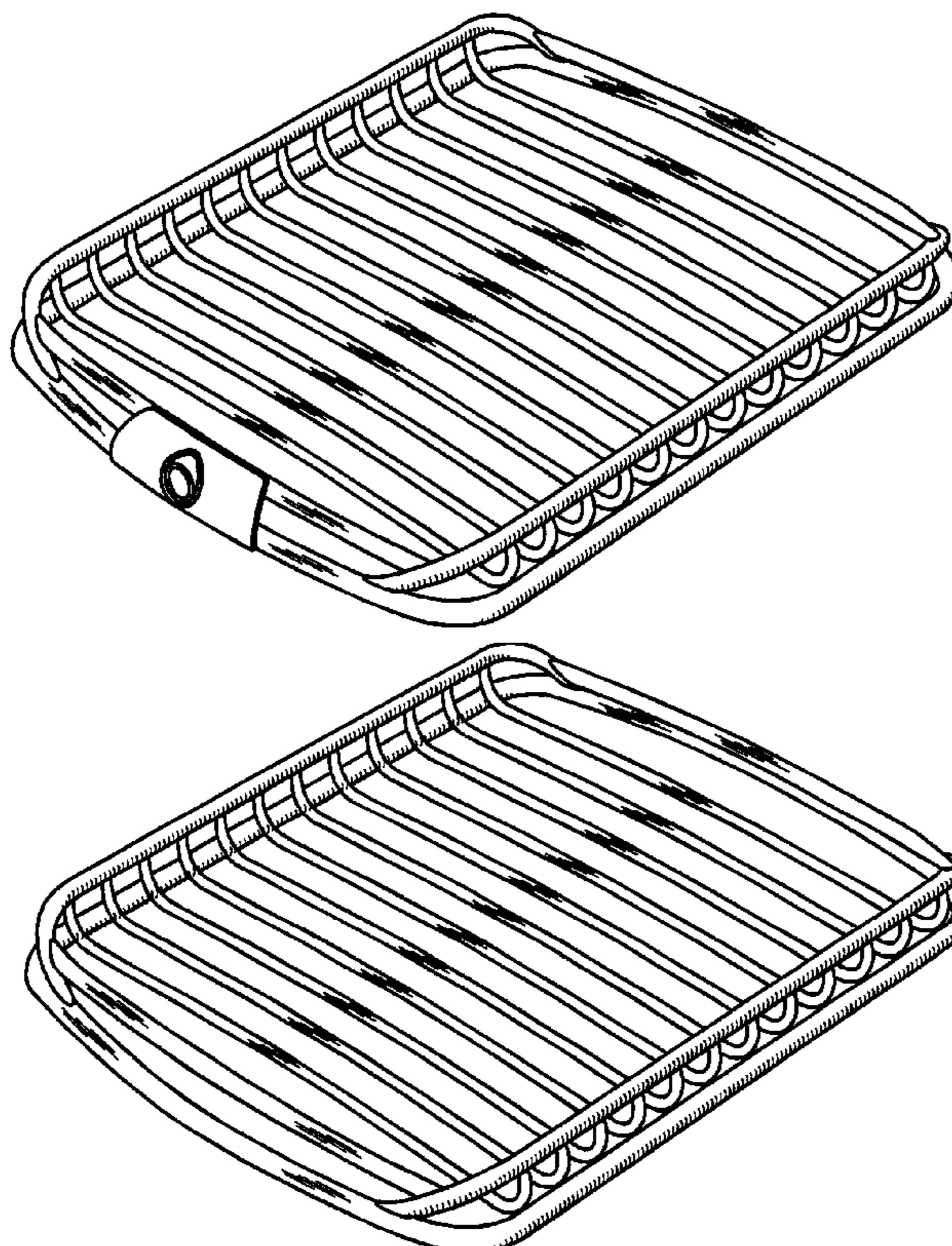
FIG. 9 is a front elevation view of the invention;

FIG. 10 is a front elevation view of an alternative embodiment of the invention;

FIG. 11 is a bottom plan view of the invention; and,

FIG. 12 is a bottom plan view of an alternative embodiment of the invention.

1 Claim, 9 Drawing Sheets



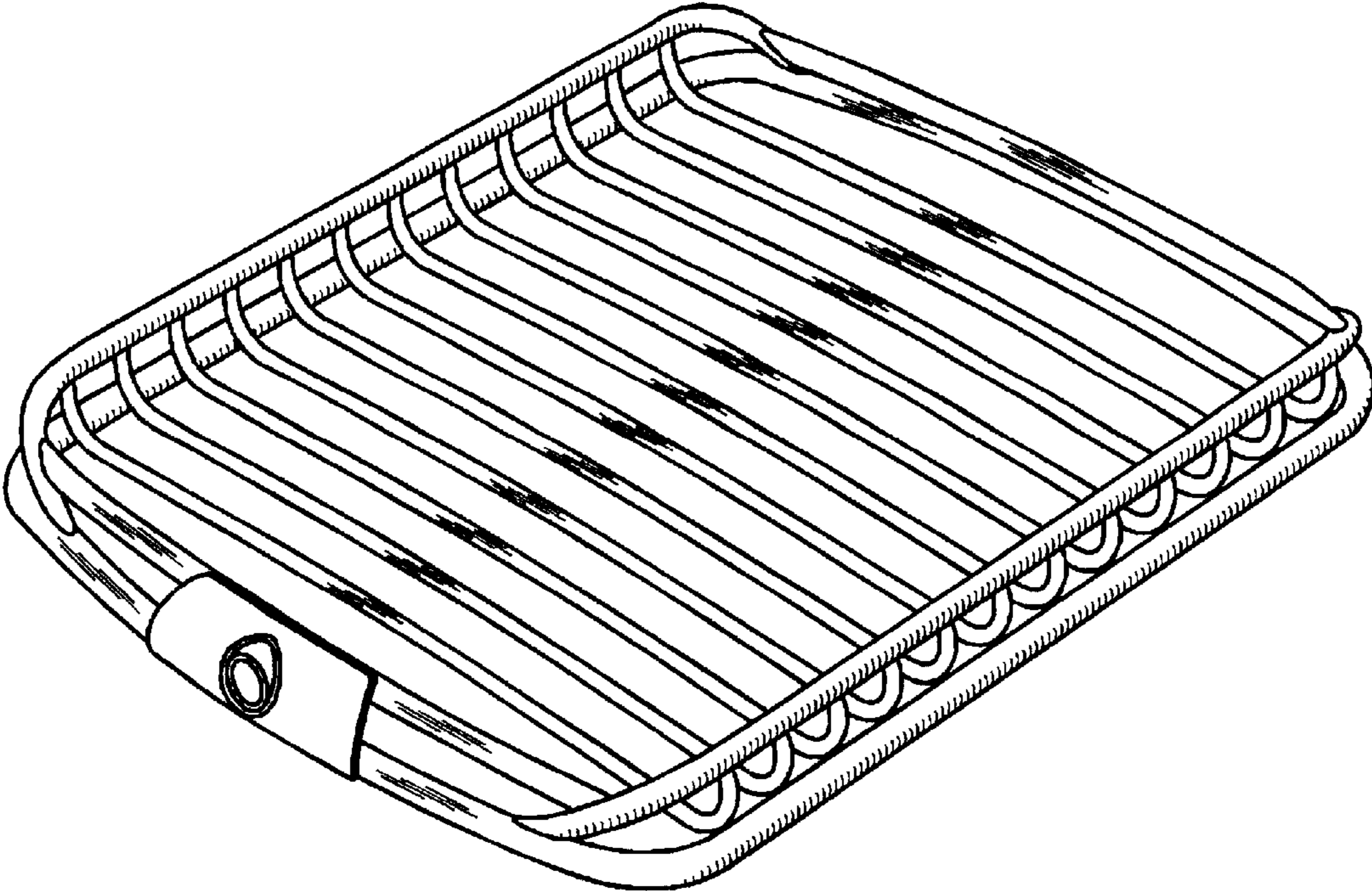


FIG. 1

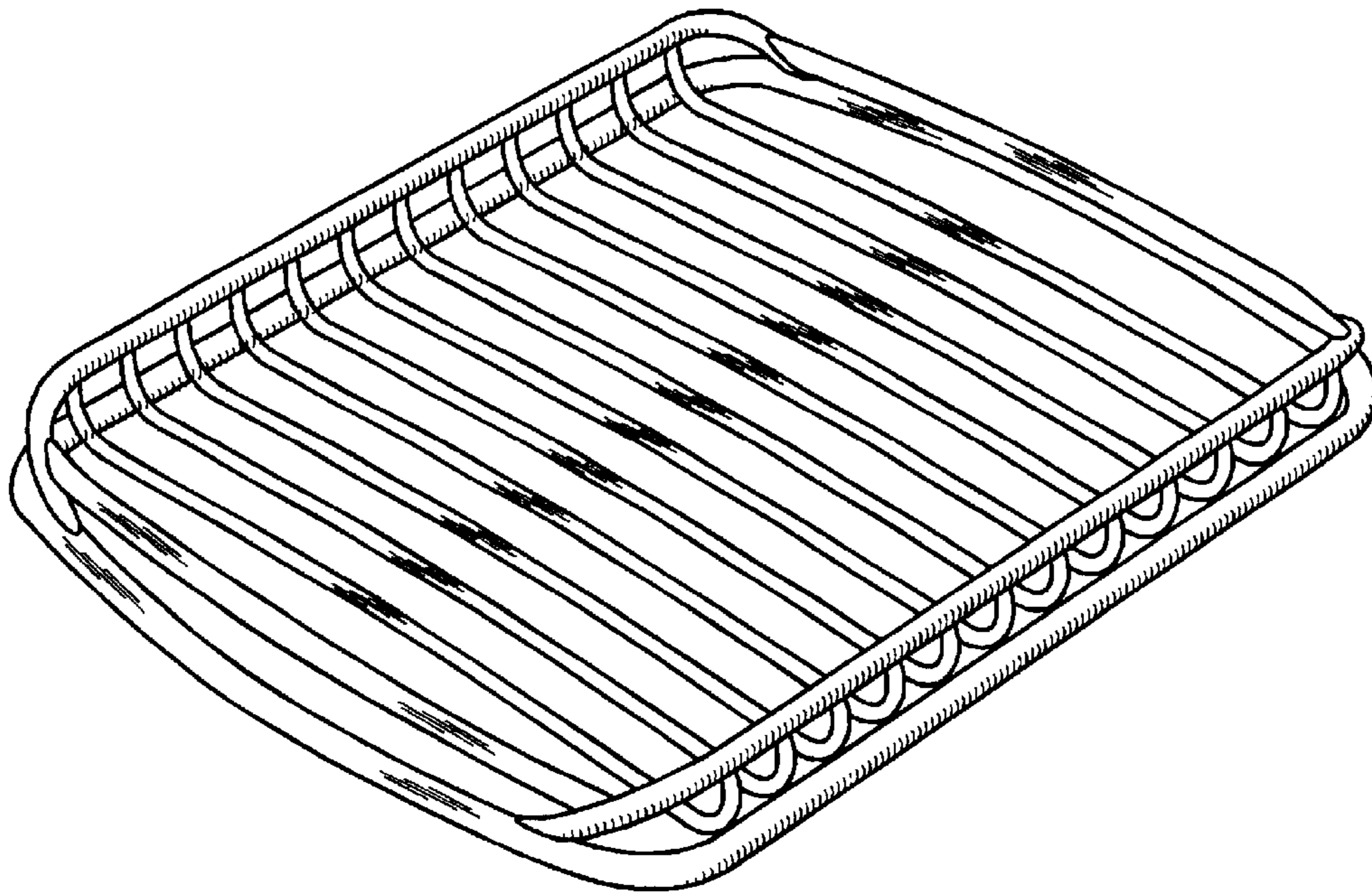


FIG. 2

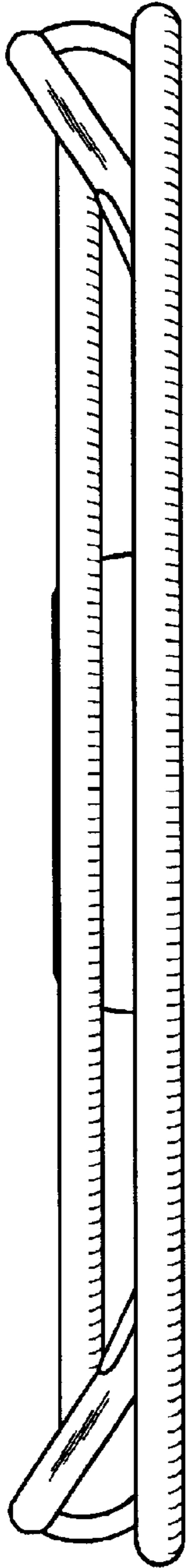


FIG. 3

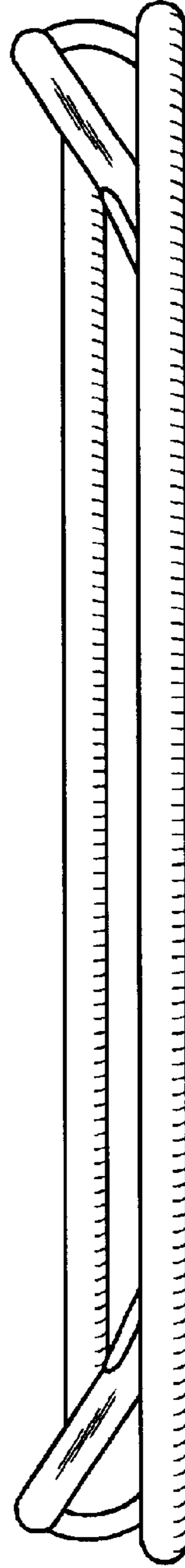


FIG. 4

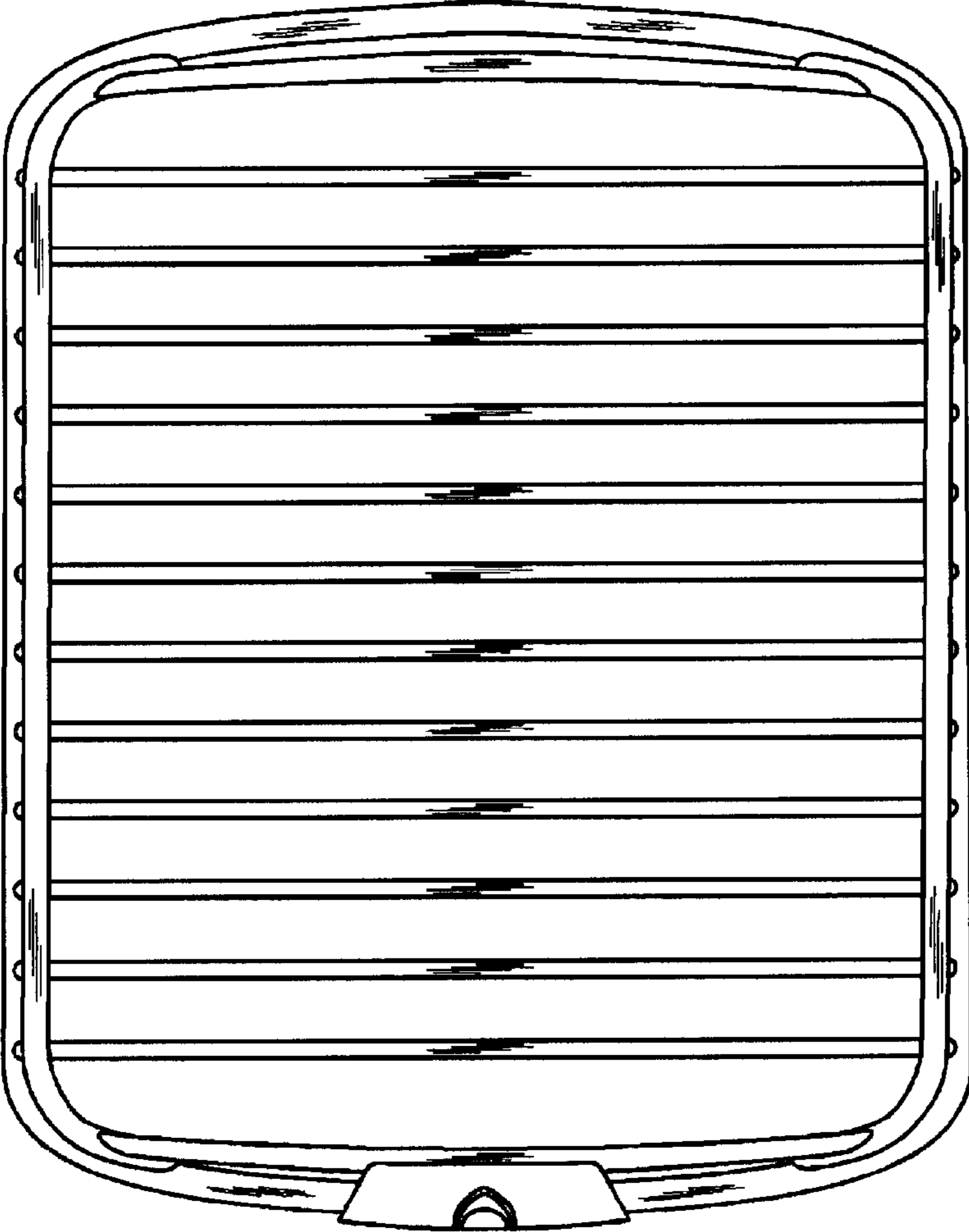


FIG. 5

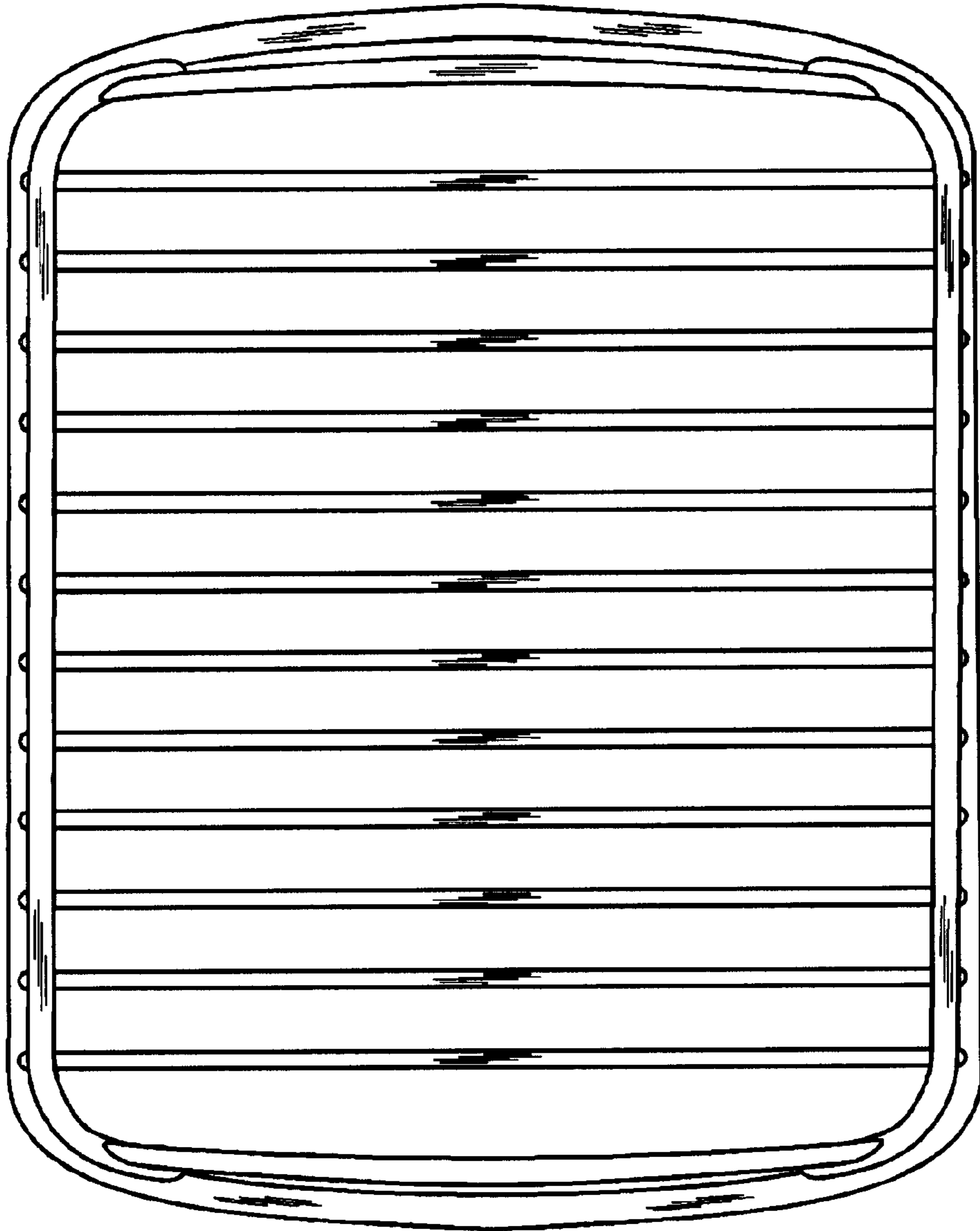


FIG. 6

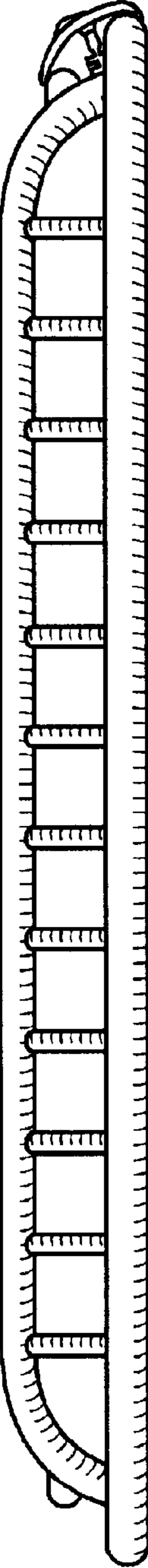


FIG. 7

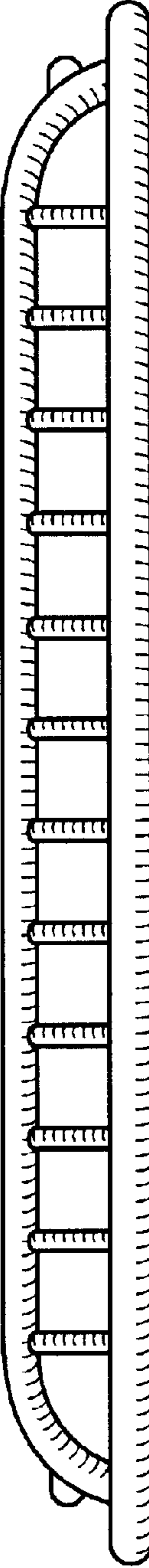


FIG. 8

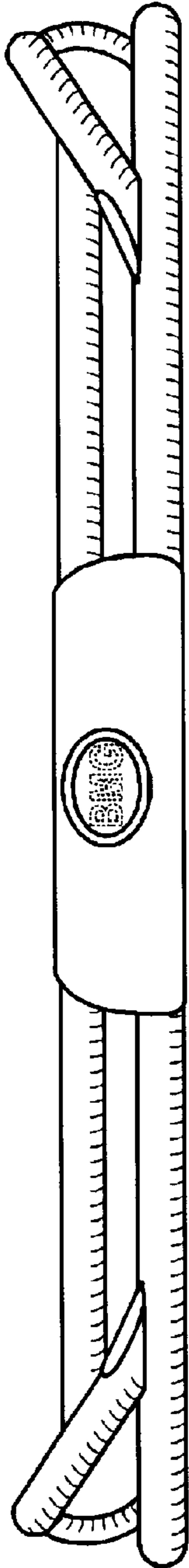


FIG. 9

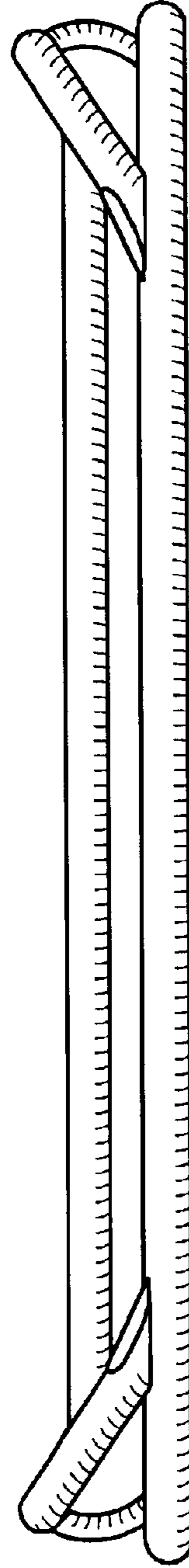


FIG. 10

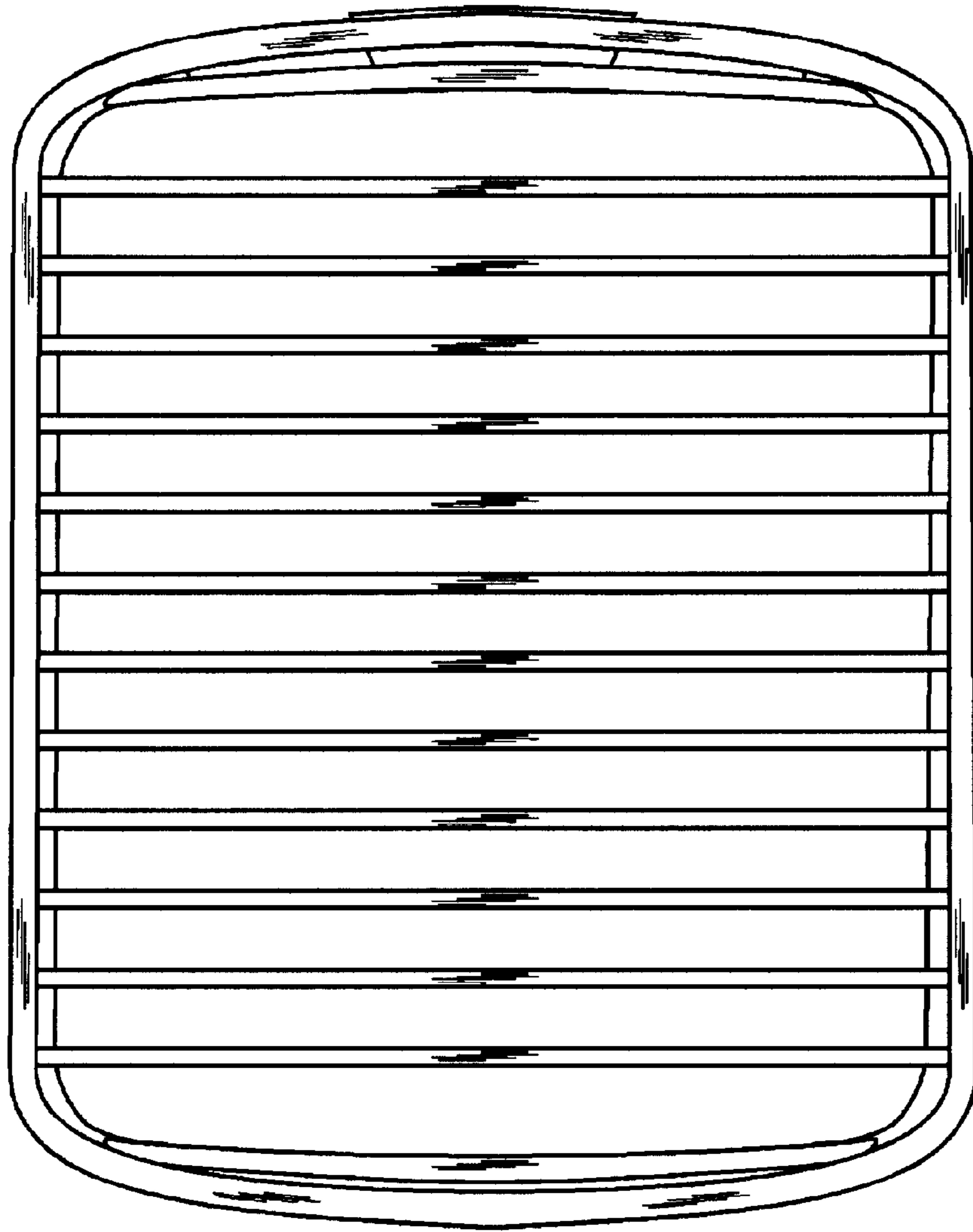


FIG. 11

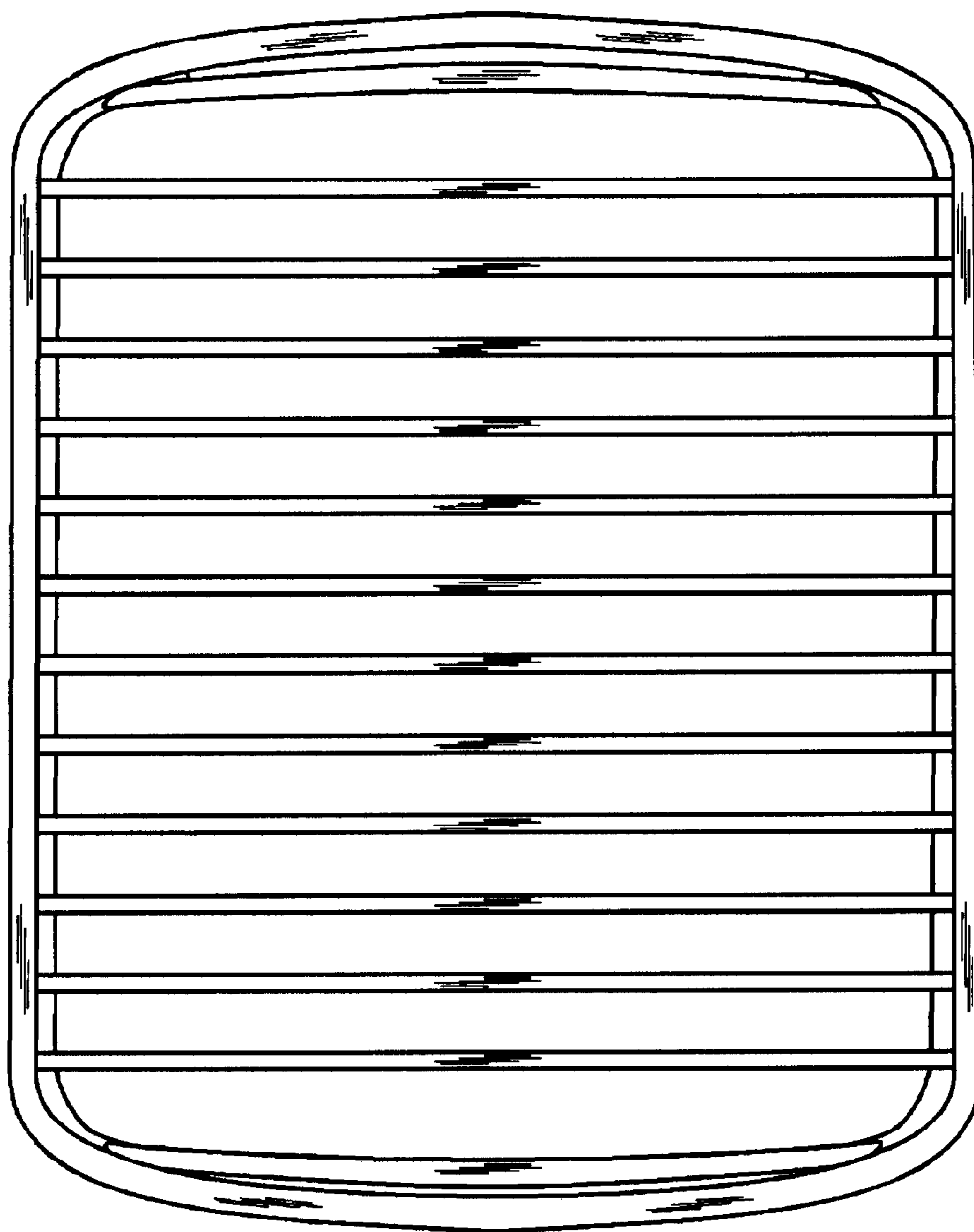


FIG. 12