

US00D537403S

(12) **United States Design Patent**
Villani et al.

(10) **Patent No.:** **US D537,403 S**

(45) **Date of Patent:** **** Feb. 27, 2007**

(54) **REEL IN CAR COVER CASE**

(76) Inventors: **Anthony Villani**, 62 Regato, Rancho Santa Margarita, CA (US) 92688;
Kathy Kennedy, 62 Regato, Rancho Santa Margarita, CA (US) 92688

(**) Term: **14 Years**

(21) Appl. No.: **29/213,838**

(22) Filed: **Sep. 23, 2004**

(51) **LOC (8) Cl.** **12-16**

(52) **U.S. Cl.** **D12/400**

(58) **Field of Classification Search** D22/140,
D22/141, 137; D3/309, 201, 905, 279; D8/358,
D8/359; D13/137.4; 242/322; D14/484, 475,
D14/476; 4/502; D12/409, 423
See application file for complete search history.

(56) **References Cited**

U.S. PATENT DOCUMENTS

1,912,231	A	*	5/1933	Wandscheer	150/166
4,764,998	A		8/1988	Norris et al.		
4,834,446	A		5/1989	Tung-Chow		
5,078,330	A		1/1992	Hall		
5,086,998	A		2/1992	Pelas		
5,400,521	A		3/1995	Waldherr		
5,795,008	A		8/1998	Allen		
D404,286	S	*	1/1999	Plantz et al.	D8/359

D443,017	S	*	5/2001	Alden	D22/140
D479,979	S	*	9/2003	Kovacik et al.	D8/358
D496,253	S	*	9/2004	Kovacik et al.	D8/358
D504,606	S	*	5/2005	Kovacik et al.	D8/358
D511,294	S	*	11/2005	Kovacik et al.	D8/358

* cited by examiner

Primary Examiner—Louis S. Zarfes

Assistant Examiner—Anna K. Dworzecka

(74) *Attorney, Agent, or Firm*—Weide & Miller, Ltd.

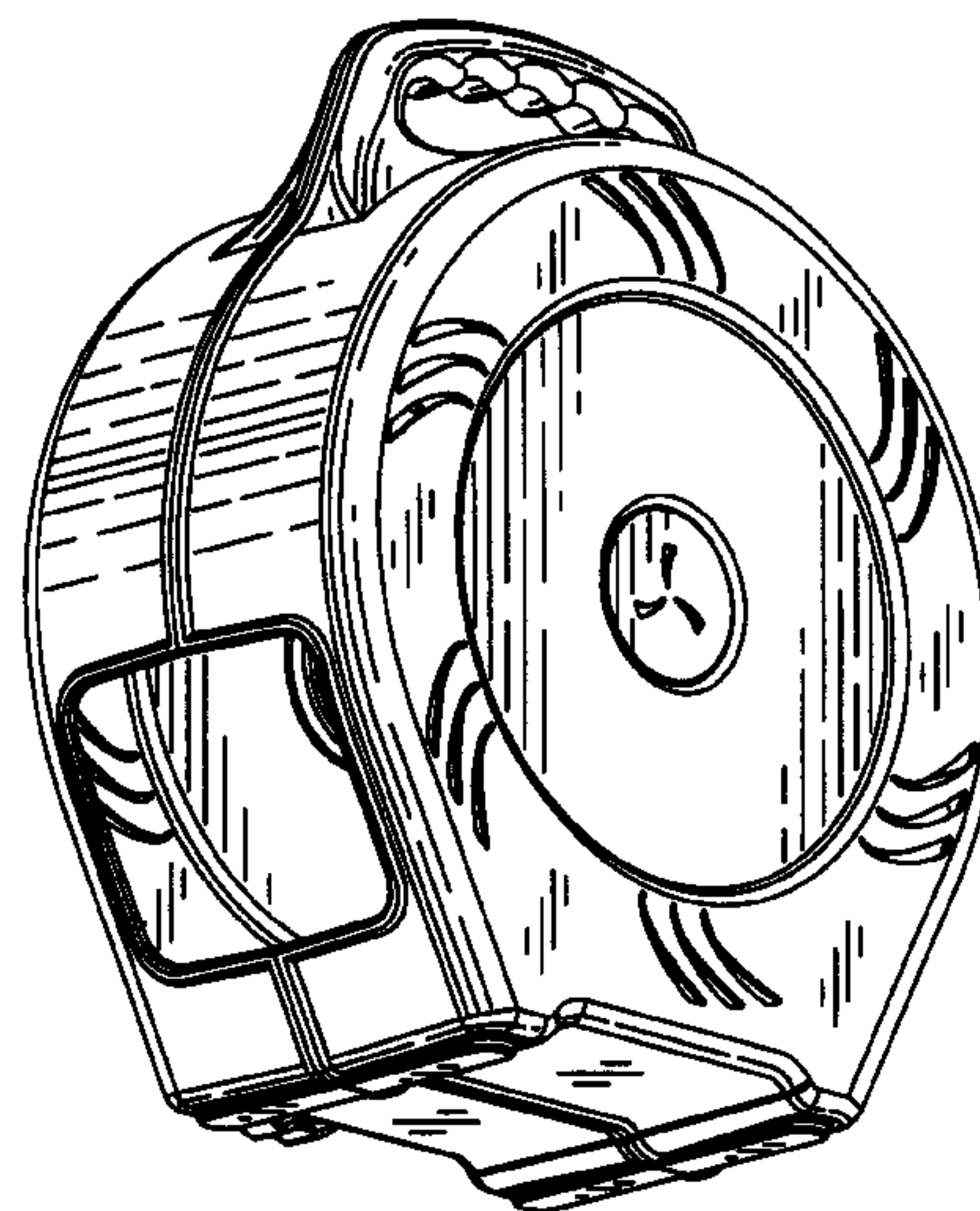
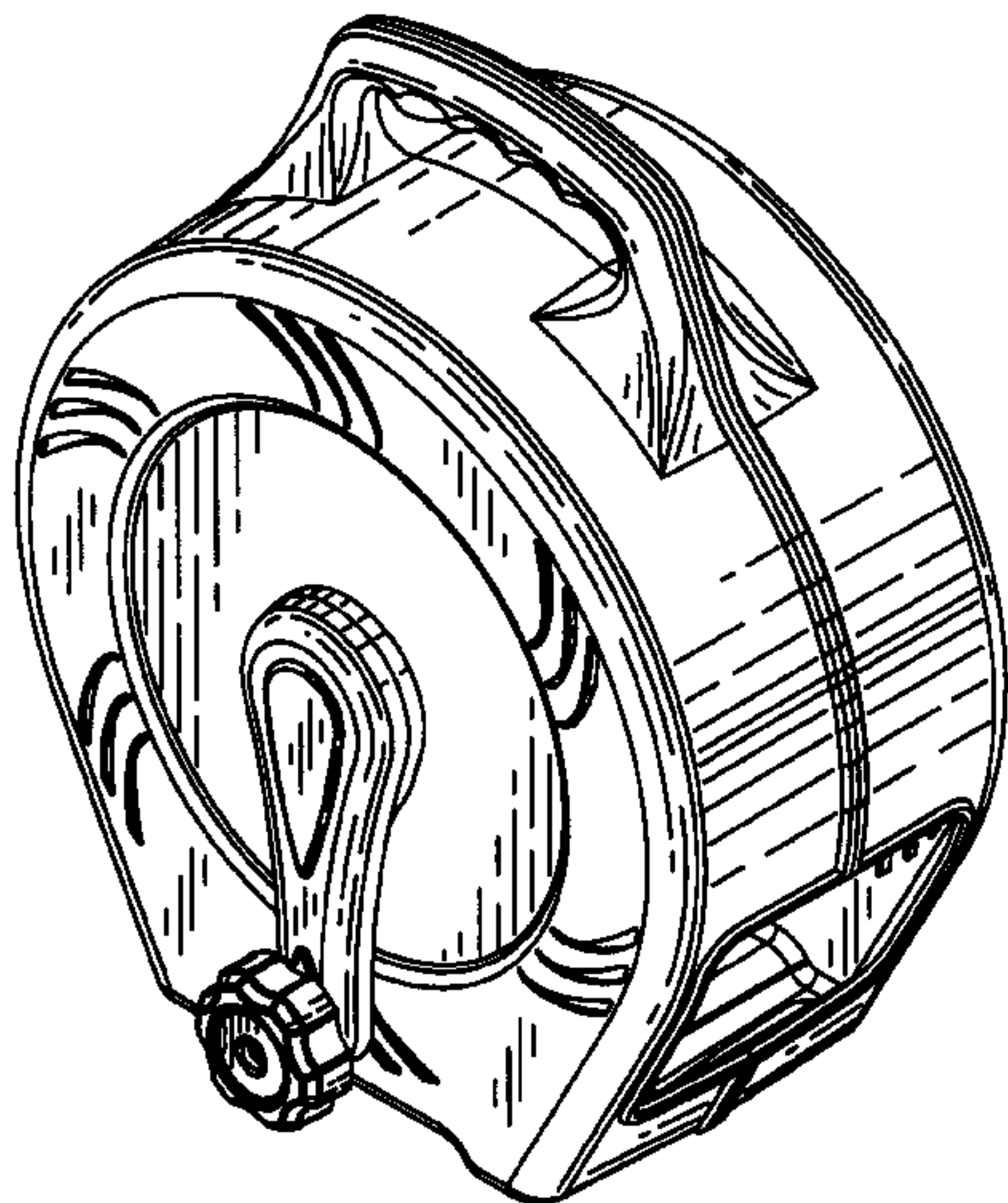
(57) **CLAIM**

The ornamental design for a reel in car cover case, as shown and described.

DESCRIPTION

FIG. 1 is a front perspective view of a reel in car cover case in accordance with the present invention;
FIG. 2 is a rear perspective view of the reel in car cover case;
FIG. 3 is a top plan view of the reel in car cover case;
FIG. 4 is a first end elevational view of the reel in car cover case;
FIG. 5 is a front elevational view of the reel in car cover case;
FIG. 6 is a bottom plan view of the reel in car cover case;
FIG. 7 is a second end elevational view of the reel in car cover case; and,
FIG. 8 is a rear plan view of the reel in car cover case.

1 Claim, 3 Drawing Sheets



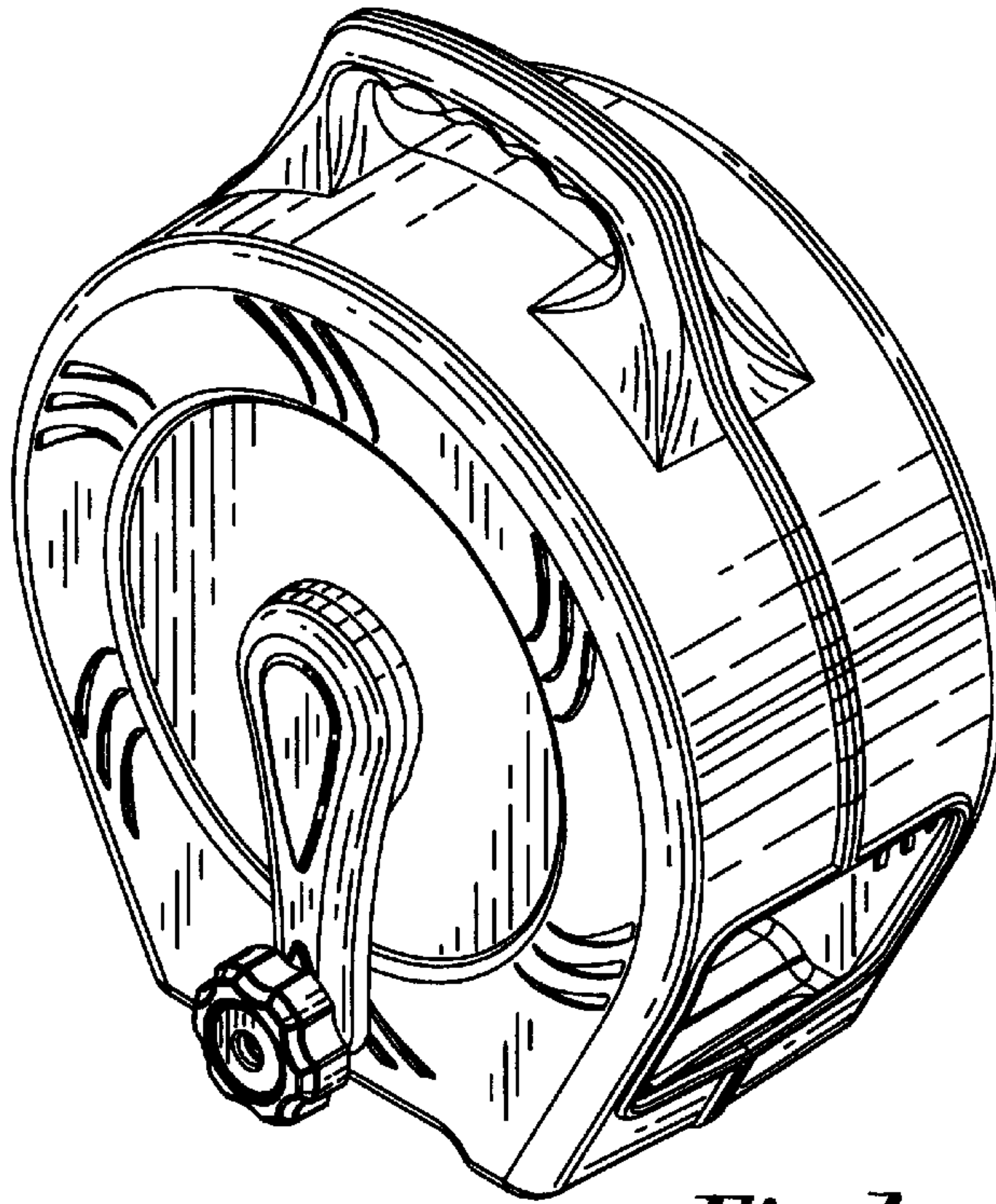


Fig. 1

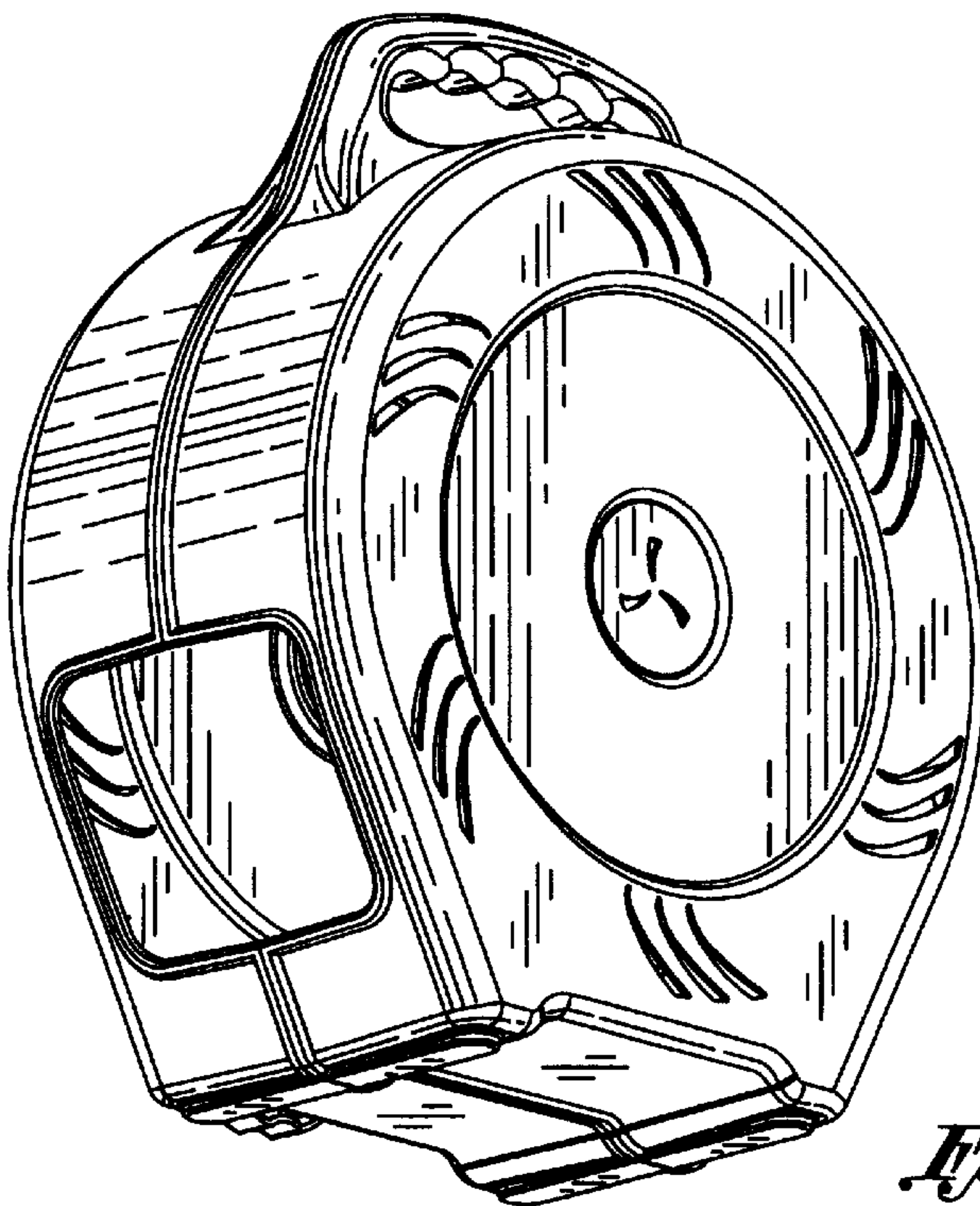


Fig. 2

Fig. 3

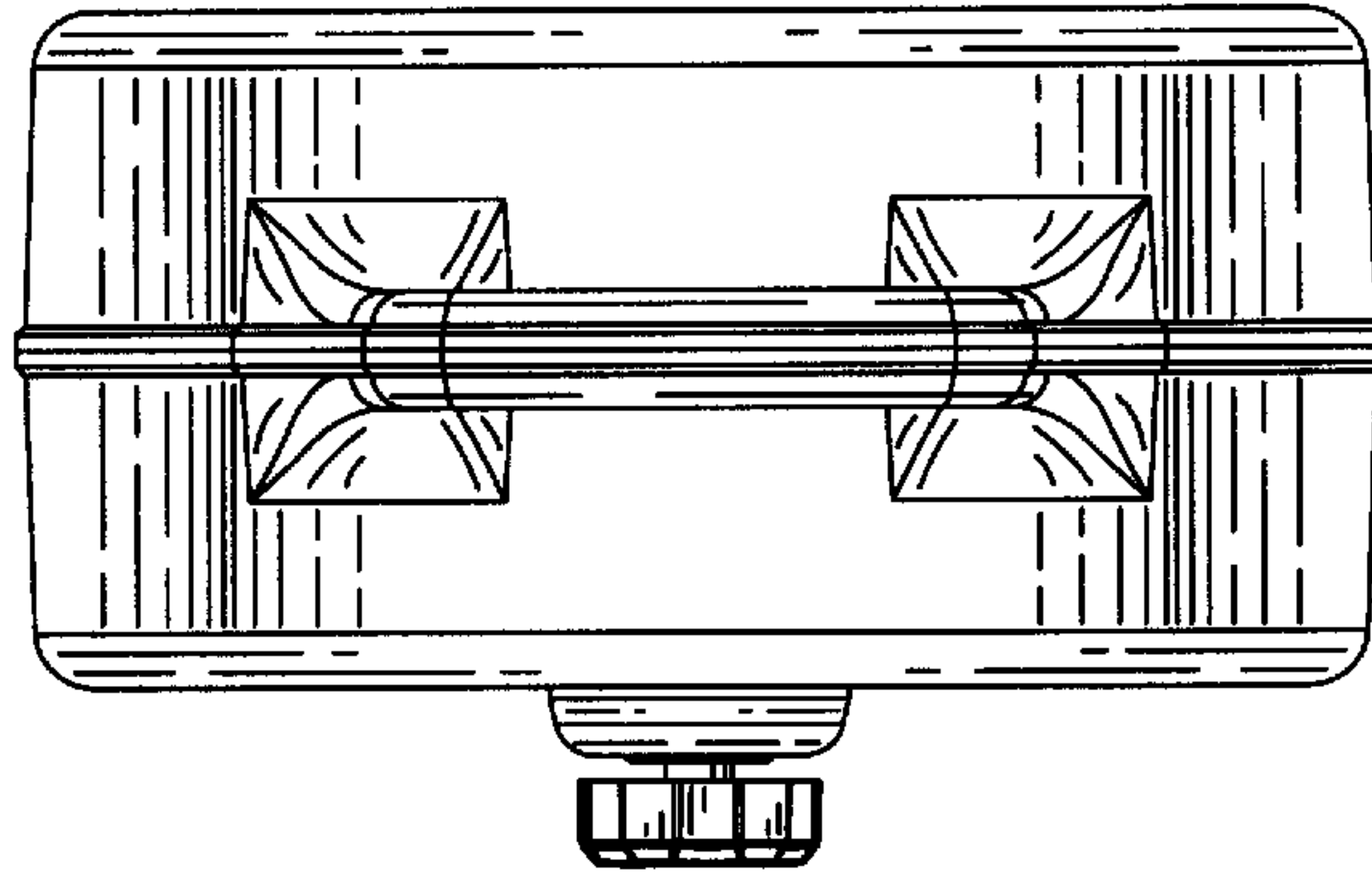


Fig. 4

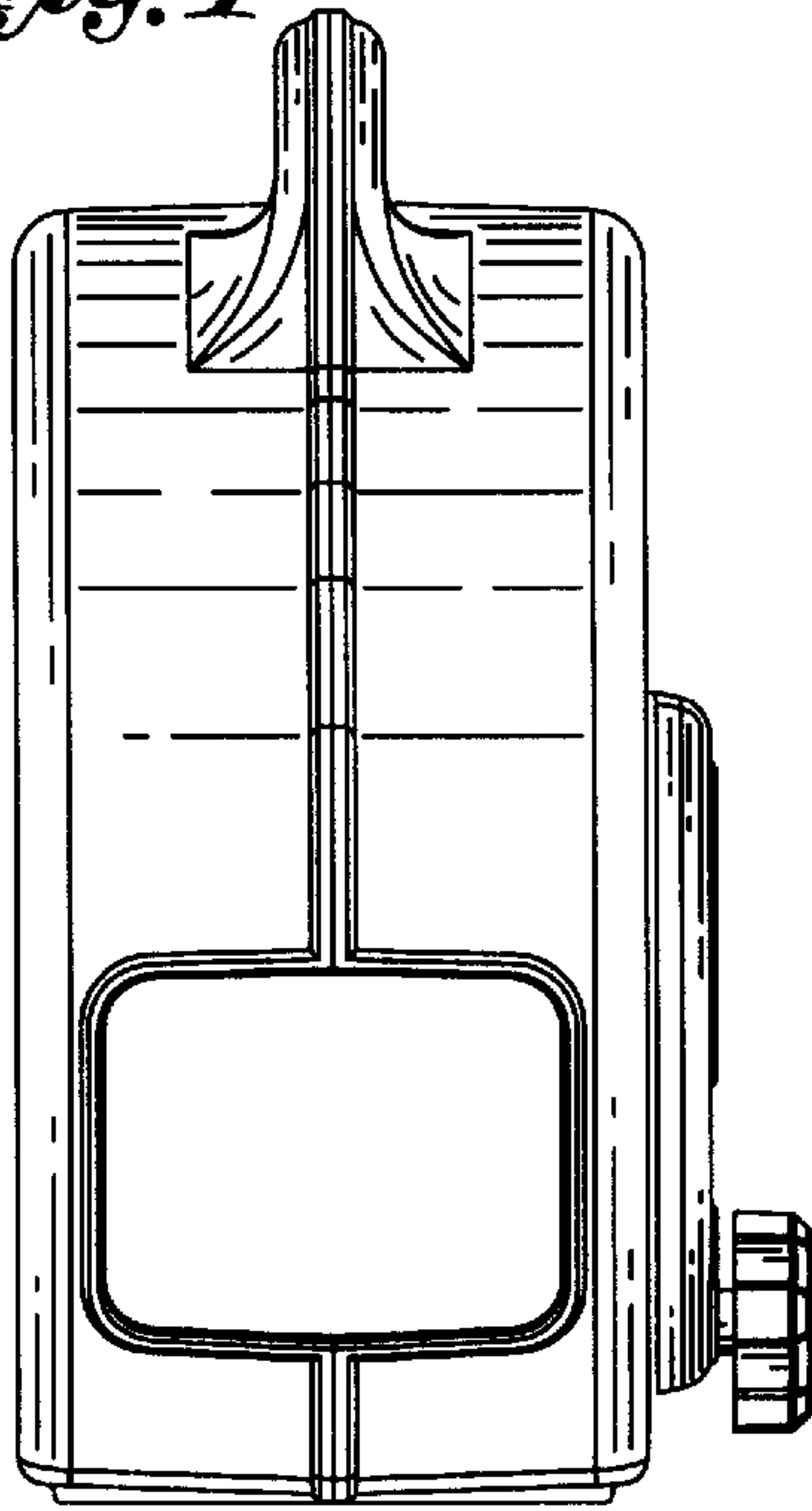


Fig. 5

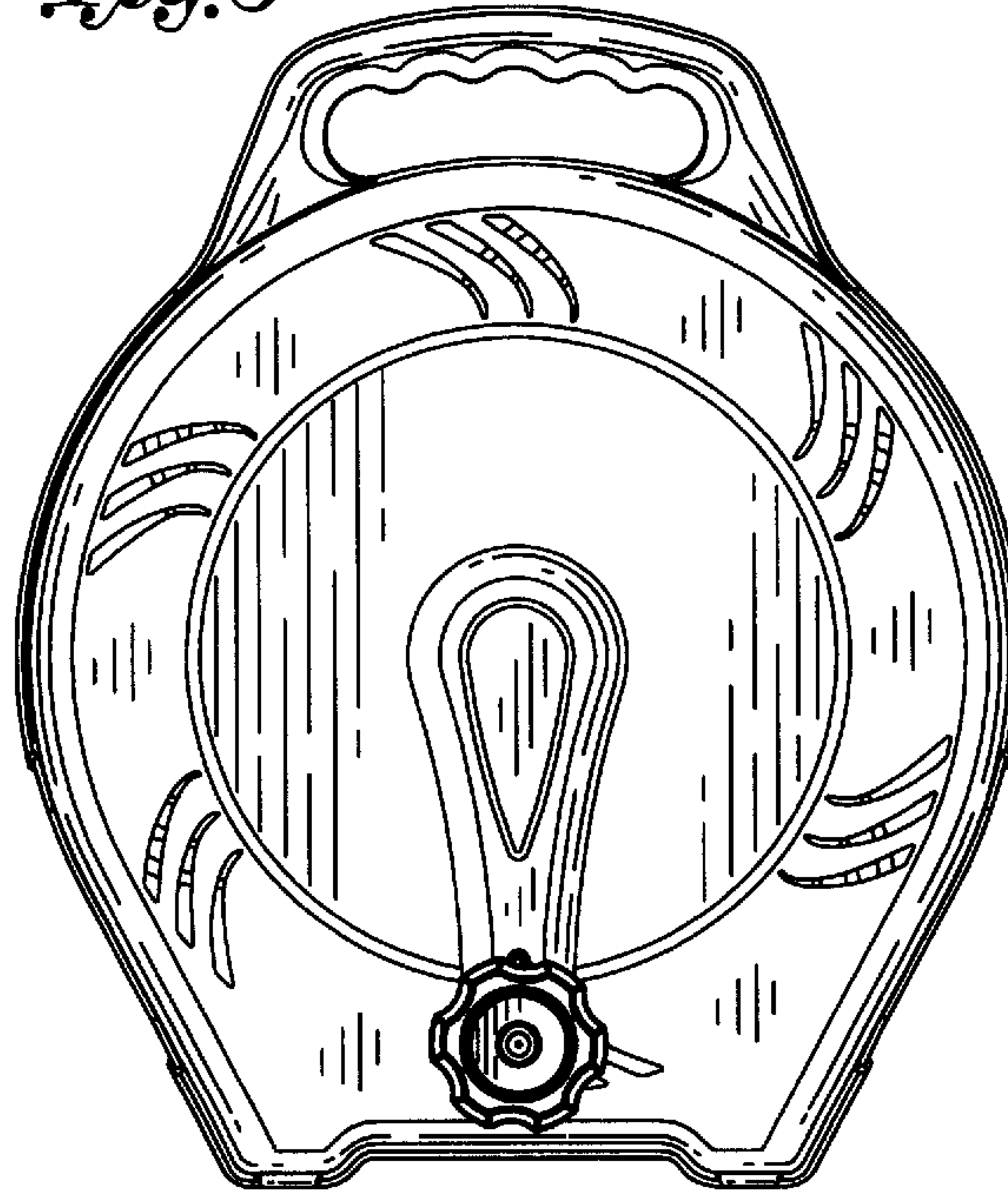


Fig. 6

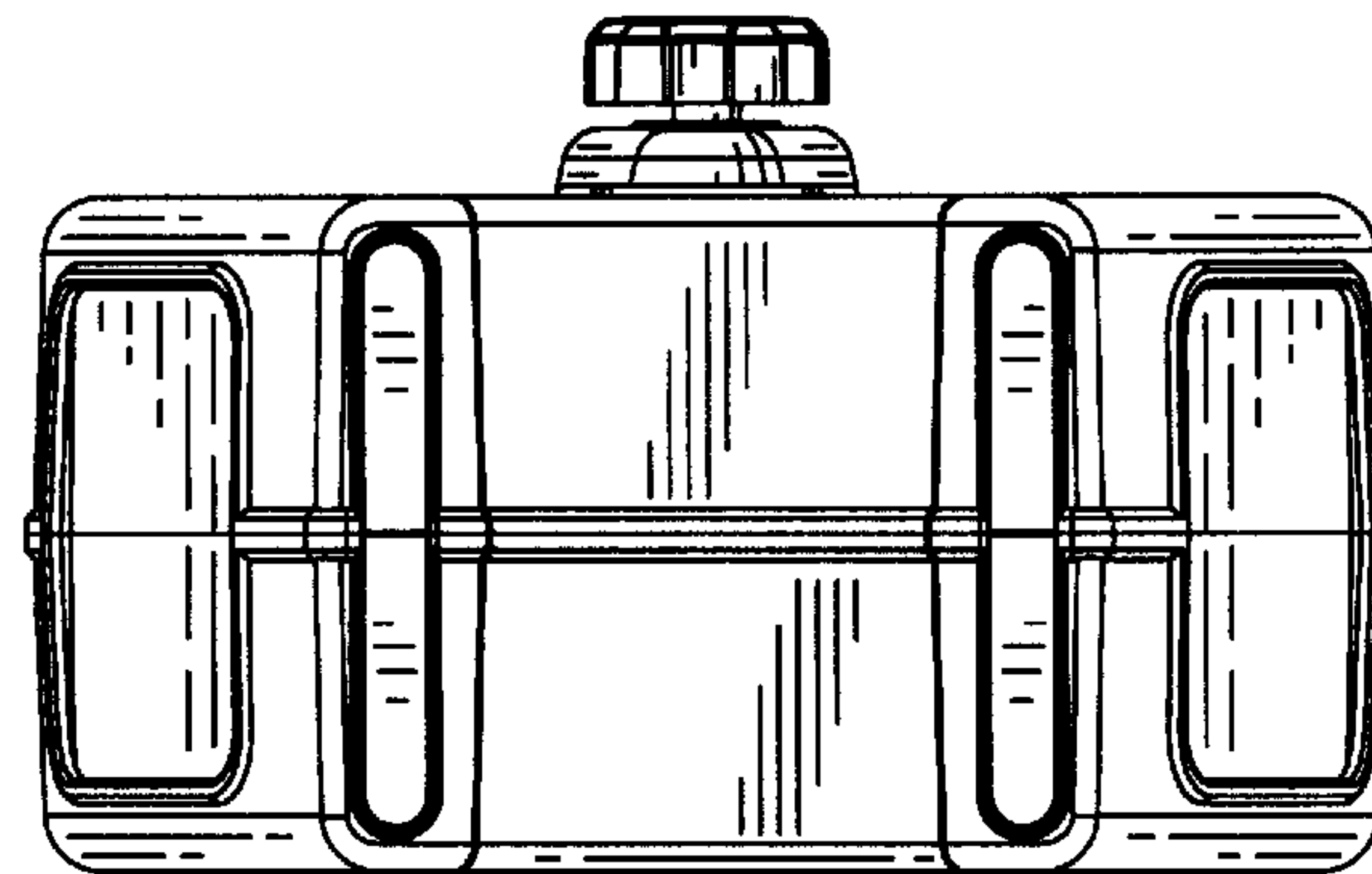


Fig. 7

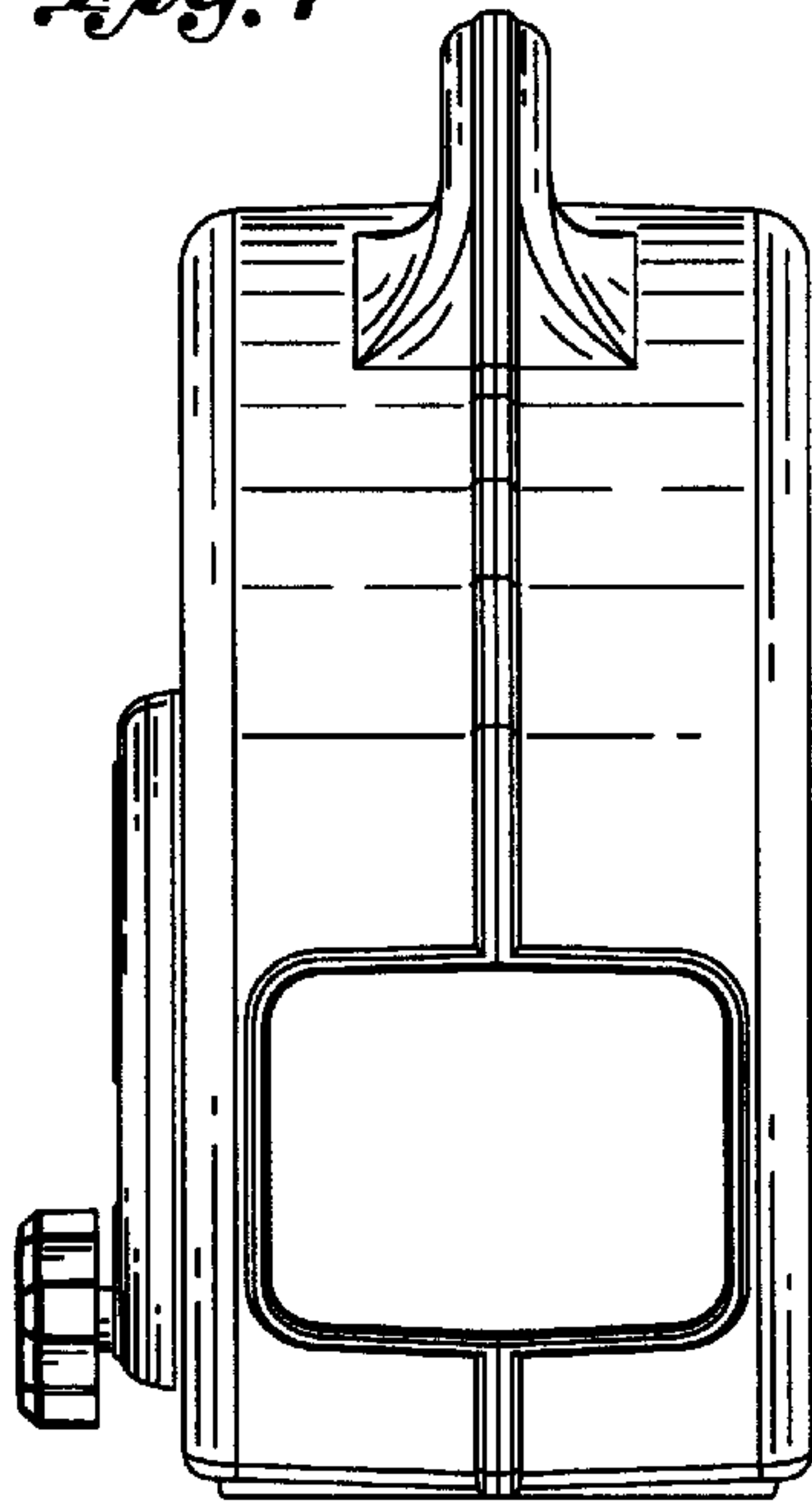


Fig. 8

