



US00D537402S

(12) **United States Design Patent**  
**Smith**

(10) **Patent No.:** **US D537,402 S**

(45) **Date of Patent:** **\*\* Feb. 27, 2007**

(54) **MOUNTING BRACKET FOR MOTORCYCLE CUP HOLDER**

(76) Inventor: **Devon G. Smith**, W207 S10491  
Jennifer Dr., Muskego, WI (US) 53150

(\*\*) Term: **14 Years**

(21) Appl. No.: **29/238,396**

(22) Filed: **Sep. 15, 2005**

(51) **LOC (8) Cl.** ..... **12-06**

(52) **U.S. Cl.** ..... **D12/223**

(58) **Field of Classification Search** ..... D12/223,  
D12/407, 409, 411, 110; 224/42.11, 414,  
224/425, 553, 564-567, 549, 558, 924, 926,  
224/420

See application file for complete search history.

(56) **References Cited**

**U.S. PATENT DOCUMENTS**

4,828,211 A	5/1989	McConnell et al.
4,984,722 A	1/1991	Moore
5,072,909 A	12/1991	Huang
5,167,392 A	12/1992	Henricksen
5,318,266 A	6/1994	Liu
5,423,508 A	6/1995	Isenga et al.
5,522,527 A	6/1996	Tsai
5,601,268 A	2/1997	Dunchock
5,603,477 A	2/1997	Deutsch
5,738,322 A	4/1998	Huang

6,390,427 B1	5/2002	McConnell et al.
6,663,068 B2	12/2003	Huang
6,692,053 B1	2/2004	Smith
6,719,254 B1	4/2004	Speiser

**FOREIGN PATENT DOCUMENTS**

JP 1-141135 6/1989

*Primary Examiner*—Alan P. Douglas

*Assistant Examiner*—Linda Brooks

(74) *Attorney, Agent, or Firm*—Ryan Kromholz & Manion, S.C.

(57) **CLAIM**

The ornamental design for a mounting bracket for motorcycle cup holder, as shown and described.

**DESCRIPTION**

FIG. 1 is a rear perspective view of a first embodiment of my invention;

FIG. 2 is a front elevation view thereof;

FIG. 3 is a rear elevation view thereof;

FIG. 4 is a right side elevation view thereof;

FIG. 5 is a left side elevation view thereof;

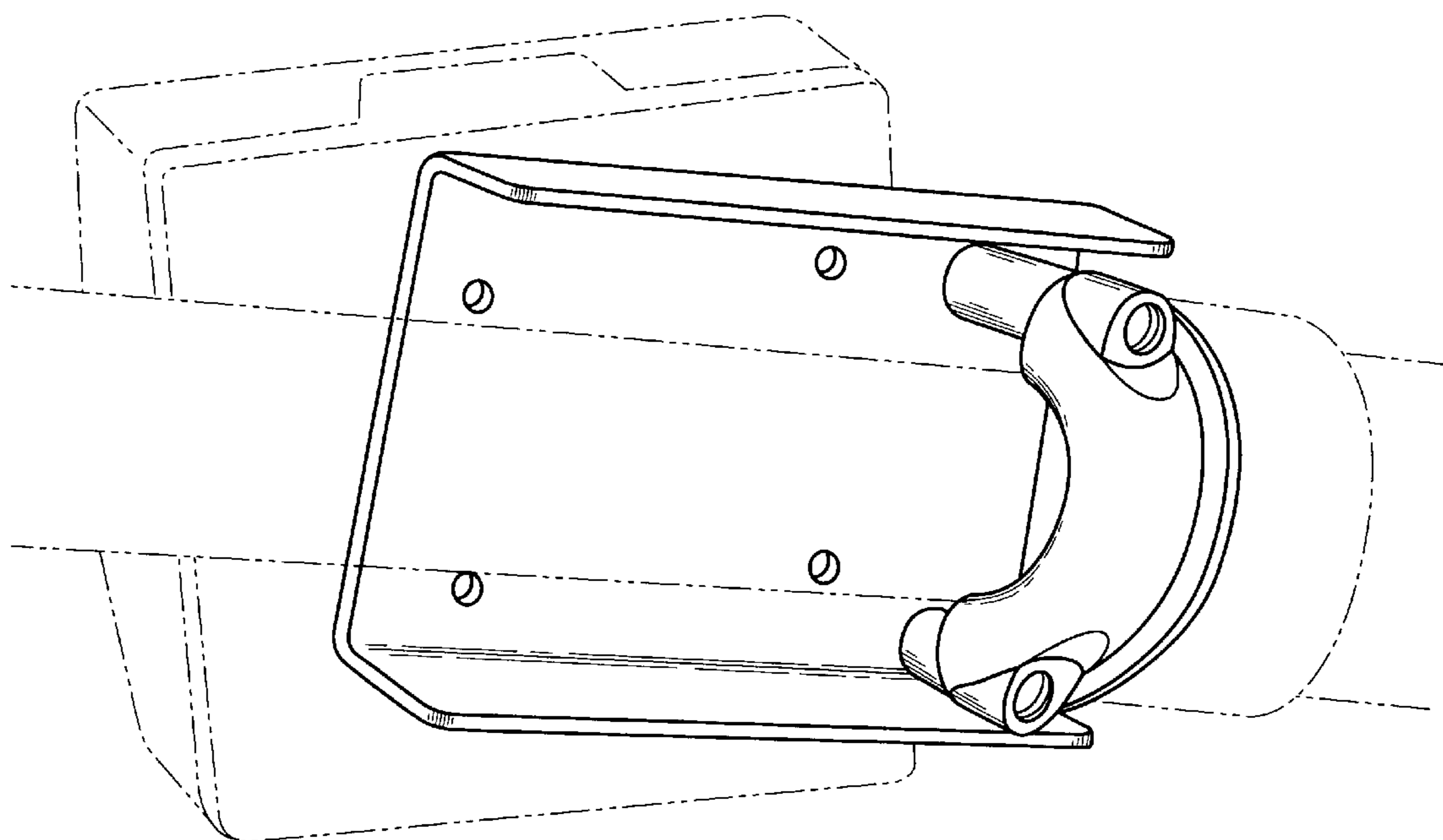
FIG. 6 is a top plan view thereof;

FIG. 7 is a bottom plan view thereof; and,

FIG. 8 is a front perspective view of my invention.

The broken lines in the Figures are illustrative of environmental structure only and form no part of the claimed design.

**1 Claim, 4 Drawing Sheets**



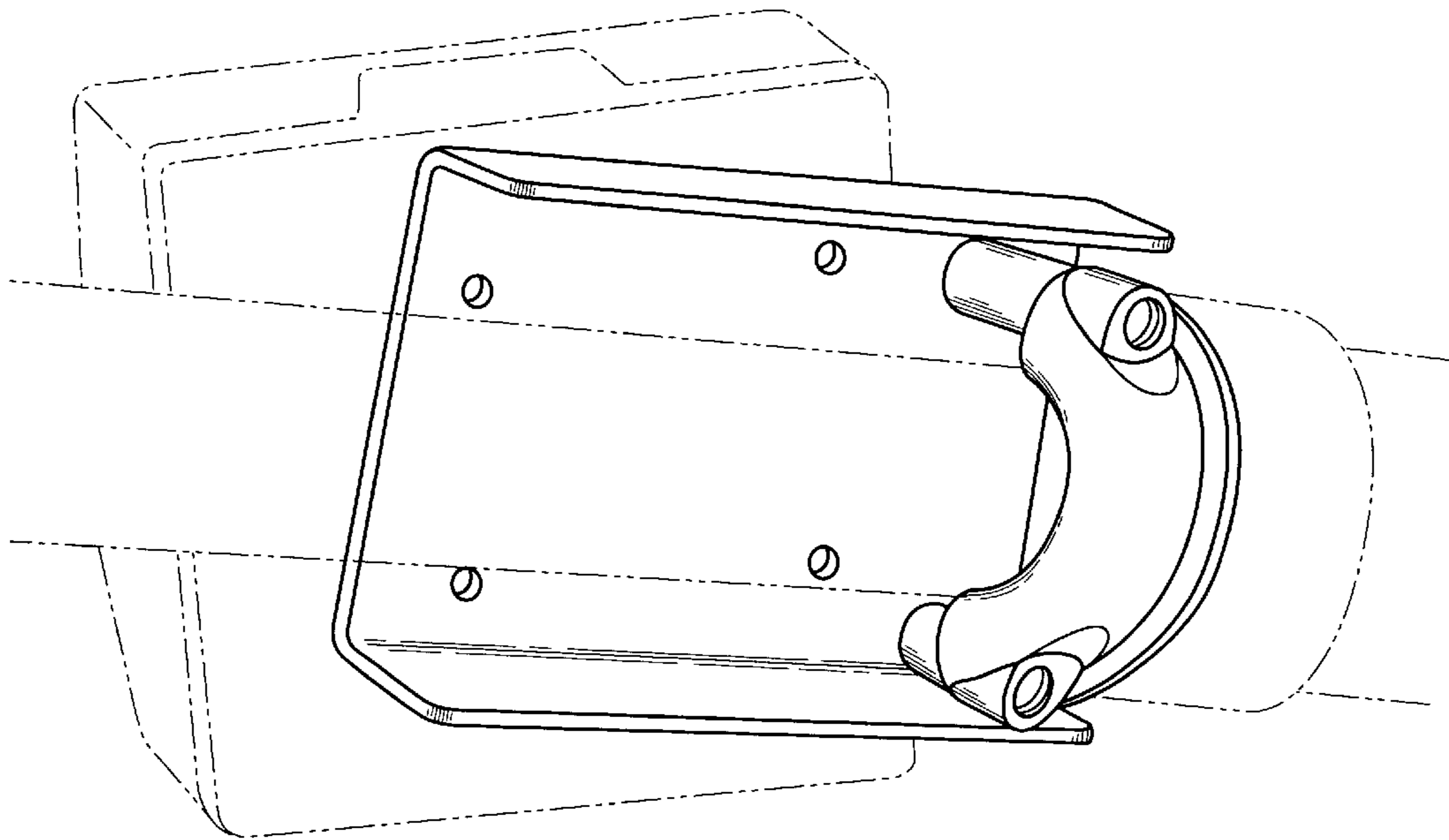


Fig. 1

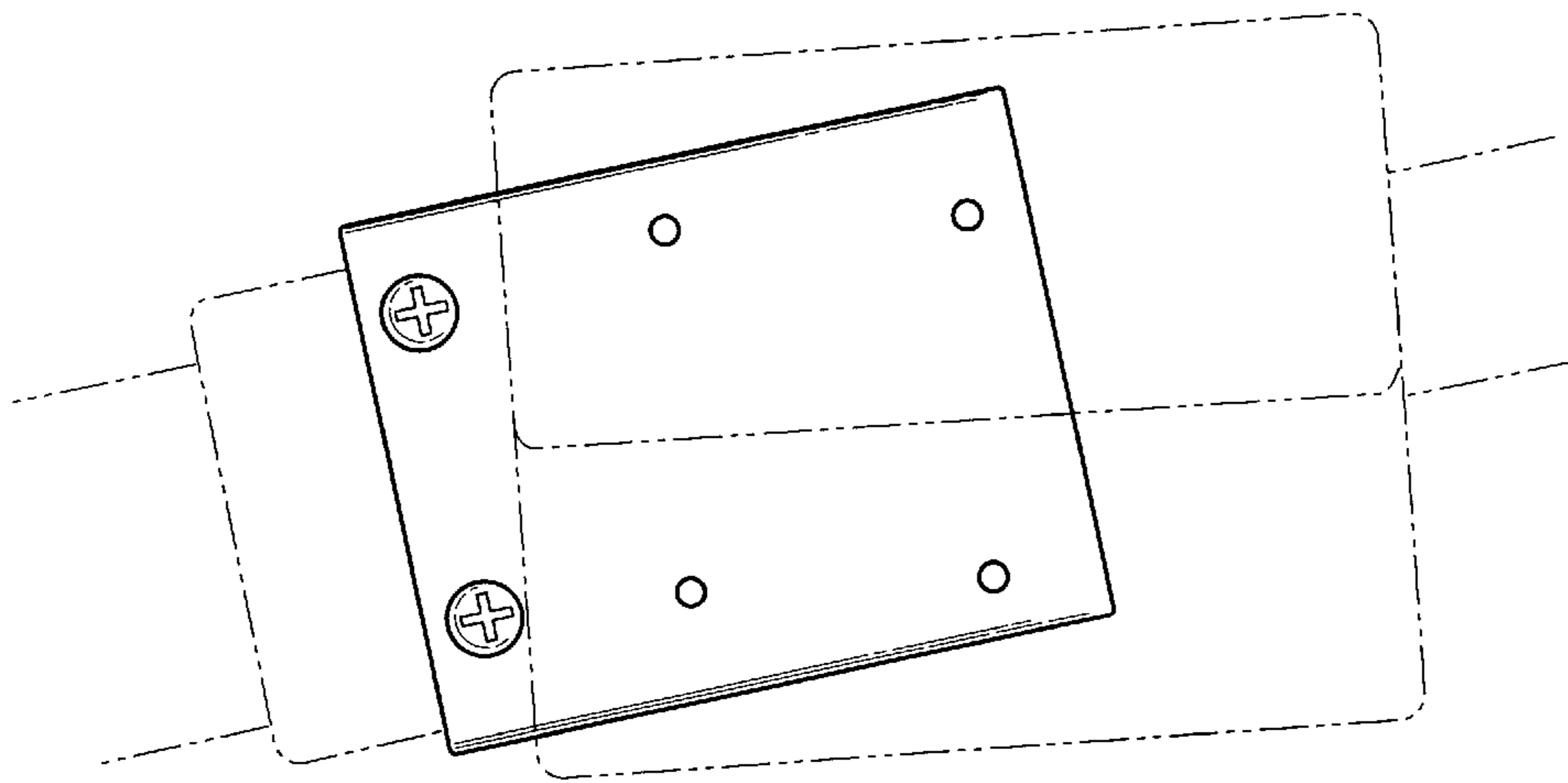


Fig. 2

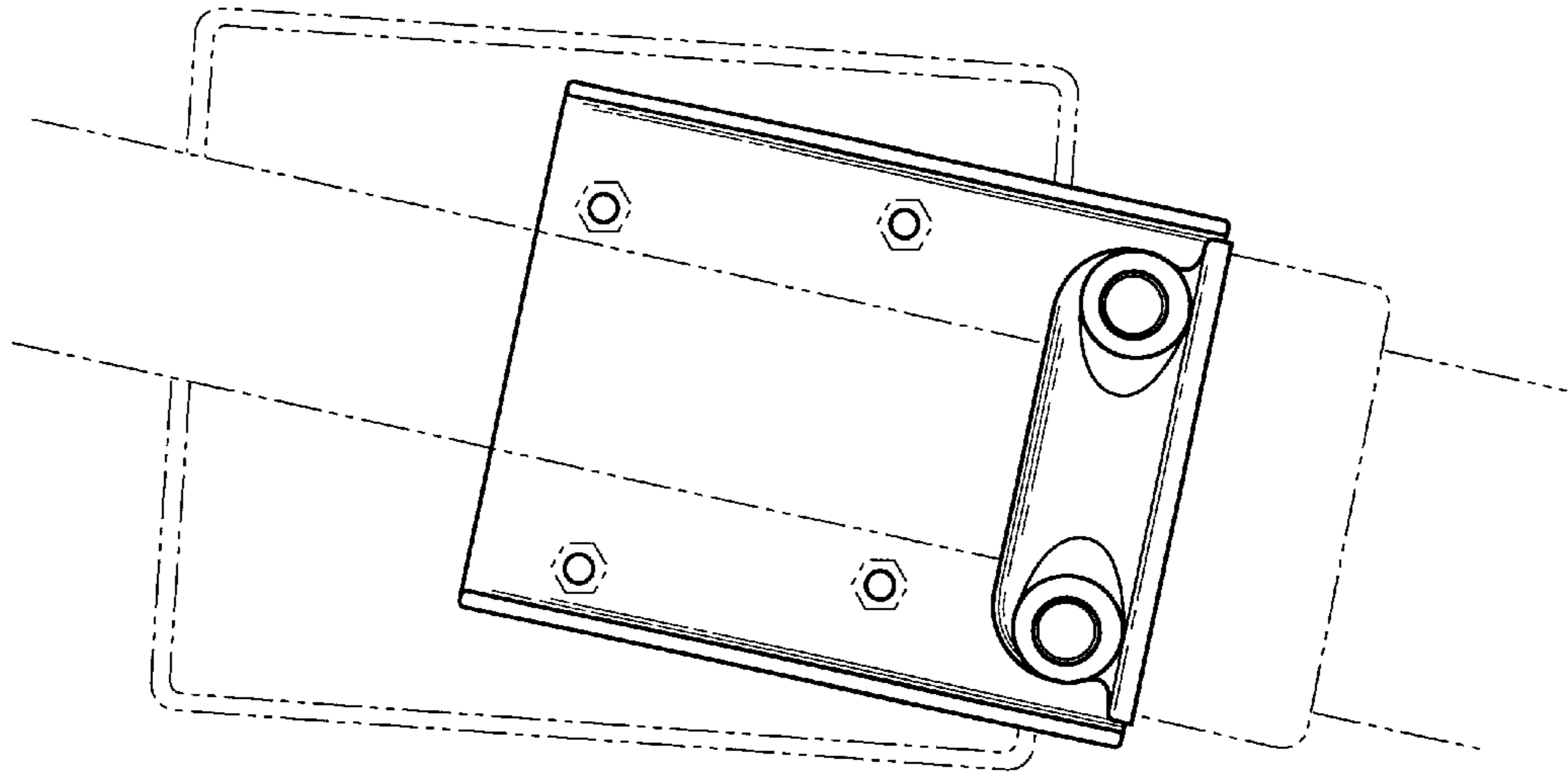


Fig. 3

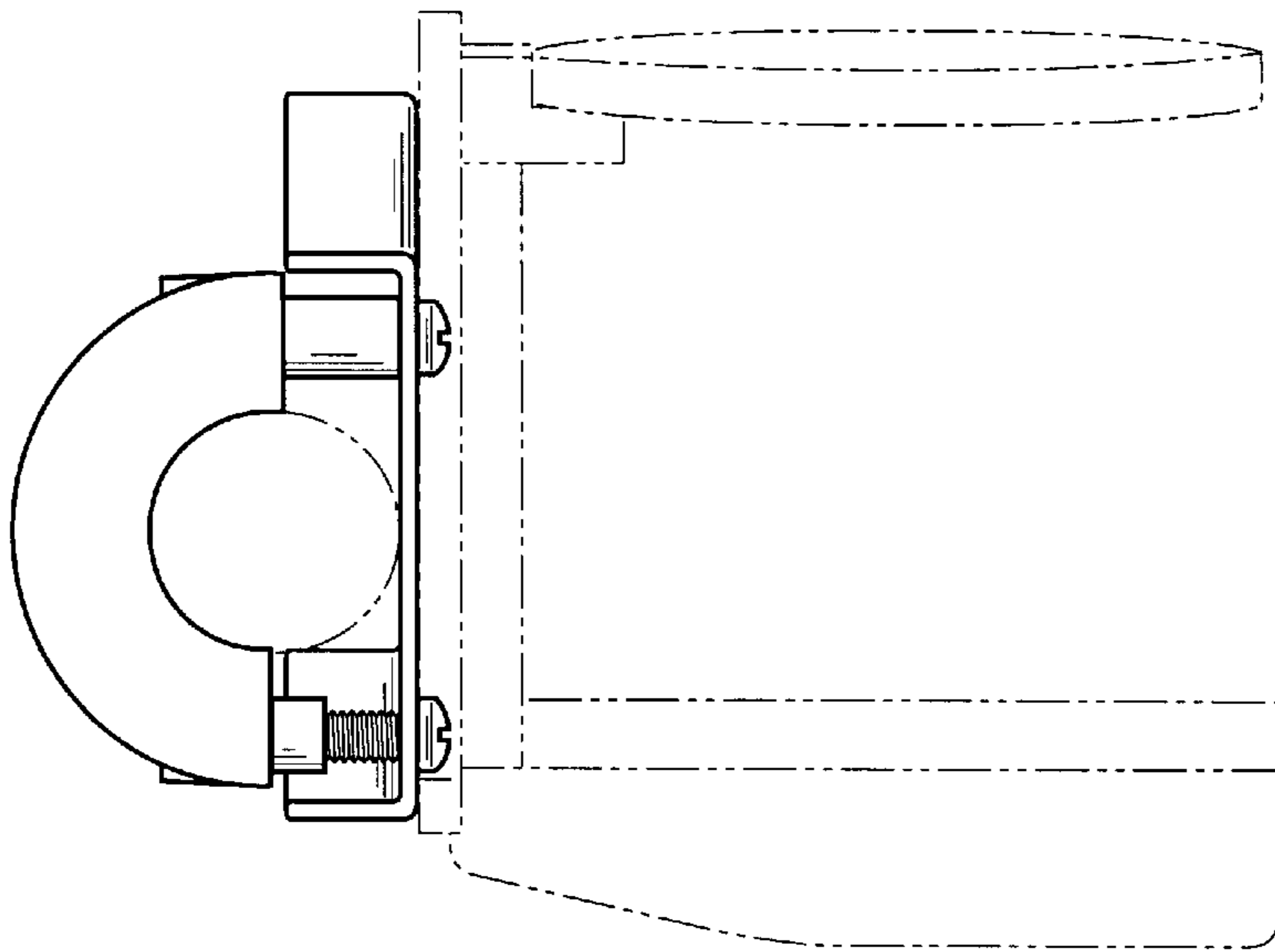


Fig. 4

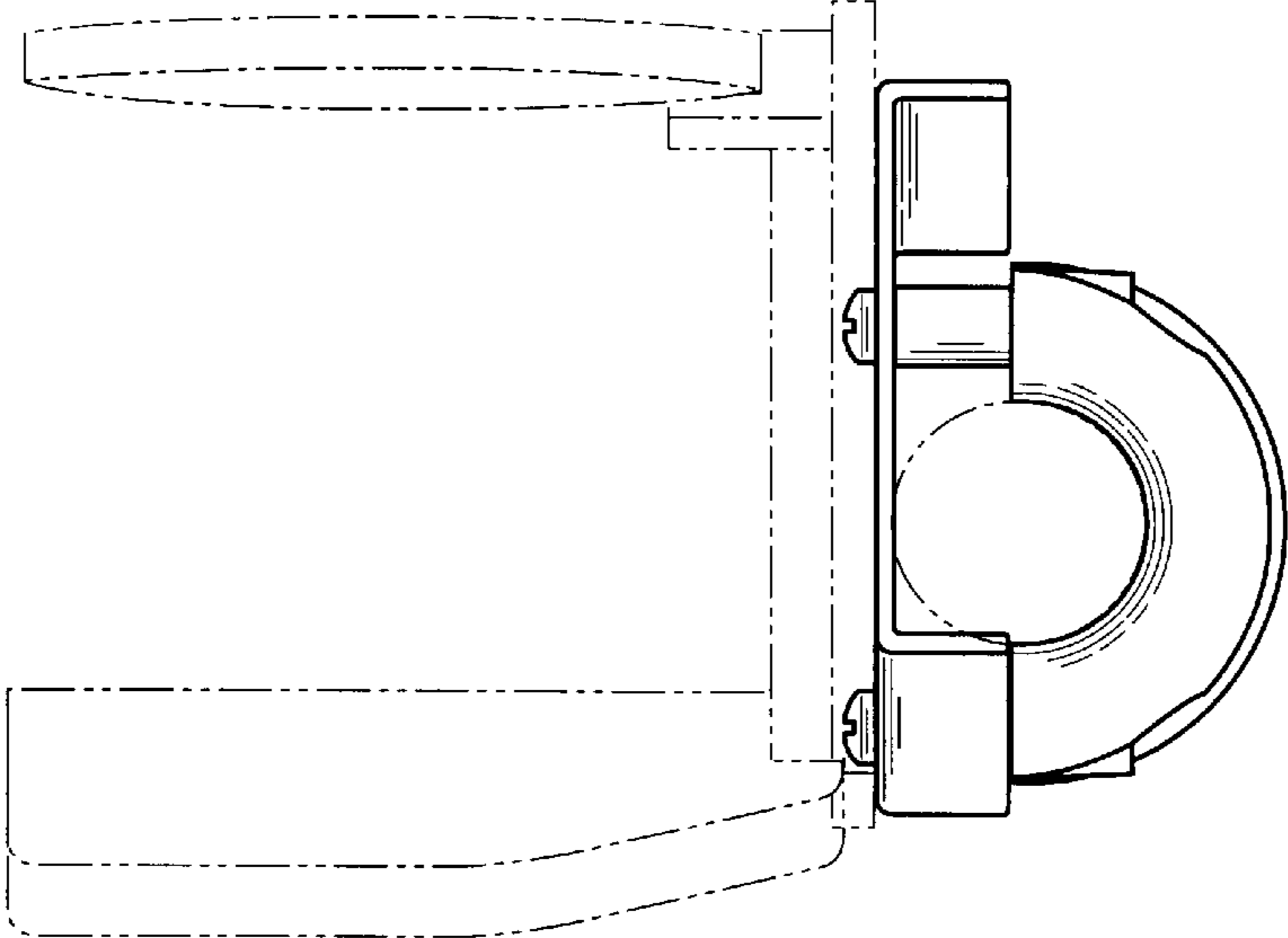


Fig. 5

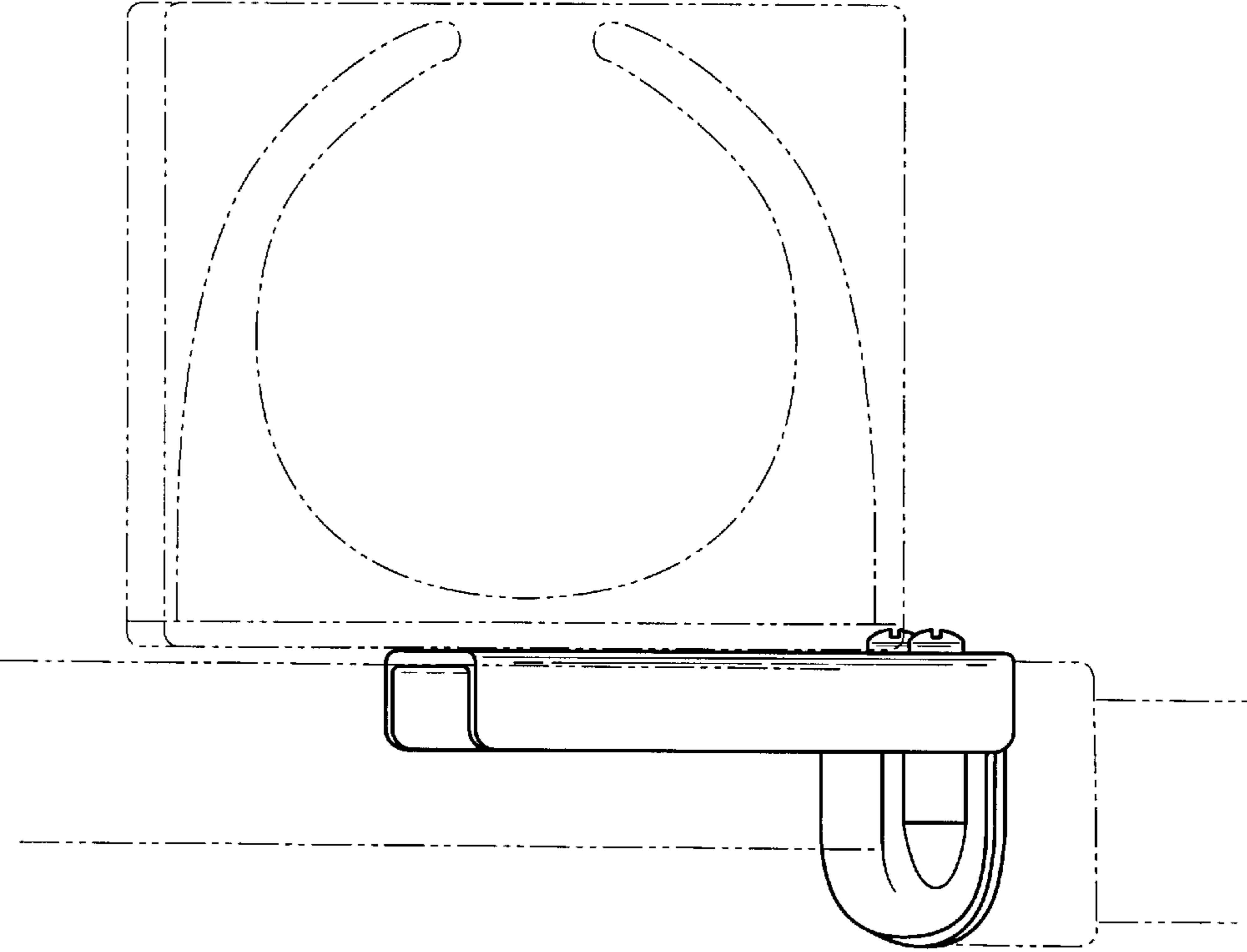


Fig. 6

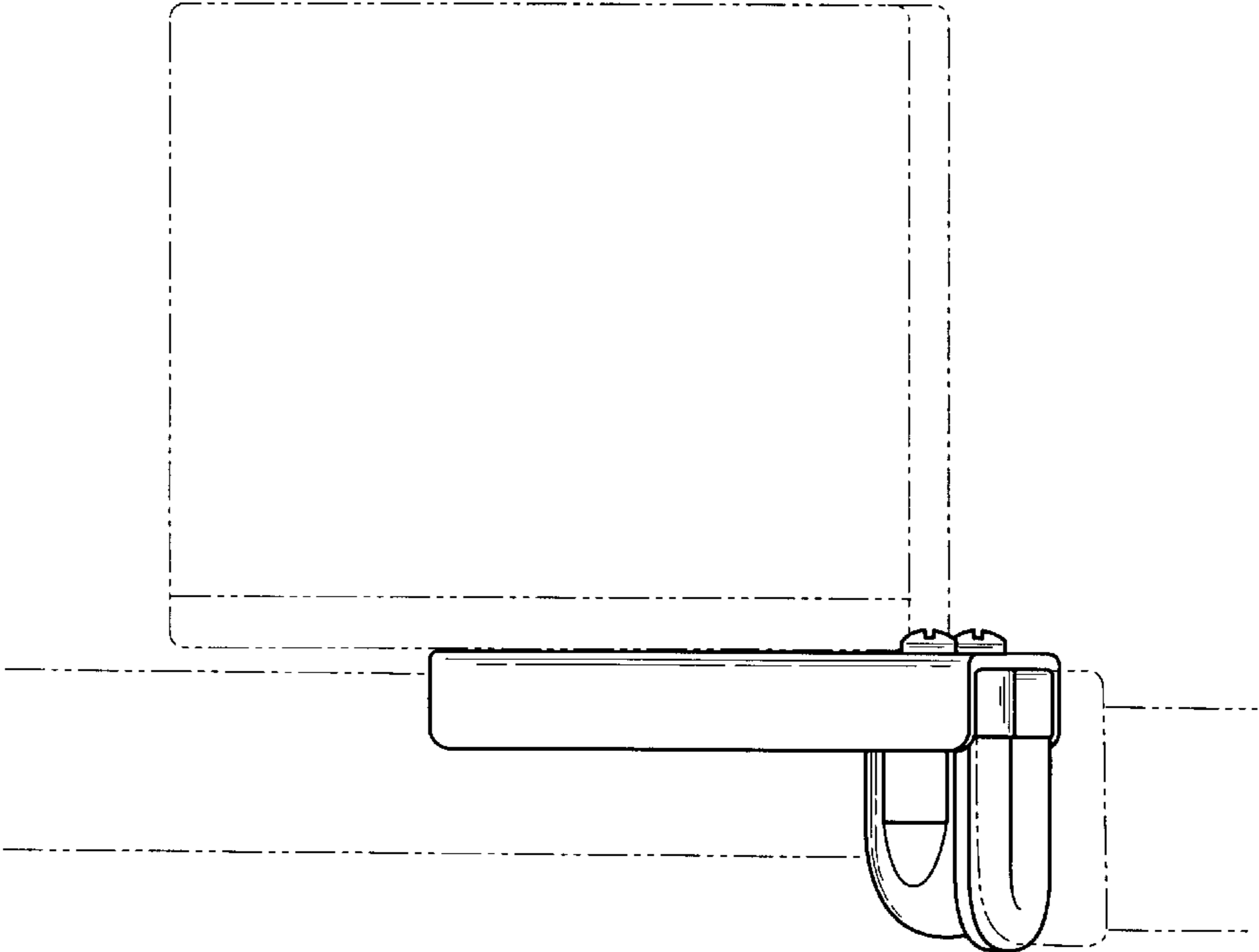


Fig. 7

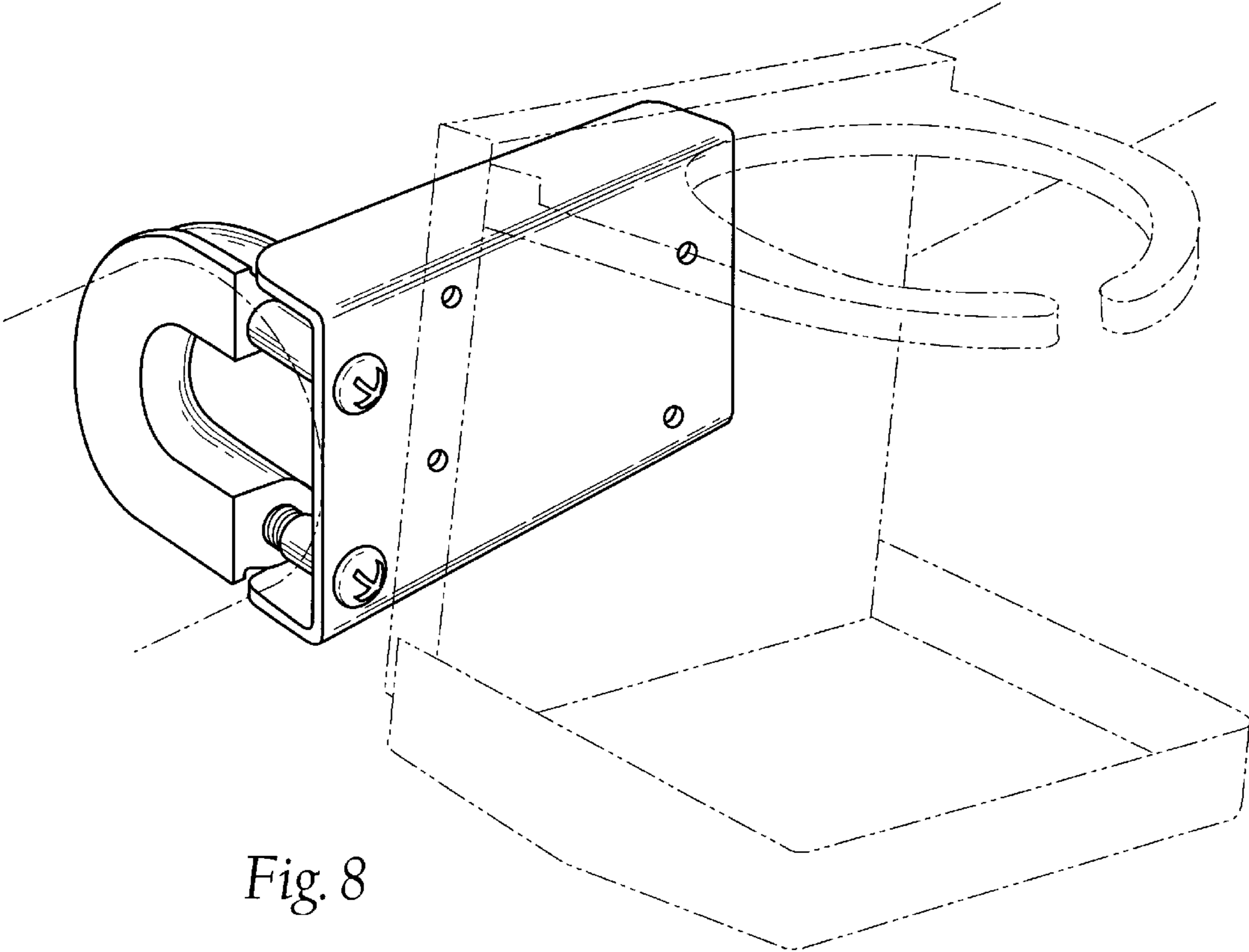


Fig. 8