



US00D537399S

(12) **United States Design Patent** (10) **Patent No.:** **US D537,399 S**
Riddle (45) **Date of Patent:** **** Feb. 27, 2007**

(54) **AUXILIARY STEP FOR MOBILE HOME AND RECREATIONAL VEHICLE TRAILER STEPS.**

Primary Examiner—Stacia Cadmus
 (74) *Attorney, Agent, or Firm*—Keith S. Bergman; William A. Jeckle

(76) Inventor: **Wayne I. Riddle**, 15968 N. Oneida St., Rathdrum, ID (US) 83858

(57) **CLAIM**

The ornamental design for an auxiliary step for mobile home and recreational vehicle trailer steps, as shown and described.

(**) Term: **14 Years**

(21) Appl. No.: **29/260,004**

(22) Filed: **May 19, 2006**

(51) **LOC (8) Cl.** **12-16**

(52) **U.S. Cl.** **D12/203**

(58) **Field of Classification Search** D12/203, D12/101, 106; D25/62, 63, 69; 238/14; 182/90–96; 280/416, 163–166, 414.1–414.3, 848; 296/162
 See application file for complete search history.

DESCRIPTION

FIG. 1 is an isometric view of auxiliary step for mobile home and recreational vehicle trailer stairs showing my design in its environment. The broken lines partially showing the mobile home or recreational vehicle trailer with stairs are for illustrative purposes only and form no part of the claimed design.

FIG. 2 is an enlarged isometric view showing the auxiliary step for mobile home and recreational vehicle trailer stairs removed from the stairs with the lowermost stair folded upon the upwardly adjacent stair. The broken lines showing the mobile home and recreational vehicle trailer stairs are for illustrative purposes only and form no part of the claimed design.

FIG. 3 is an isometric view of the auxiliary step for mobile home and recreational vehicle trailer stairs.

FIG. 4 is a top view of FIG. 3.

FIG. 5 is a bottom view of FIG. 3.

FIG. 6 is a rear view of FIG. 3.

FIG. 7 is a front view of FIG. 3.

FIG. 8 is a right side view of FIG. 3; and,

FIG. 9 is a left side view of FIG. 3.

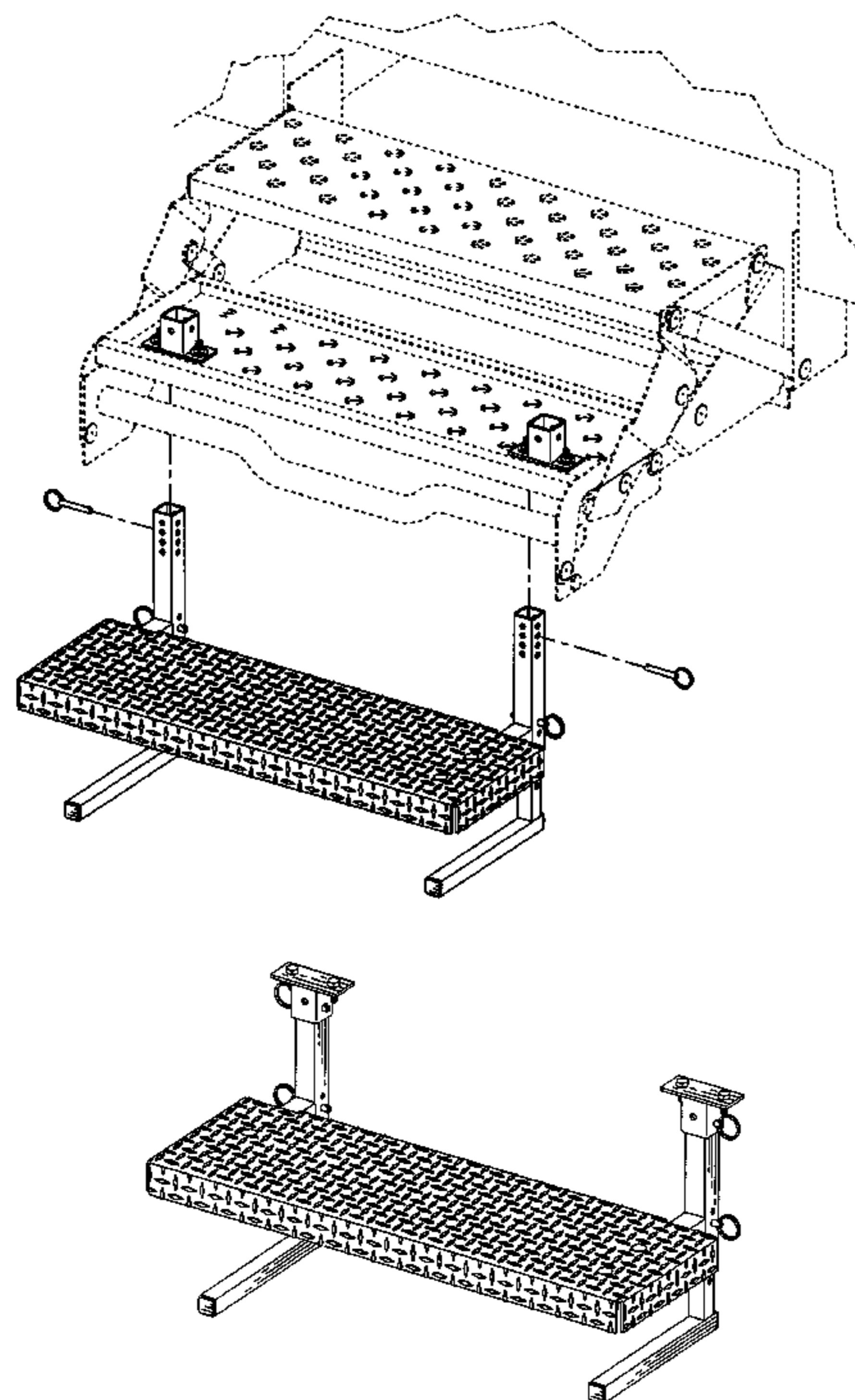
(56) **References Cited**

U.S. PATENT DOCUMENTS

D214,558 S *	7/1969	Mulford	D25/63
3,756,622 A *	9/1973	Pyle et al.	280/166
3,897,084 A *	7/1975	Bergskoog	280/166
4,108,457 A *	8/1978	Garrett	280/166
4,159,122 A *	6/1979	Stevens	280/166
D296,321 S *	6/1988	Hayes	D12/203
5,456,479 A *	10/1995	Conger	280/165
D371,336 S *	7/1996	Wilson	D12/203
5,876,051 A *	3/1999	Sage, Sr.	280/166
5,941,342 A *	8/1999	Lee	182/95
6,082,751 A *	7/2000	Hanes et al.	280/163
D448,335 S *	9/2001	Ehnes	D12/203
6,655,706 B1 *	12/2003	Murrell	280/166

* cited by examiner

1 Claim, 5 Drawing Sheets



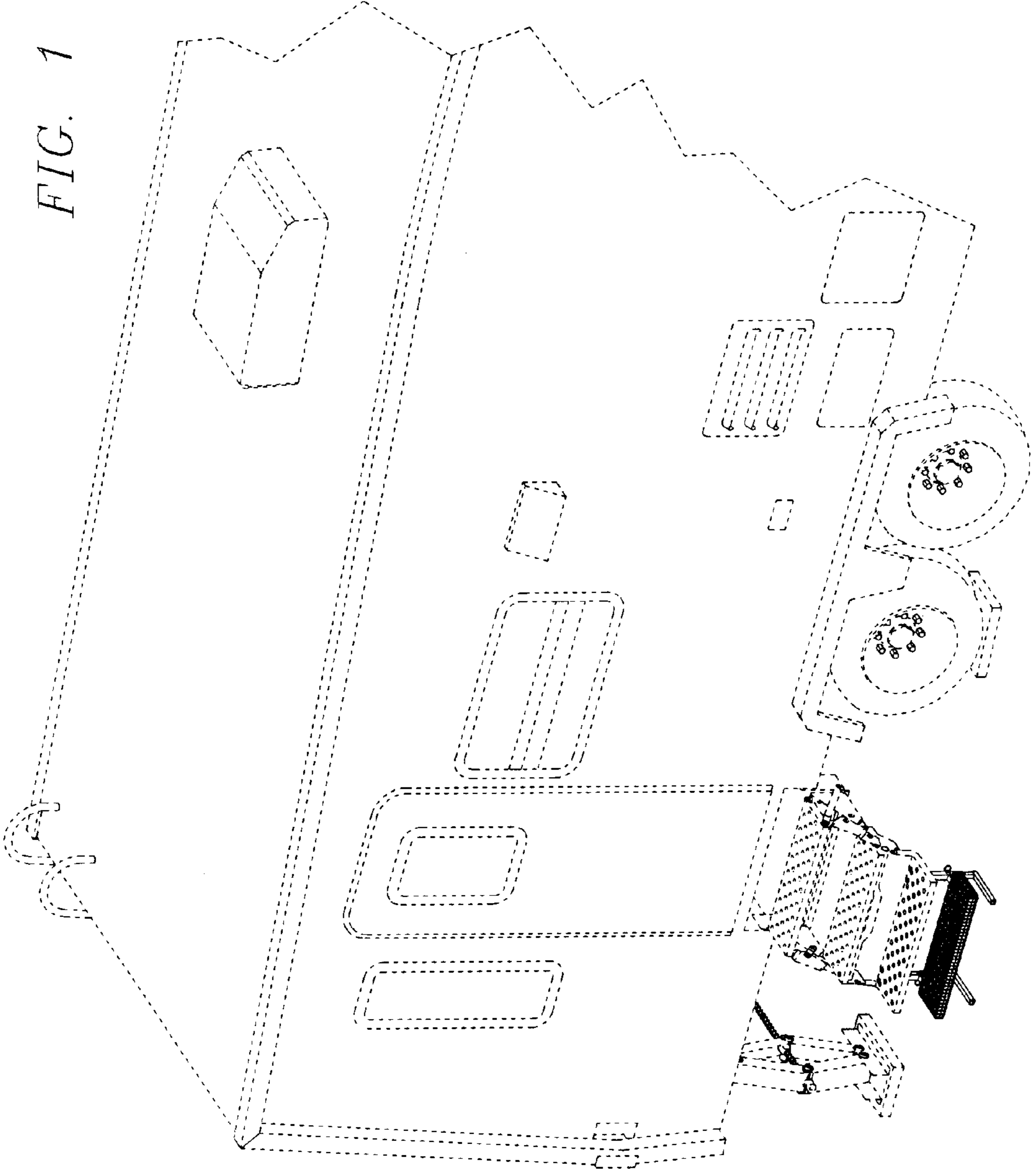


FIG. 2

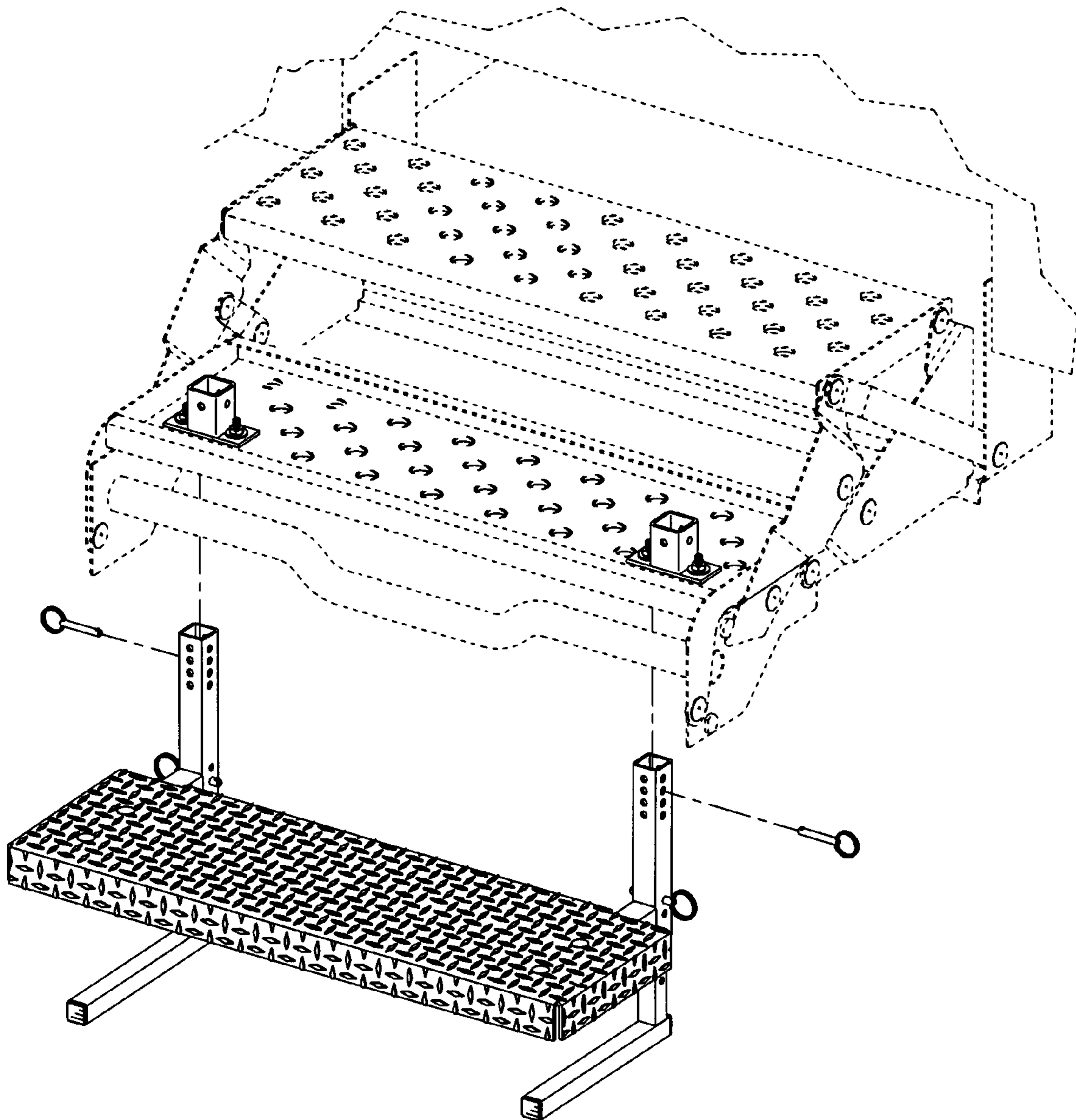


FIG. 3

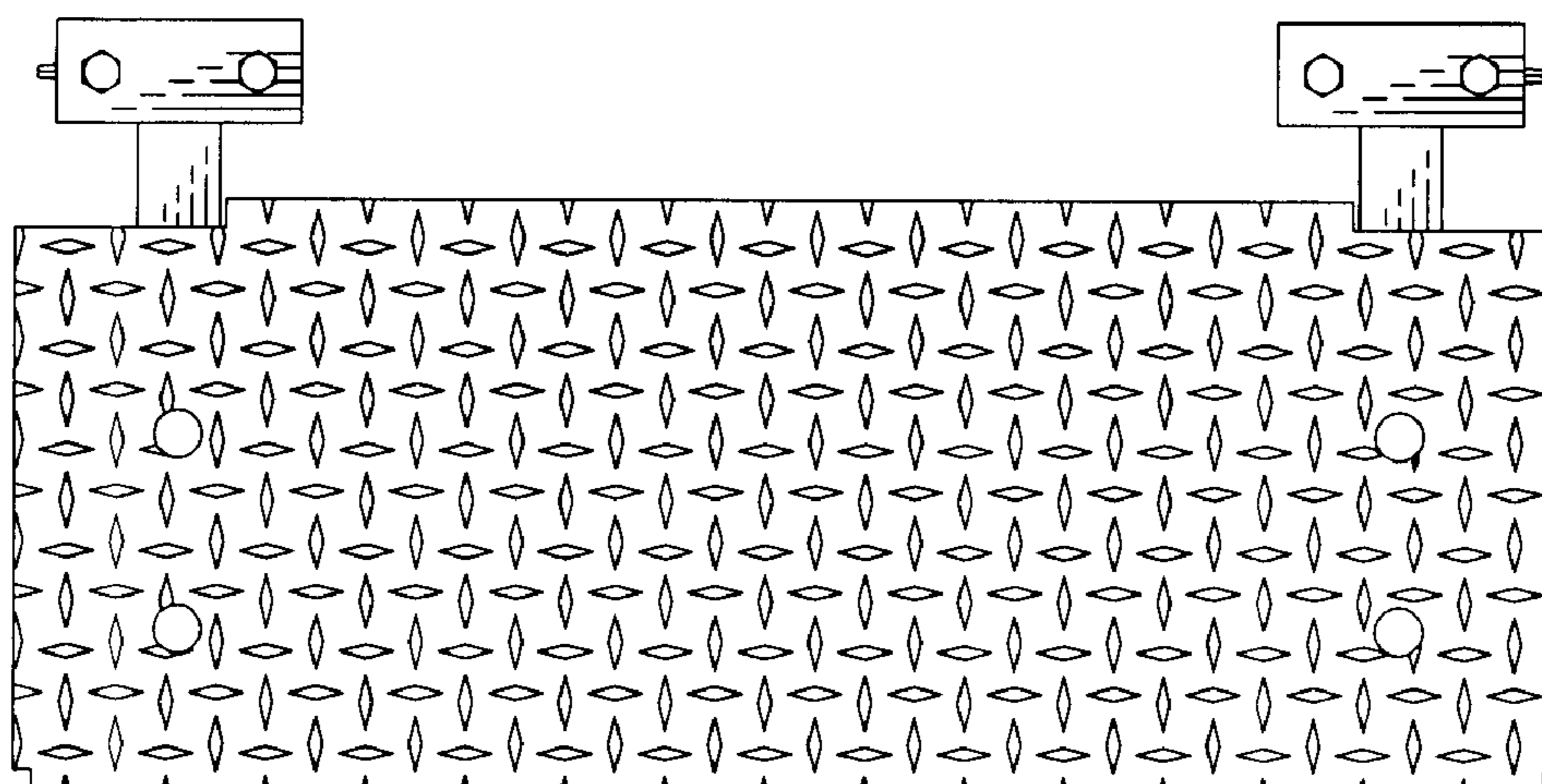
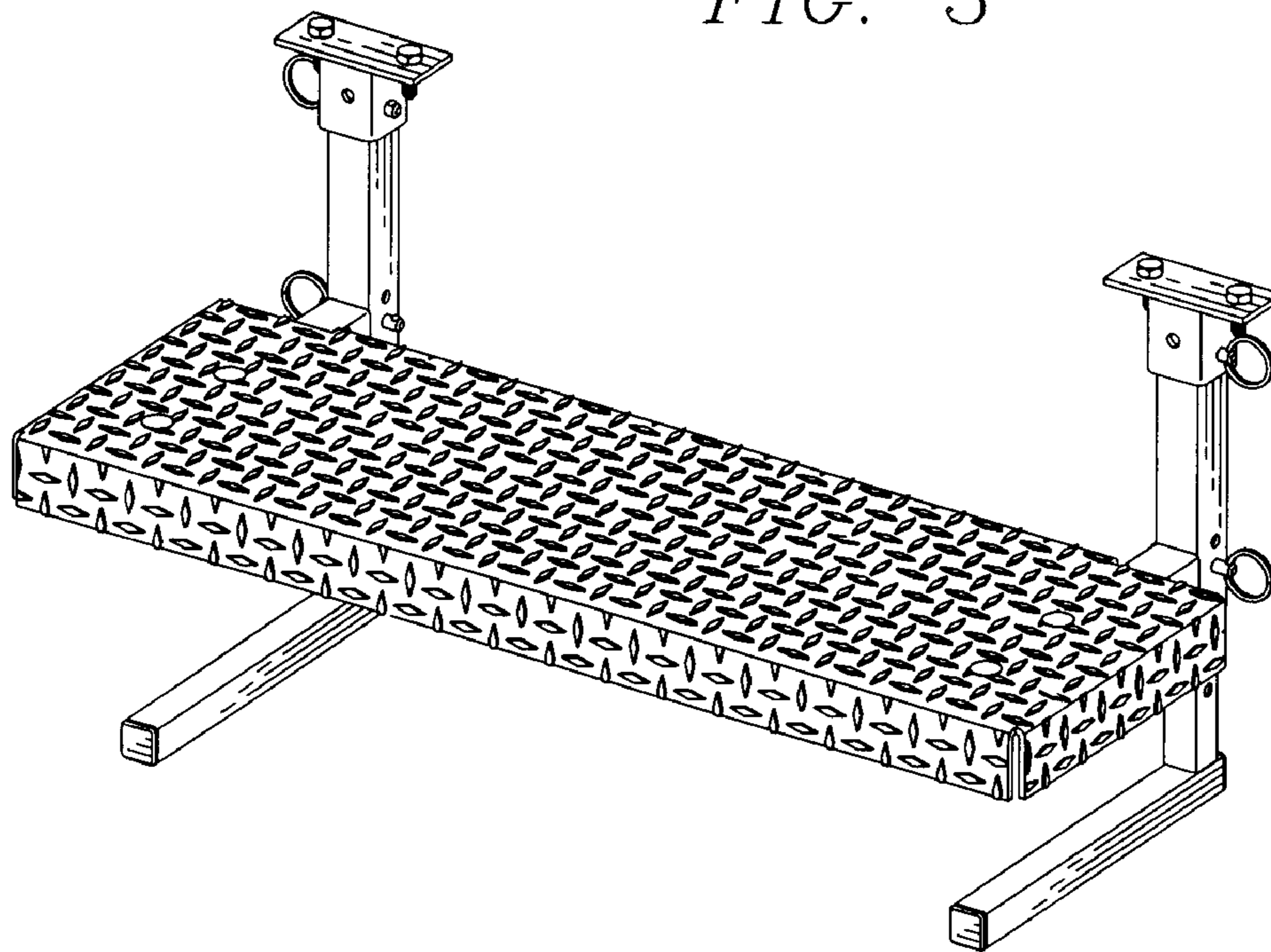


FIG. 4

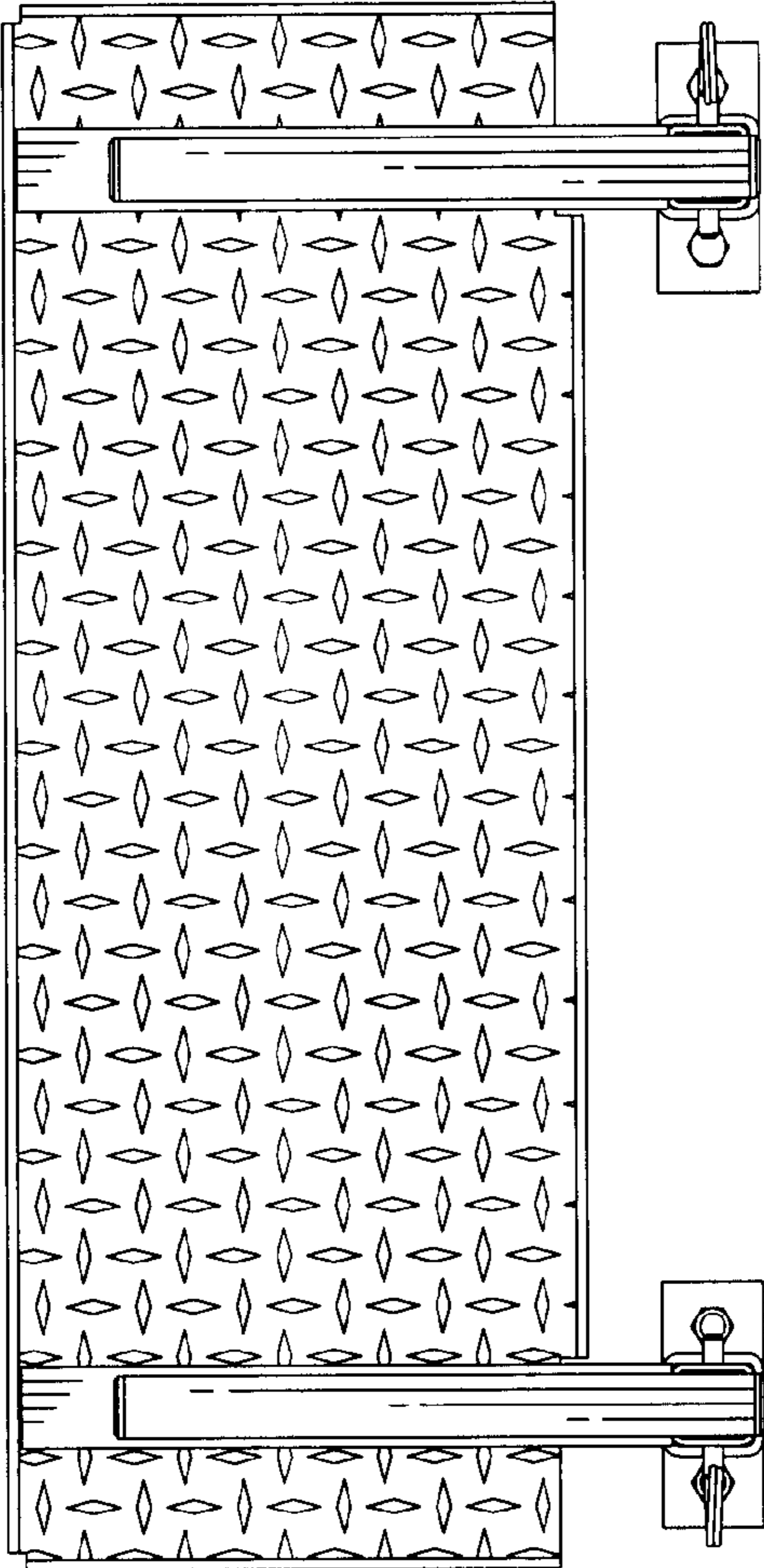


FIG. 5

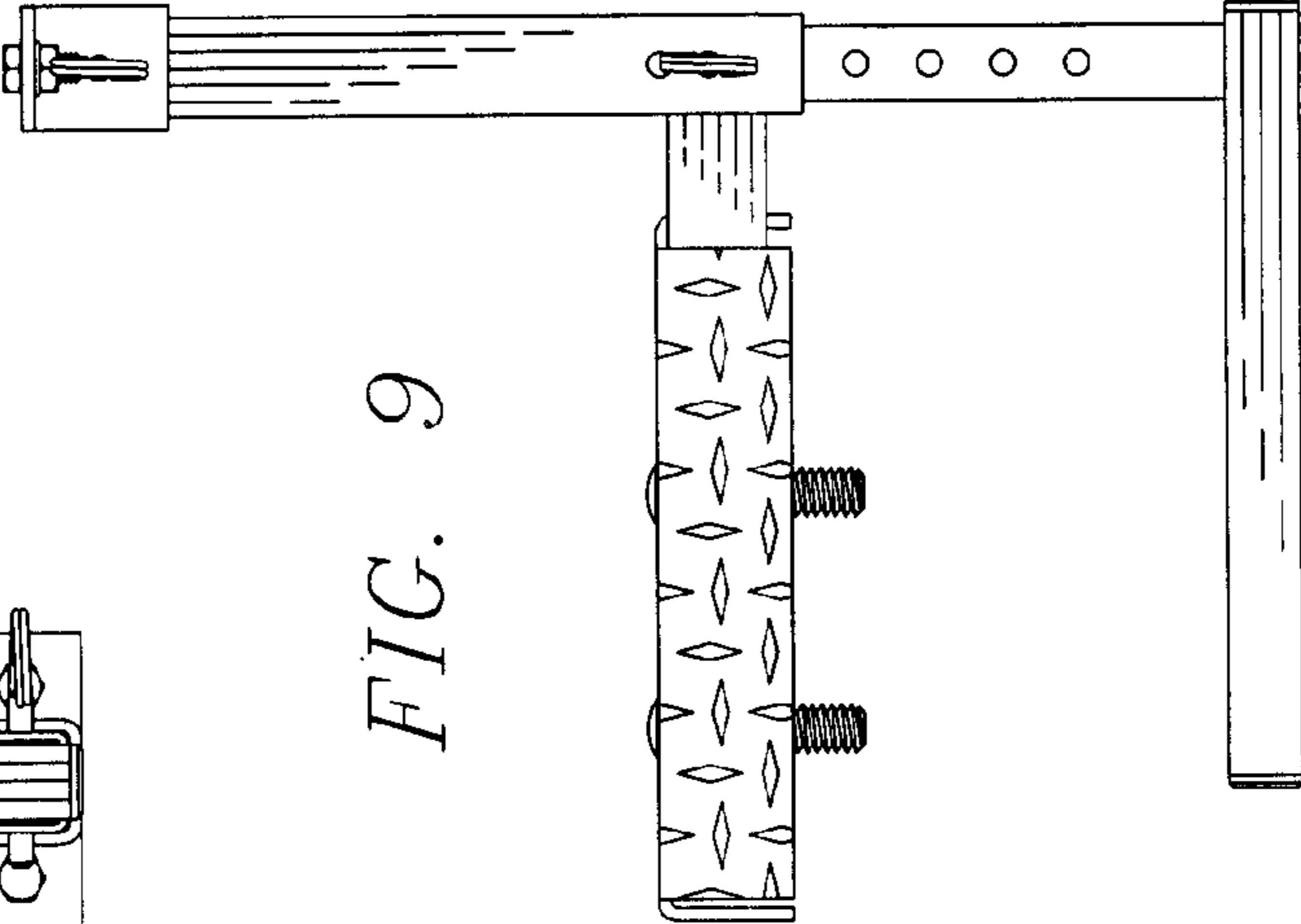


FIG. 9

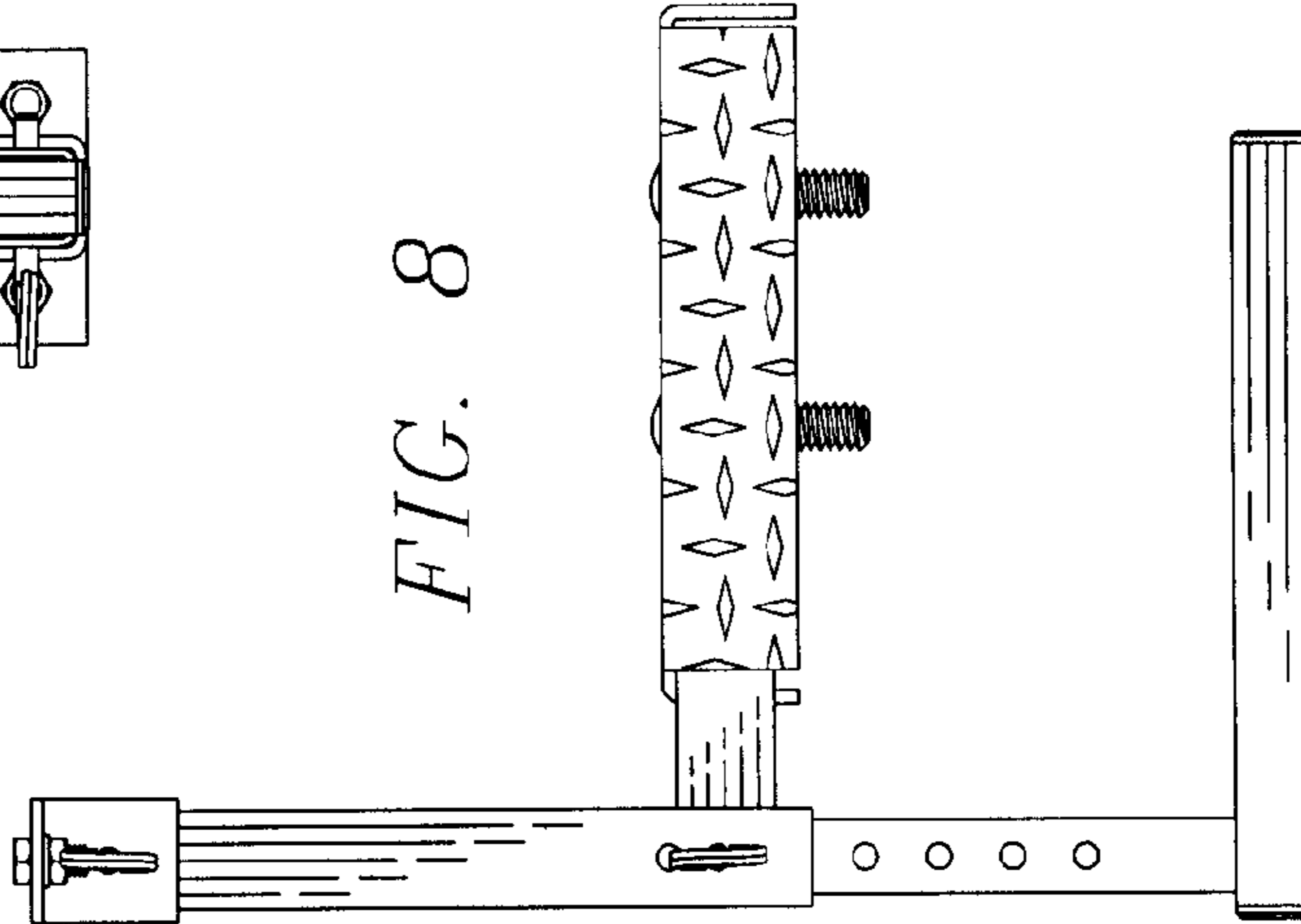


FIG. 8

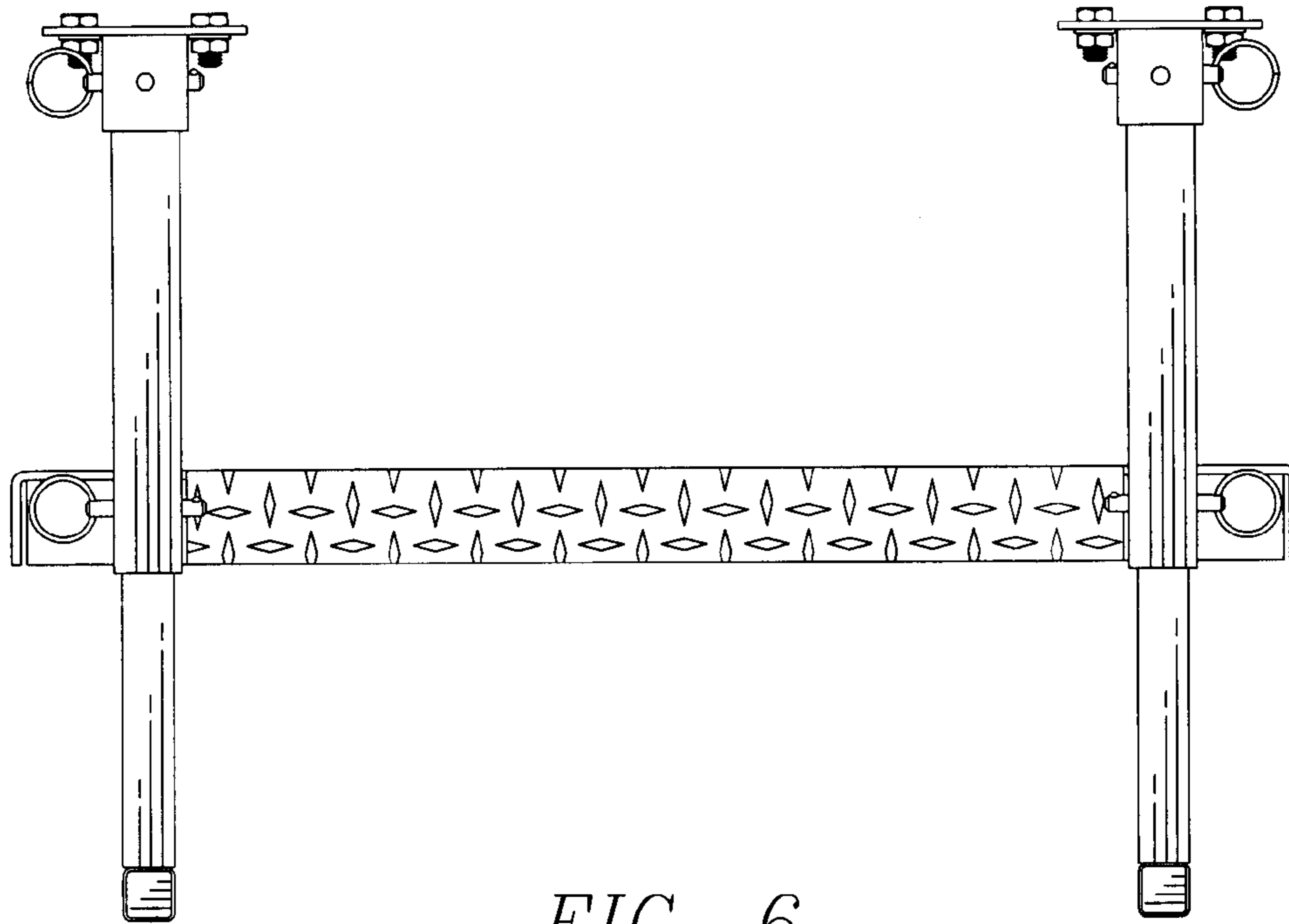


FIG. 6

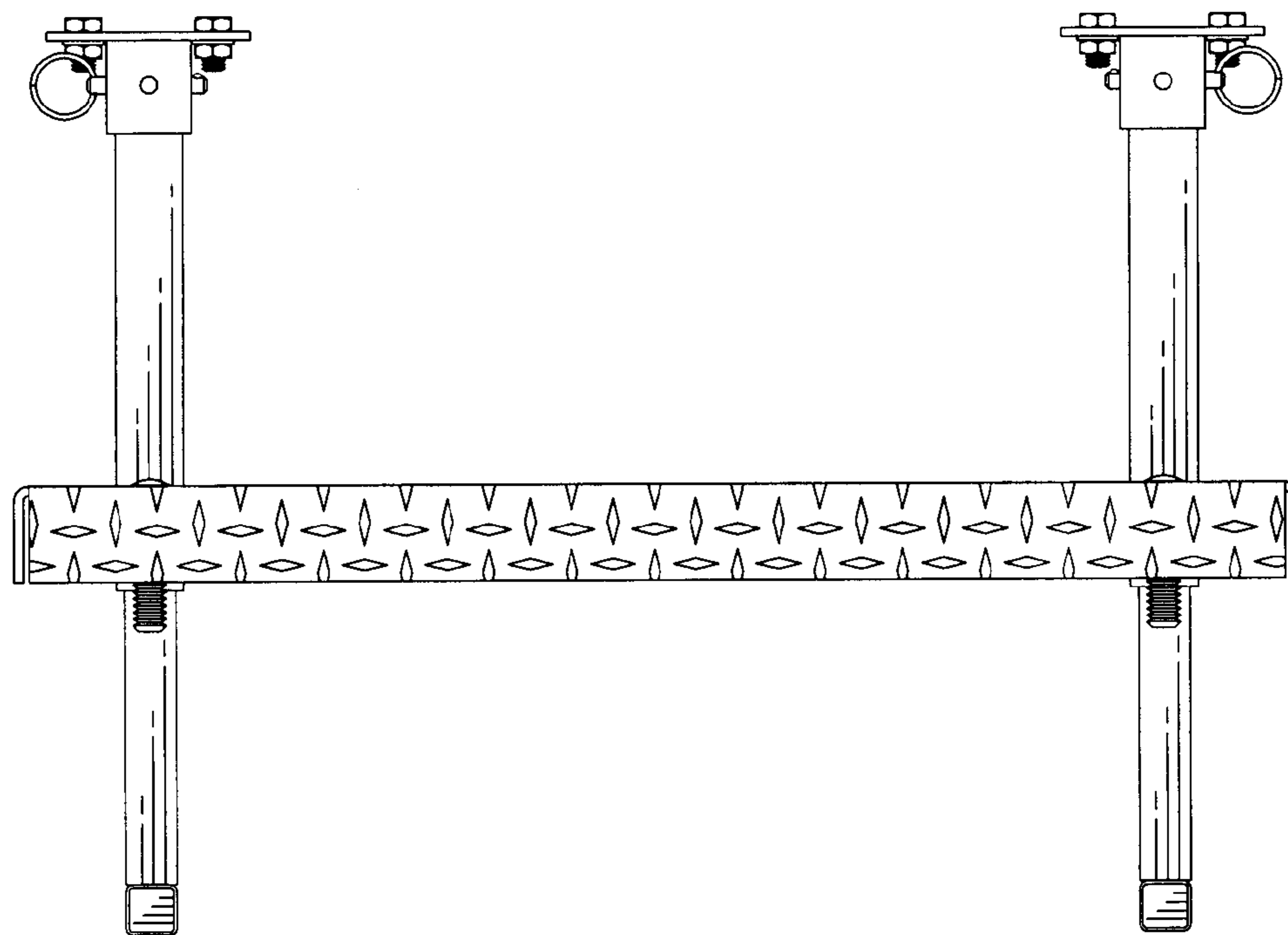


FIG. 7