



US00D537398S

(12) **United States Design Patent**
Levey et al.

(10) **Patent No.:** **US D537,398 S**

(45) **Date of Patent:** **** Feb. 27, 2007**

(54) **FUEL DOOR**

(75) Inventors: **Kenneth R. Levey**, West Chicago, IL (US); **Eric G. Parker**, Winnetka, IL (US); **Franco A. Cisternino**, Deerfield, IL (US)

(73) Assignee: **Illinois Tool Works Inc.**, Glenview, IL (US)

(**) Term: **14 Years**

(21) Appl. No.: **29/230,413**

(22) Filed: **May 20, 2005**

(51) **LOC (8) Cl.** **12-16**

(52) **U.S. Cl.** **D12/197**

(58) **Field of Classification Search** D12/197, D12/110, 114, 198, 218, 201; D7/398, 598, D7/619; D8/107-108, 310-312; D9/443-444, D9/451-454, 435, 201; 220/235, 288, 86.1-86.3, 220/12, 32-33, 203.4, DIG. 5, 200, 304, 220/DIG. 33; 411/349, 553, 411, 300; 280/830, 280/833, 835; D23/260; D15/150; 137/592; 141/383, 312, 301; 251/129.03

See application file for complete search history.

(56) **References Cited**

U.S. PATENT DOCUMENTS

D146,750 S * 5/1947 Sidell D12/197

2,801,767 A * 8/1957 Mariani 220/86.2
D202,417 S * 9/1965 Hart D12/197
5,931,206 A * 8/1999 Simdon et al. 141/312
6,206,339 B1 * 3/2001 Parker et al. 251/129.03
6,446,685 B2 * 9/2002 Stiegler et al. 141/301
D506,426 S * 6/2005 Quast D12/197

* cited by examiner

Primary Examiner—Stacia Cadmus

(74) *Attorney, Agent, or Firm*—Mark W. Croll; Paul F. Donovan

(57) **CLAIM**

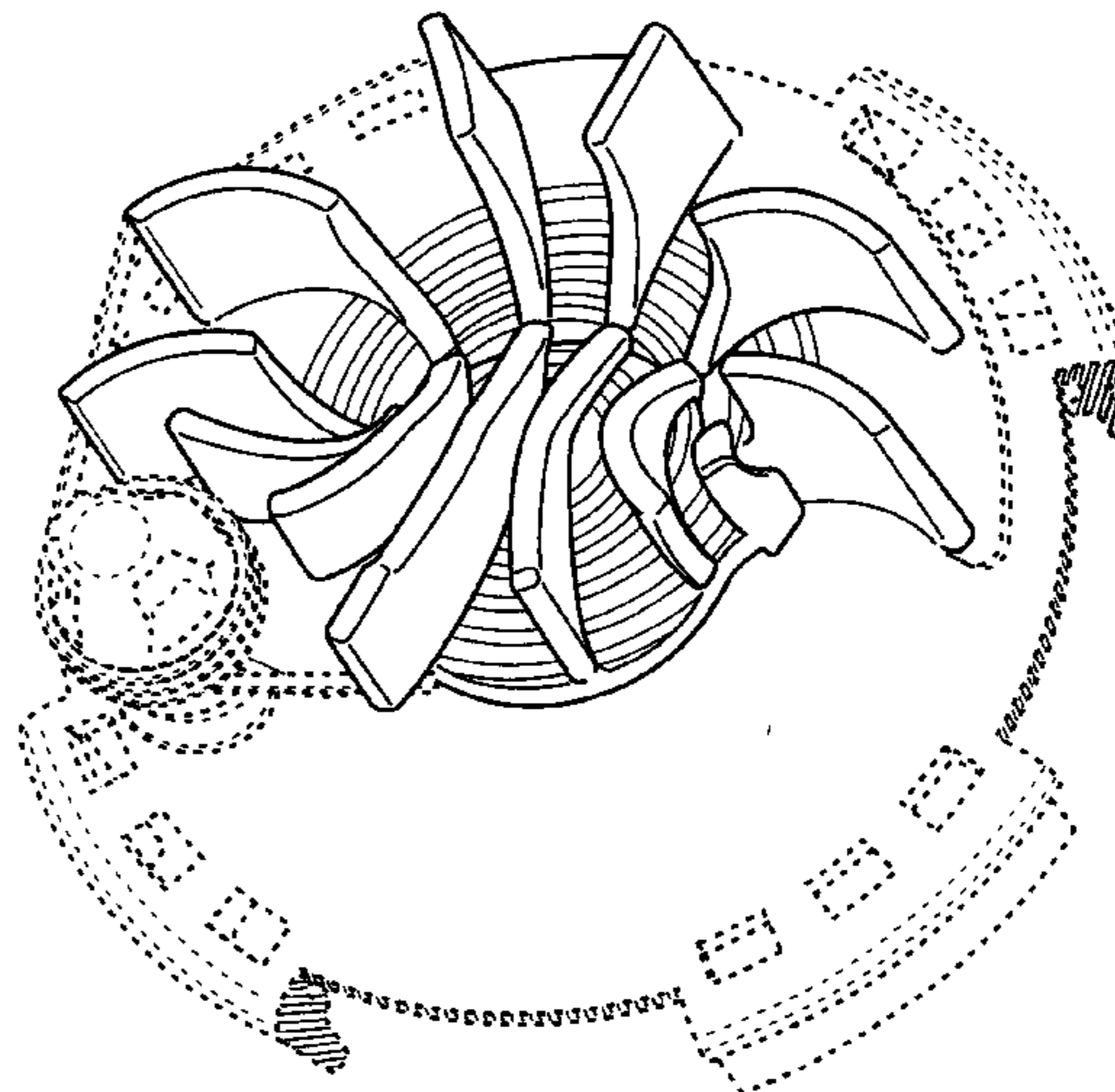
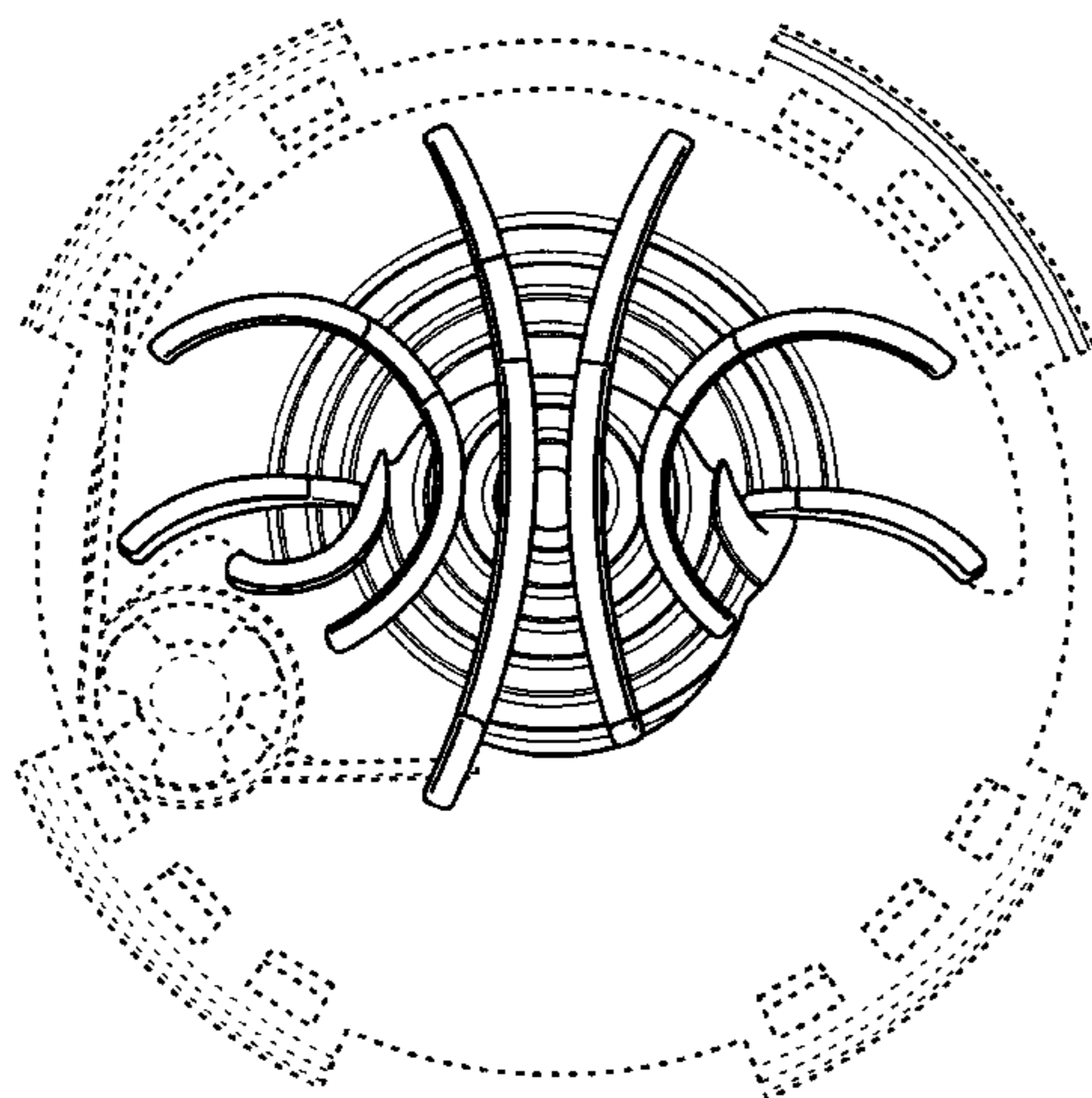
The ornamental design for a fuel door, as shown and described.

DESCRIPTION

FIG. 1 is a top view of a fuel door showing the new design; FIG. 2 is a side view thereof; FIG. 3 is another side view thereof; FIG. 4 is yet another side view thereof; FIG. 5 is a further side view thereof; FIG. 6 is a perspective view thereof; FIG. 7 is another perspective view thereof; FIG. 8 is yet another perspective view thereof; and, FIG. 9 is a further perspective view thereof.

The broken line portions of the disclosure are for illustrative purposes only and form no part of the claimed design.

1 Claim, 9 Drawing Sheets



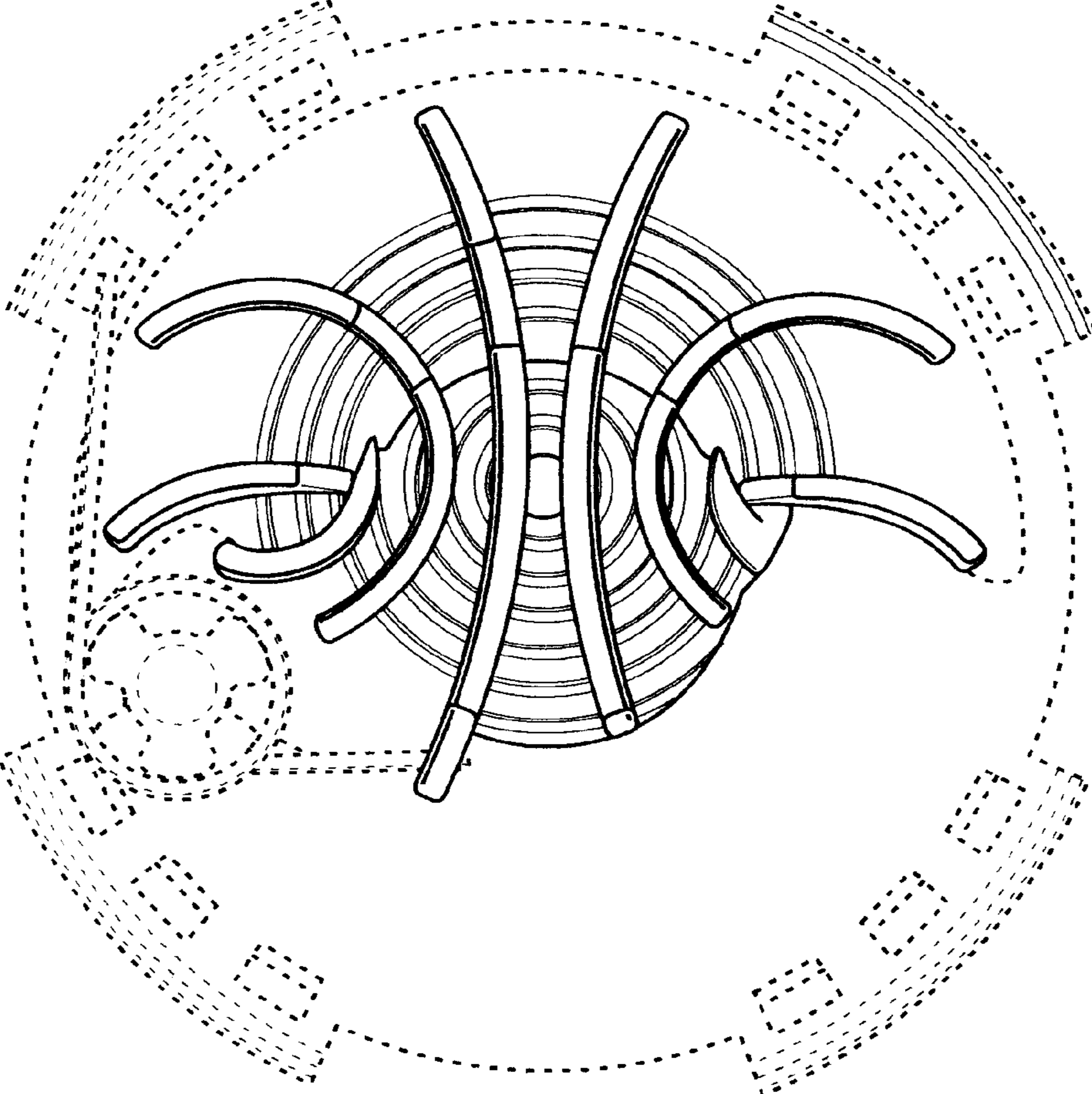


Fig. 1

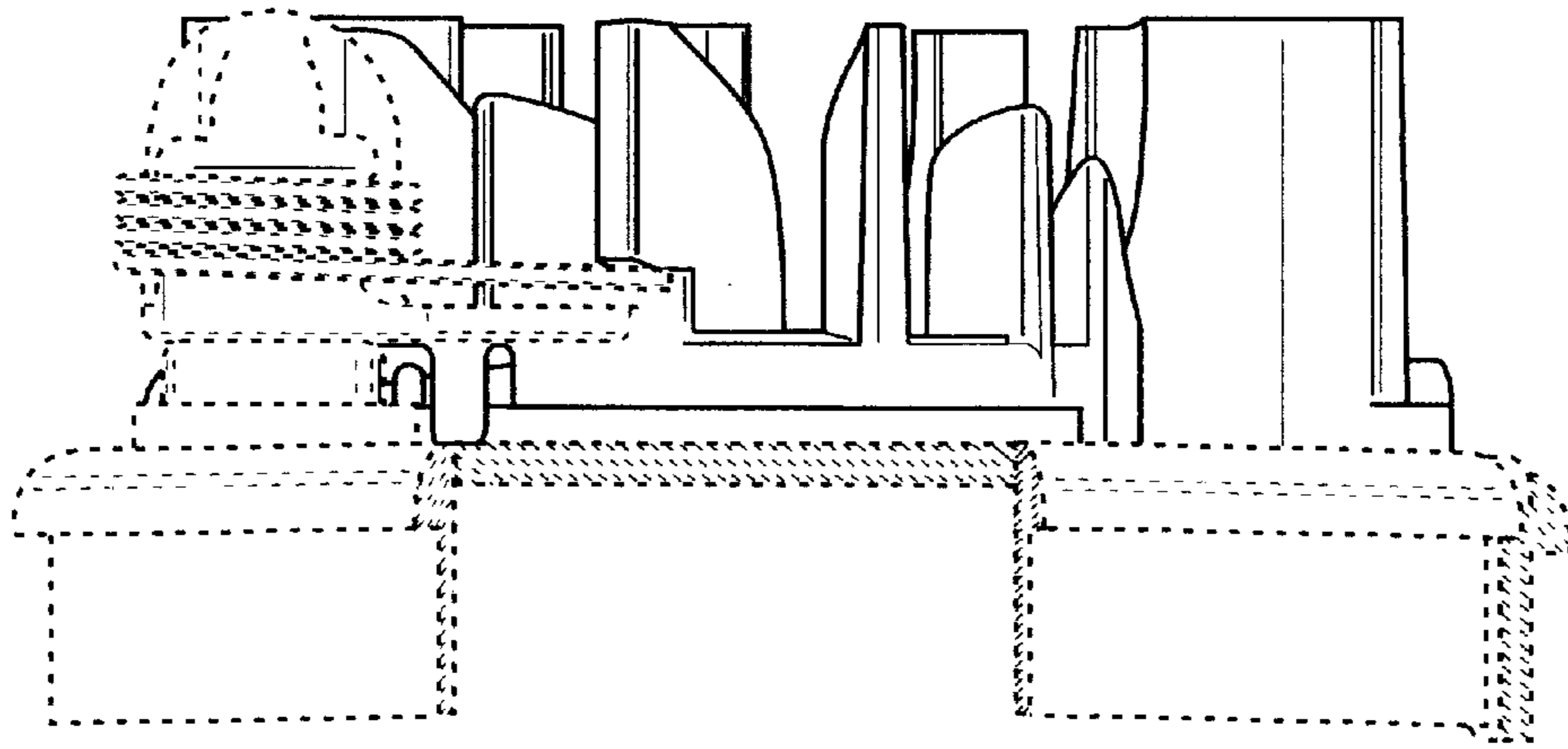


Fig. 2

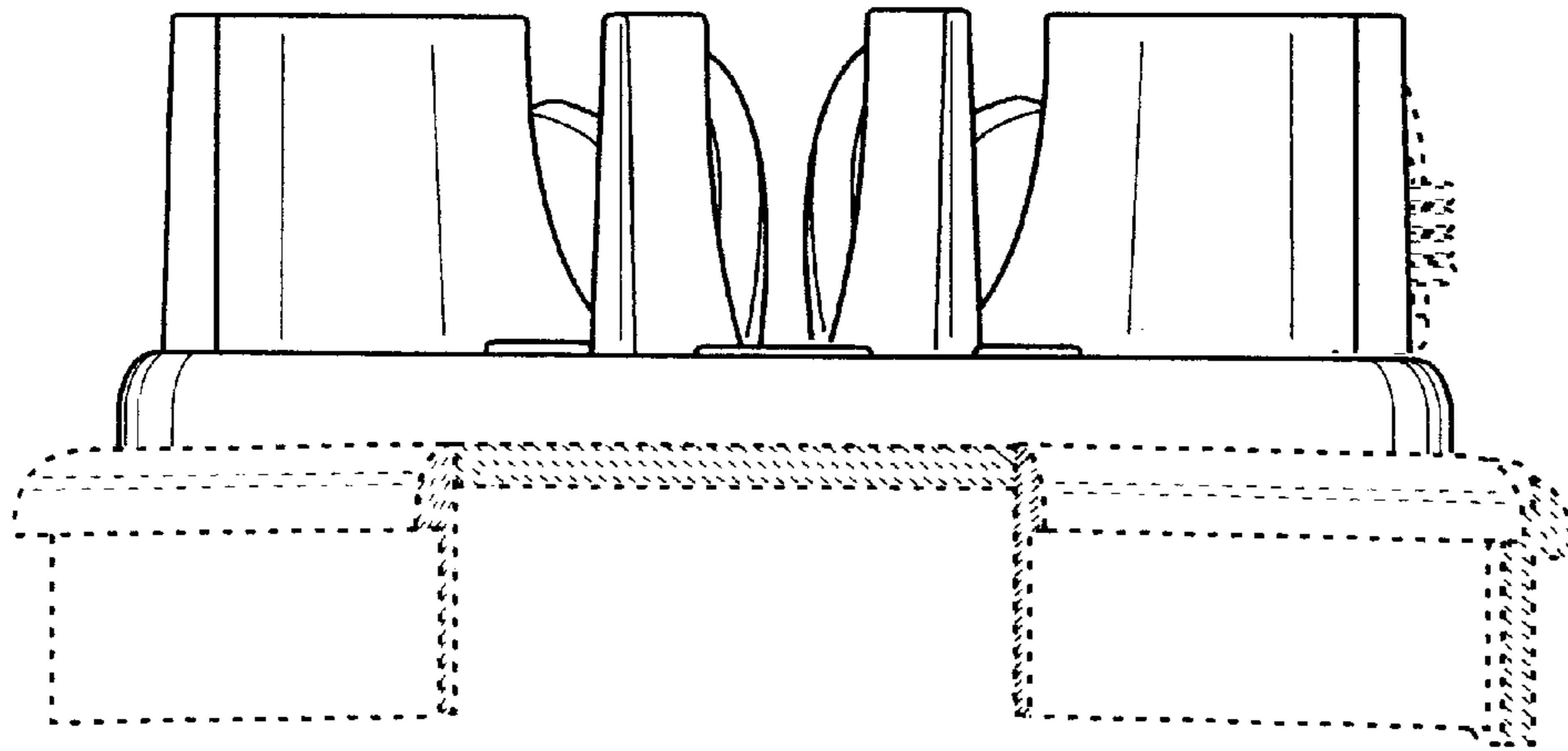


Fig. 3

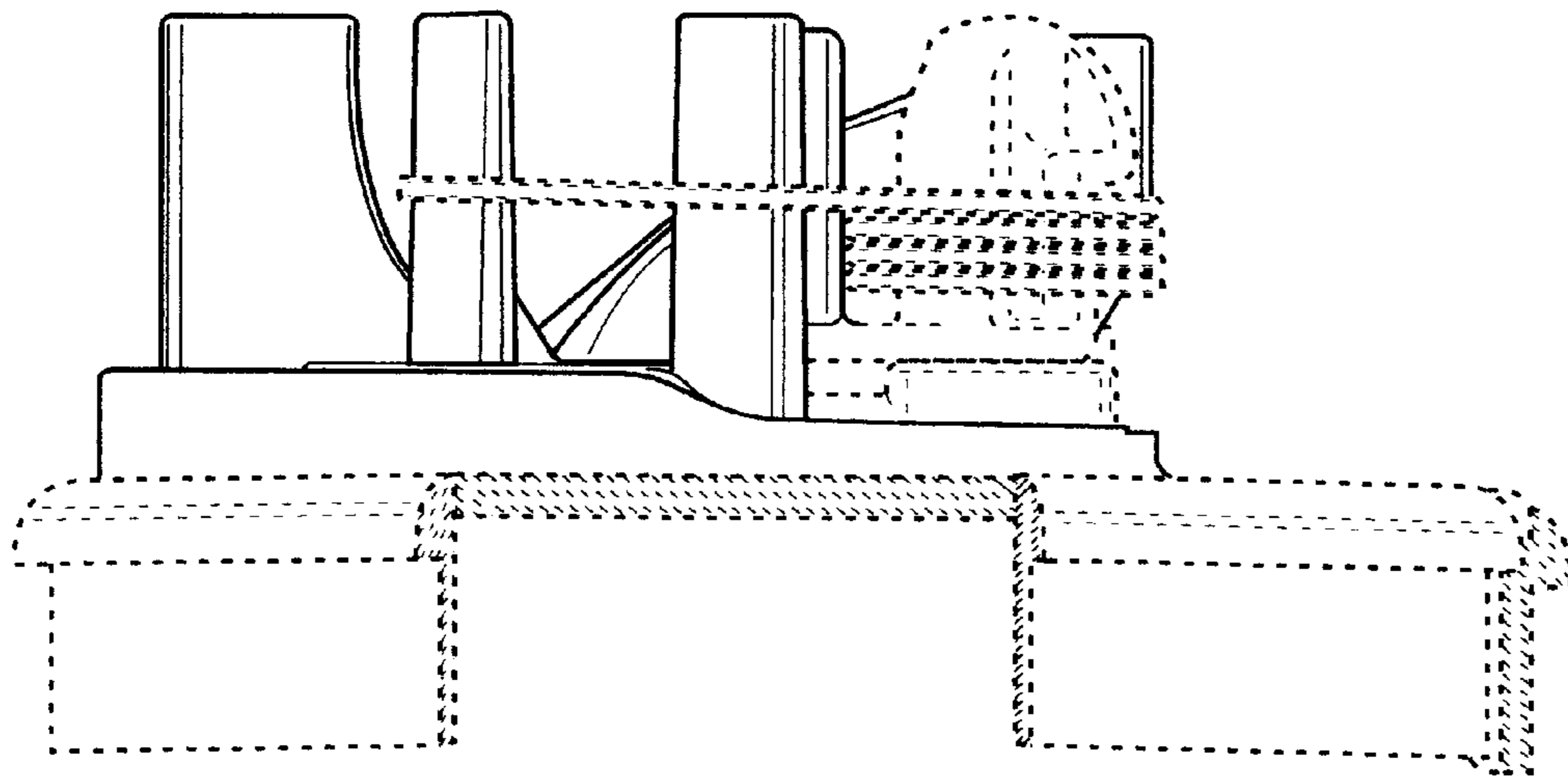


Fig. 4

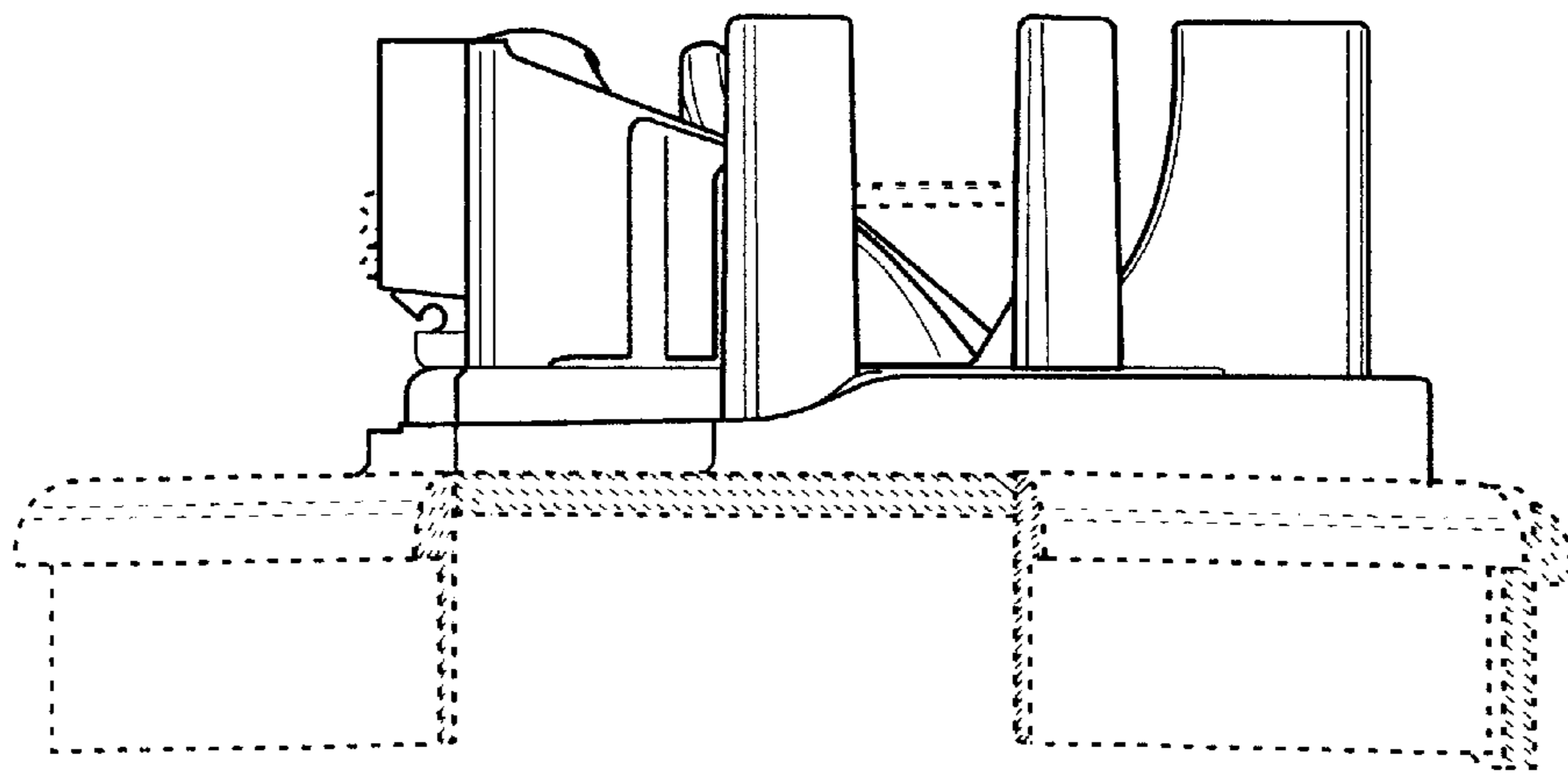


Fig. 5

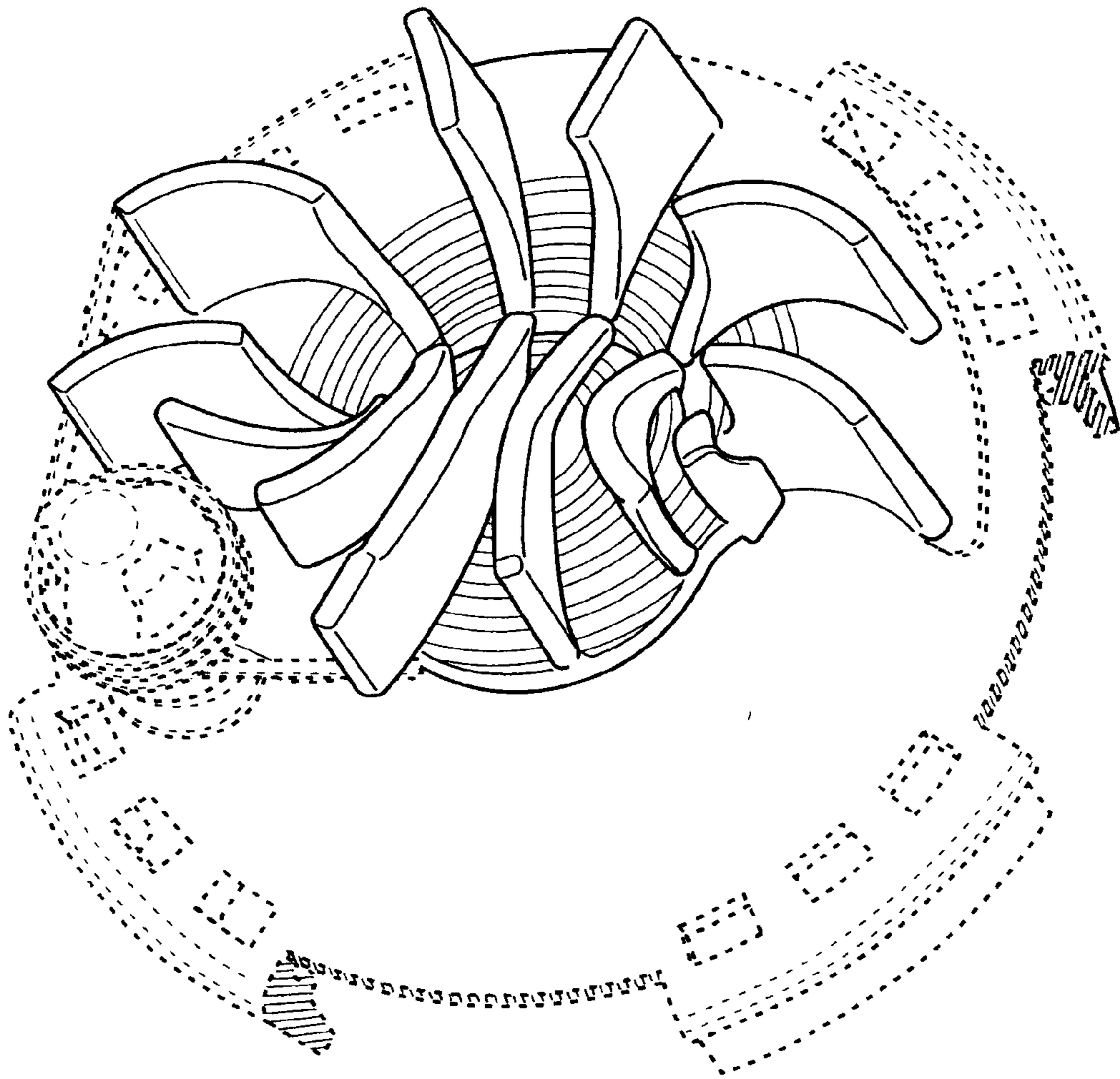


Fig. 6

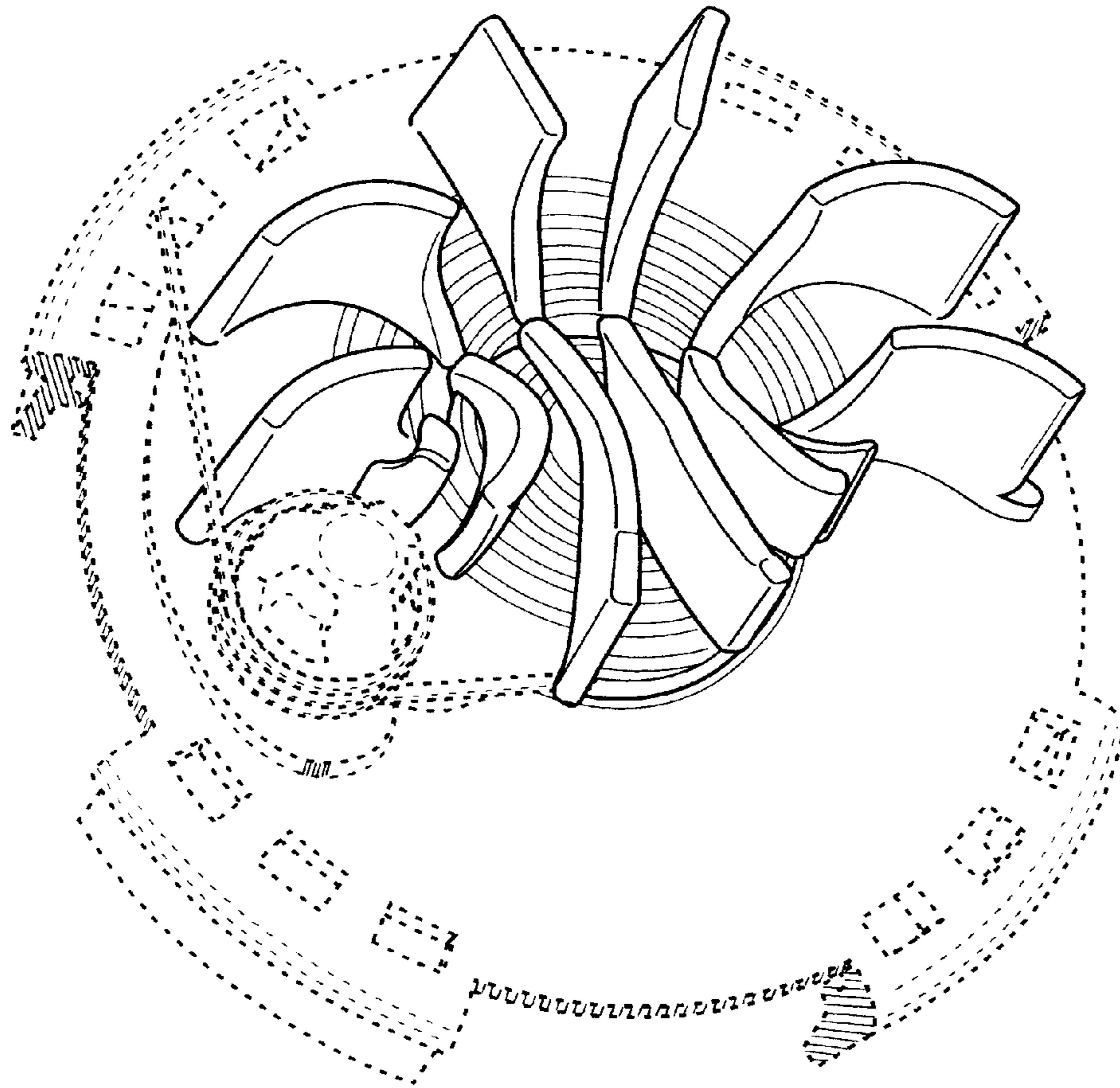


Fig. 7

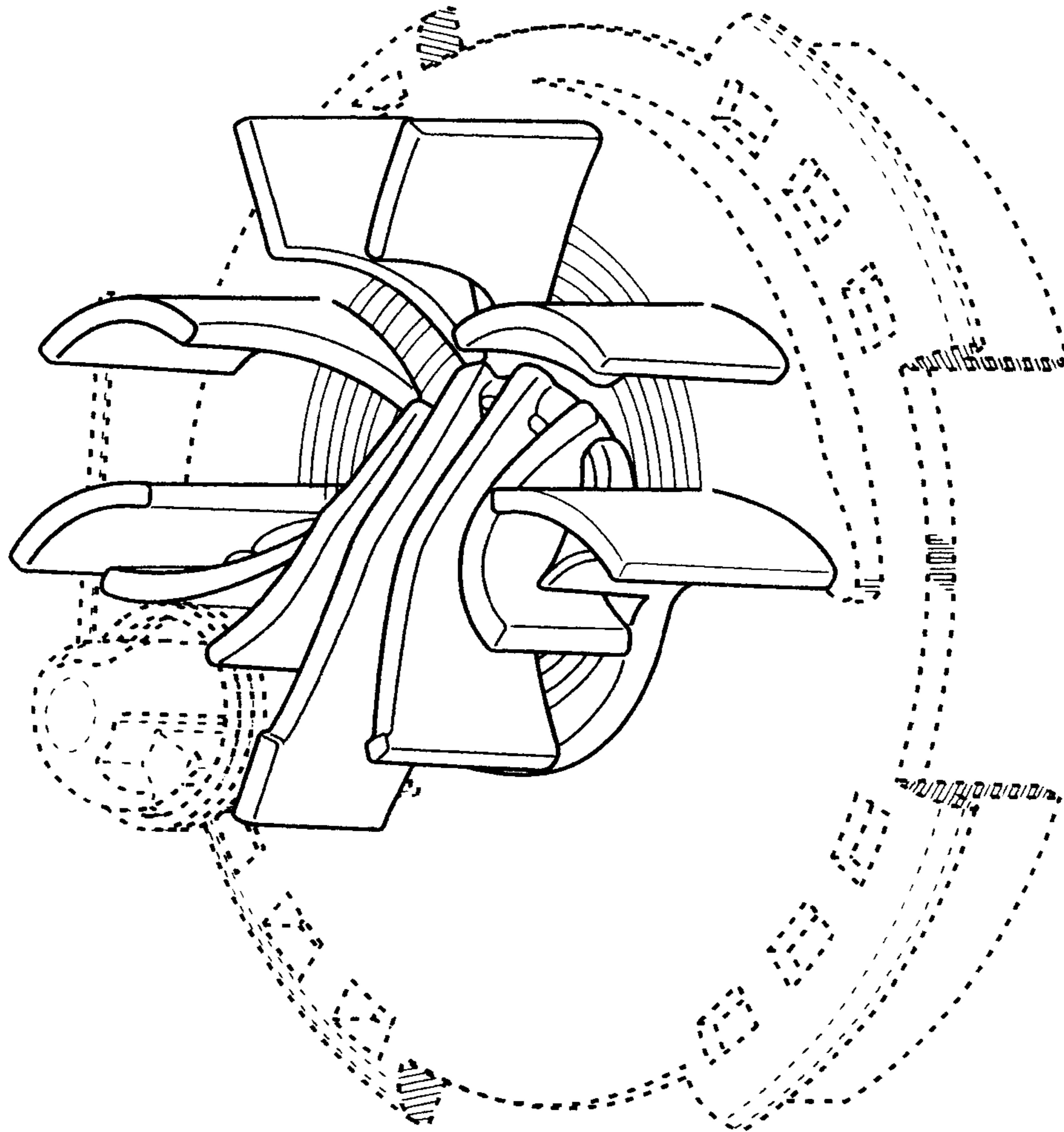


Fig. 8

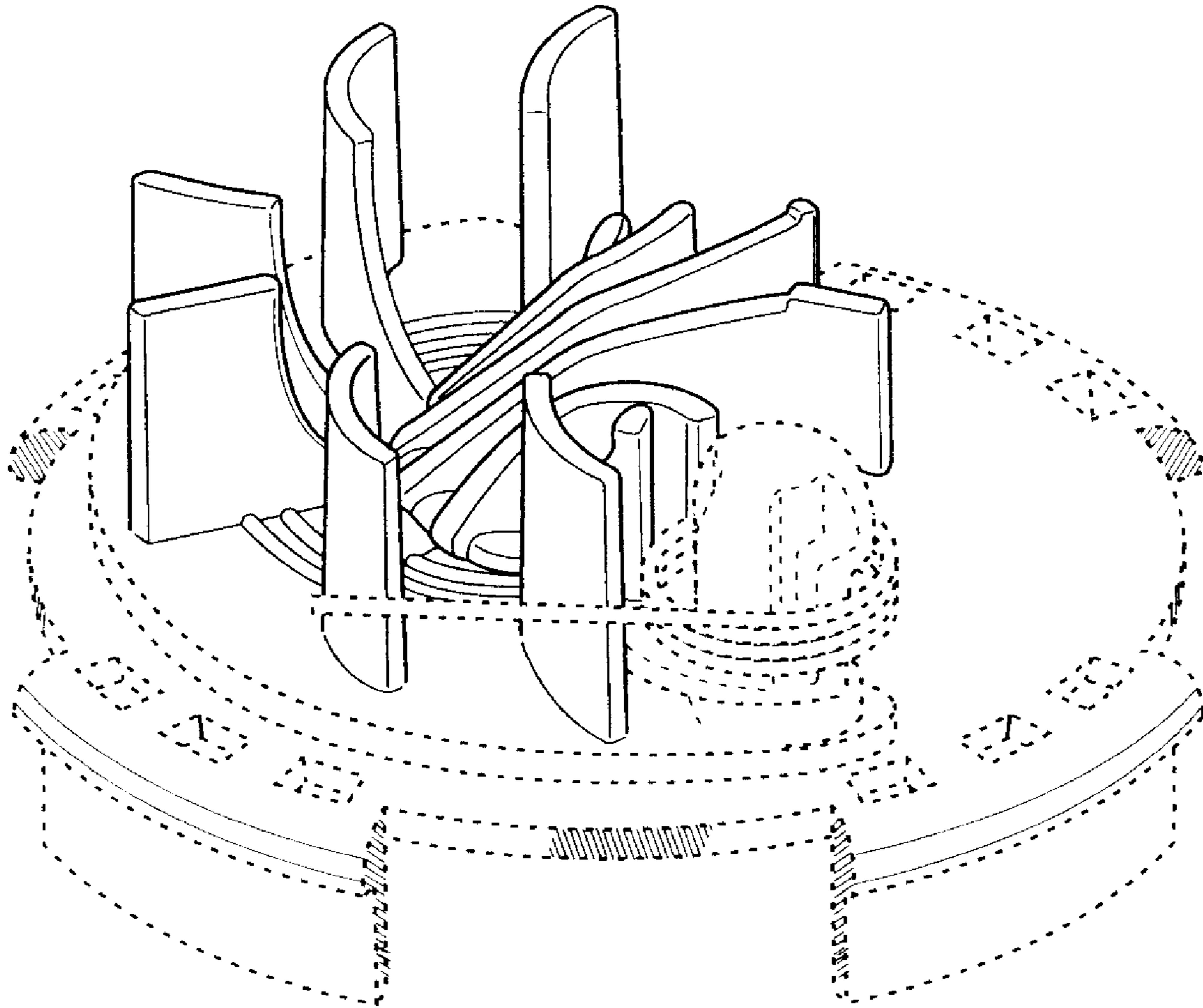


Fig. 9