



US00D537397S

(12) **United States Design Patent**  
**Woodhouse et al.**

(10) **Patent No.:** **US D537,397 S**

(45) **Date of Patent:** **\*\* Feb. 27, 2007**

(54) **AUTOMOTIVE DOOR**

(75) Inventors: **David Woodhouse**, Newport Coast, CA (US); **Tyler Blake**, Rancho Santa Margarita, CA (US); **Freeman Thomas**, Laguna Beach, CA (US)

(73) Assignee: **Ford Global Technologies, LLC**, Dearborn, MI (US)

(\*\*) Term: **14 Years**

(21) Appl. No.: **29/251,417**

(22) Filed: **Jan. 6, 2006**

(51) **LOC (8) Cl.** ..... **12-16**

(52) **U.S. Cl.** ..... **D12/196**

(58) **Field of Classification Search** ..... D12/196,  
D12/221; 280/423.1; 296/99.1, 39.1, 39.2  
See application file for complete search history.

(56) **References Cited**

**U.S. PATENT DOCUMENTS**

D500,000 S	12/2004	Dyson et al.	
D523,777 S	* 6/2006	Hirai et al.	D12/92
D523,778 S	* 6/2006	Saridakis et al.	D12/92
D527,691 S	* 9/2006	Cox	D12/91

**OTHER PUBLICATIONS**

www.fordvehicles.com, Ford Vehicles: 2006 Ford Fusion, Photo Gallery, 28 pages.

\* cited by examiner

*Primary Examiner*—Melody N. Brown

(74) *Attorney, Agent, or Firm*—Frank A. MacKenzie; Brooks Kushman P.C.

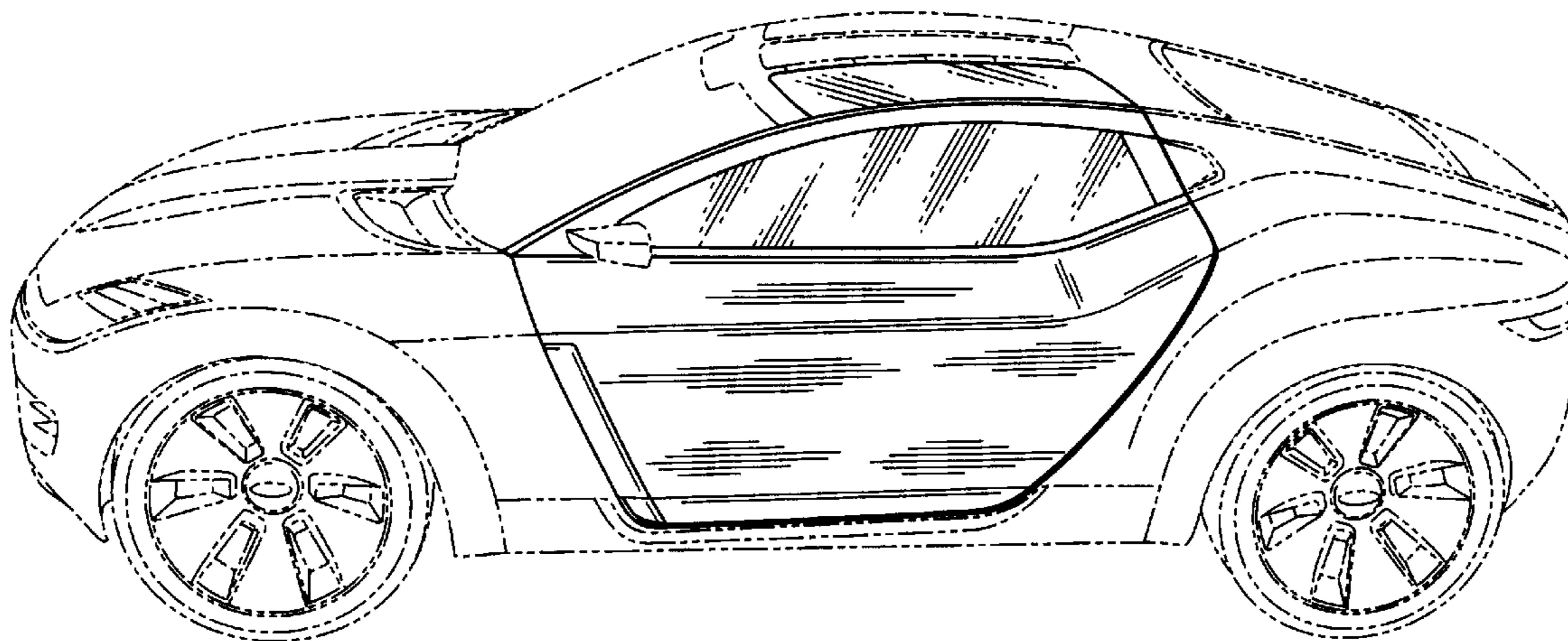
(57) **CLAIM**

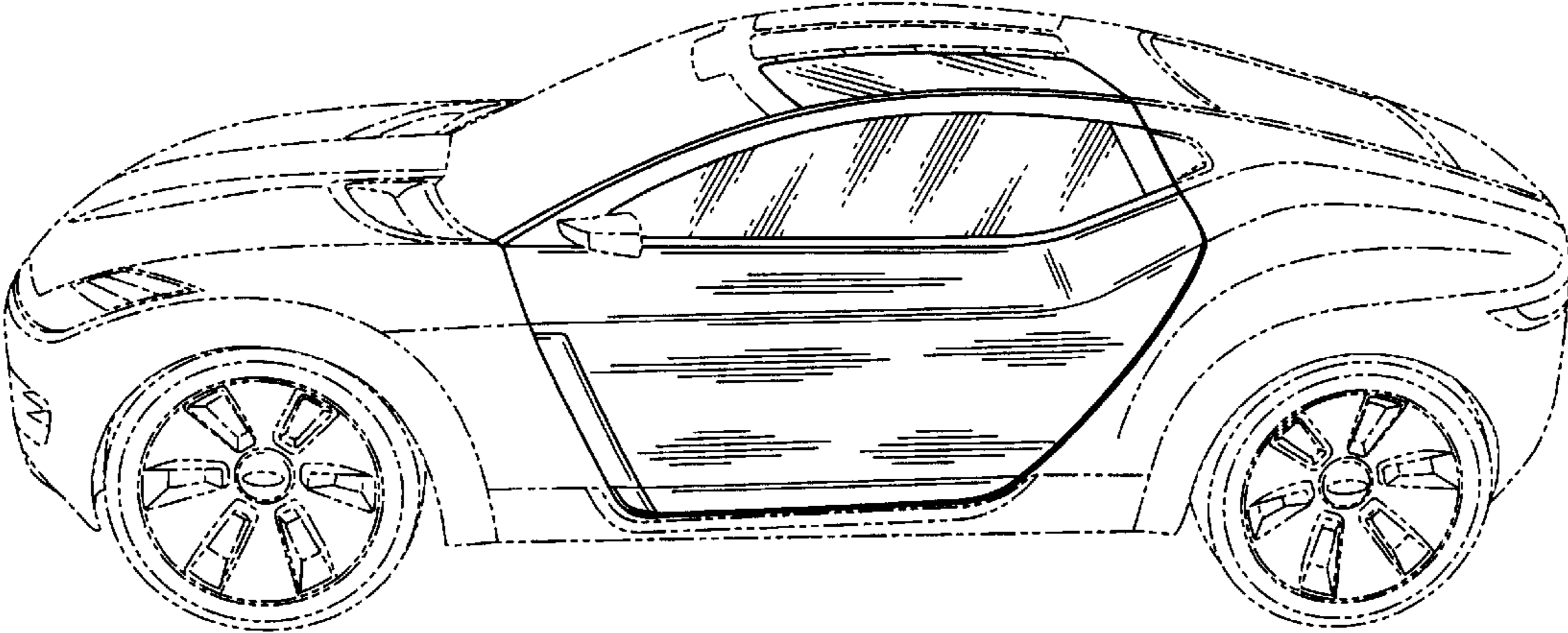
The ornamental design for an automotive door, as shown and described.

**DESCRIPTION**

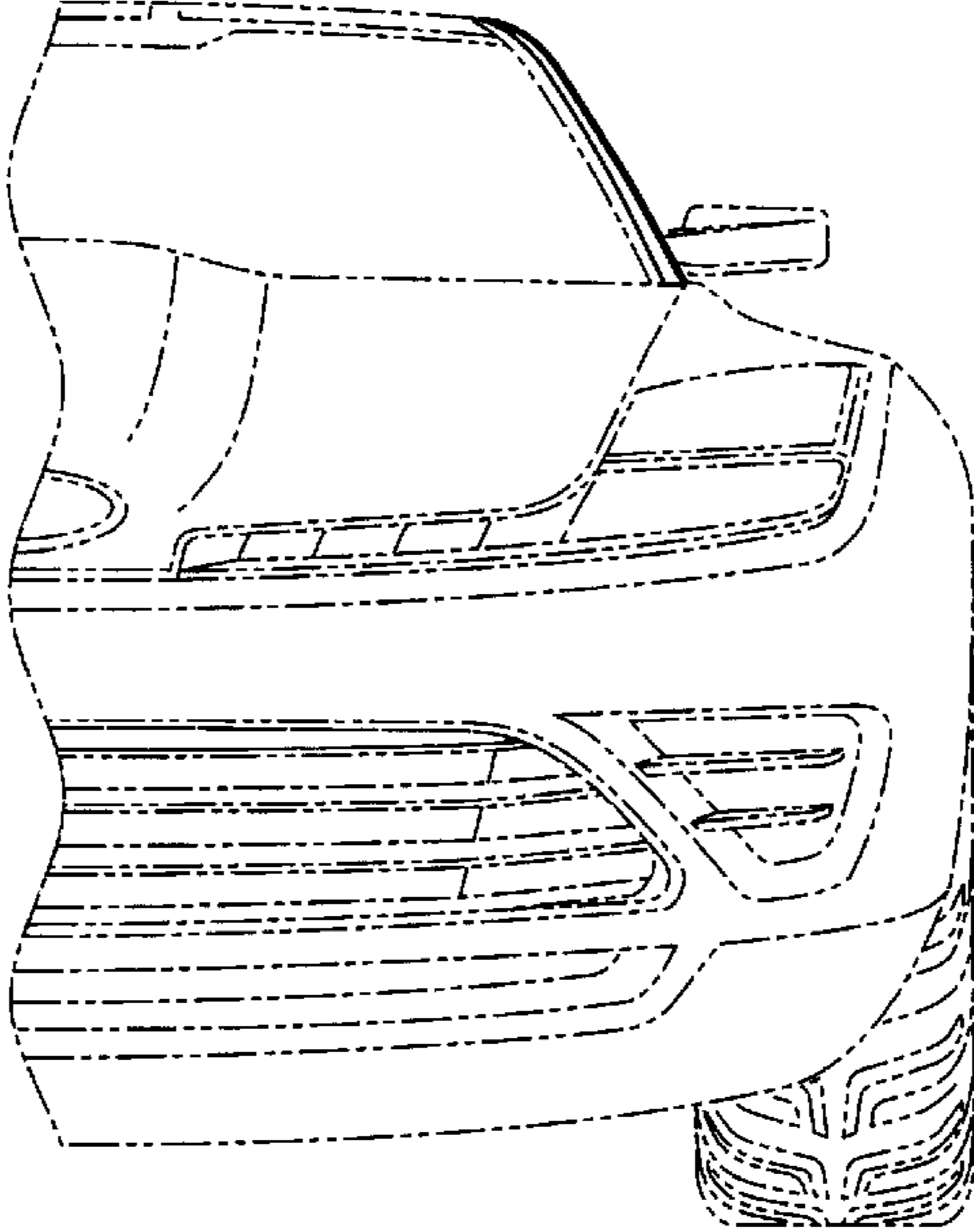
FIG. 1 is a right side perspective view of an automotive door showing our new design;  
FIG. 2 is a front elevation view thereof;  
FIG. 3 is a right side elevation view thereof;  
FIG. 4 is a rear elevation view thereof; and,  
FIG. 5 is a top and right side perspective view thereof.  
The broken lines are shown for illustrative purposes only and form no part of the claimed design. The left door that is not shown is a mirror image of the door shown.

**1 Claim, 3 Drawing Sheets**

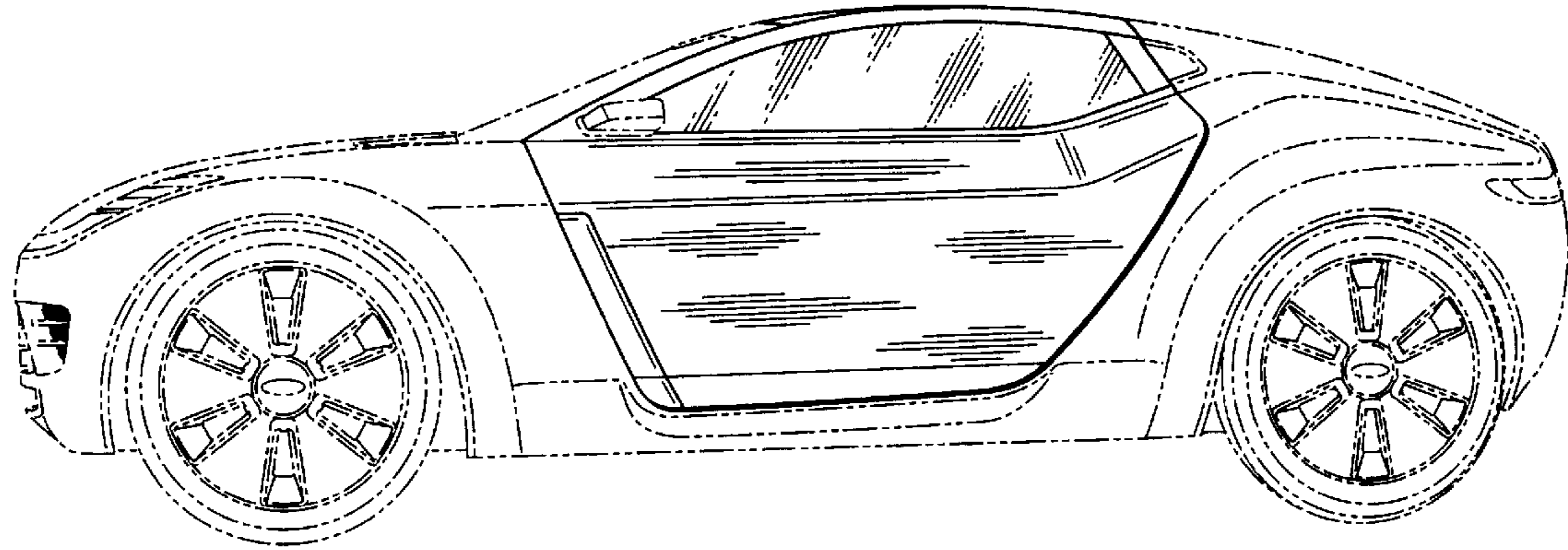




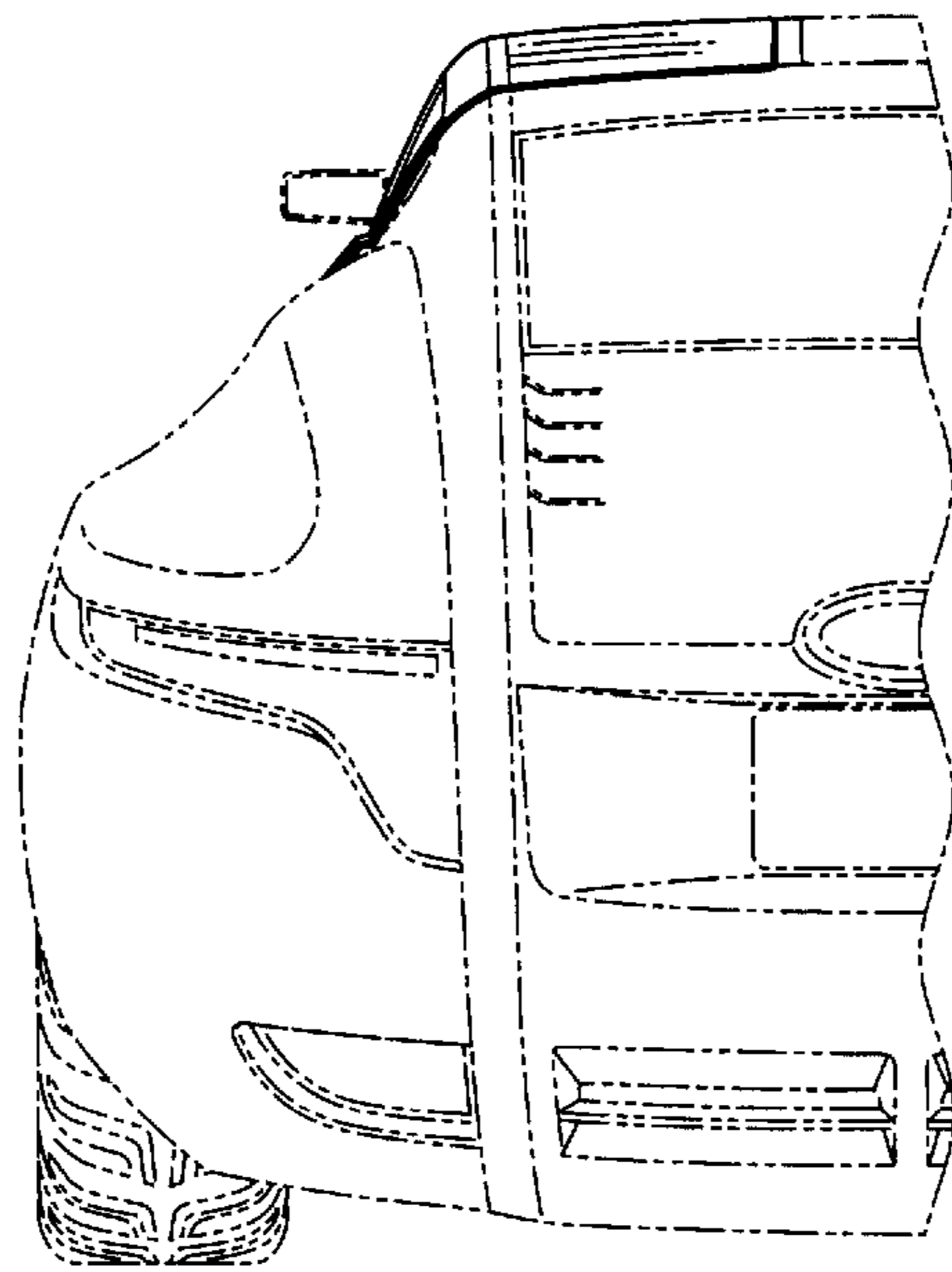
*Fig. 1*



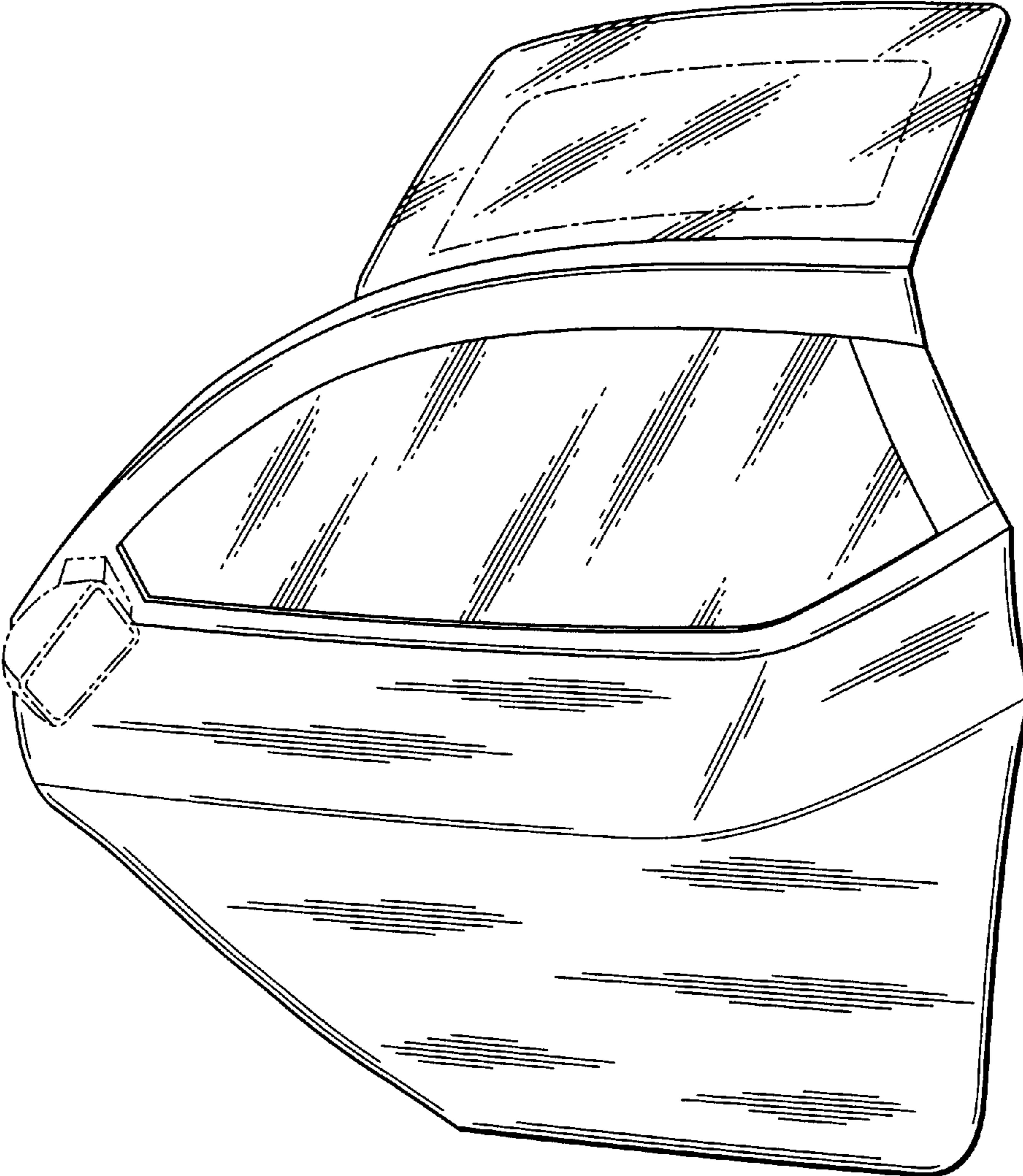
*Fig. 2*



*Fig. 3*



*Fig. 4*



*Fig. 5*