



US00D537395S

(12) **United States Design Patent**
Magee

(10) **Patent No.:** **US D537,395 S**

(45) **Date of Patent:** **** Feb. 27, 2007**

(54) **LICENSE PLATE FRAME**

D524,210 S * 7/2006 Spencer D12/193
D524,707 S * 7/2006 Spencer D12/193

(76) Inventor: **Benny E. Magee**, 2818 22nd Ave.,
Gulfport, MS (US) 39501

* cited by examiner

(**) Term: **14 Years**

Primary Examiner—Stacia Cadmus

(74) *Attorney, Agent, or Firm*—Richard C. Litman

(21) Appl. No.: **29/265,183**

(57) **CLAIM**

(22) Filed: **Aug. 28, 2006**

The ornamental design for a license plate frame, as shown and described.

(51) **LOC (8) Cl.** **12-16**

DESCRIPTION

(52) **U.S. Cl.** **D12/193**

(58) **Field of Classification Search** D12/193;
D6/300–303, 310–314; 40/200–203, 207–216;
D8/499; D20/13

FIG. 1 is an environmental perspective view of a license plate frame showing my new design;
FIG. 2 is an environmental front elevational view thereof;
FIG. 3 is a right side elevational view with the left side being a mirror image thereof; and,
FIG. 4 is a top plan view thereof with the bottom view being a mirror image thereof.

See application file for complete search history.

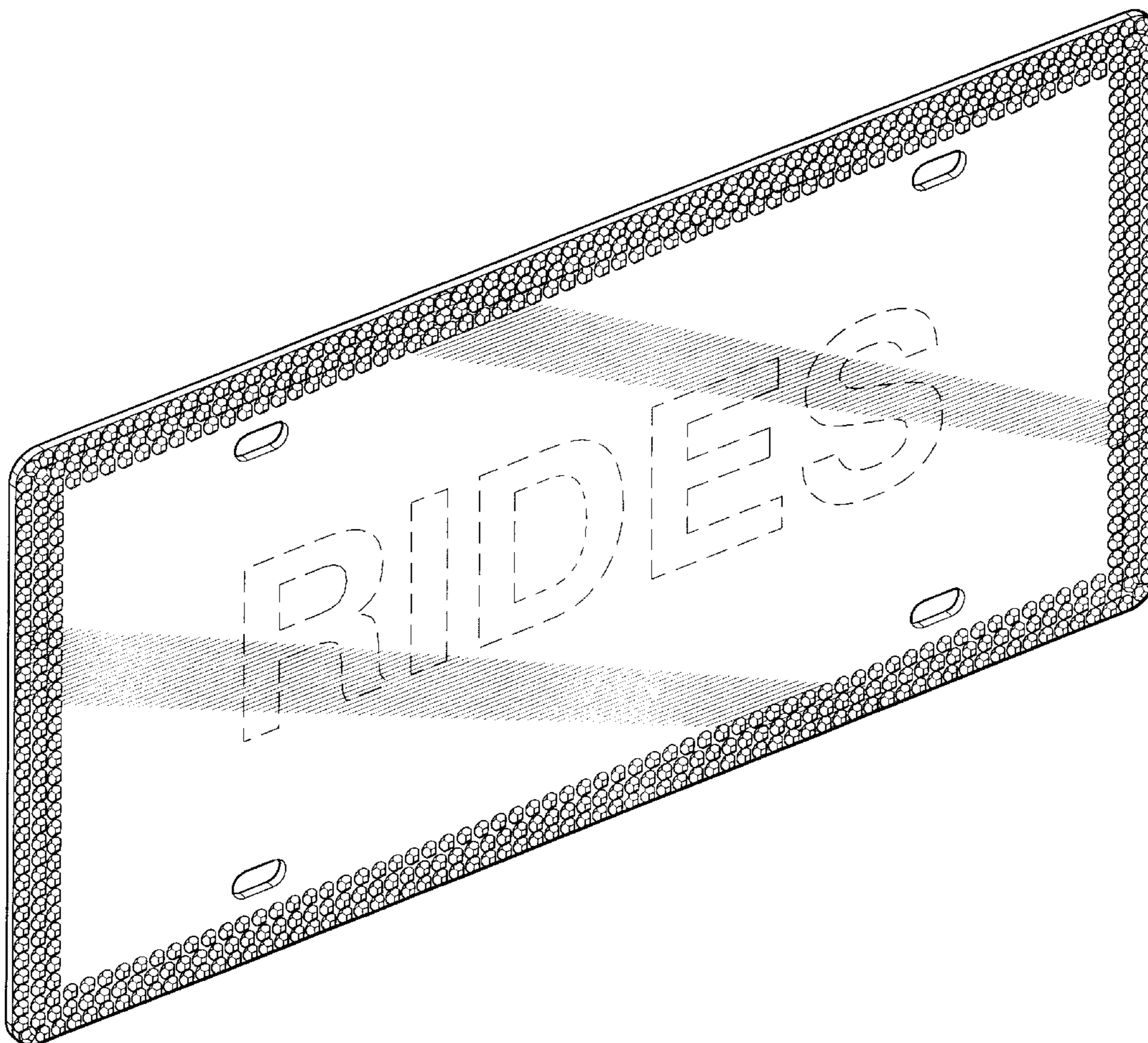
The broken line showing of the indicia on the license plate is for illustrative purposes only and forms no part of the claimed design.

(56) **References Cited**

U.S. PATENT DOCUMENTS

D440,194 S * 4/2001 Hussaini et al. D12/193
D442,130 S 5/2001 Hussaini et al. D12/193
D475,335 S 6/2003 Wang D12/193
D521,916 S * 5/2006 Spencer D12/193

1 Claim, 3 Drawing Sheets



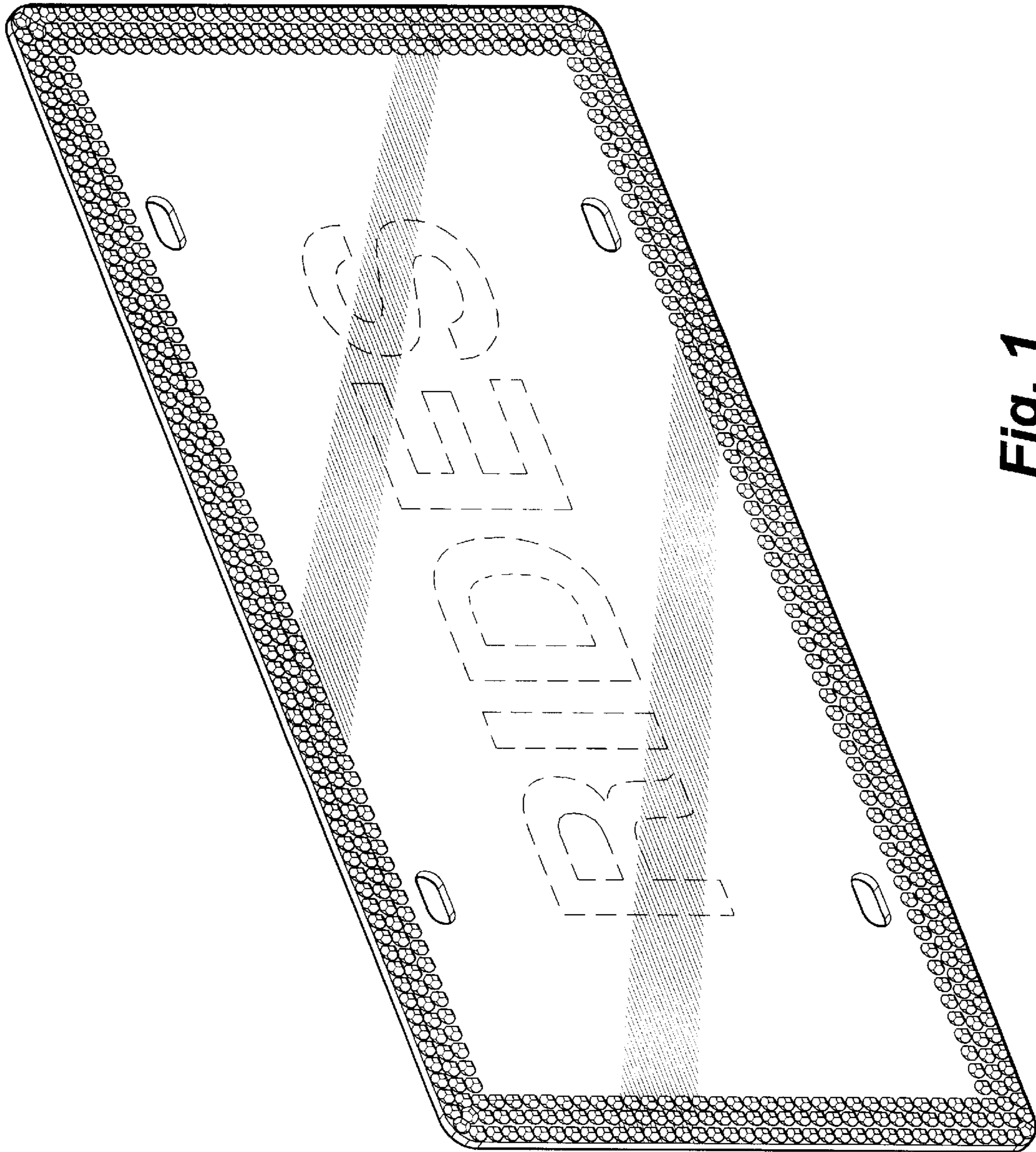


Fig. 1

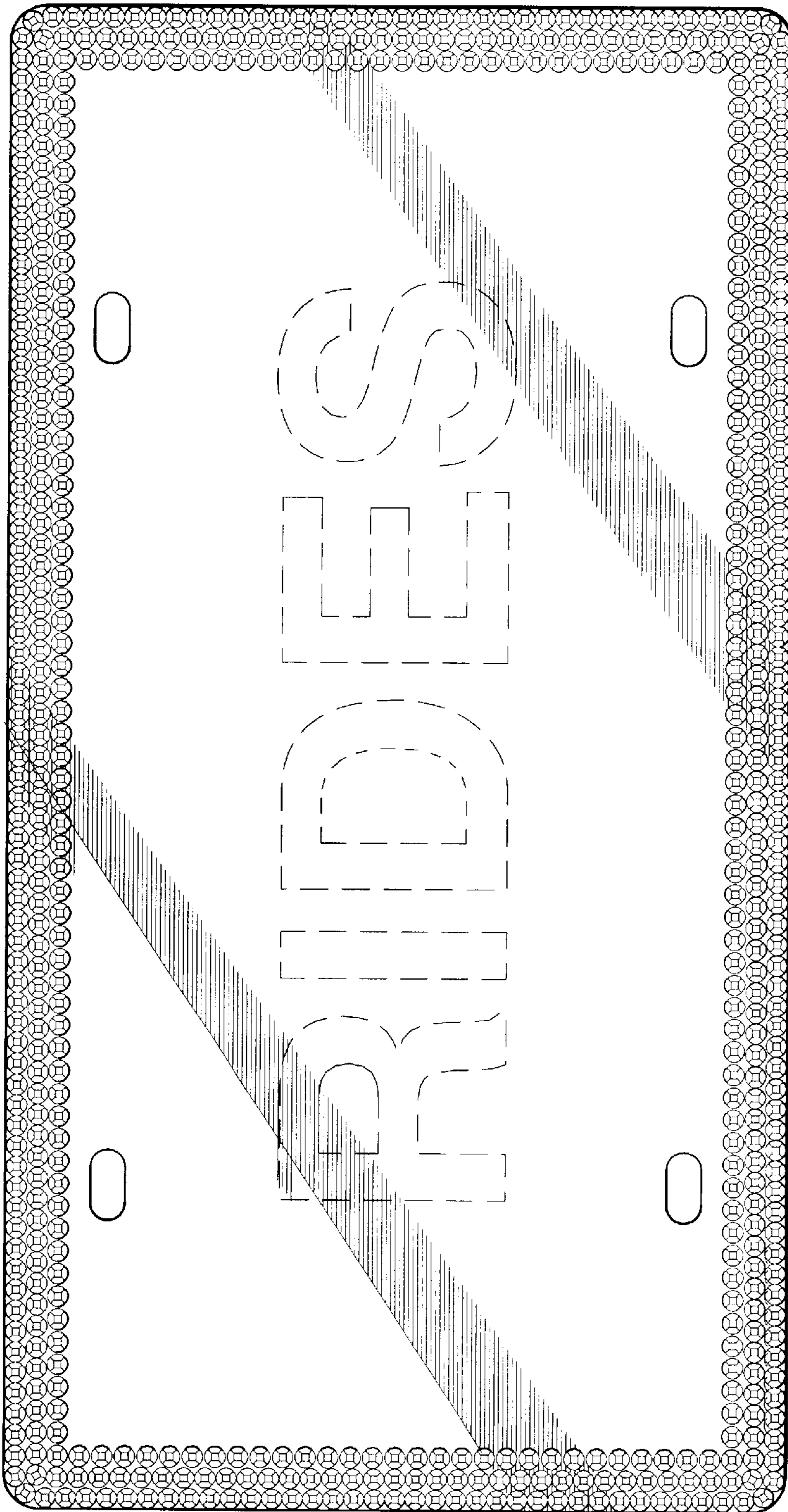


Fig. 2



Fig. 3

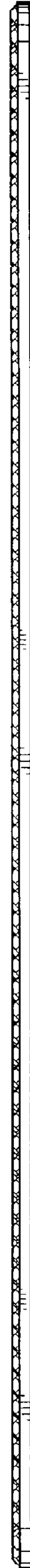


Fig. 4