



US00D537388S

(12) **United States Design Patent**
Martell

(10) **Patent No.:** **US D537,388 S**

(45) **Date of Patent:** **** Feb. 27, 2007**

(54) **MOTORCYCLE FUEL TANK COVER**

(76) Inventor: **Alex Martell**, 303 Vail Ave.,
Piscataway, NJ (US) 08854

(**) Term: **14 Years**

(21) Appl. No.: **29/236,669**

(22) Filed: **Aug. 19, 2005**

(51) **LOC (8) Cl.** **12-11**

(52) **U.S. Cl.** **D12/126**

(58) **Field of Classification Search** D12/110,
D12/114, 126, 218; 280/833, 835, 304.3,
280/770, 847, 304.4, 304.5; 296/78.1, 136.1;
180/219, 225, 69.4, 229; 150/167
See application file for complete search history.

(56) **References Cited**

U.S. PATENT DOCUMENTS

4,068,859 A * 1/1978 Dittman 280/304.4

5,490,549 A * 2/1996 Biette 296/78.1
2004/0069552 A1 * 4/2004 Galvagno 180/225

* cited by examiner

Primary Examiner—Alan P. Douglas

Assistant Examiner—Linda Brooks

(74) *Attorney, Agent, or Firm*—Edward M. Fink

(57) **CLAIM**

The ornamental design for a motorcycle fuel tank cover, as shown and described.

DESCRIPTION

FIG. 1 is a side elevational view in perspective of a motorcycle fuel tank cover, showing my new design; FIG. 2 is a rear elevational view in perspective of the motorcycle fuel tank cover of FIG. 1; and, FIG. 3 is a side elevational view of the motorcycle fuel tank cover of FIG. 1.

1 Claim, 1 Drawing Sheet

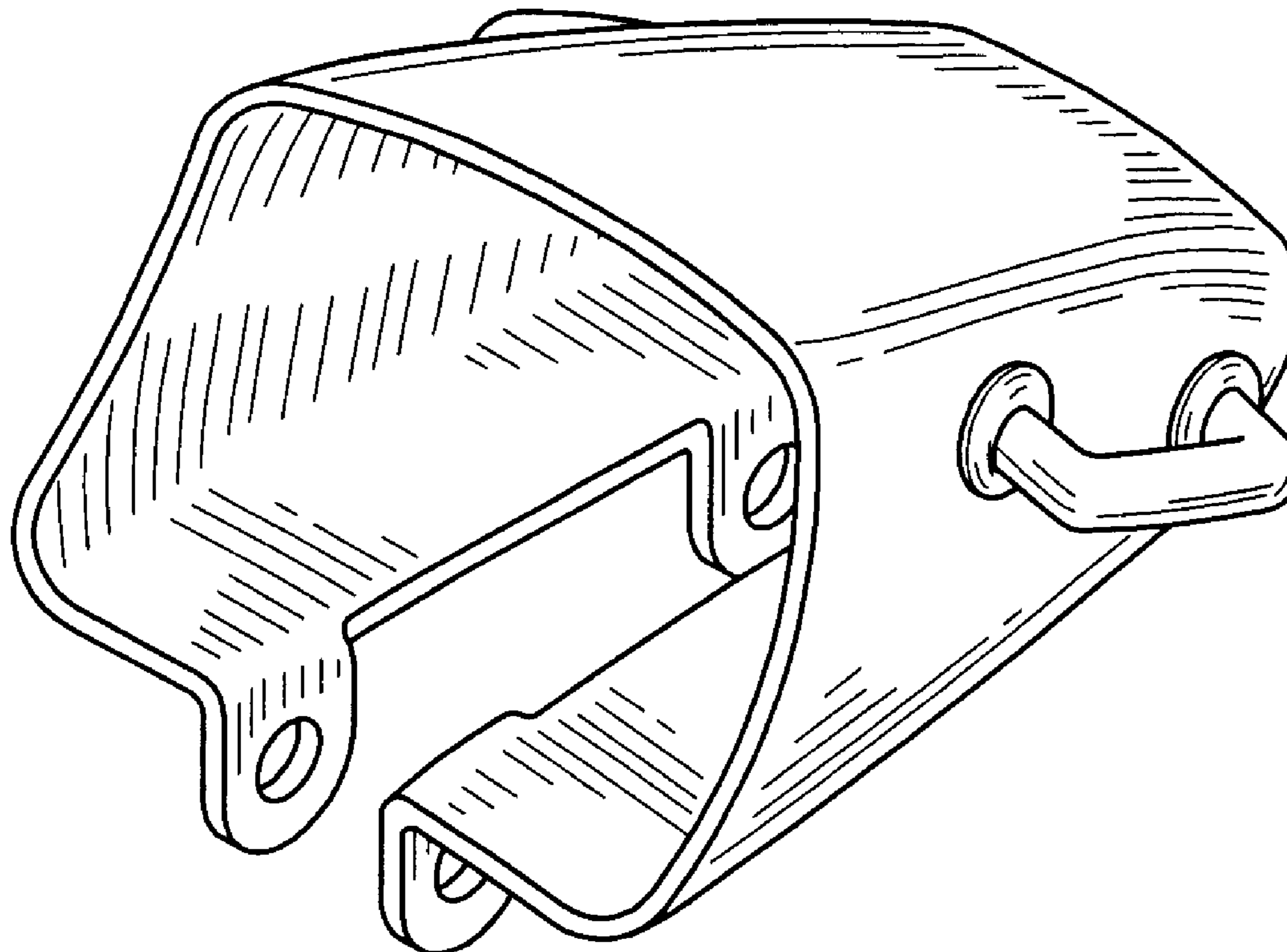


FIG. 1

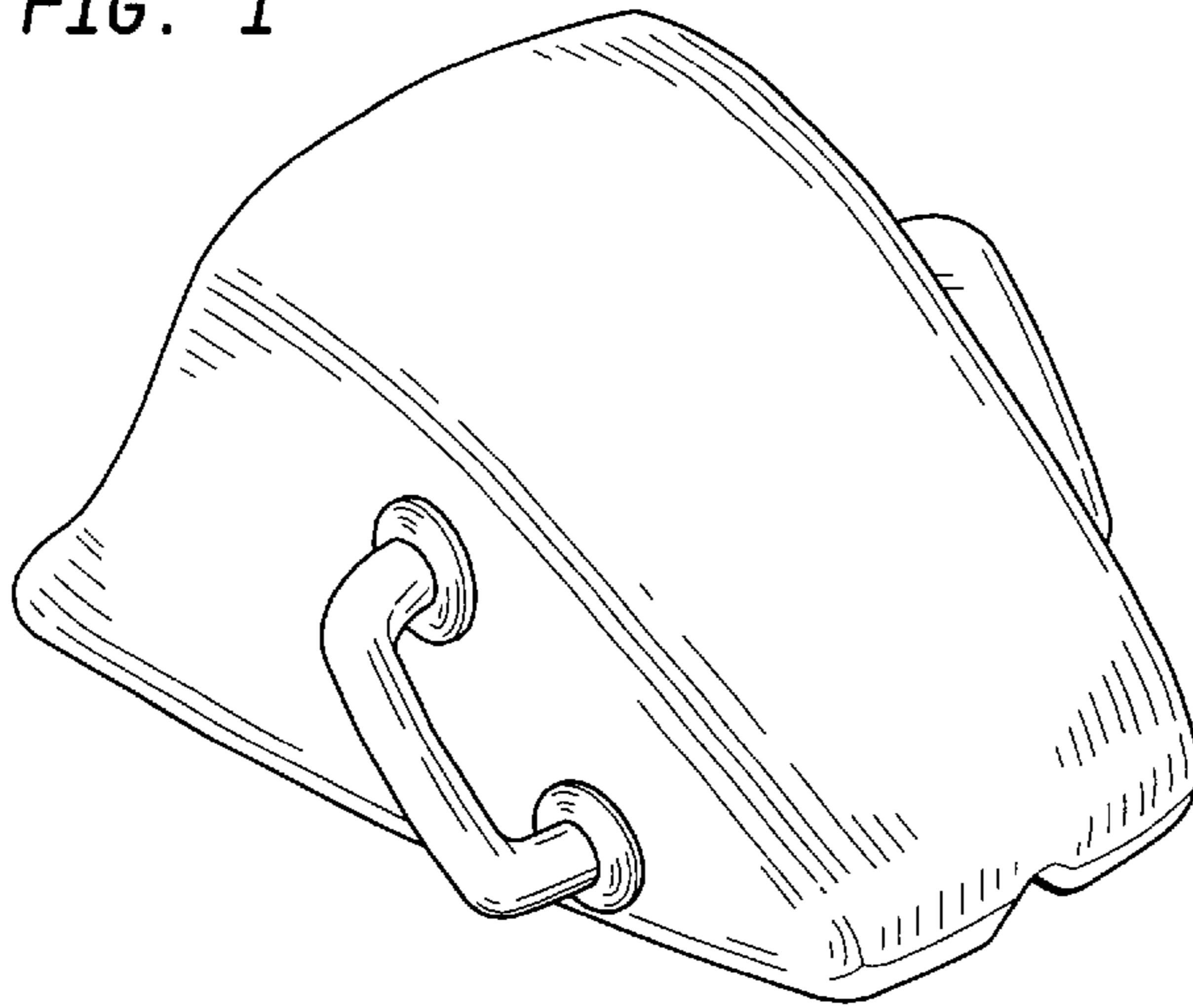


FIG. 2

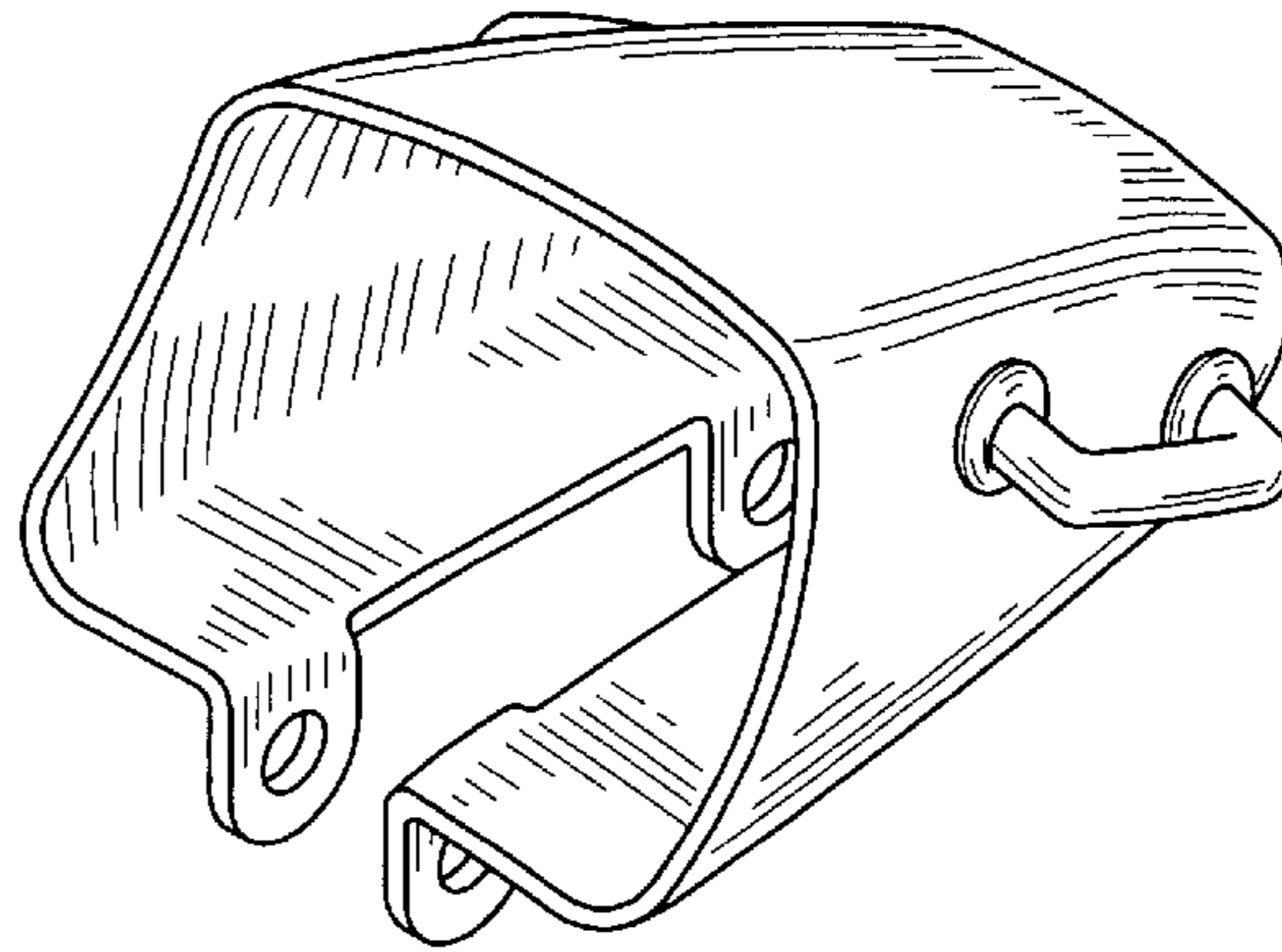


FIG. 3

