



US00D537385S

(12) **United States Design Patent**  
**Shimoguchi et al.**

(10) **Patent No.:** **US D537,385 S**

(45) **Date of Patent:** **\*\* Feb. 27, 2007**

(54) **MOTOR VEHICLE AND TOY REPLICA THEREOF**

Public relations material, 2003, Ford Motor Company, FORD F-150.

(75) Inventors: **Kenta Shimoguchi**, Aichi-ken (JP);  
**Takayasu Furukawa**, Aichi-ken (JP);  
**Yusuke Fukushima**, Tokyo (JP);  
**Jinichi Sato**, Tokyo (JP); **Craig Kember**, Newport Beach, CA (US)

\* cited by examiner

*Primary Examiner*—Melody N. Brown  
(74) *Attorney, Agent, or Firm*—Finnegan, Henderson, Farabow, Garrett & Dunner, L.L.P.

(73) Assignee: **Toyota Jidosha Kabushiki Kaisha**, Aichi-ken (JP)

(57) **CLAIM**

The ornamental design for a motor vehicle and toy replica thereof, as shown and described.

(\*\*) Term: **14 Years**

**DESCRIPTION**

(21) Appl. No.: **29/253,239**

FIG. 1 is a right-front, perspective view of a motor vehicle and toy replica thereof of our new design, the left-front perspective view being a mirror image thereof, with the exception of the windshield wiper assemblies which are not symmetric, and the door over the gas cap, which is not present on the left side;

(22) Filed: **Feb. 3, 2006**

(51) **LOC (8) Cl.** ..... **12-08**

(52) **U.S. Cl.** ..... **D12/98**

(58) **Field of Classification Search** ..... D12/98,  
D12/93; 296/181.2, 181.3

See application file for complete search history.

FIG. 2 is a right-rear, perspective view thereof, the left-rear, perspective view being a mirror image thereof, with the exception of the door over the gas cap, which is not present on the left side;

(56) **References Cited**

**U.S. PATENT DOCUMENTS**

D481,333 S	*	10/2003	Fukushima	.....	D12/98
D481,656 S	*	11/2003	Fukushima	.....	D12/98
D494,105 S	*	8/2004	Hall et al.	.....	D12/98
D508,440 S	*	8/2005	Hall et al.	.....	D12/98
D509,772 S		9/2005	Hattori et al.		
D517,449 S	*	3/2006	Depeyster et al.	.....	D12/98
D522,919 S	*	6/2006	Teot	.....	D12/98

FIG. 3 is a right-side view of thereof, the left-side view being a mirror image thereof, with the exception of the windshield wiper assemblies which are not symmetric, and the door over the gas cap, which is not present on the left side;

FIG. 4 is a front view thereof;

FIG. 5 is a rear view thereof; and,

FIG. 6 is a top view thereof.

**OTHER PUBLICATIONS**

Brochure of Tacoma, 2004, Toyota Jidosha Kabushiki Kaisha, Toyota Tacoma (2 pages).

Brochure of Dodge Ram, Aug. 2003, Daimler Chrysler Corporation, Dodge Ram.

As used herein, right and left refer to the orientation of the design depicted in the figures above, not the right and left sides of the vehicle depicted.

**1 Claim, 3 Drawing Sheets**

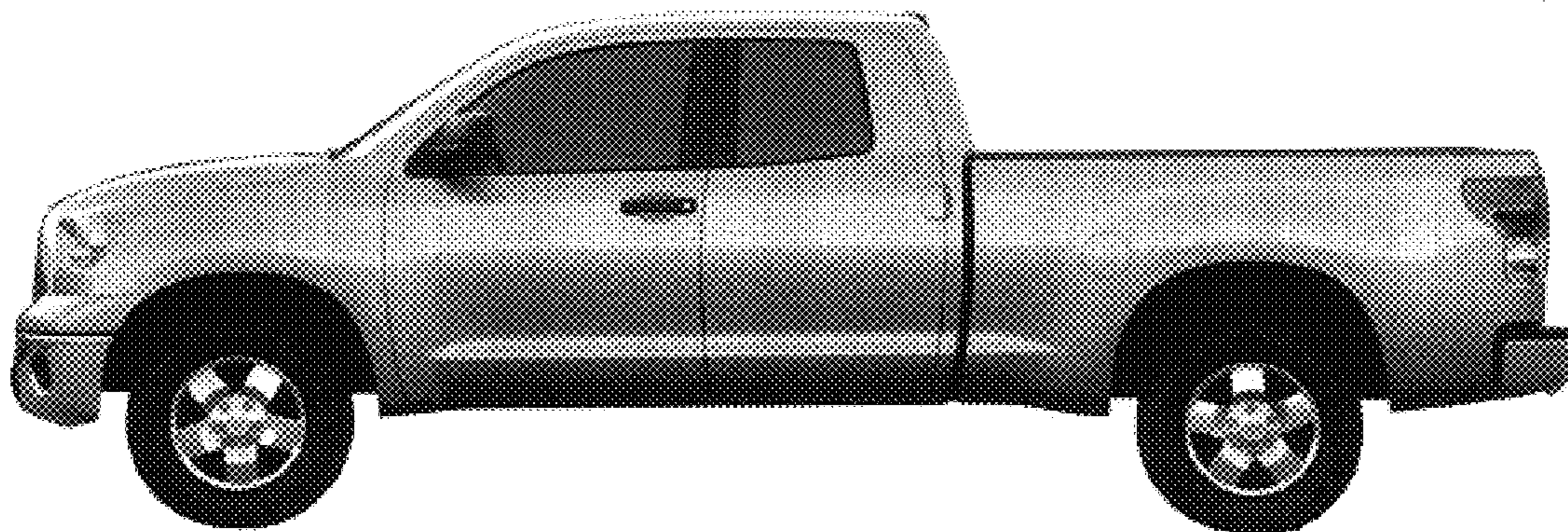




**FIG. 1**



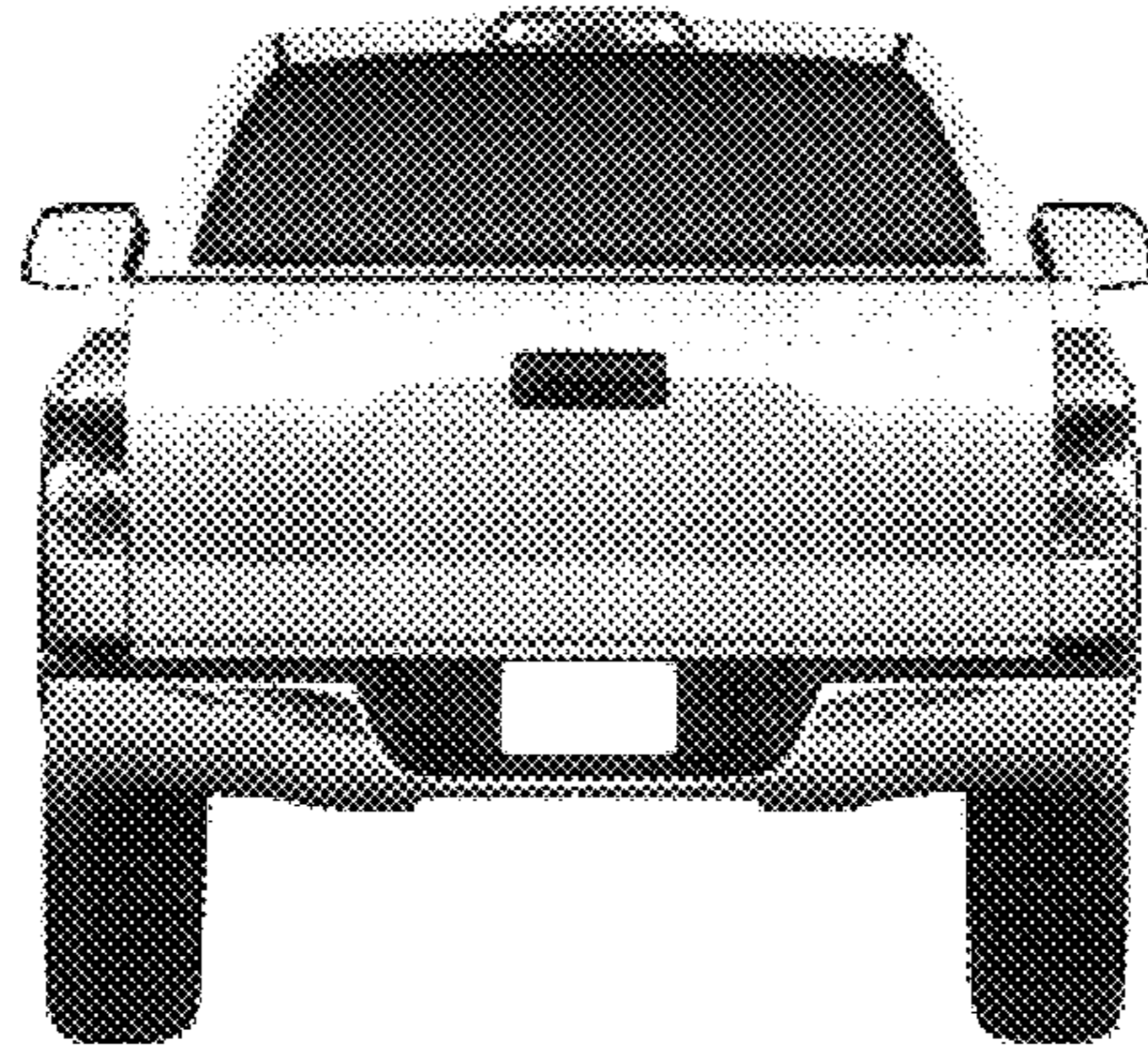
**FIG. 2**



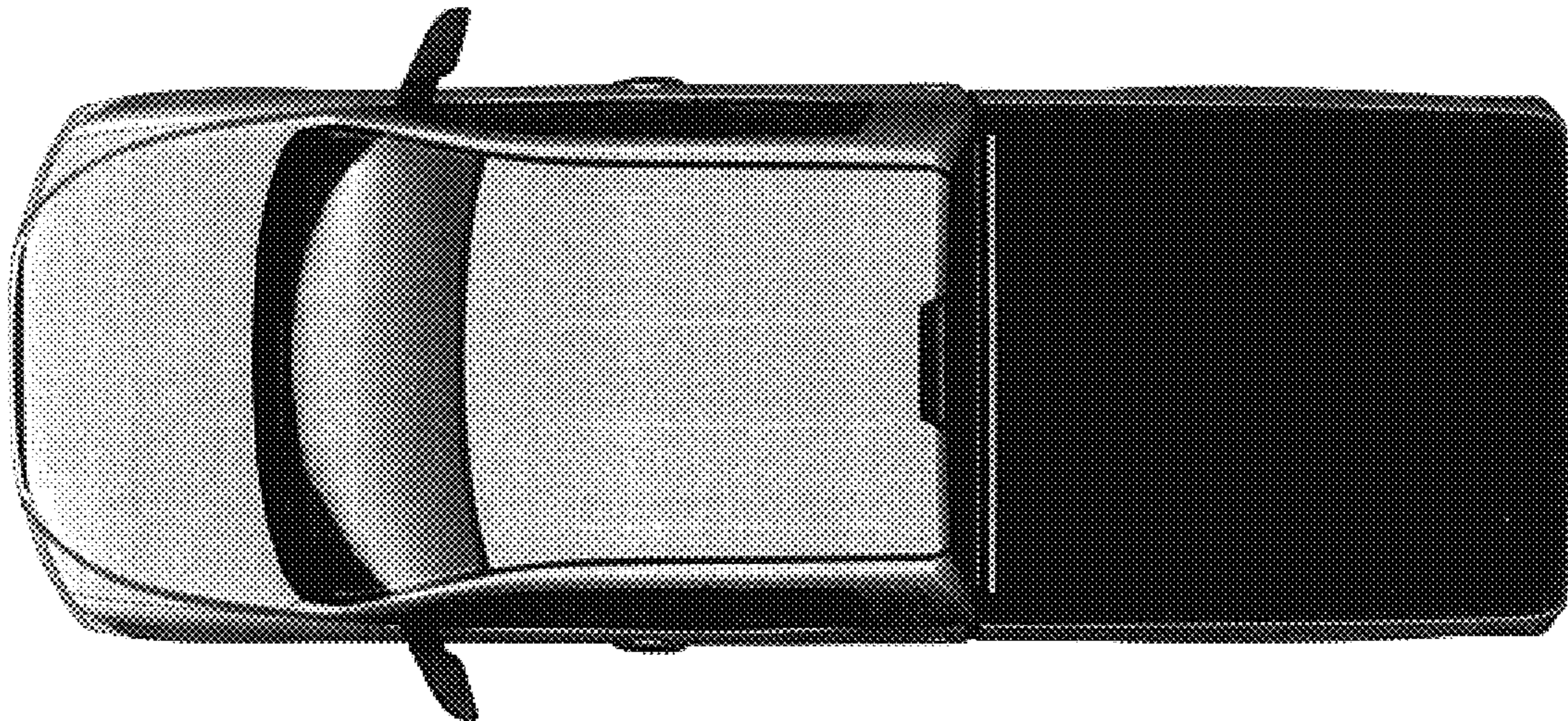
**FIG. 3**



**FIG. 4**



**FIG. 5**



**FIG. 6**