



US00D537383S

(12) **United States Design Patent**
Kato

(10) **Patent No.:** **US D537,383 S**
(45) **Date of Patent:** **** Feb. 27, 2007**

(54) **BODY OF AN AUTOMOBILE**

(75) Inventor: **Chiaki Kato**, Saitama (JP)
(73) Assignee: **Honda Motor Co., Ltd.**, Tokyo (JP)
(**) Term: **14 Years**

(21) Appl. No.: **29/236,267**
(22) Filed: **Aug. 15, 2005**

(30) **Foreign Application Priority Data**

May 25, 2005 (JP) 2005-014916

(51) **LOC (8) Cl.** **12-08**

(52) **U.S. Cl.** **D12/91**

(58) **Field of Classification Search** D12/90-92,
D12/86; D21/424, 433; 296/181.1
See application file for complete search history.

(56) **References Cited**

U.S. PATENT DOCUMENTS

D486,095 S * 2/2004 Taniko et al. D12/92
D505,359 S * 5/2005 Suzuki et al. D12/91
D507,765 S * 7/2005 Nakajima et al. D12/91
D511,482 S * 11/2005 Warkuss et al. D12/91
D512,000 S * 11/2005 Suzuki et al. D12/91
D515,972 S * 2/2006 Ikeda et al. D12/91

FOREIGN PATENT DOCUMENTS

JP 1234447 3/2005

OTHER PUBLICATIONS

Notification of Refusal Reasons.

* cited by examiner

Primary Examiner—Melody N. Brown

(74) *Attorney, Agent, or Firm*—Westerman, Hattori,
Daniels & Adrian, LLP.

(57) **CLAIM**

The ornamental design for, a body of an automobile, as shown and described.

DESCRIPTION

FIG. 1 is a front elevation view of a body of an automobile, showing our new design;
FIG. 2 is a top plan view thereof;
FIG. 3 is a right side elevation view thereof;
FIG. 4 is a left side elevation view thereof;
FIG. 5 is a perspective view thereof; and,
FIG. 6 is another perspective view thereof.
The broken in the drawings is illustrative purposes only and forms no part of the claimed design.

1 Claim, 6 Drawing Sheets

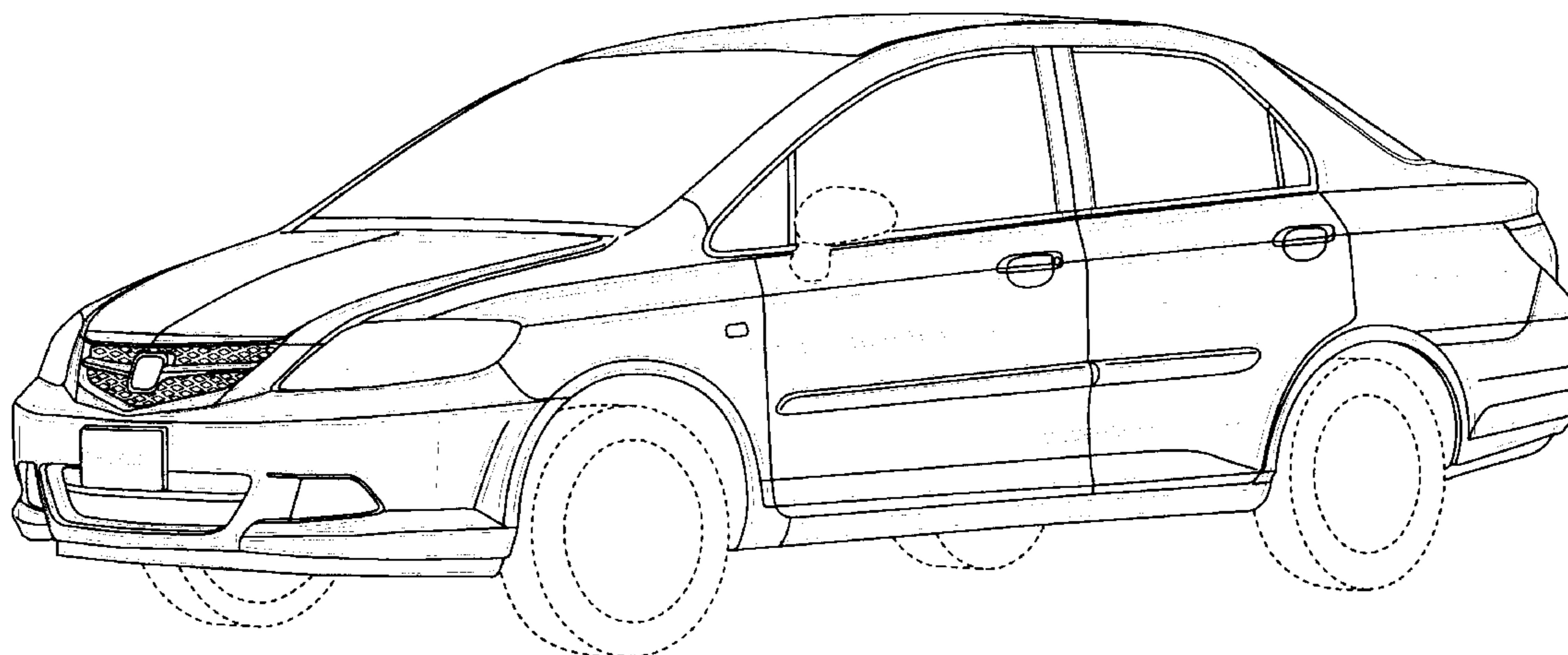


Fig.1

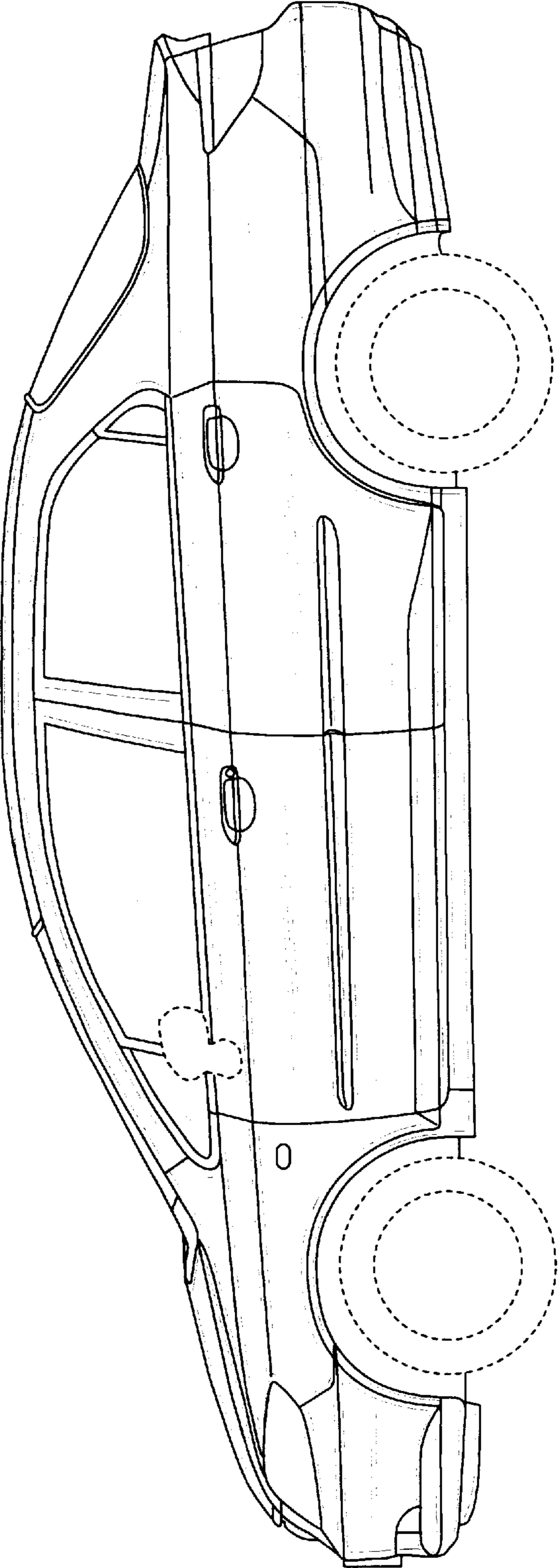


Fig.2

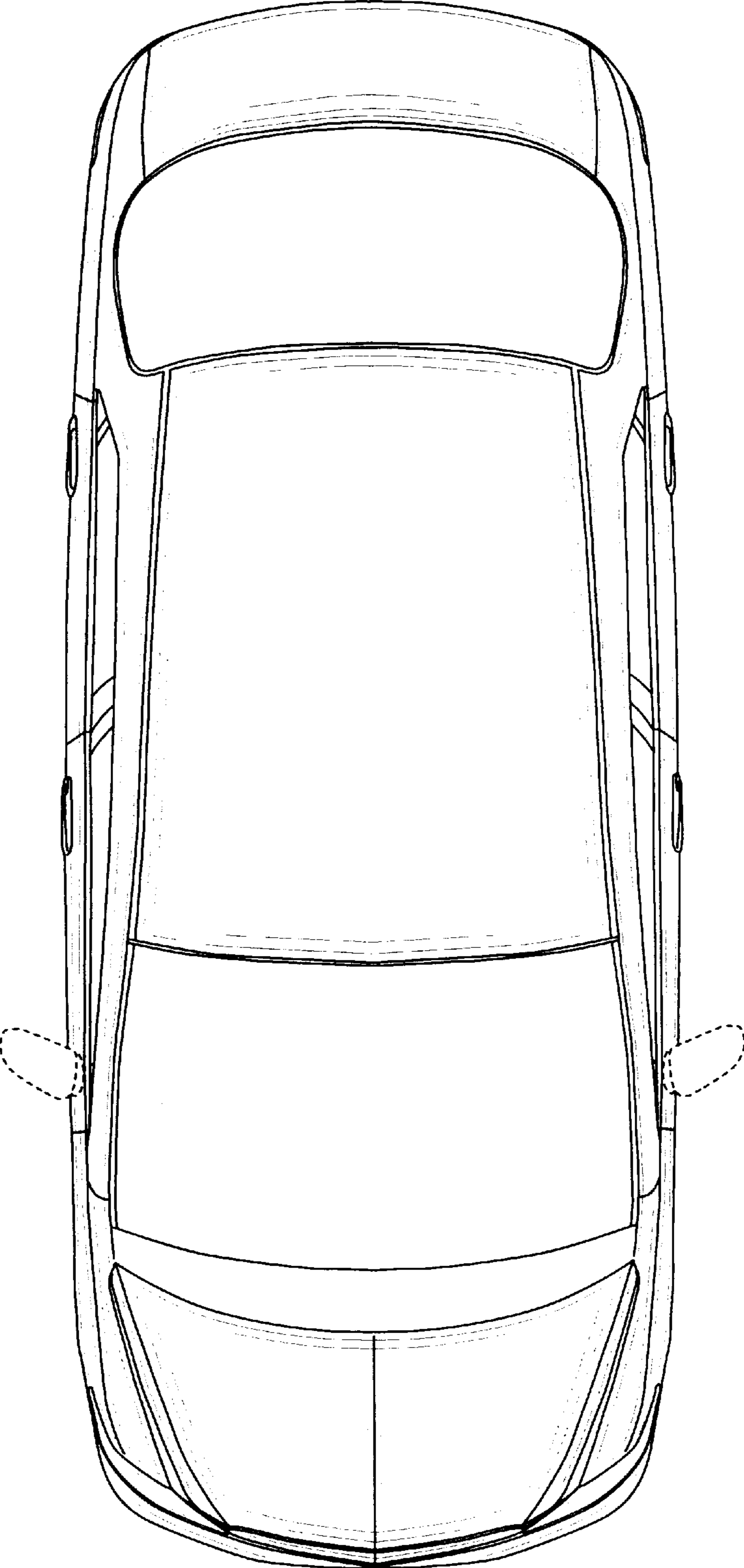


Fig.3

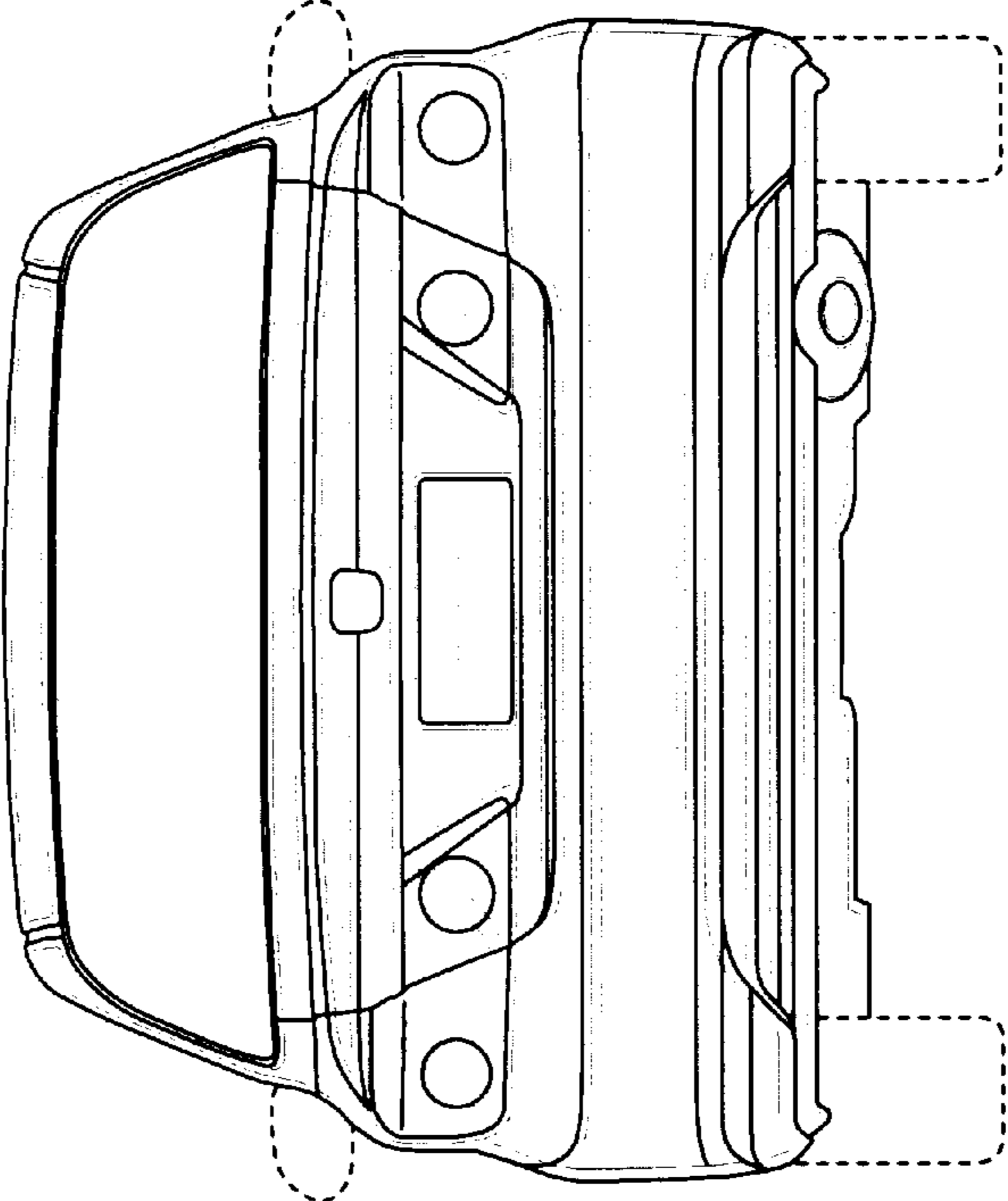


Fig.4

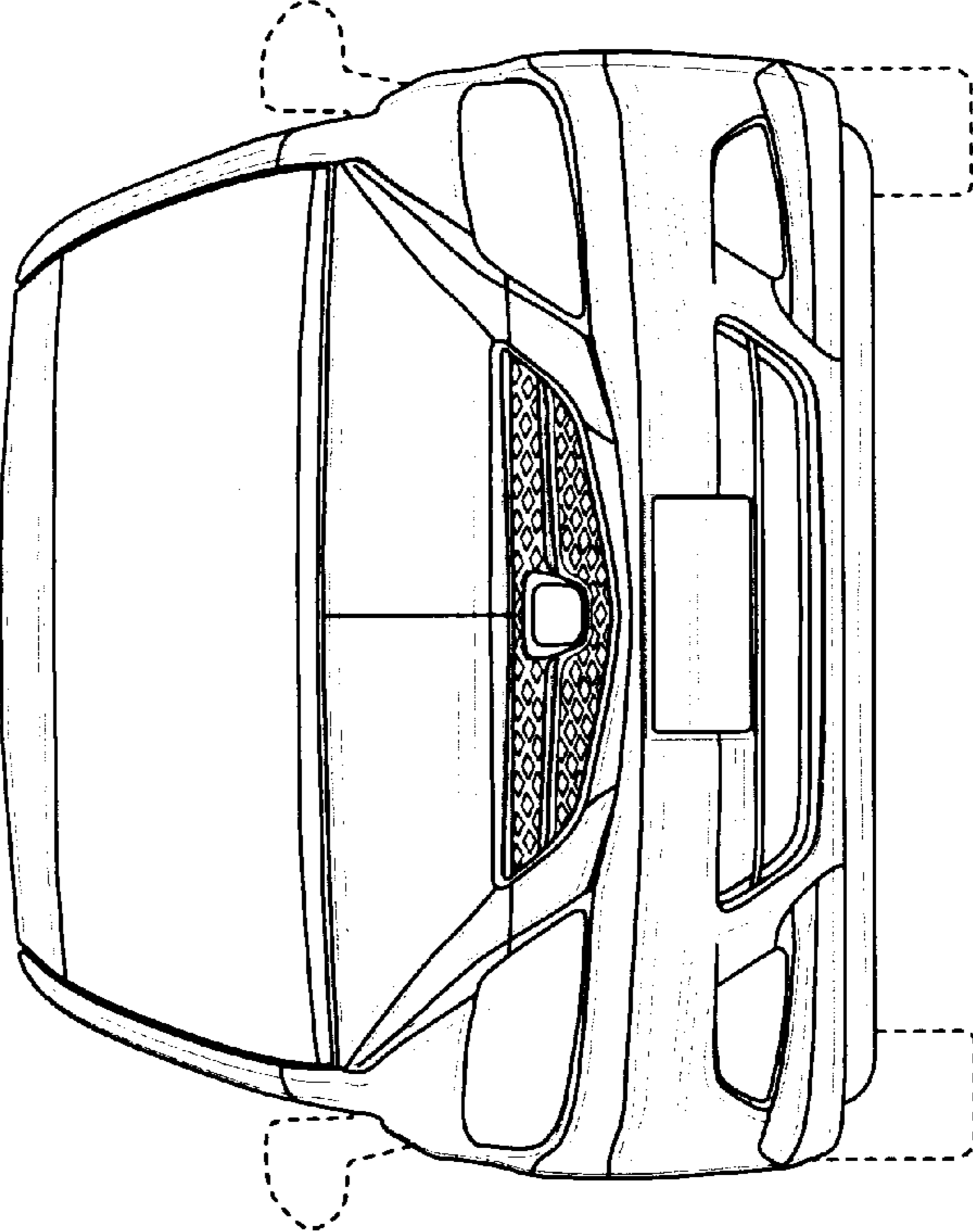


Fig.5

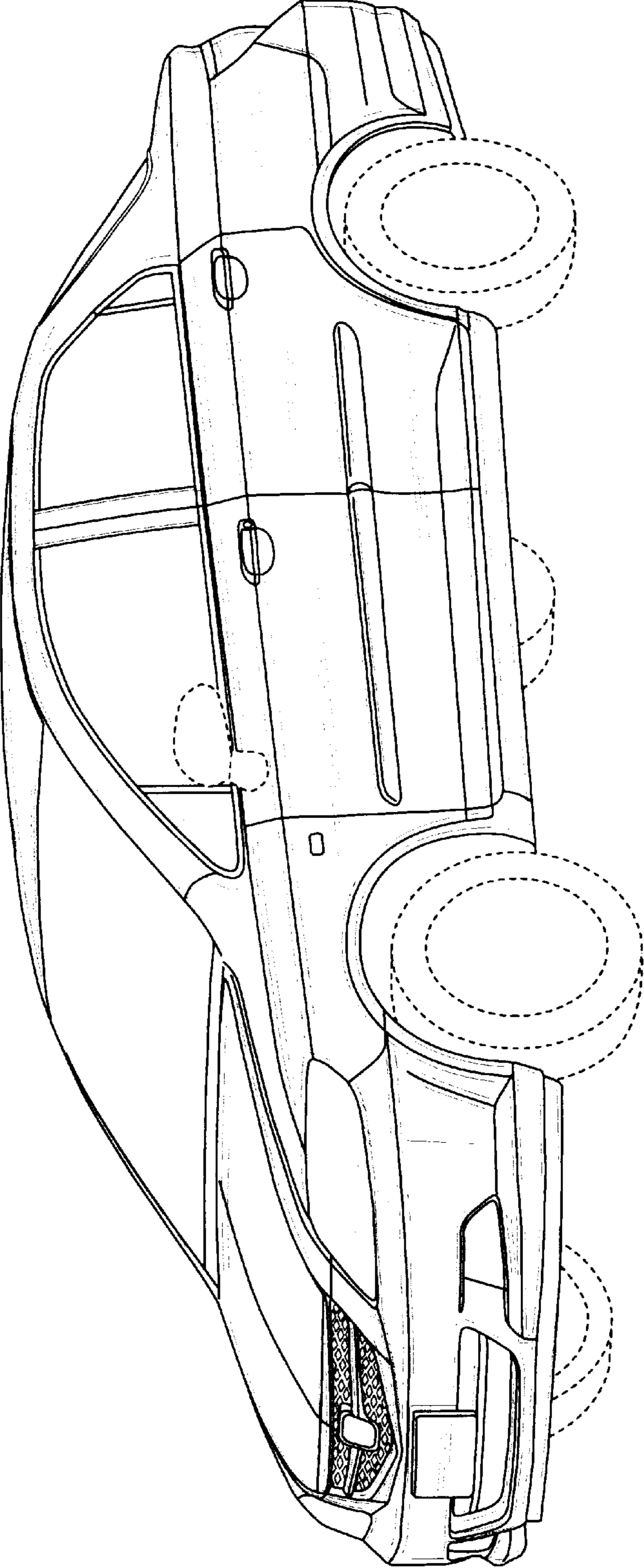


Fig.6

