



US00D537382S

(12) **United States Design Patent**  
**Yang**

(10) **Patent No.:** **US D537,382 S**

(45) **Date of Patent:** **\*\* Feb. 27, 2007**

(54) **BUCKLE**

D470,657 S \* 2/2003 Kawamura ..... D3/247  
D478,023 S \* 8/2003 Chen ..... D11/216  
7,089,633 B2 \* 8/2006 Liu ..... 24/615

(75) Inventor: **Shih-Sheng Yang, Wu Ku Shiang (TW)**

(73) Assignee: **Universal Trim Supply Co., Ltd., Wu Ku Industrial Zone (TW)**

\* cited by examiner

(\*\*) Term: **14 Years**

*Primary Examiner*—Ralf Seifert  
(74) *Attorney, Agent, or Firm*—Troxell Law Office, PLLC

(21) Appl. No.: **29/256,226**

(22) Filed: **Mar. 20, 2006**

(57) **CLAIM**

The ornamental design for a buckle, as shown and described.

(30) **Foreign Application Priority Data**

Jan. 27, 2006 (TW) ..... 095300494

**DESCRIPTION**

(51) **LOC (8) Cl.** ..... **02-07**

FIG. 1 is a perspective view of a buckle;

(52) **U.S. Cl.** ..... **D11/216**

FIG. 2 is a front view thereof;

(58) **Field of Classification Search** ..... D11/200,  
D11/201, 208–210, 212–218, 220, 230–234,  
D11/236–237, 86–87, 94; 63/15.2, 15; 24/307,  
24/625, 616, 200, 196, 637, 171, 169, 112,  
24/614, 615

FIG. 3 is a back view thereof;

FIG. 4 is a left side view thereof;

FIG. 5 is a right side view thereof;

See application file for complete search history.

FIG. 6 is a top view thereof; and,

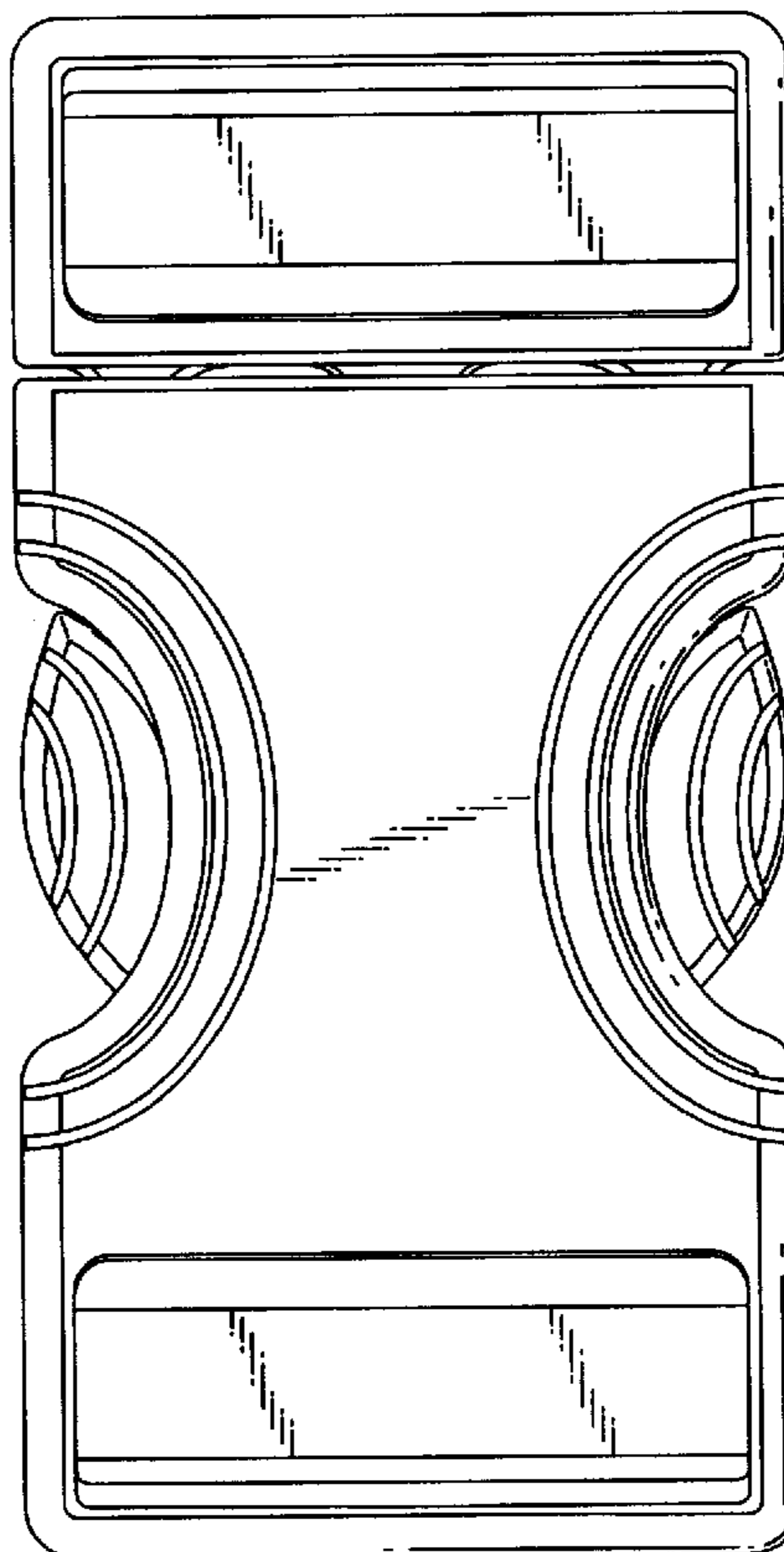
FIG. 7 is a bottom view thereof.

(56) **References Cited**

**U.S. PATENT DOCUMENTS**

D349,664 S \* 8/1994 Ueno ..... D11/216

**1 Claim, 5 Drawing Sheets**



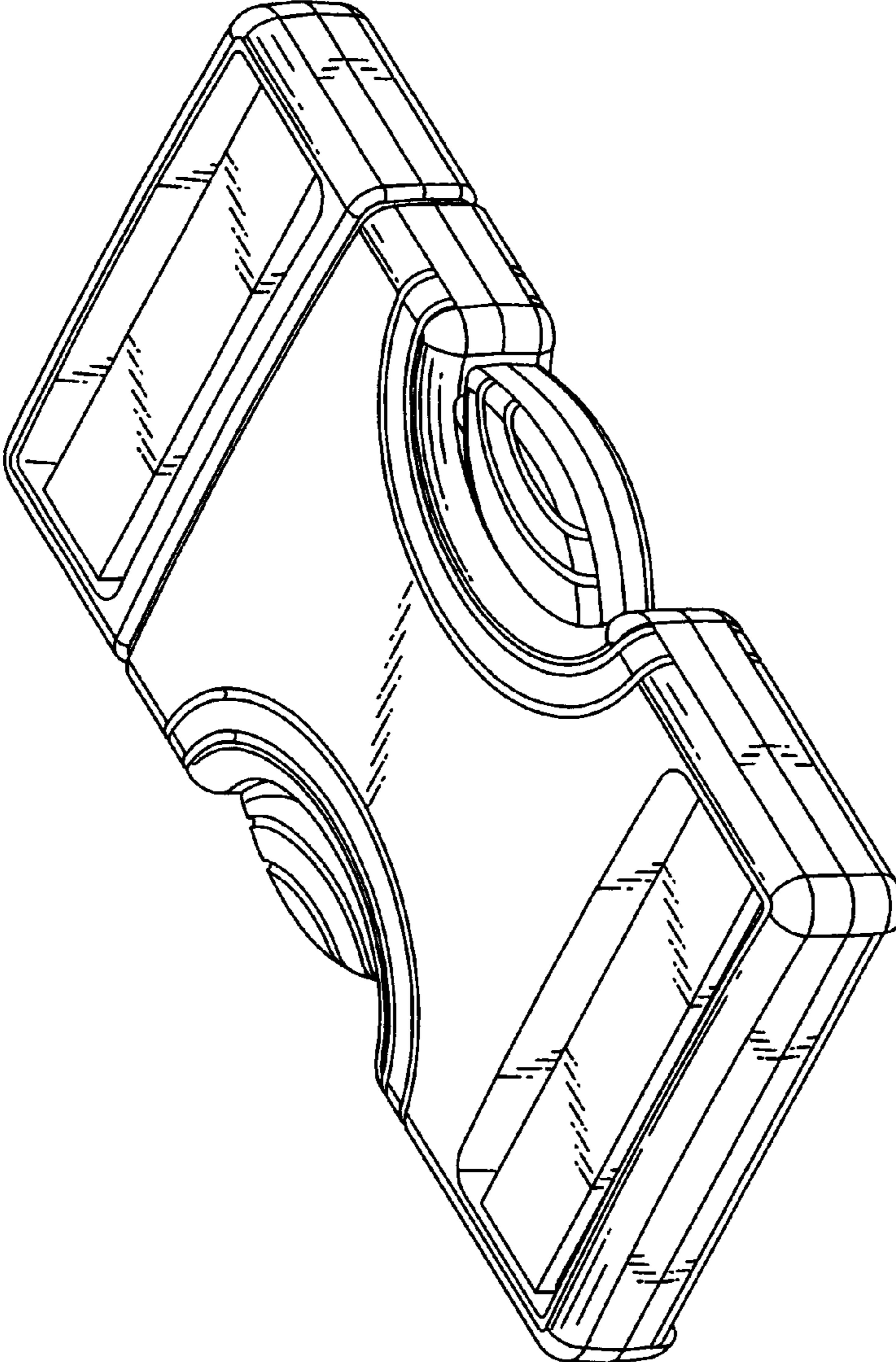


FIG. 1

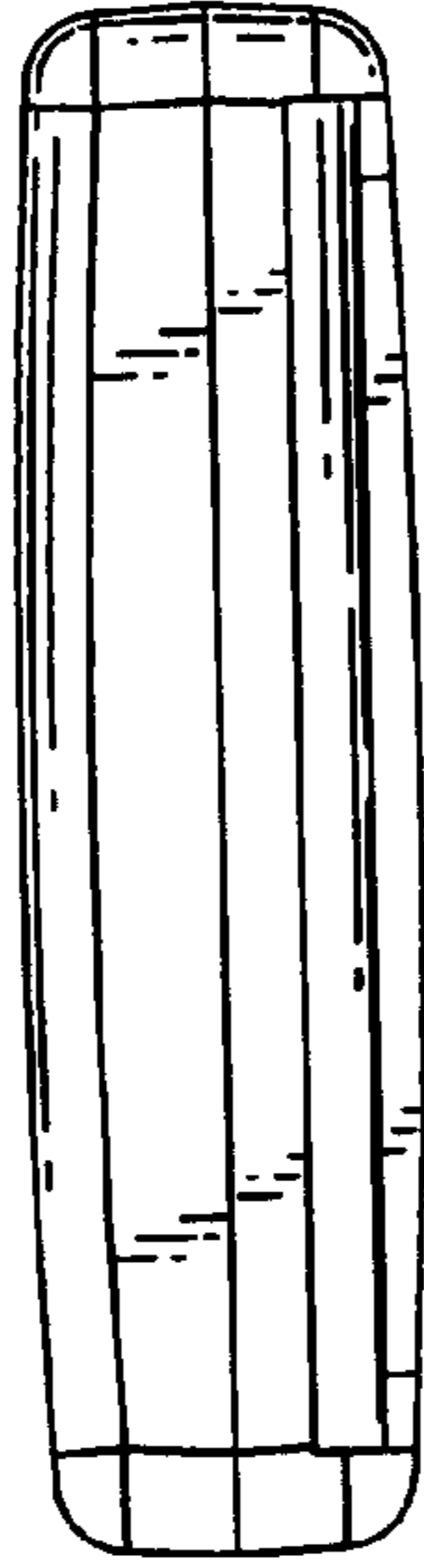


FIG. 3

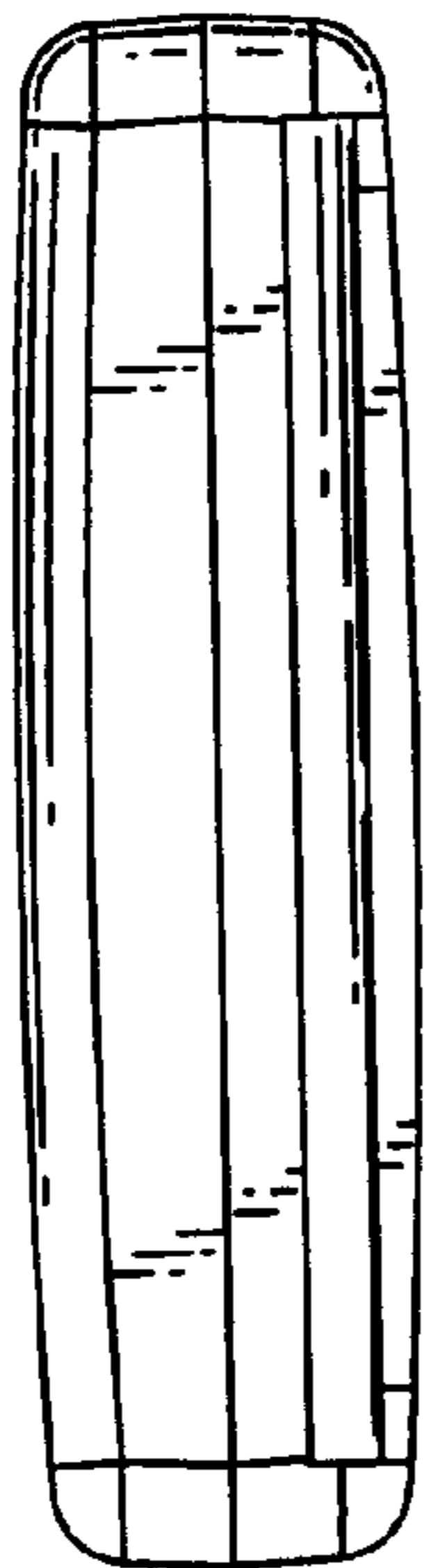


FIG. 2

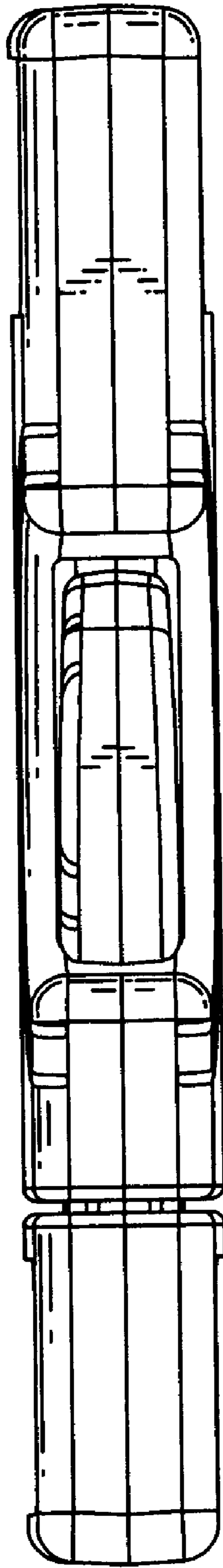


FIG. 4

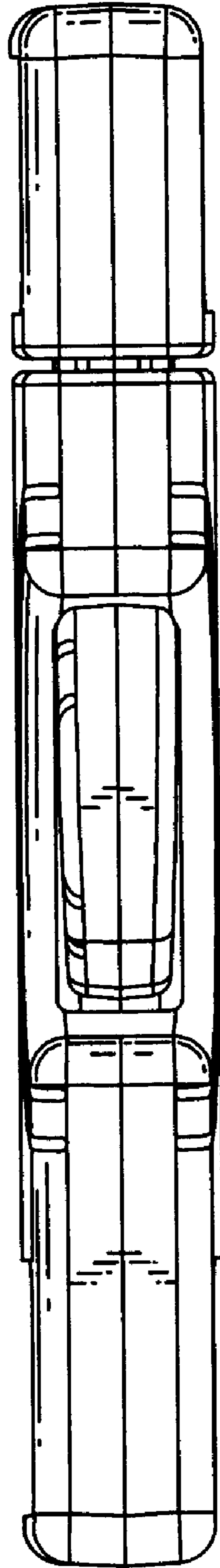


FIG. 5

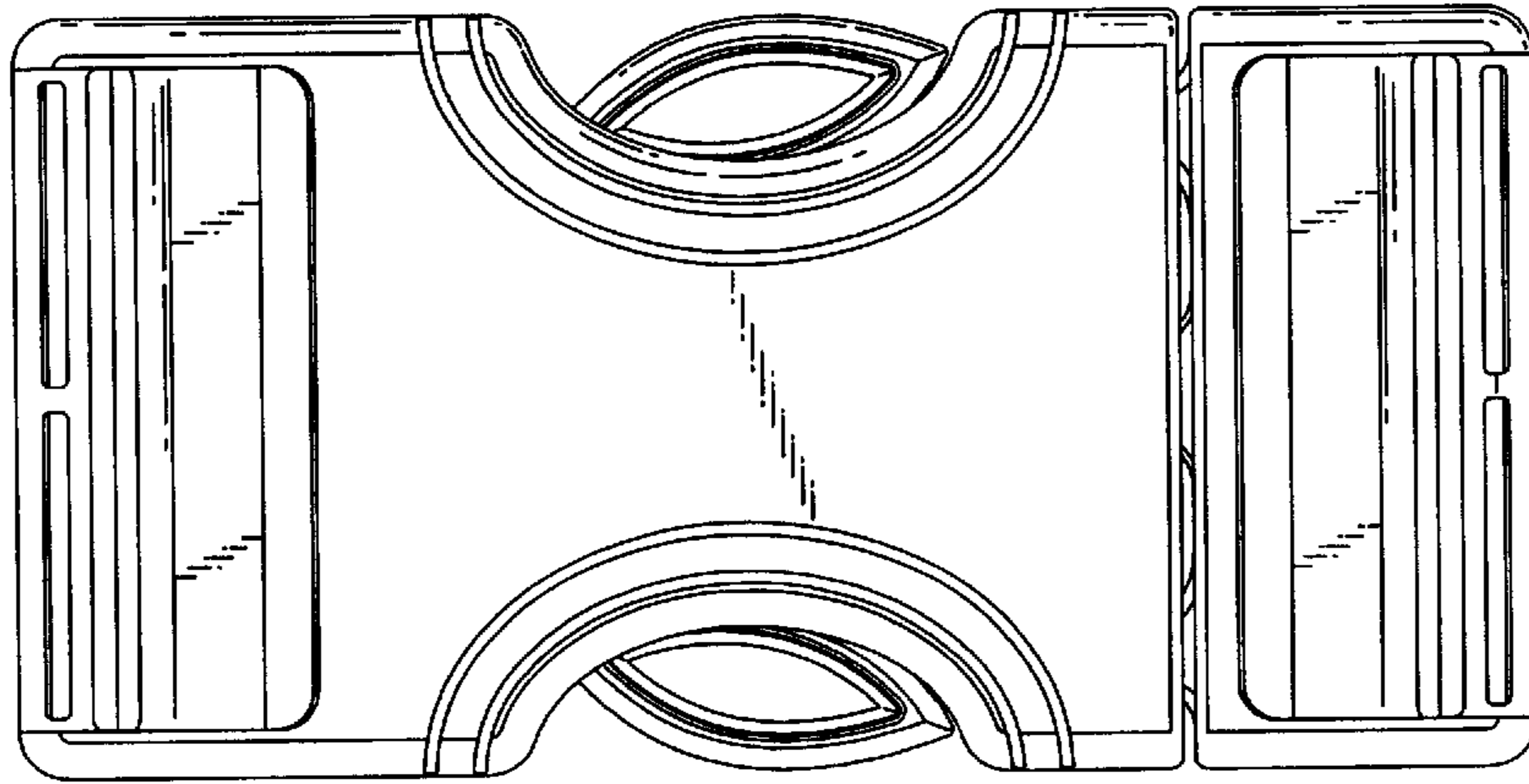


FIG. 7

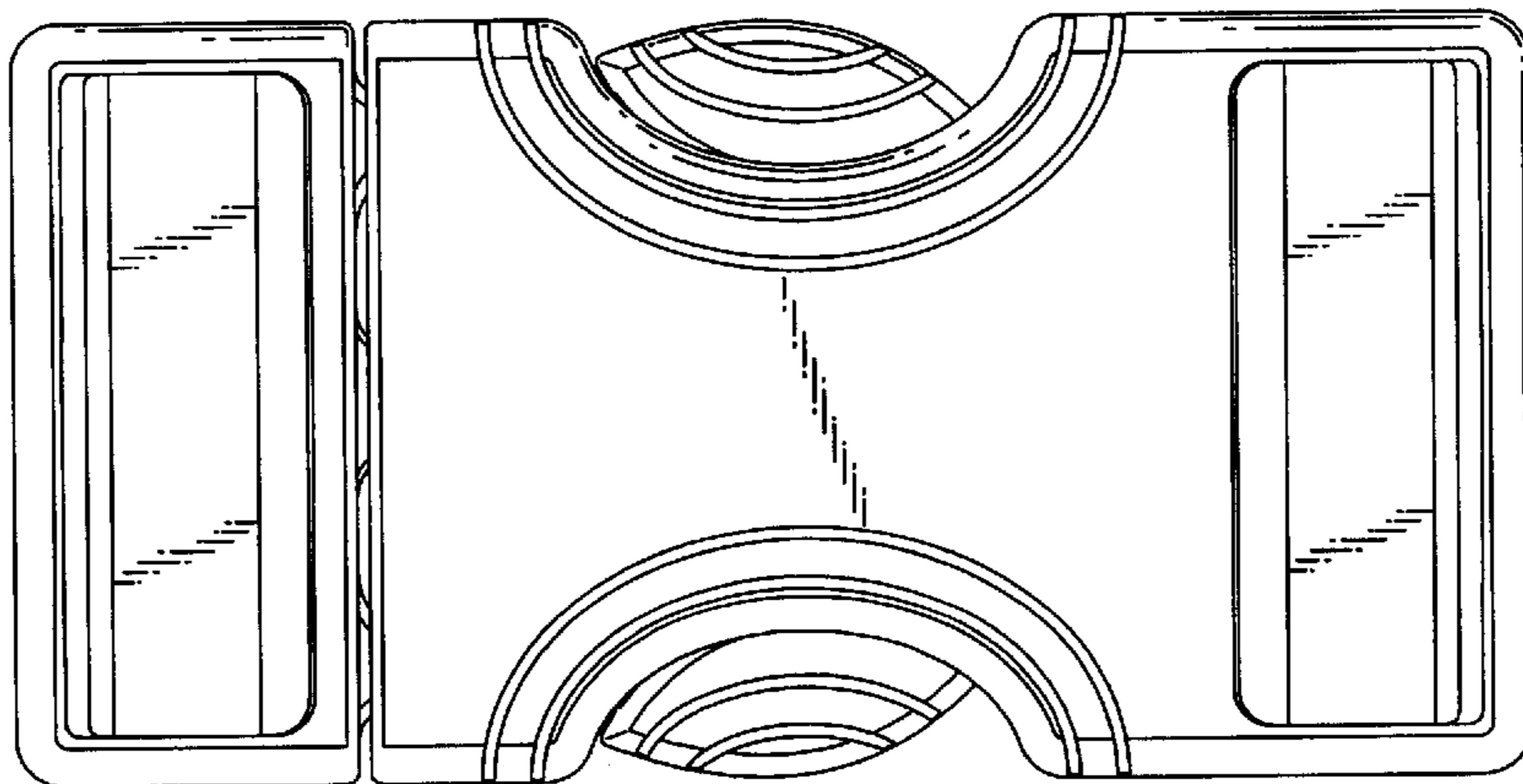


FIG. 6