



US00D537381S

(12) **United States Design Patent**
Howell

(10) **Patent No.:** **US D537,381 S**

(45) **Date of Patent:** **** Feb. 27, 2007**

- (54) **MESSAGE NOVELTY ITEM**
- (76) **Inventor:** **Terrence Howell**, 3645 Granite Way,
Wellington, NV (US) 89444
- (**) **Term:** **14 Years**
- (21) **Appl. No.:** **29/252,495**
- (22) **Filed:** **Jan. 24, 2006**
- (51) **LOC (8) Cl.** **11-03**
- (52) **U.S. Cl.** **D11/116**
- (58) **Field of Classification Search** D11/1-2,
D11/7, 40-44, 46-49, 53, 56-57, 59-61,
D11/63, 65, 79-83, 86-87, 89-90, 99, 91-92,
D11/101, 106, 114-116, 200-201; 63/1.11,
63/18-20; D3/207-211
See application file for complete search history.

- D319,414 S * 8/1991 Moore D11/95
- D354,020 S 1/1995 Lewis
- D365,040 S 12/1995 Whitman
- D381,599 S 7/1997 Hamblin
- D385,214 S 10/1997 Cappoza
- D389,778 S 1/1998 Cloud
- 5,926,985 A 7/1999 Arbuckle
- D493,101 S 7/2004 Dougherty et al.

* cited by examiner

Primary Examiner—Ralf Seifert

(74) *Attorney, Agent, or Firm*—Lawrence J. Gibney, Jr.

(57) **CLAIM**

The ornamental design for message novelty Item, as shown and described.

DESCRIPTION

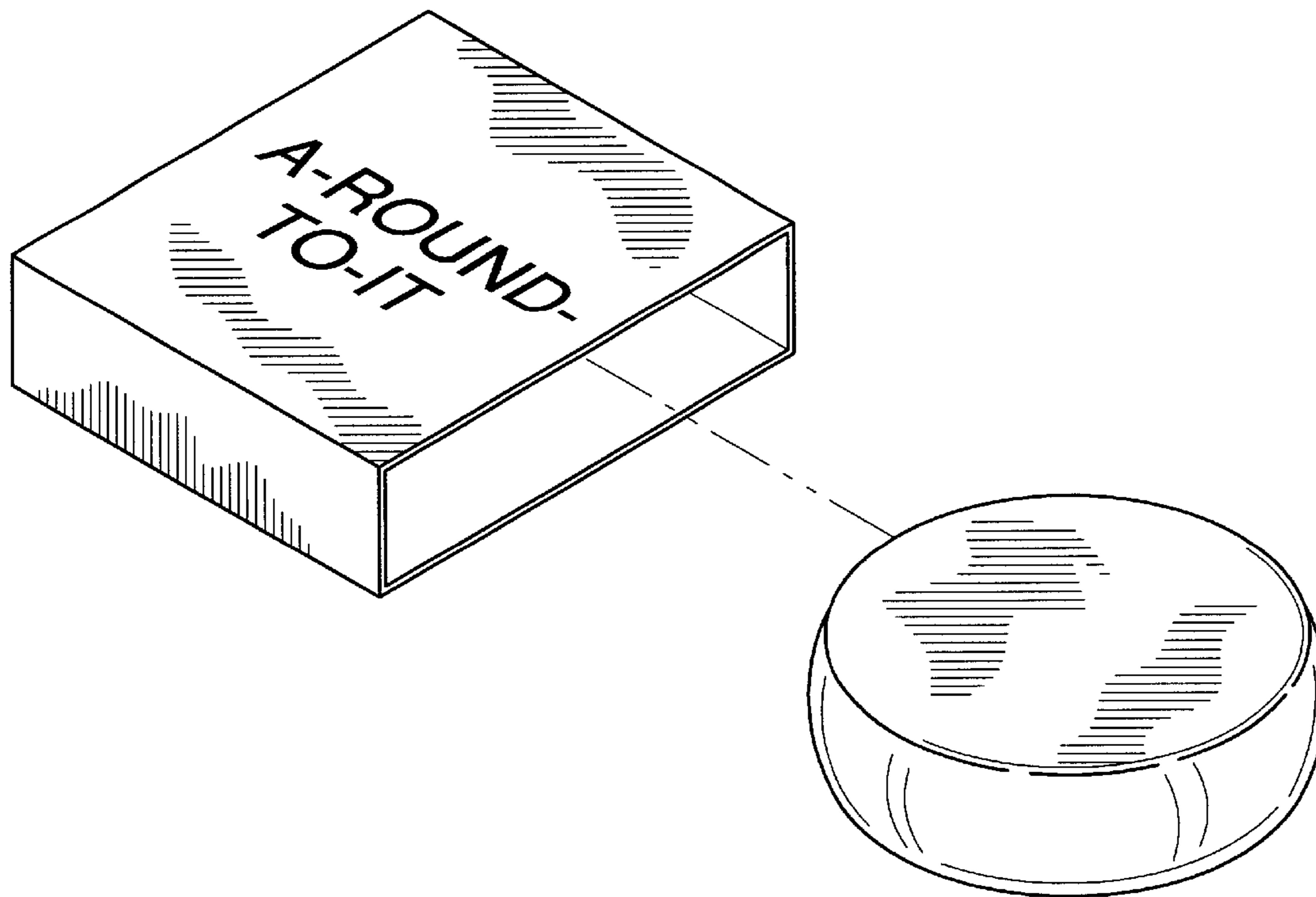
FIG. 1 is a top view of a message novelty item with the container and reminder notepad;
 FIG. 2 is a bottom view thereof;
 FIG. 3 is a back view thereof;
 FIG. 4 is a front view thereof;
 FIG. 5 is a side view thereof; and,
 FIG. 6 is an isometric view thereof.

1 Claim, 6 Drawing Sheets

(56) **References Cited**

U.S. PATENT DOCUMENTS

- 3,295,651 A * 1/1967 Klackowski et al. 194/214
- 4,647,510 A 3/1987 Mandarano et al.
- 4,836,823 A 6/1989 Laven
- D315,120 S * 3/1991 McConnell, III D11/116
- D318,252 S 7/1991 Bakter



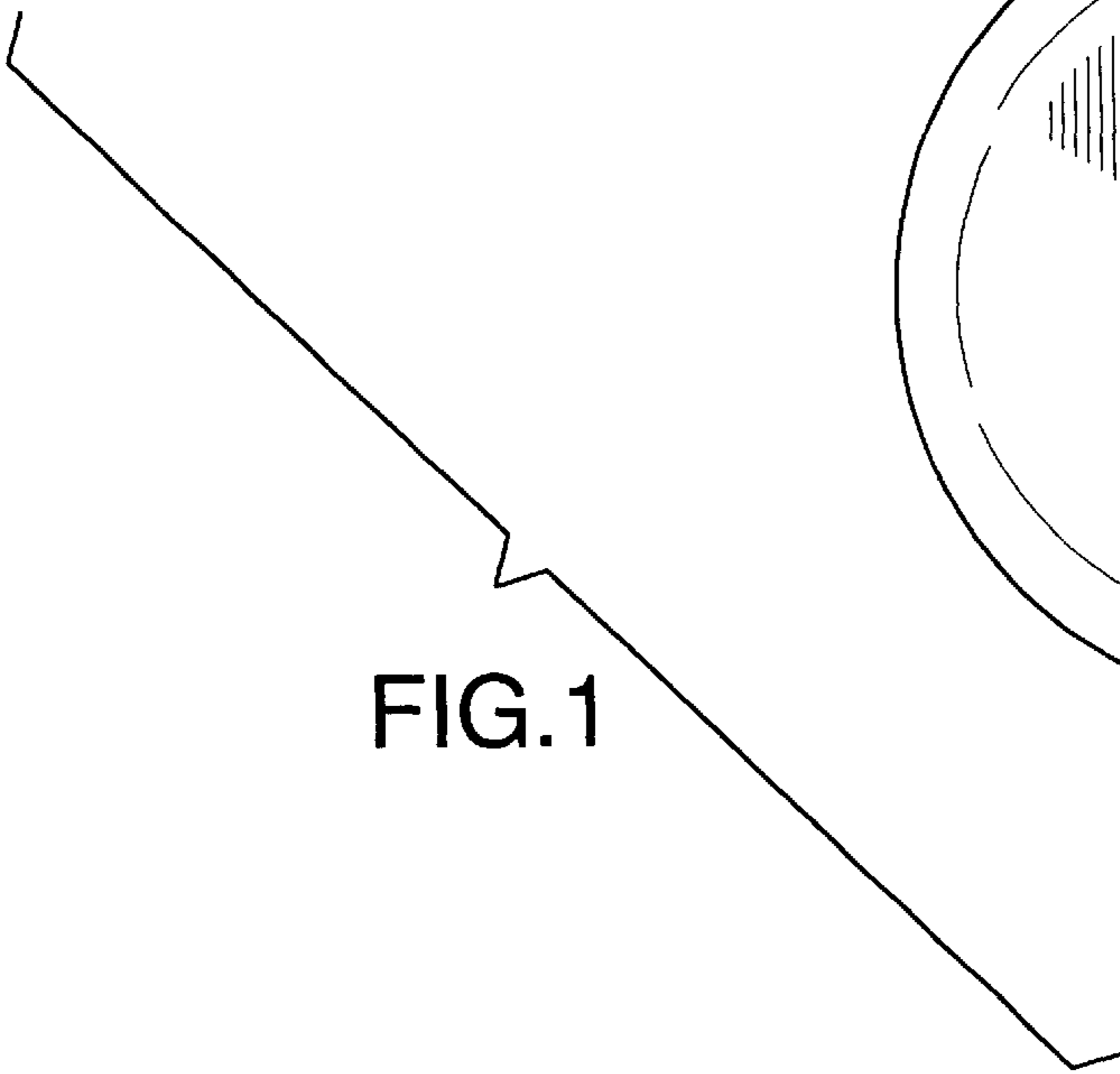
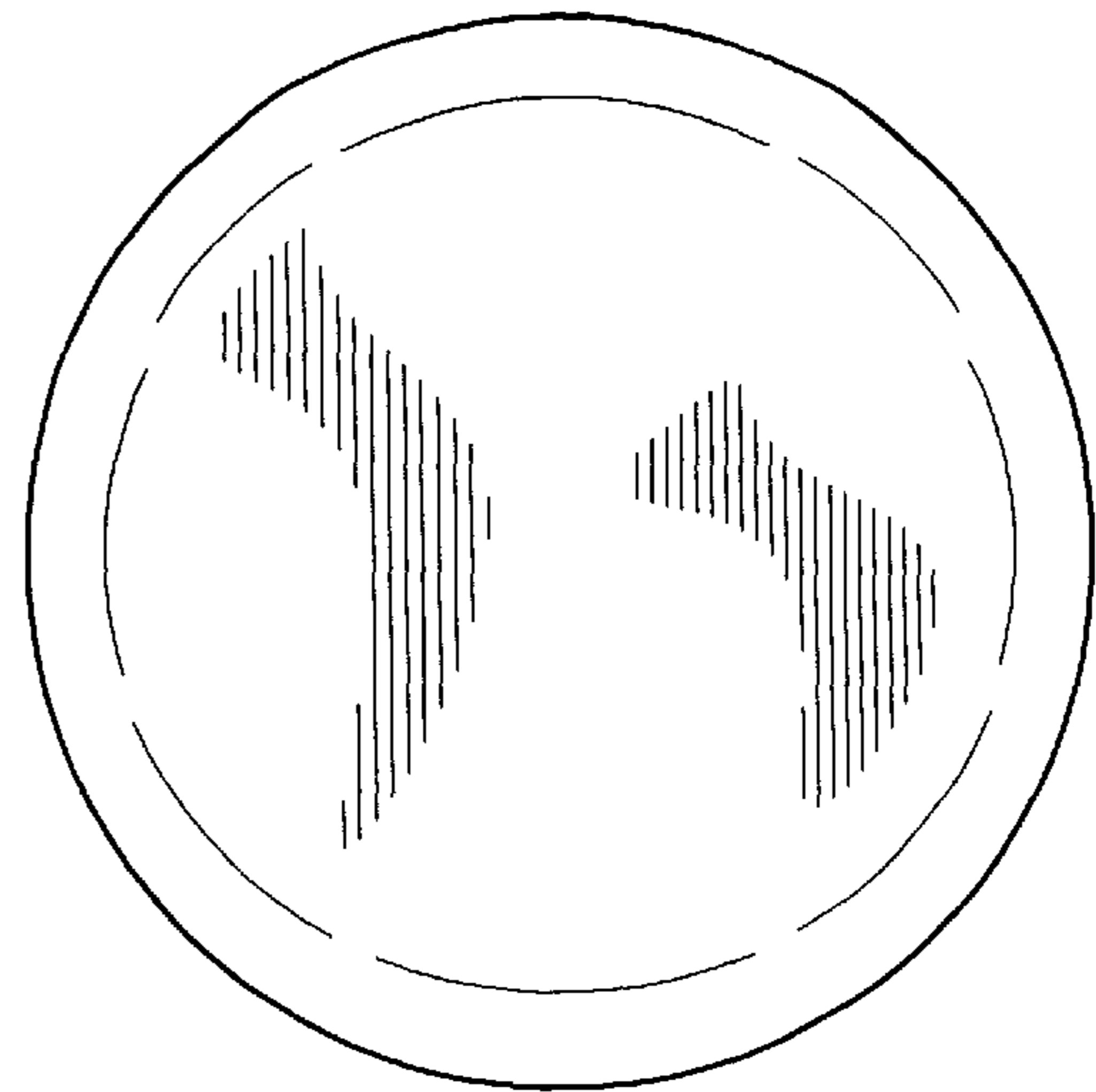
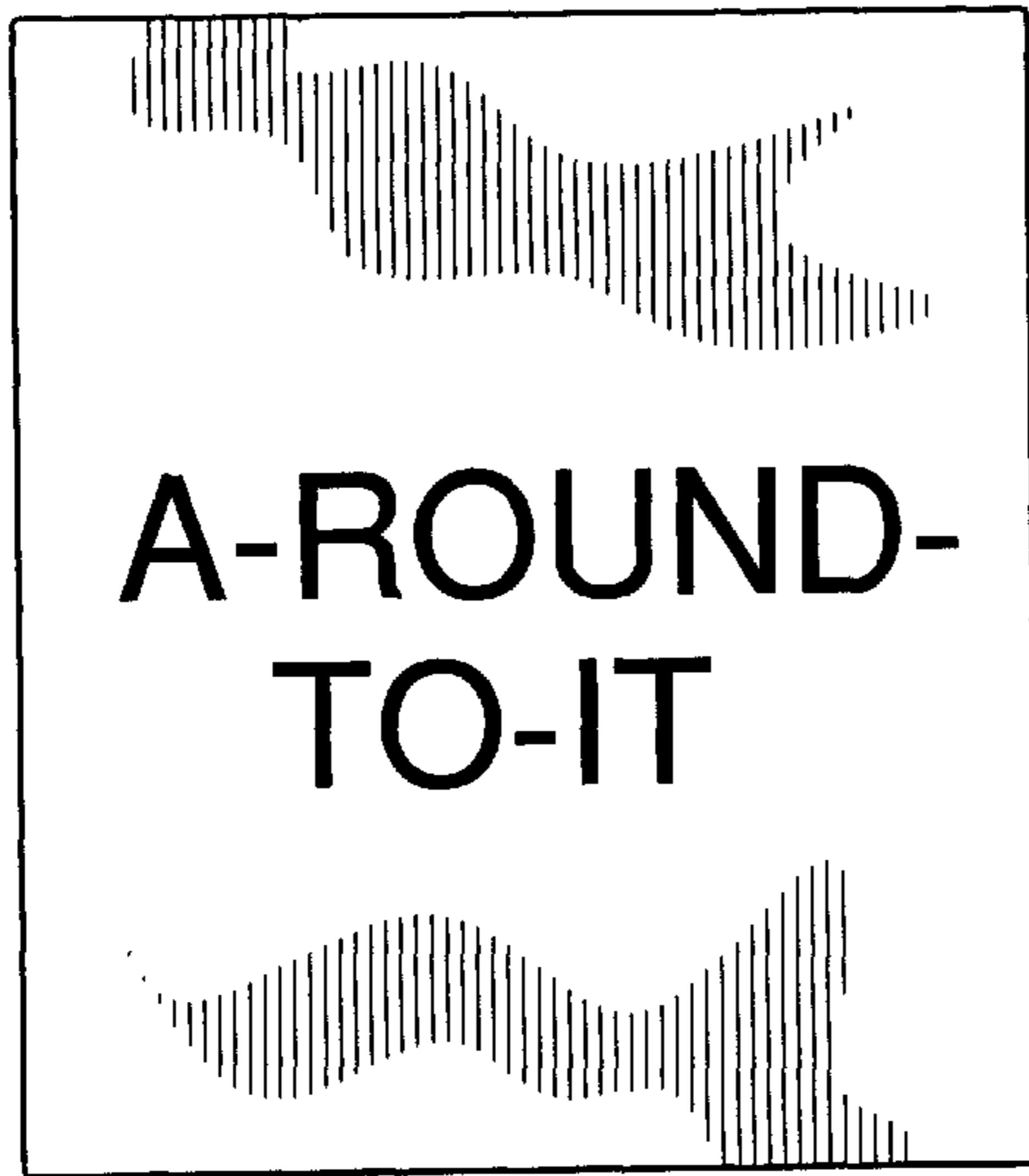


FIG. 1

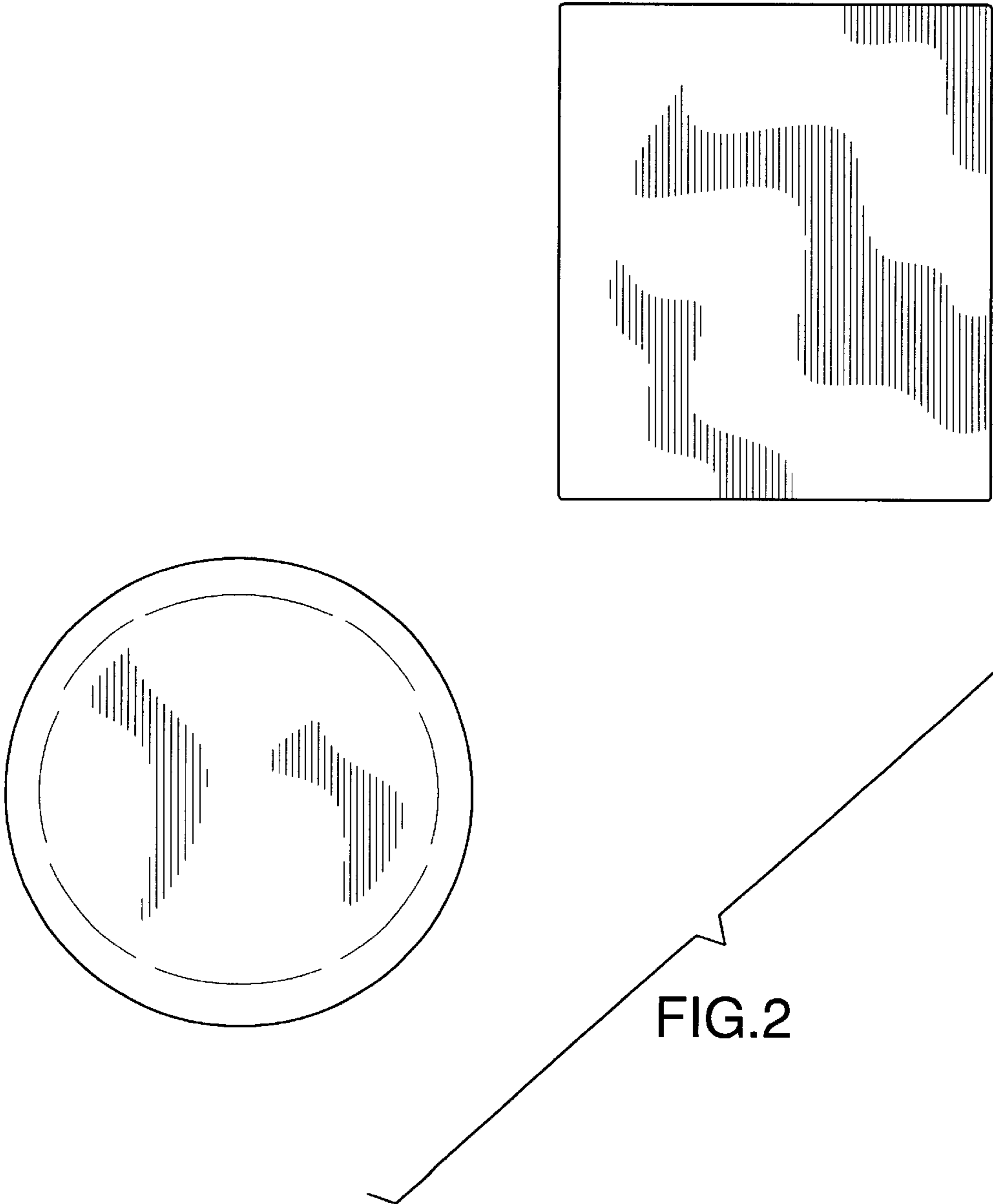


FIG.2

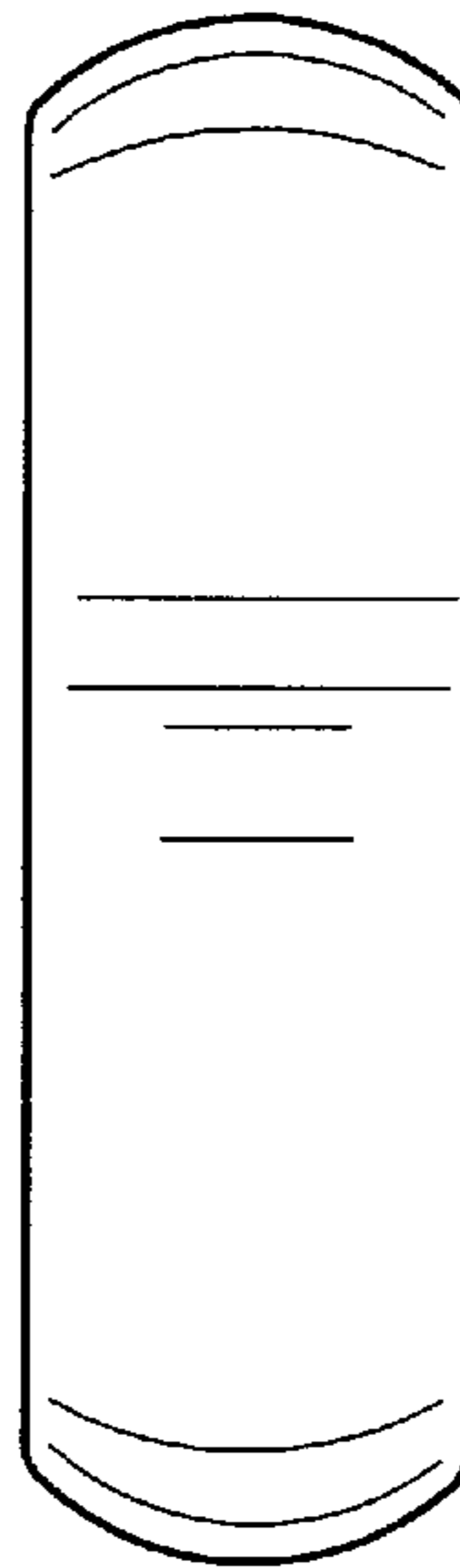
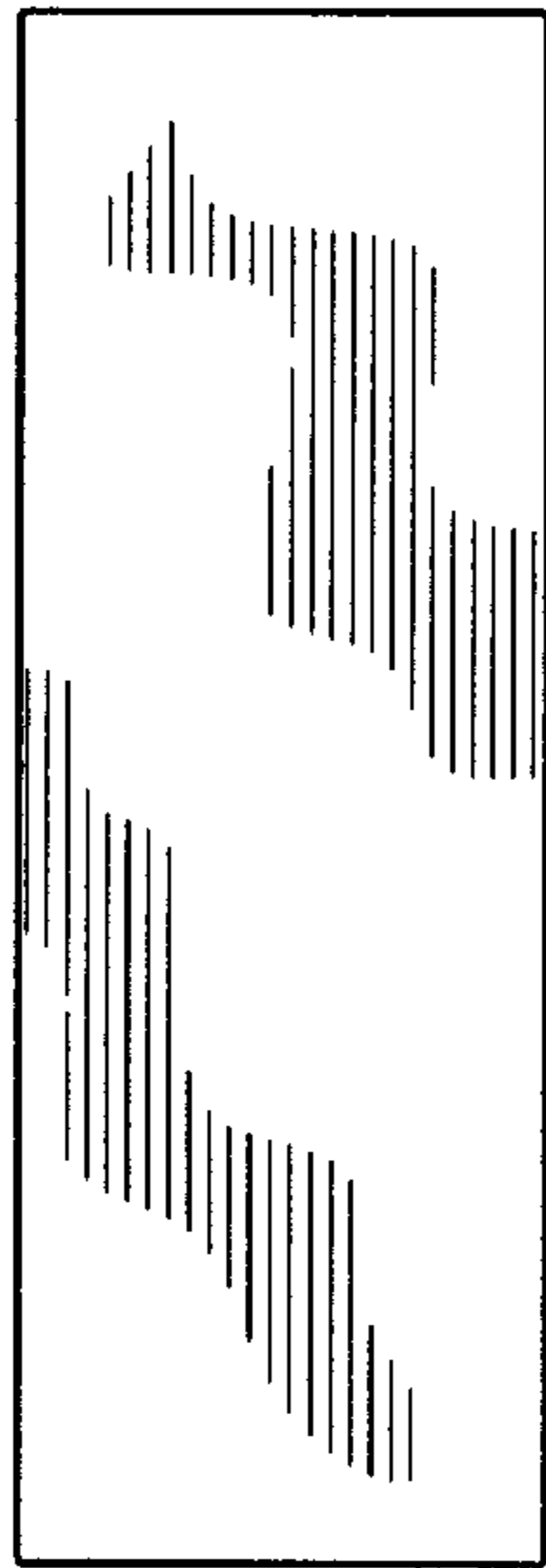


FIG.3

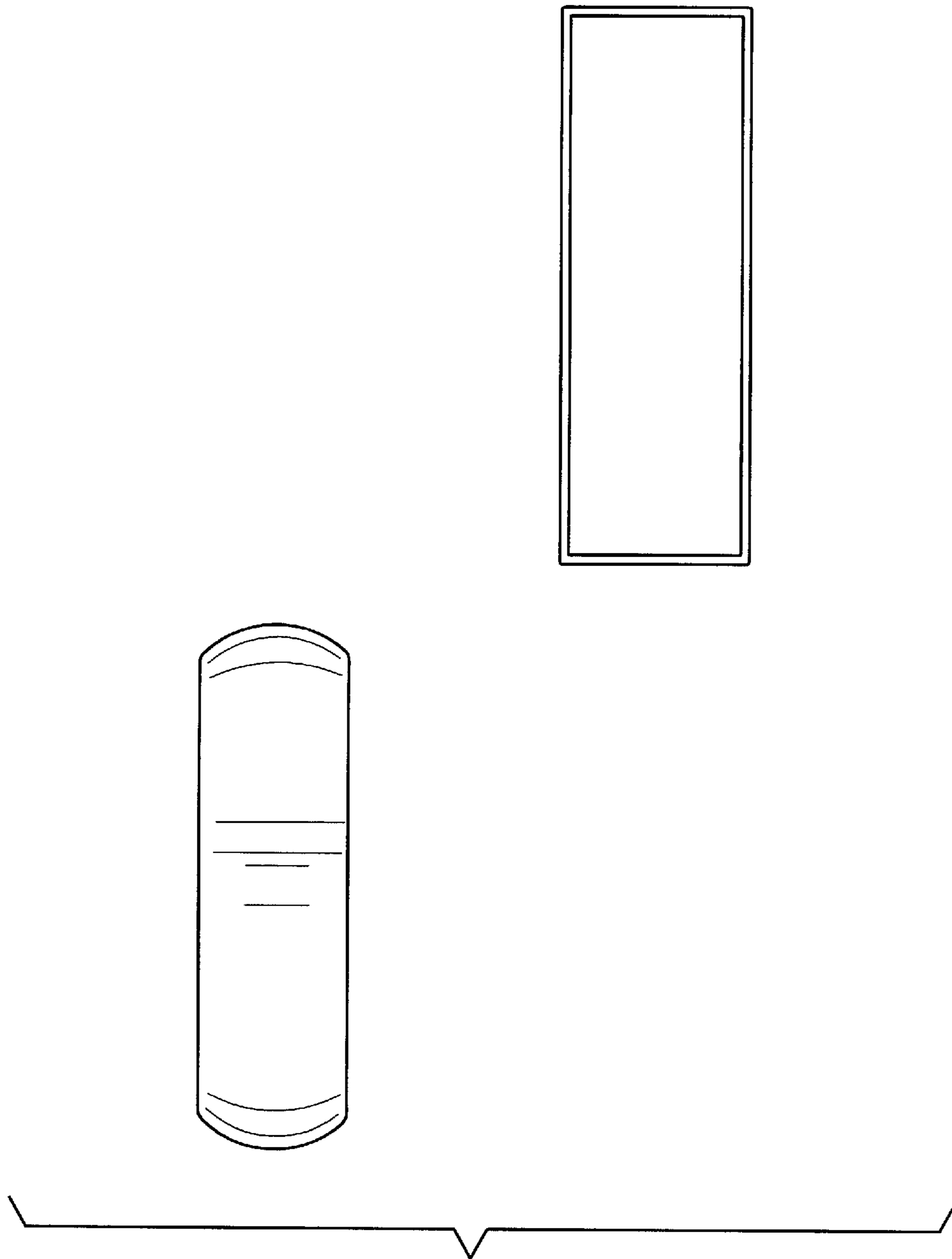


FIG.4

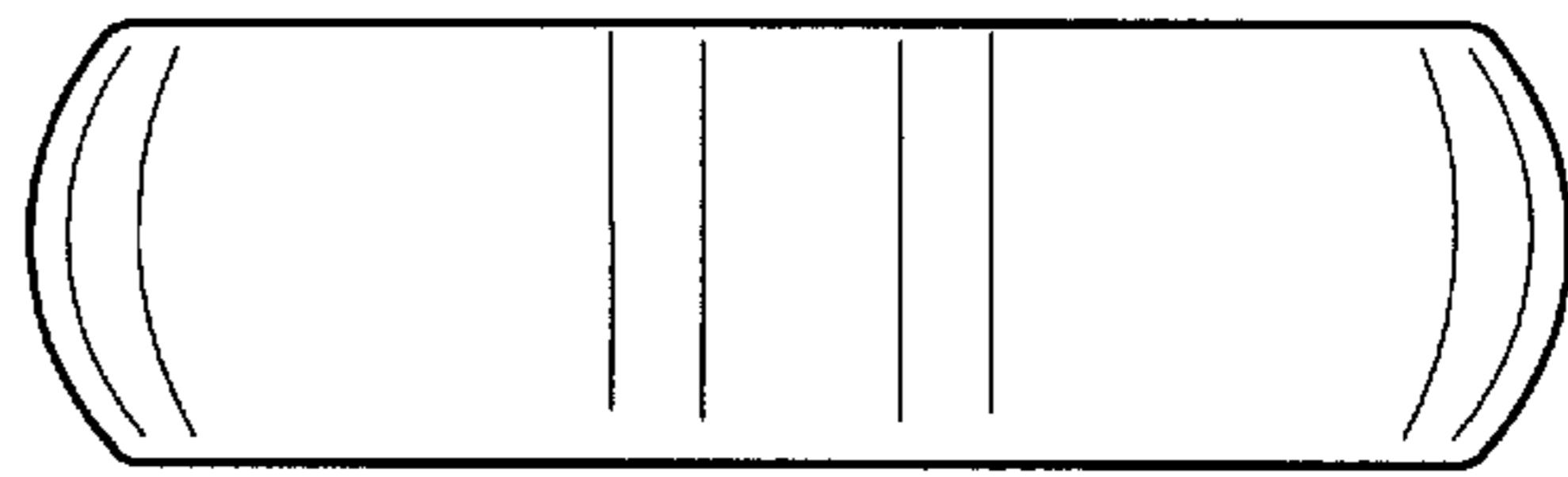
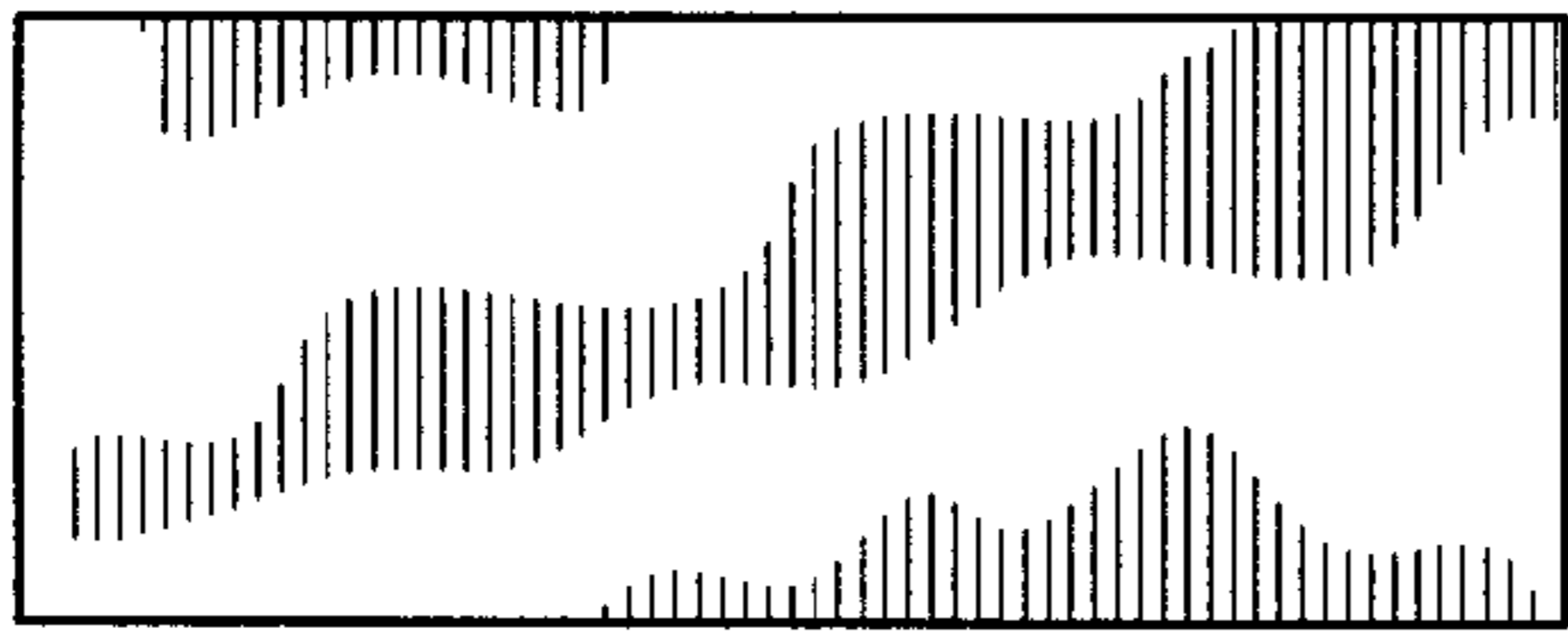


FIG.5

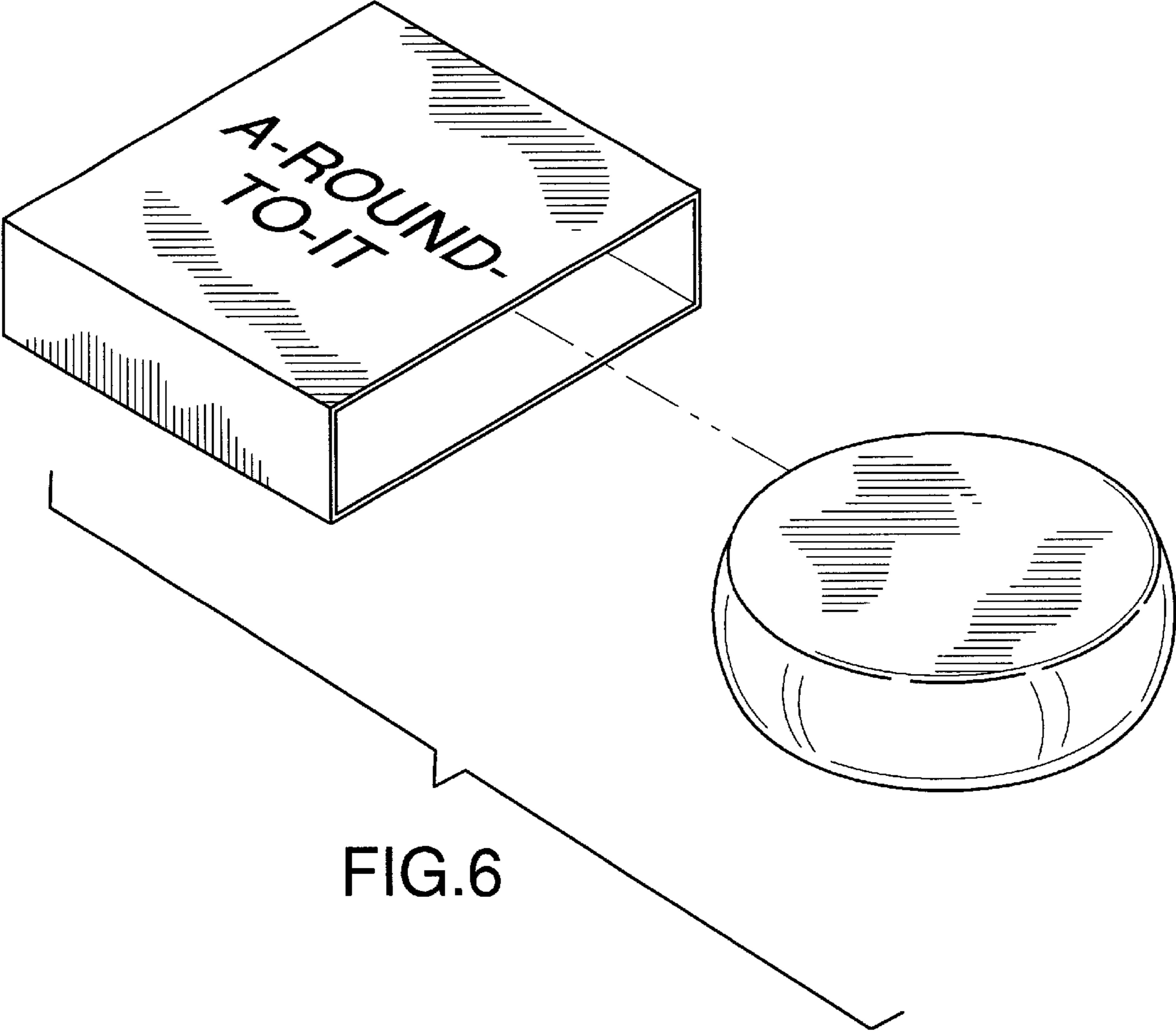


FIG.6