



US00D537373S

(12) **United States Design Patent**  
**Lin**

(10) **Patent No.:** **US D537,373 S**

(45) **Date of Patent:** **\*\* Feb. 27, 2007**

(54) **LASER LEVELER**

D523,363 S \* 6/2006 Wu ..... D10/69

(75) Inventor: **Golden Lin**, Sijhih (TW)

\* cited by examiner

(73) Assignee: **Quarton Inc.**, Taipei County (TW)

*Primary Examiner*—Antoine D. Davis

*Assistant Examiner*—Patricia Palasik

(\*\*) Term: **14 Years**

(74) *Attorney, Agent, or Firm*—Troxell Law Office, PLLC

(21) Appl. No.: **29/258,212**

(57) **CLAIM**

(22) Filed: **Apr. 19, 2006**

The ornamental design for a laser leveler, as shown and described.

(51) **LOC (8) Cl.** ..... **10-04**

**DESCRIPTION**

(52) **U.S. Cl.** ..... **D10/69**

(58) **Field of Classification Search** ..... D10/69,  
D10/74; 33/365, 366.11–366.27, 367–391  
See application file for complete search history.

FIG. 1 is a perspective view of laser leveler showing my design;

FIG. 2 is a front side view thereof;

FIG. 3 is a rear side view thereof;

FIG. 4 is a left side view thereof;

FIG. 5 is a right side view thereof;

FIG. 6 is a top side view thereof; and,

FIG. 7 is a bottom side view thereof.

(56) **References Cited**

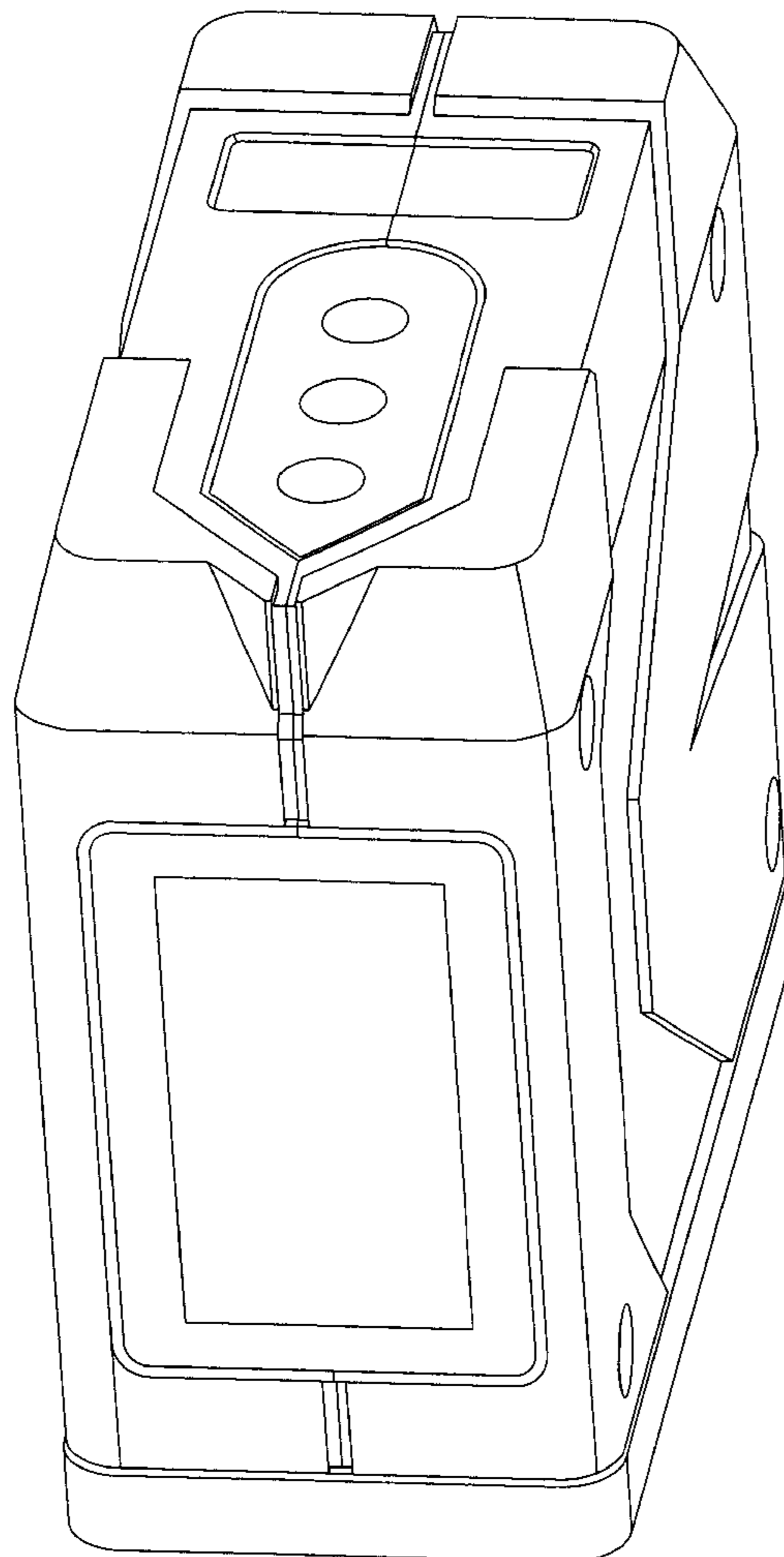
**U.S. PATENT DOCUMENTS**

D470,424 S \* 2/2003 Hand et al. .... D10/69

D494,075 S \* 8/2004 Chen ..... D10/69

D509,157 S \* 9/2005 Wu ..... D10/69

**1 Claim, 5 Drawing Sheets**



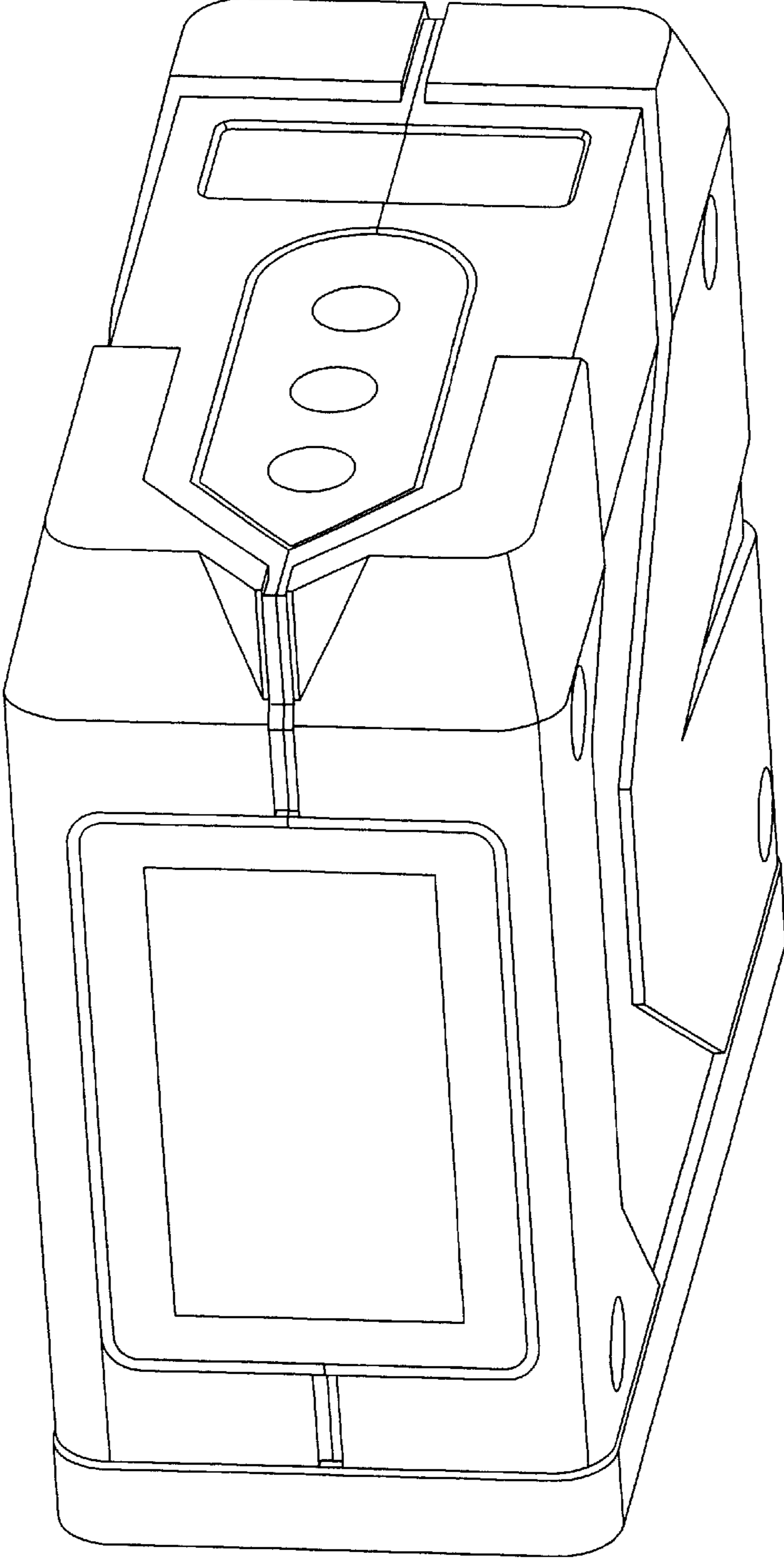


FIG. 1

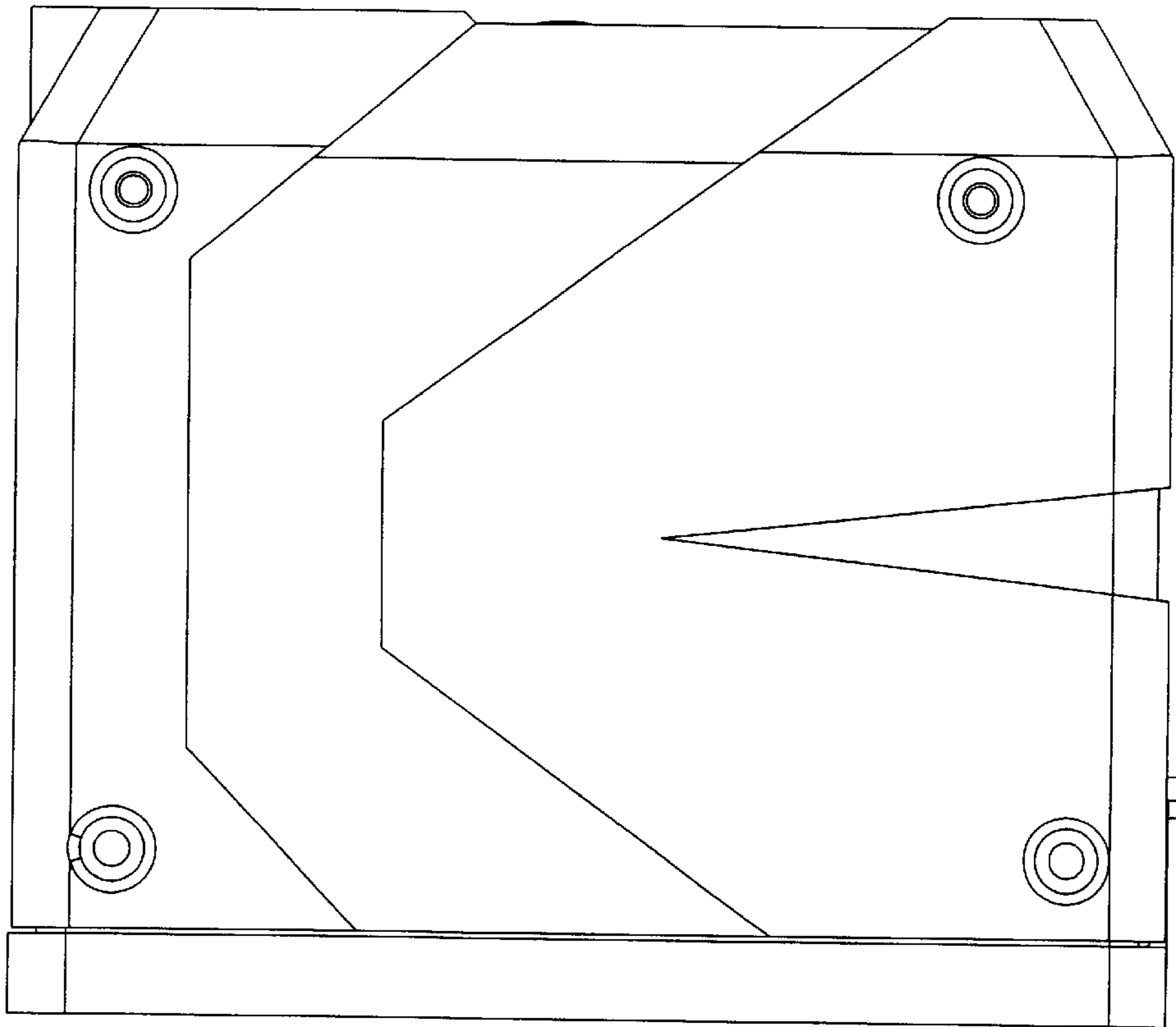


FIG. 2

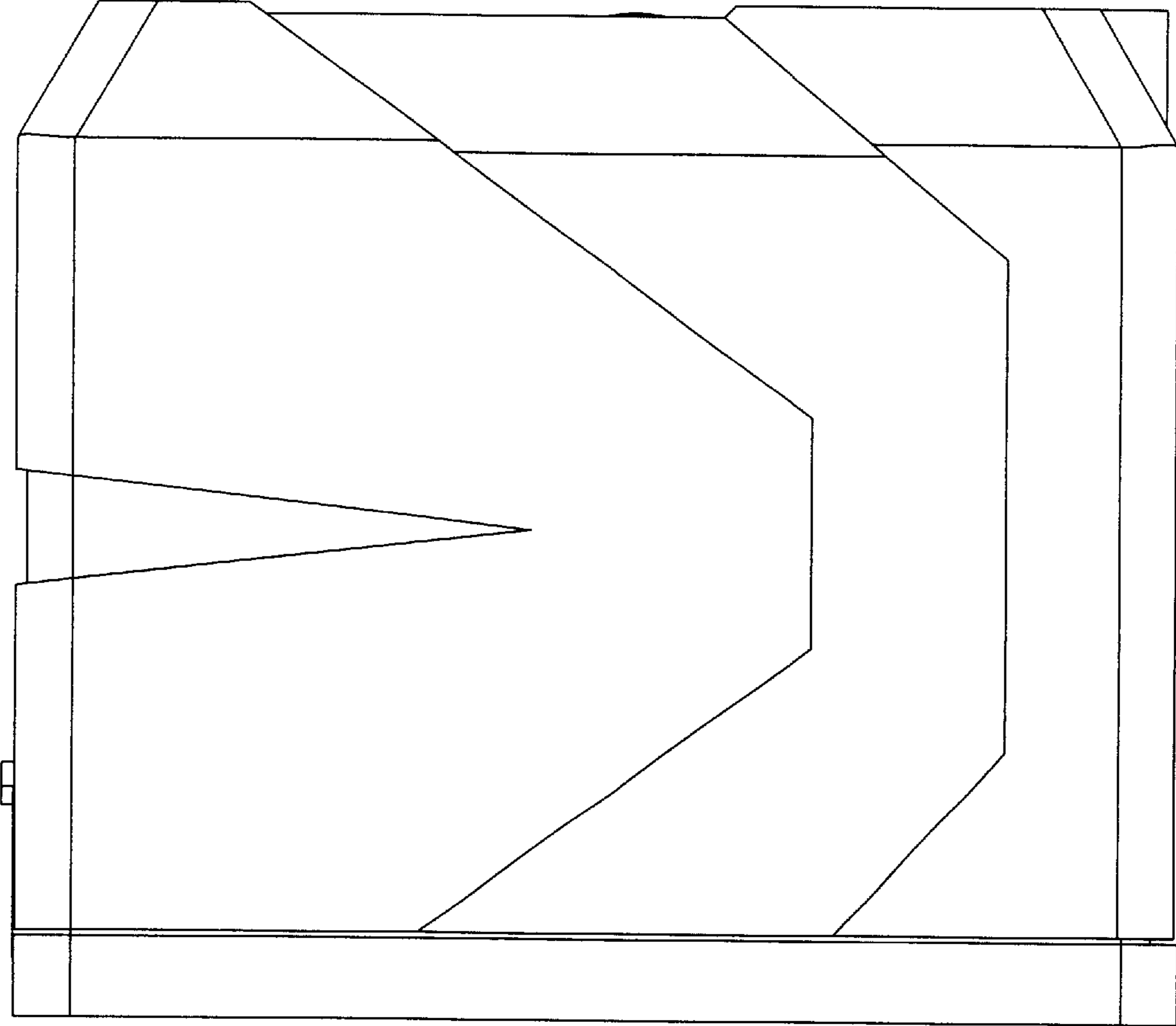


FIG. 3

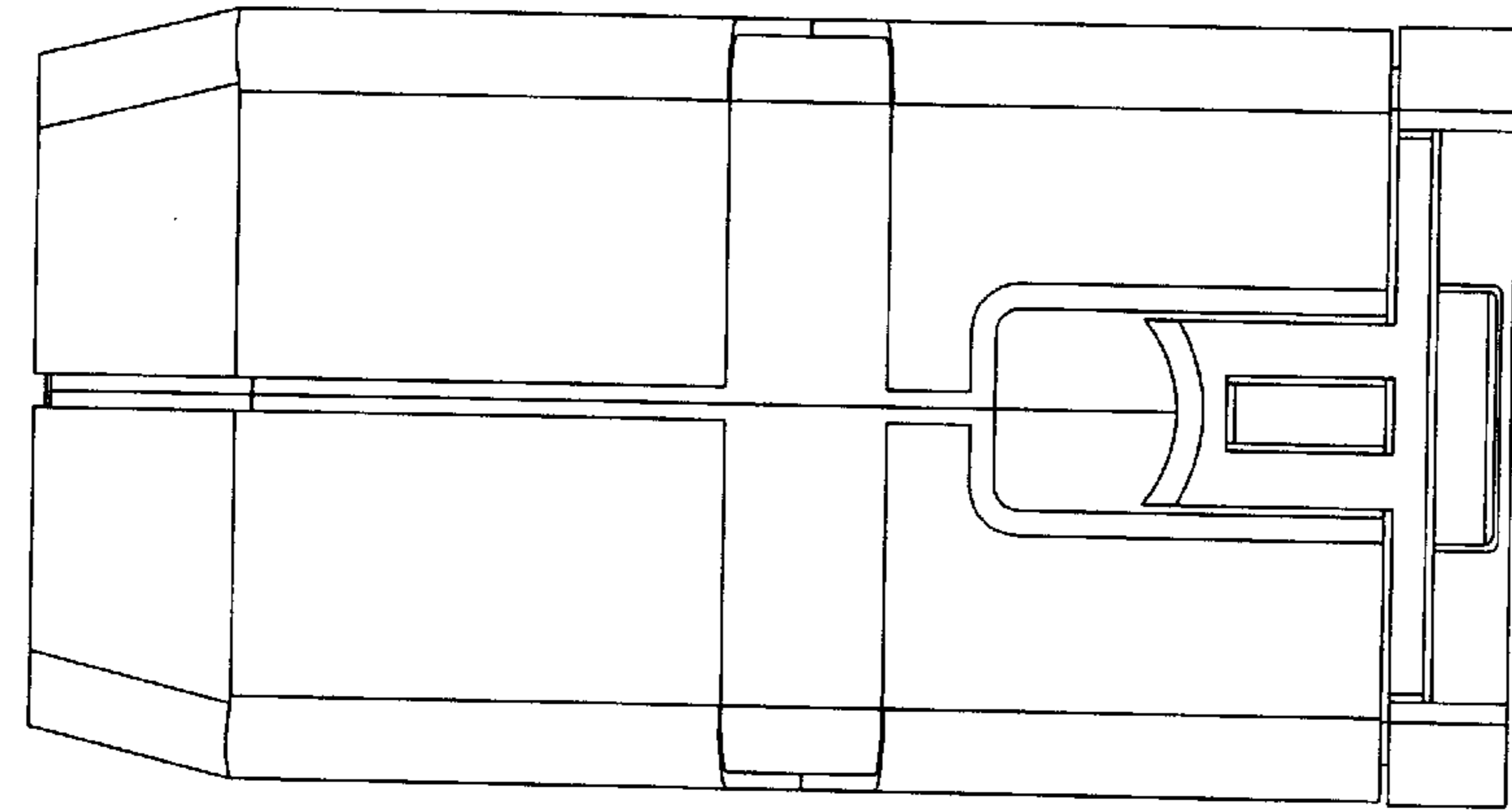


FIG. 4

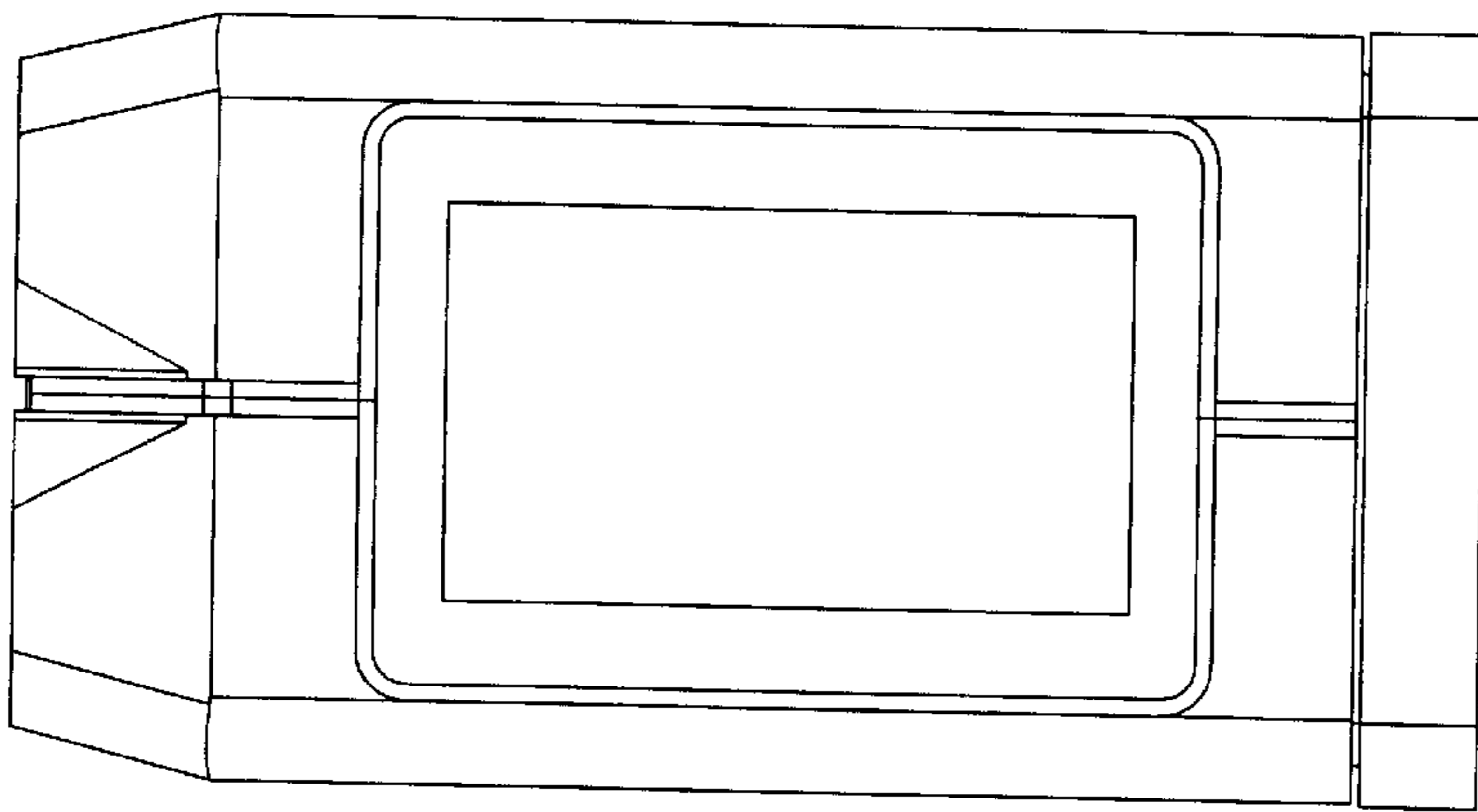


FIG. 5

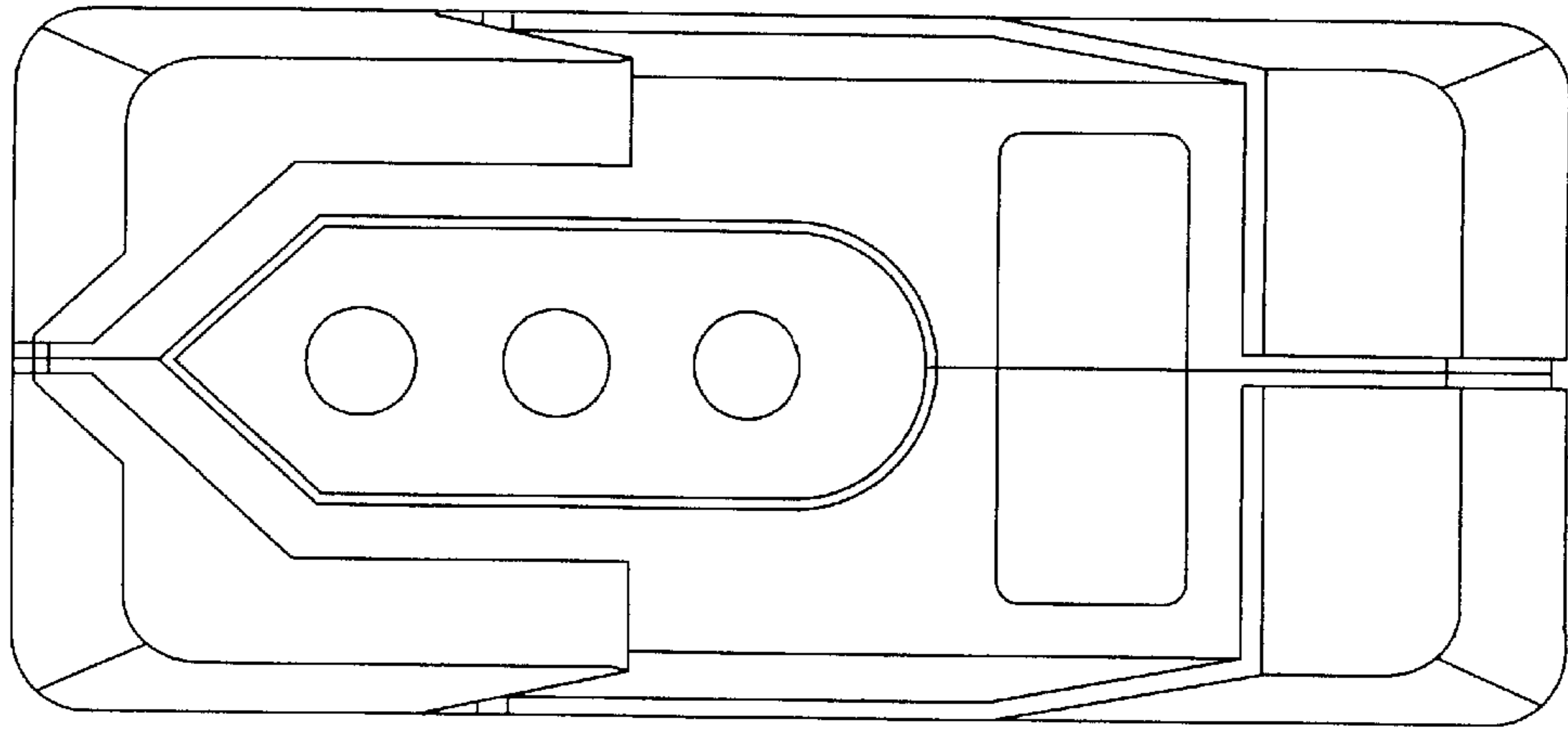


FIG. 6

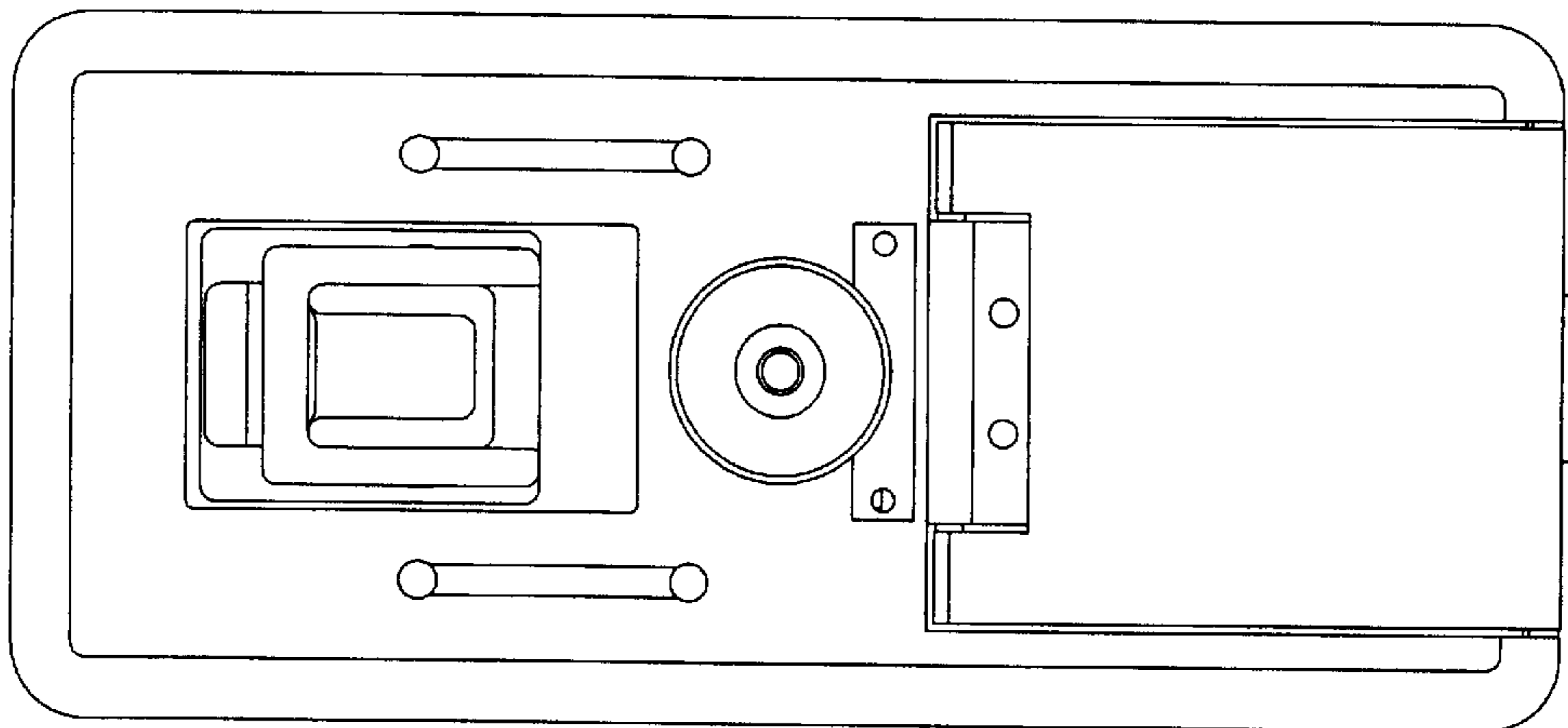


FIG. 7