



US00D537363S

(12) **United States Design Patent**  
**Petrucci**

(10) **Patent No.:** **US D537,363 S**

(45) **Date of Patent:** **\*\* Feb. 27, 2007**

(54) **CARTON OF CIGARETTES**

(75) Inventor: **Luca Petrucci**, Castelfranco Emilia (IT)

(73) Assignee: **G.D Societa' per Azioni**, Bologna (IT)

(\*\*) Term: **14 Years**

(21) Appl. No.: **29/224,378**

(22) Filed: **Mar. 1, 2005**

(30) **Foreign Application Priority Data**

Sep. 1, 2004 (EM) ..... 000288535

(51) **LOC (8) Cl.** ..... **09-01**

(52) **U.S. Cl.** ..... **D9/721**

(58) **Field of Classification Search** ..... D9/715,  
D9/721, 414, 428, 430, 432, 433; D27/172,  
D27/183, 186; D6/512, 517; 206/216, 242;  
229/160.1

See application file for complete search history.

(56) **References Cited**

**U.S. PATENT DOCUMENTS**

- 2,764,984 A \* 10/1956 Cohen et al. .... 206/242
- D266,224 S \* 9/1982 Bronander, Jr. .... D9/721
- 5,967,310 A \* 10/1999 Hill ..... 206/242
- 2003/0057117 A1 \* 3/2003 Davis ..... 206/242

2005/0082178 A1 \* 4/2005 Draghetti et al. .... 206/242

\* cited by examiner

*Primary Examiner*—Mitchell Siegel

*Assistant Examiner*—Shanda C. Hill

(74) *Attorney, Agent, or Firm*—Ladas & Parry LLP

(57) **CLAIM**

The ornamental design for a carton of cigarettes, as shown and described.

**DESCRIPTION**

FIG. 1 is a perspective view of the first embodiment of a carton of cigarettes, showing my new design;

FIG. 2 is a top view thereof;

FIG. 3 is a left side view thereof;

FIG. 4 is a front view thereof;

FIG. 5 is a right side view thereof;

FIG. 6 is a rear view thereof;

FIG. 7 is a bottom view thereof;

FIG. 8 is a perspective view of the second embodiment of the carton of cigarettes;

FIG. 9 is a top view thereof;

FIG. 10 is a left side view thereof;

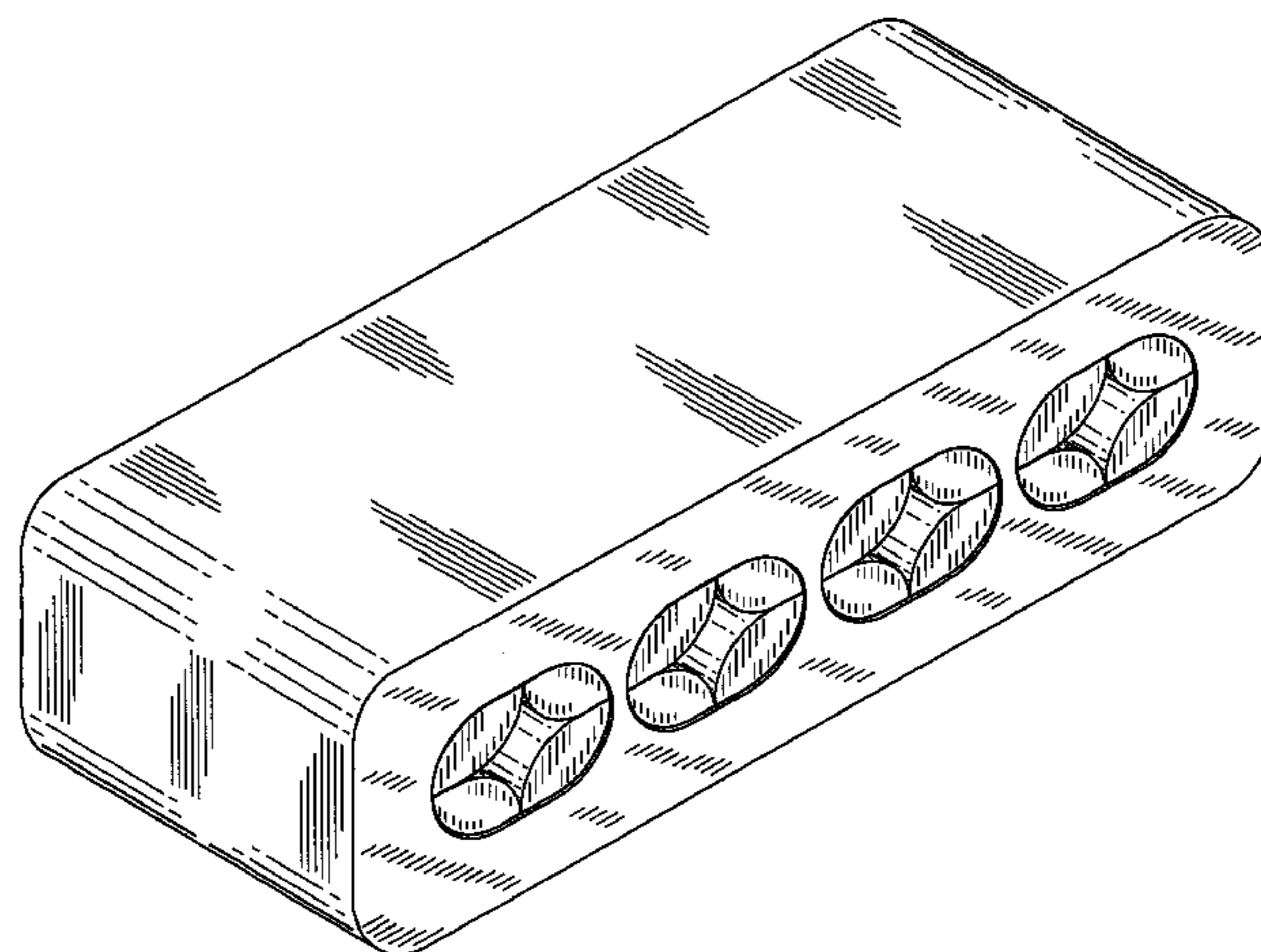
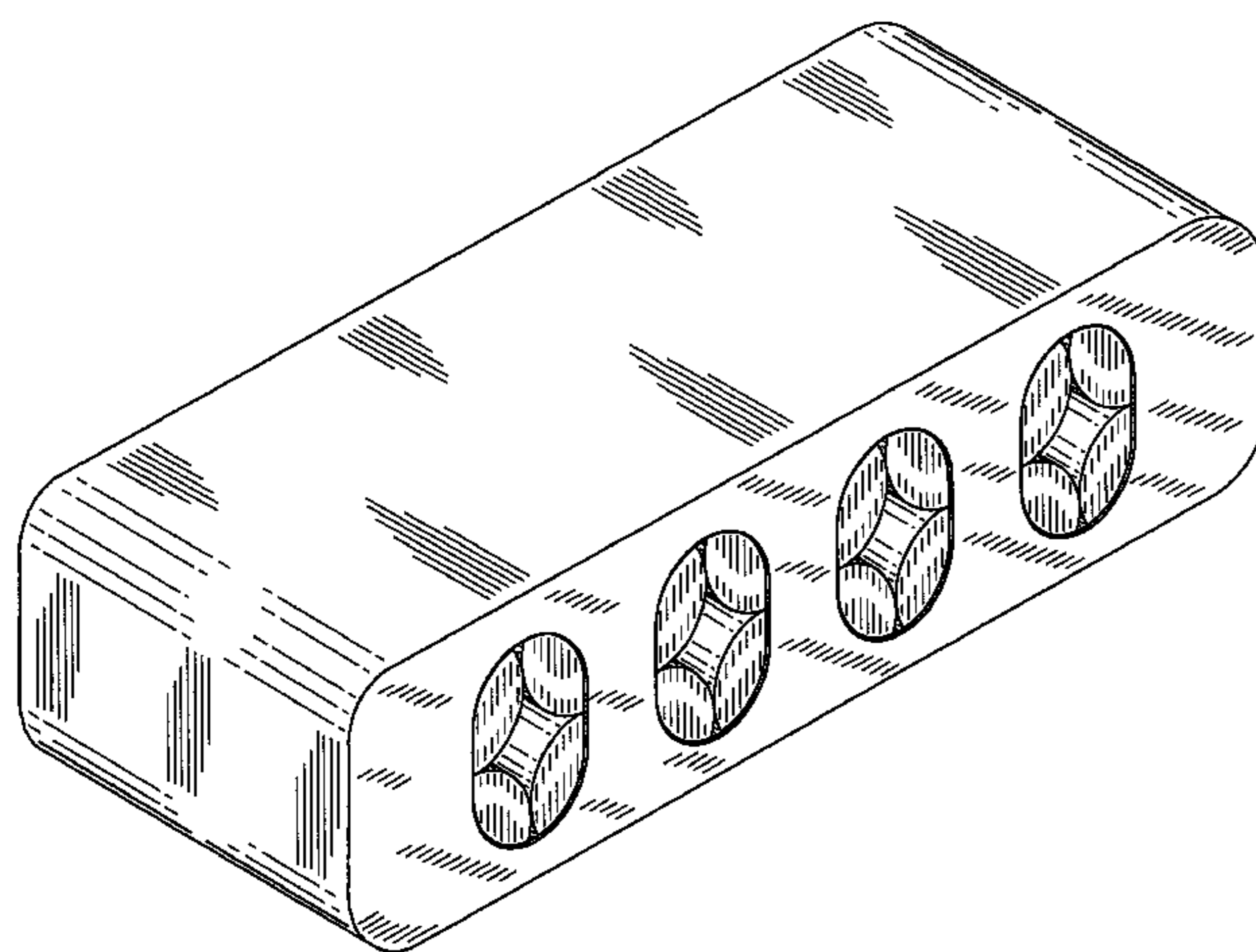
FIG. 11 is a front view thereof;

FIG. 12 is a right side view thereof;

FIG. 13 is a rear view thereof; and,

FIG. 14 is a bottom view thereof.

**1 Claim, 4 Drawing Sheets**



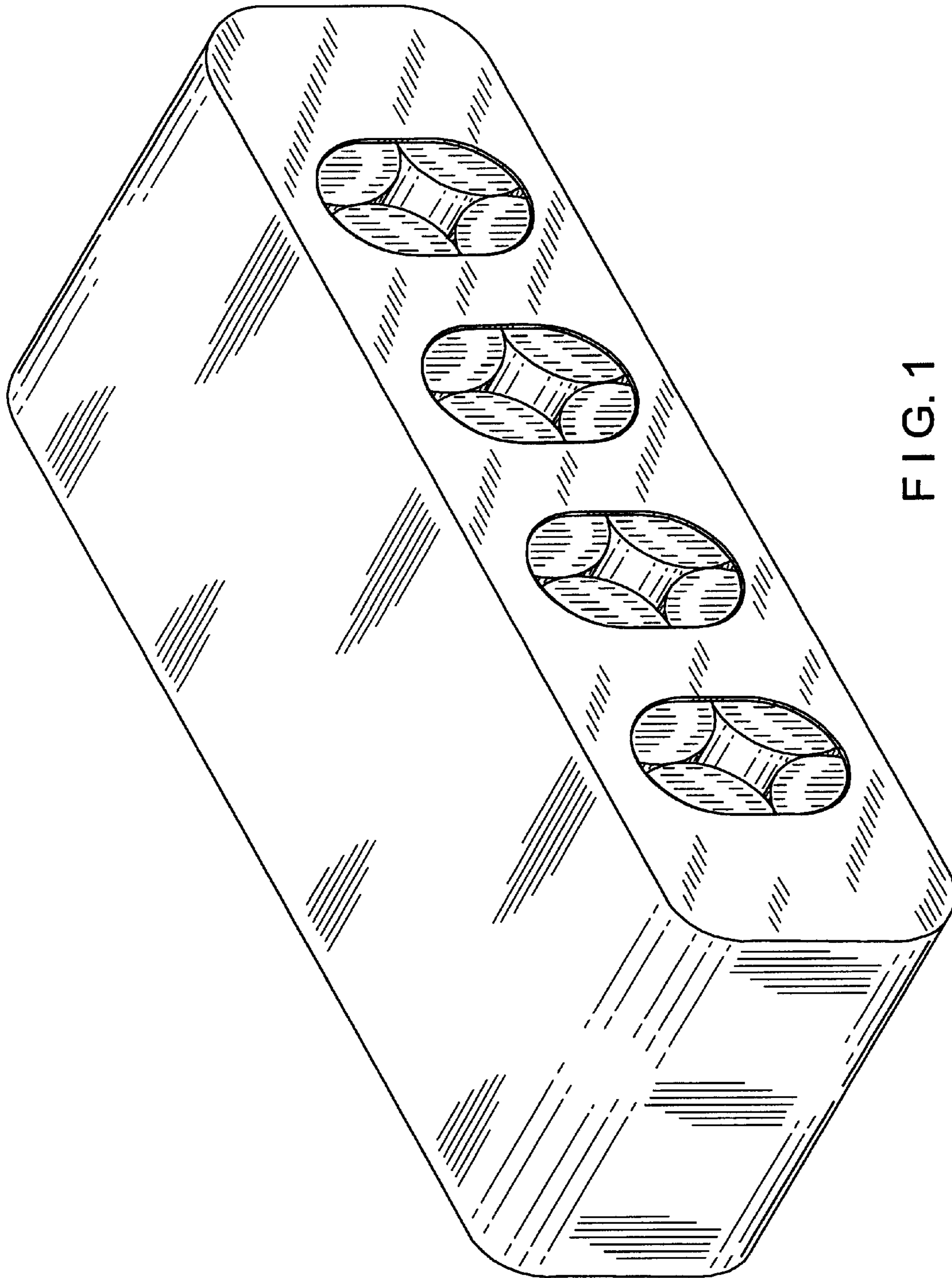


FIG. 1

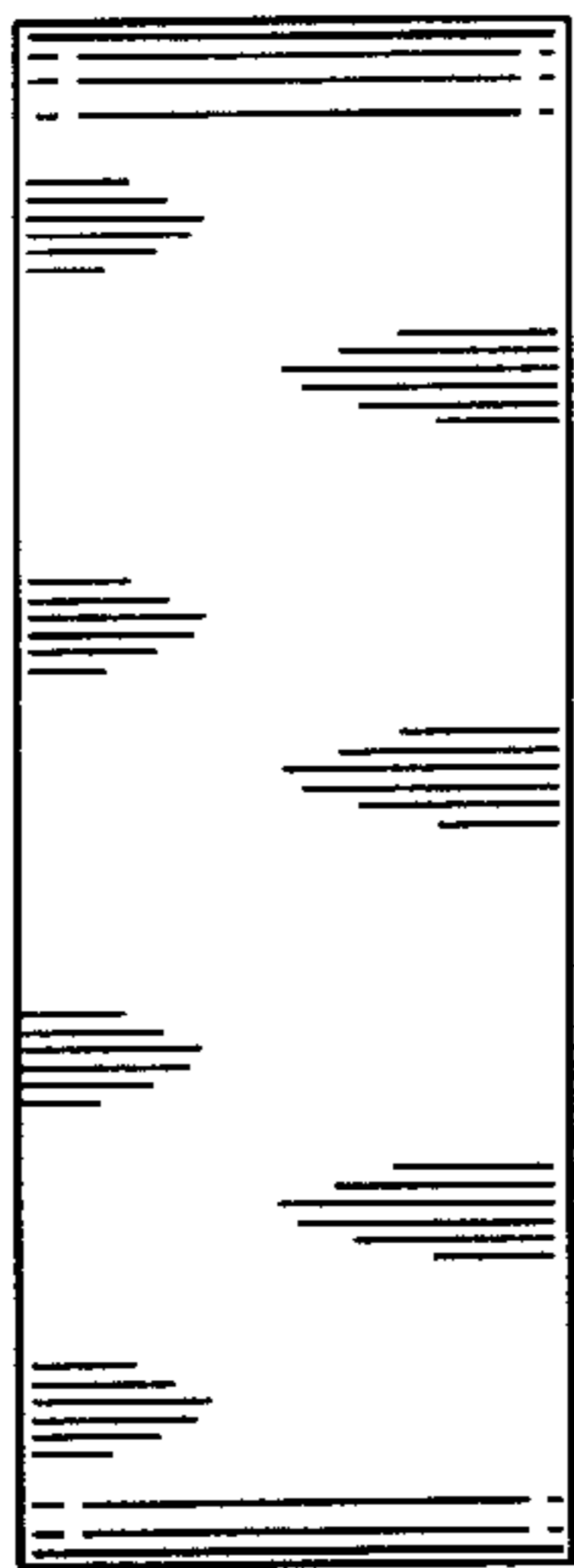


FIG. 2

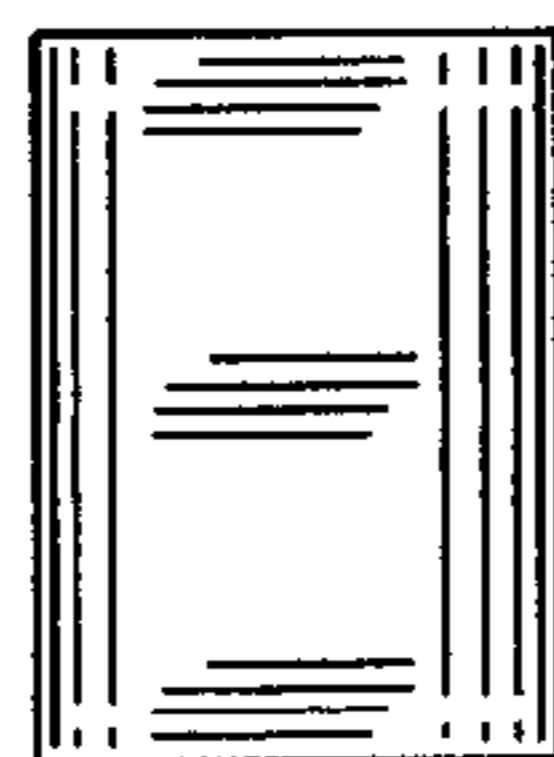


FIG. 3

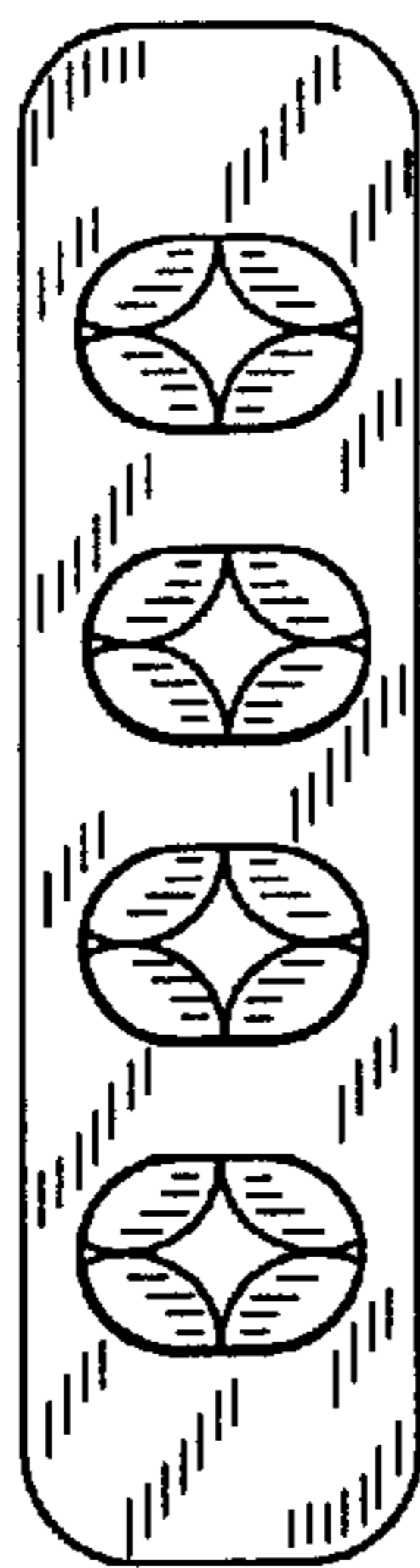


FIG. 4

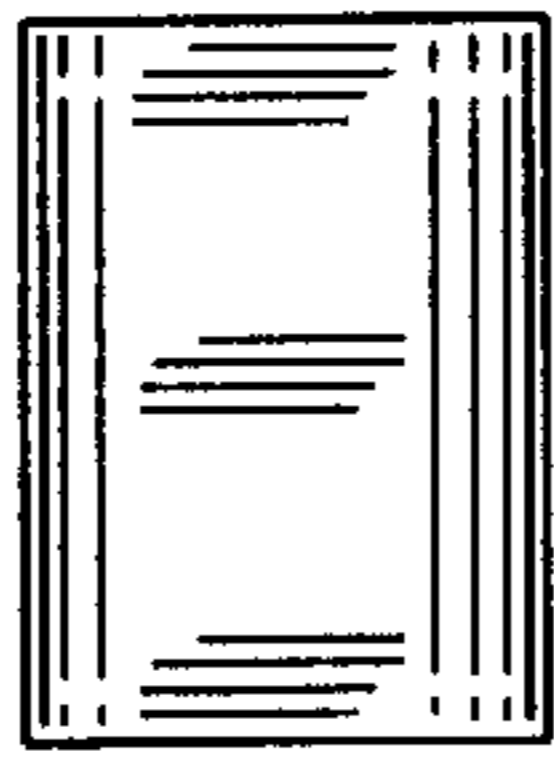


FIG. 5

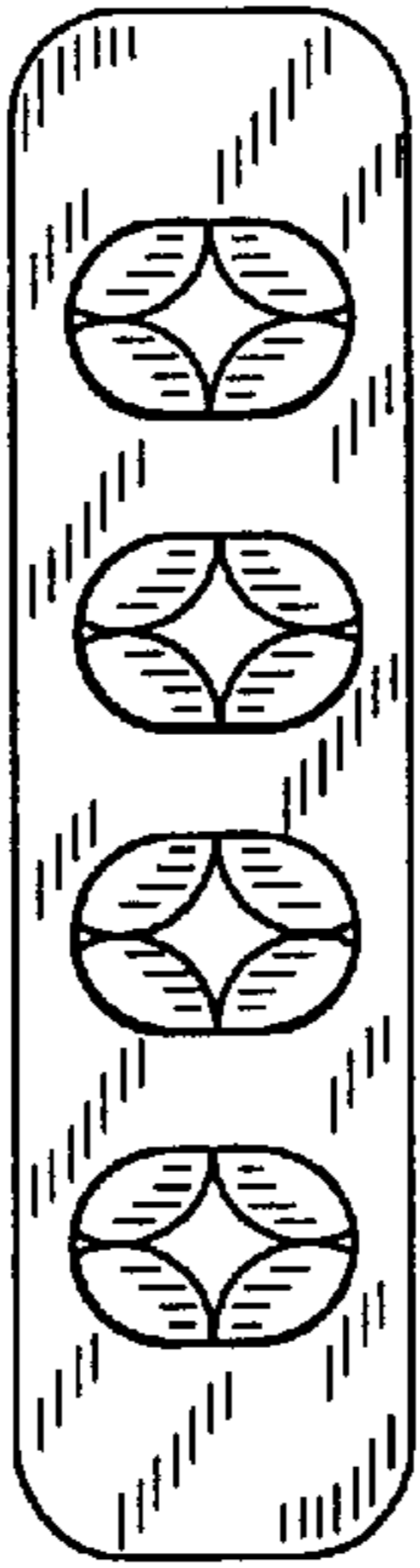


FIG. 6

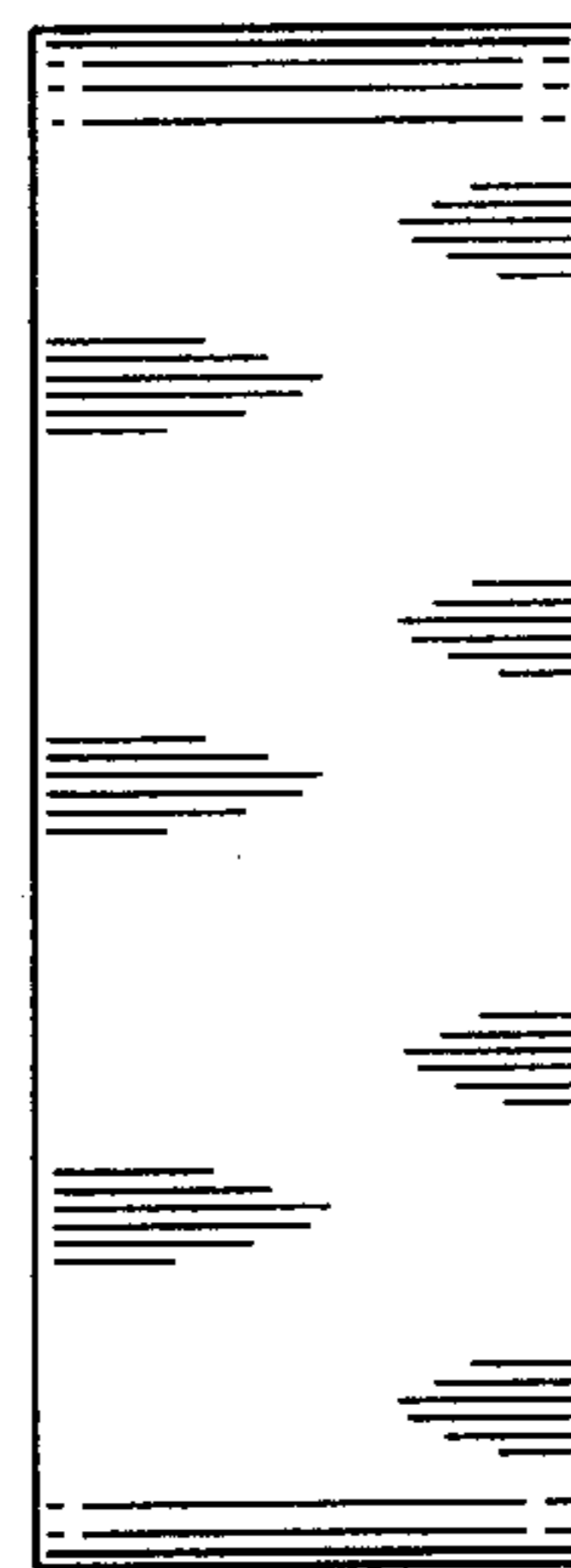


FIG. 7

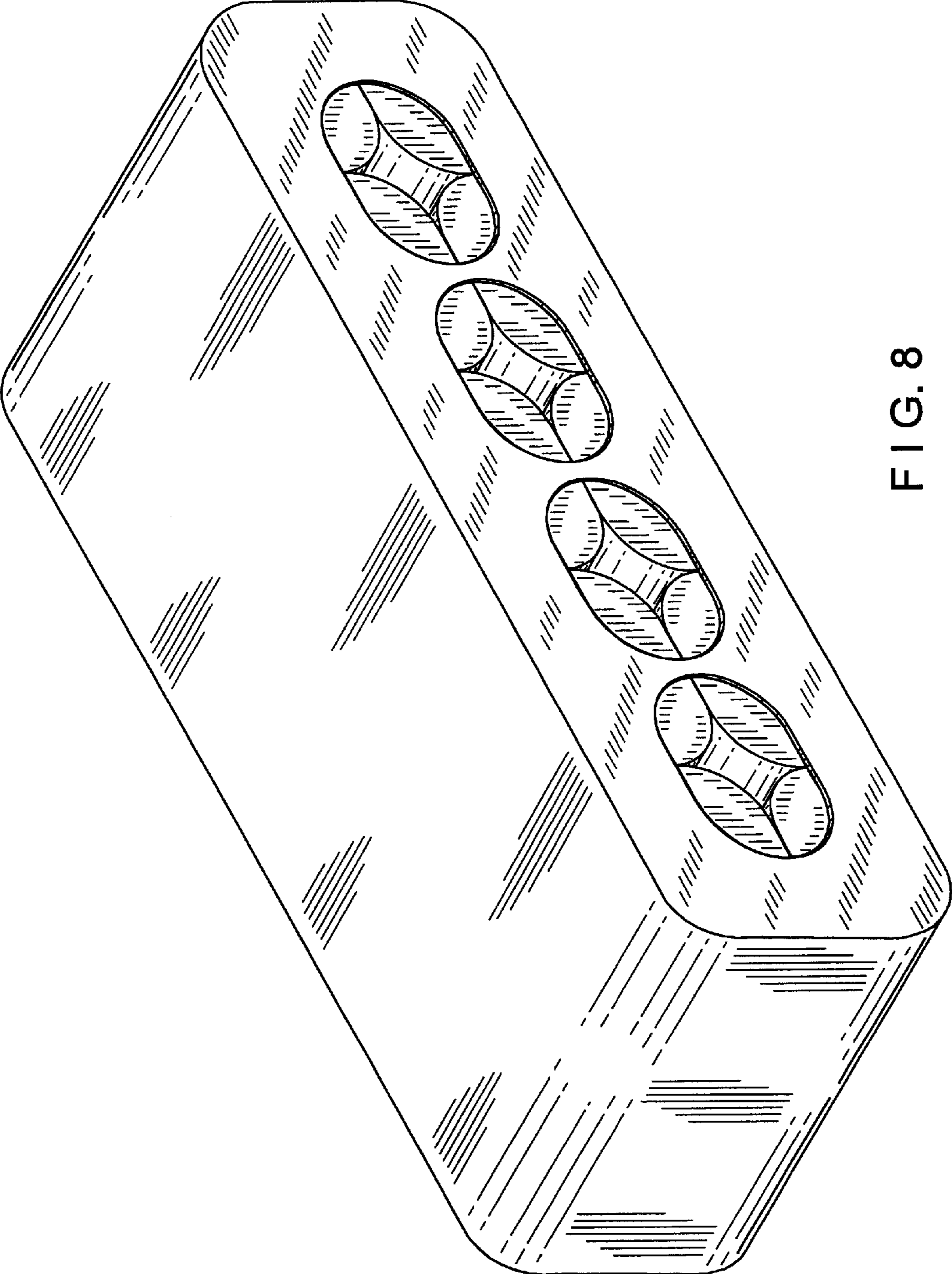


FIG. 8



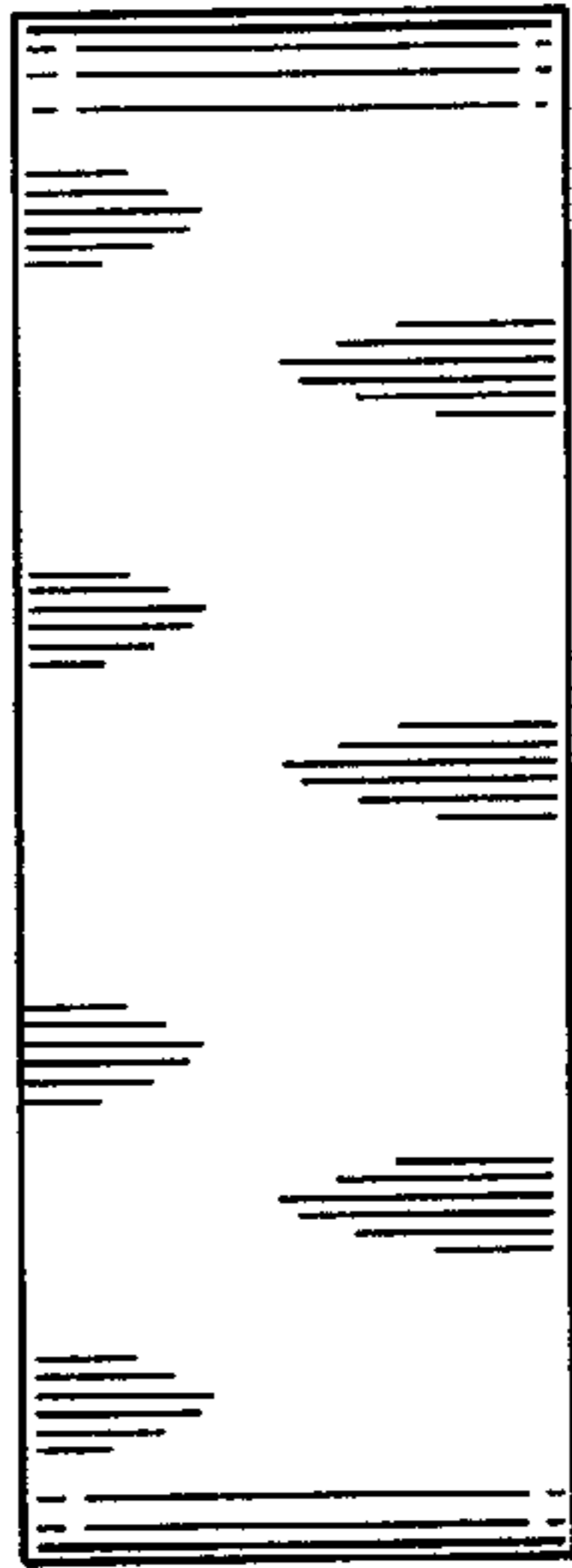


FIG. 9

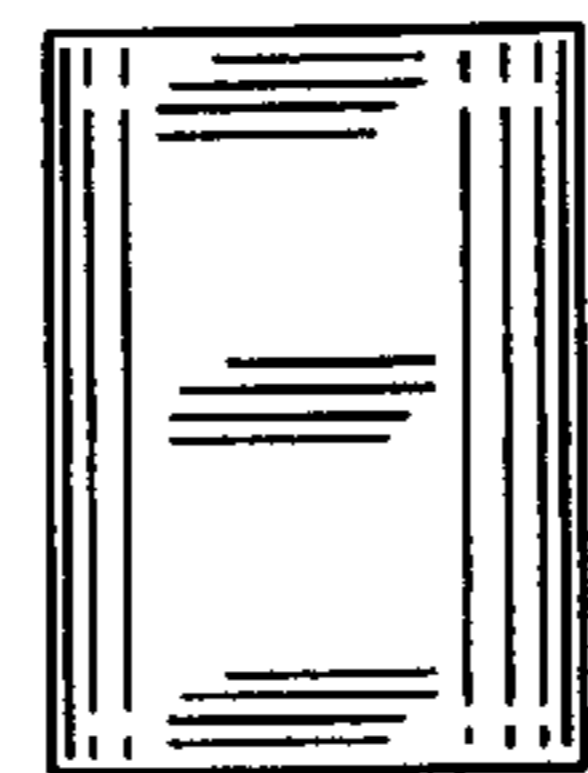


FIG. 10

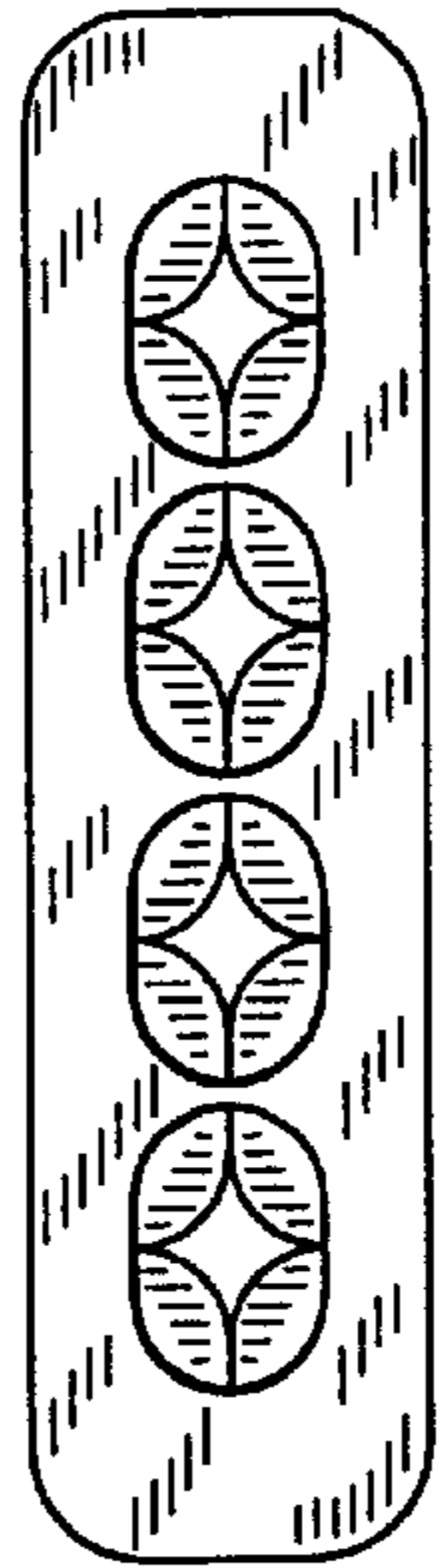


FIG. 11

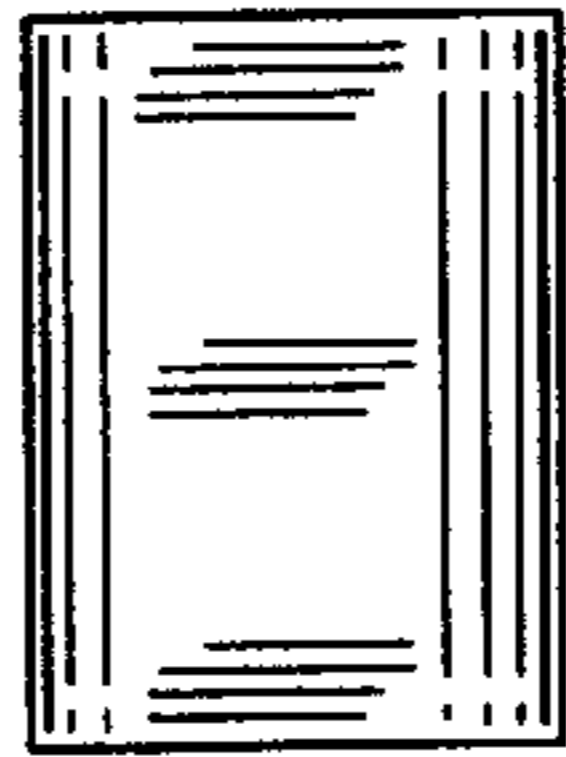


FIG. 12

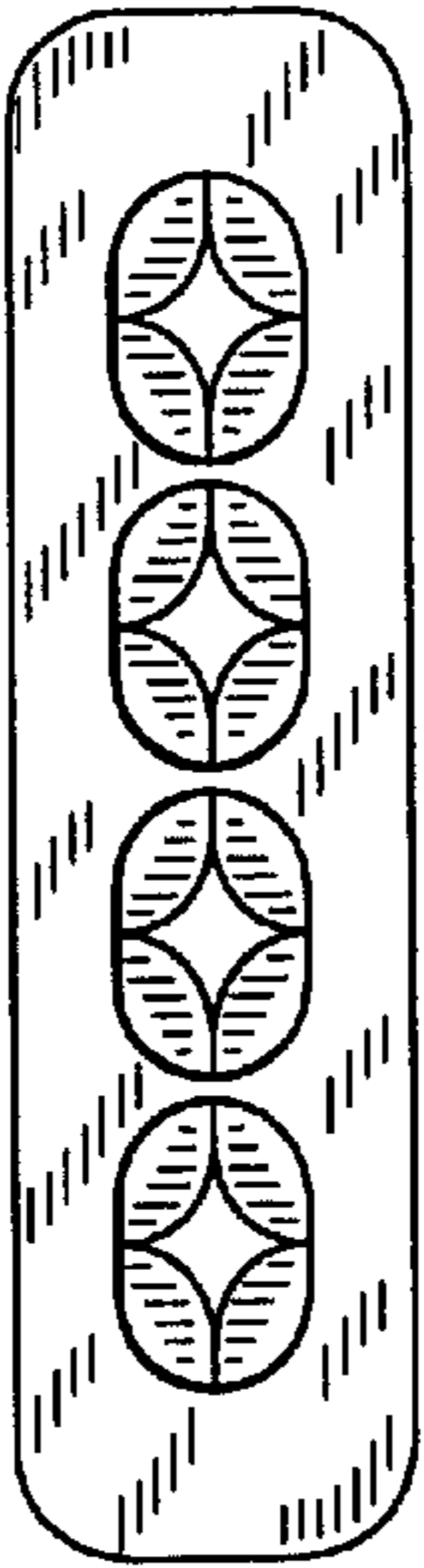


FIG. 13



FIG. 14