



US00D537361S

(12) **United States Design Patent**
Dretzka

(10) **Patent No.:** **US D537,361 S**

(45) **Date of Patent:** **** Feb. 27, 2007**

(54) **SOAP PUMP**

(75) **Inventor:** **Philip C. Dretzka**, Cleveland Heights, OH (US)

(73) **Assignee:** **InterDesign, Inc.**, Solon, OH (US)

(**) **Term:** **14 Years**

(21) **Appl. No.:** **29/262,127**

(22) **Filed:** **Jun. 27, 2006**

(51) **LOC (8) Cl.** **09-01**

(52) **U.S. Cl.** **D9/690**

(58) **Field of Classification Search** D9/690,
D9/448, 542, 560, 563, 573-575, 682, 687;
D6/542-545; 222/173

See application file for complete search history.

(56) **References Cited**

U.S. PATENT DOCUMENTS

| | | | | | |
|------------|---|---------|---------|-------|--------|
| D291,656 S | * | 9/1987 | Bussell | | D9/690 |
| D444,977 S | * | 7/2001 | Ludwig | | D6/542 |
| D477,990 S | | 8/2003 | Dretzka | | |
| D484,401 S | | 12/2003 | Dretzka | | |
| D488,716 S | * | 4/2004 | Dretzka | | D9/448 |
| D489,617 S | * | 5/2004 | Snell | | D9/448 |

OTHER PUBLICATIONS

2004 InterDesign, Inc. product brochure, p. 4, 12, 13, 18, 20, 21, 24, 28, 29, 30 w/front & back cover.

* cited by examiner

Primary Examiner—Stella Reid

Assistant Examiner—Rashida C. McCoy

(74) *Attorney, Agent, or Firm*—D. Peter Hochberg; Sean Mellino

(57) **CLAIM**

The ornamental design for a soap pump, as shown and described.

DESCRIPTION

FIG. 1 is a perspective view of the soap pump according to the invention;

FIG. 2 is a top view of the soap pump as shown in FIG. 1;

FIG. 3 is a side view of the soap pump as shown in FIG. 1;

FIG. 4 is a front view of the soap pump as shown in FIG. 1;

FIG. 5 is a side view of the soap pump as shown in FIG. 1,

shown from the opposite side as that shown in FIG. 3;

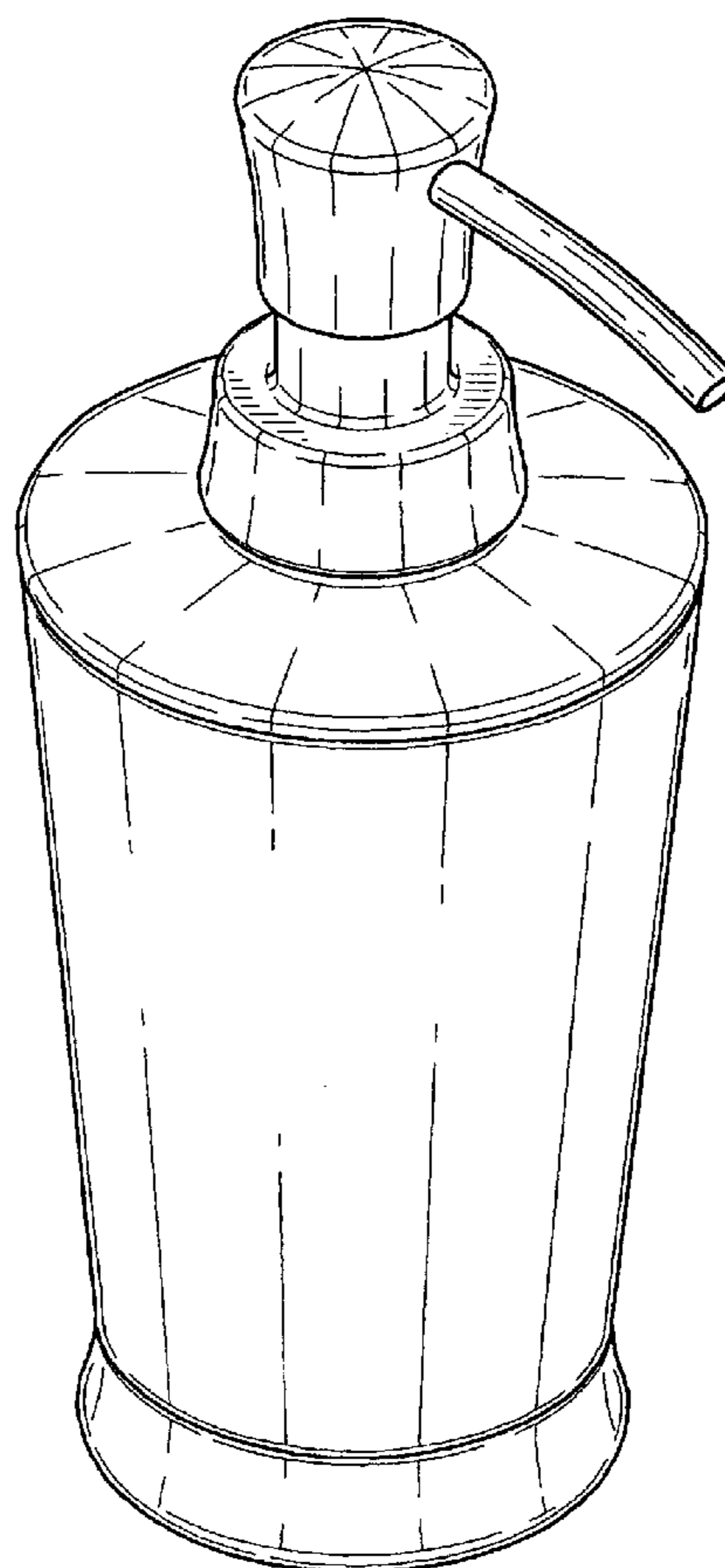
FIG. 6 is a rear view of the soap pump as shown in FIG. 1;

and,

FIG. 7 is a bottom view of the soap pump as shown in FIG.

1.

1 Claim, 3 Drawing Sheets



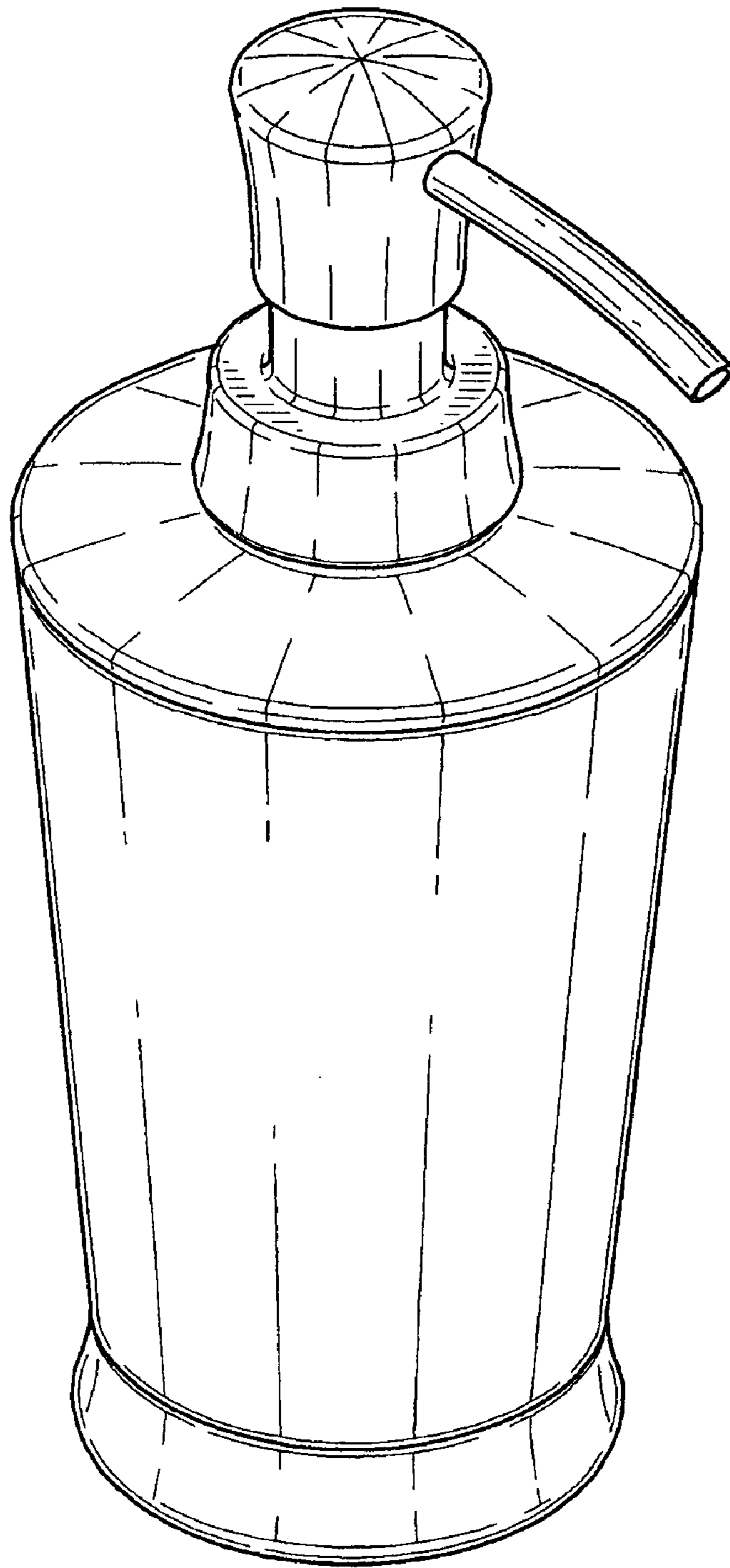


FIG-1

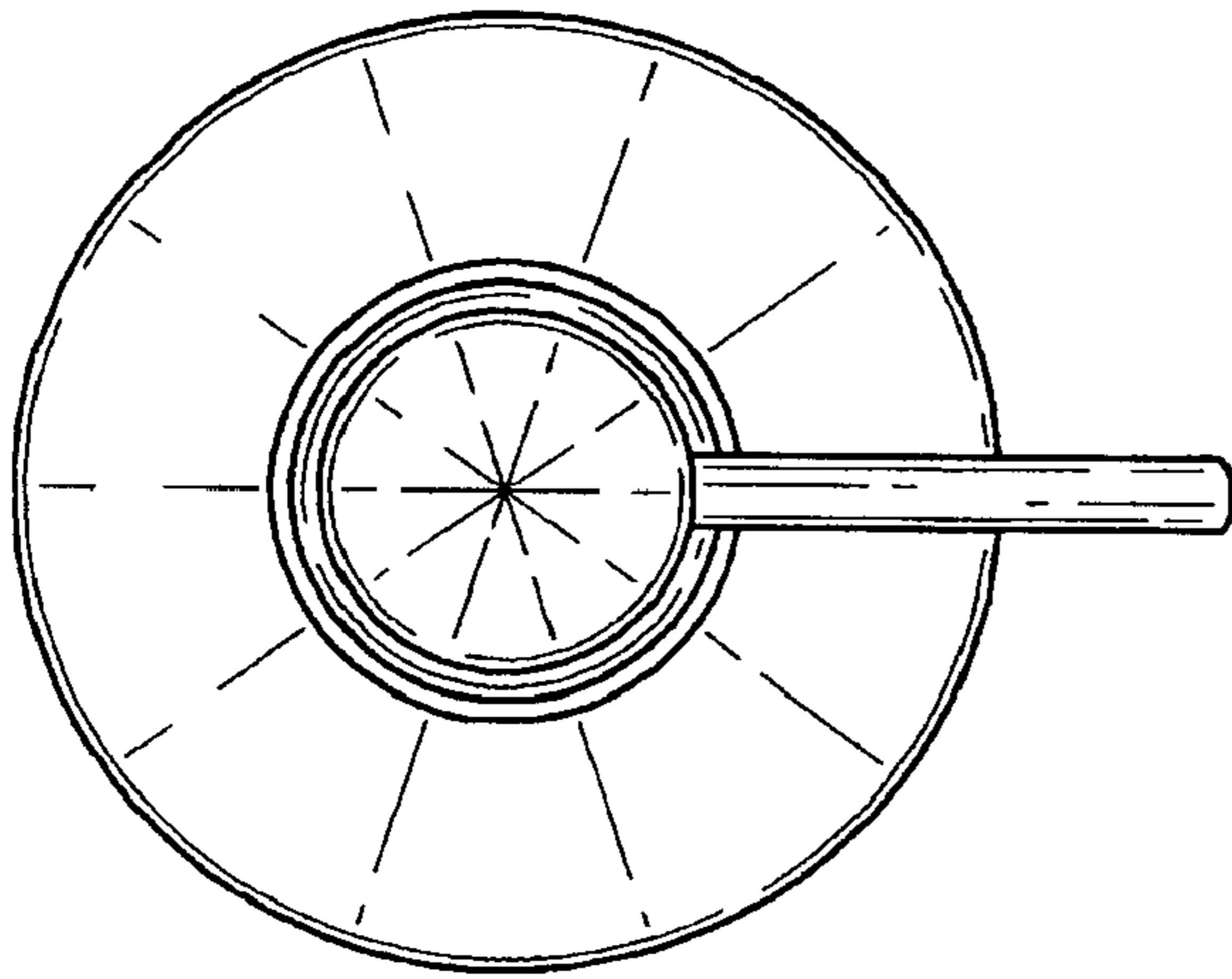


FIG-2

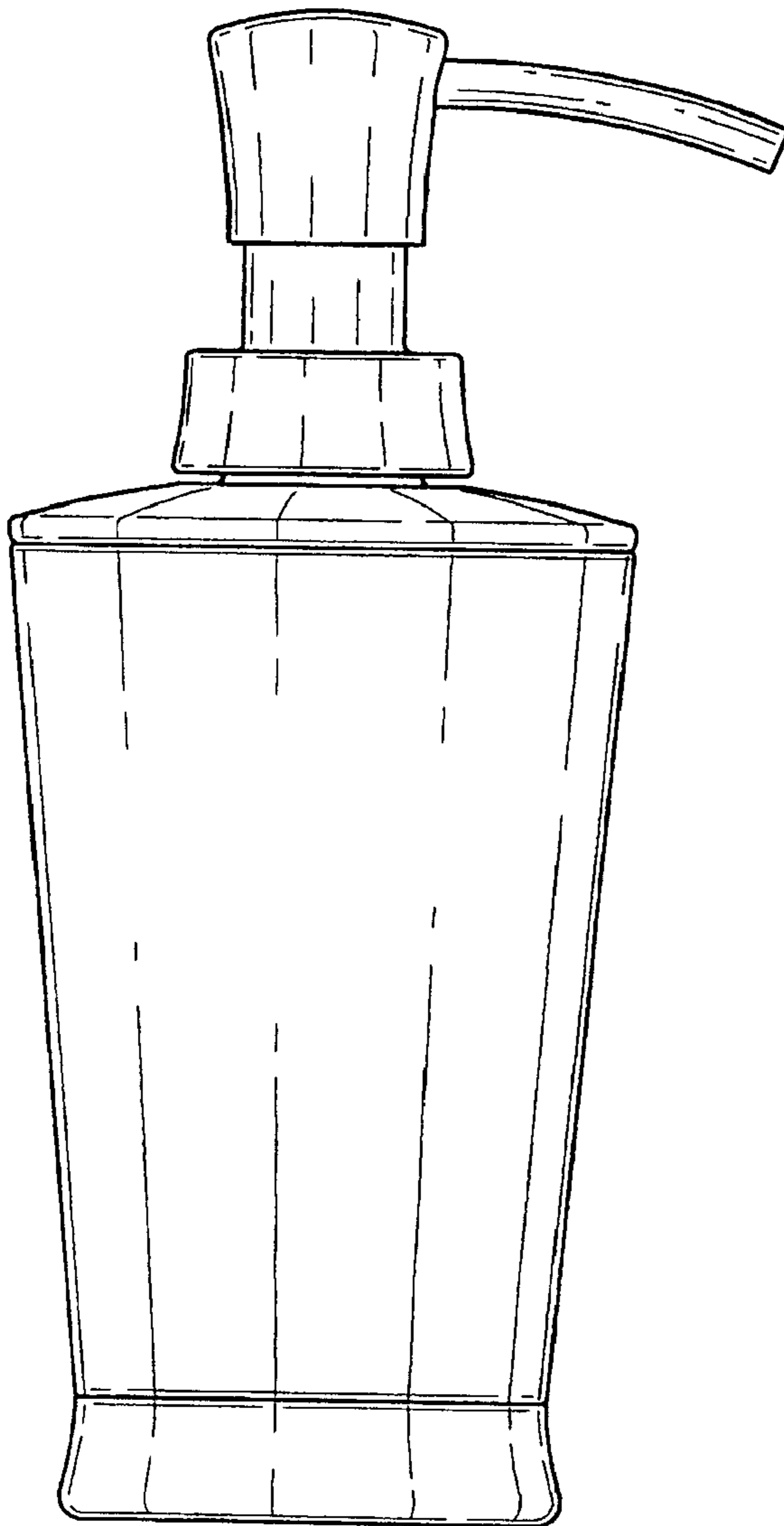


FIG-3

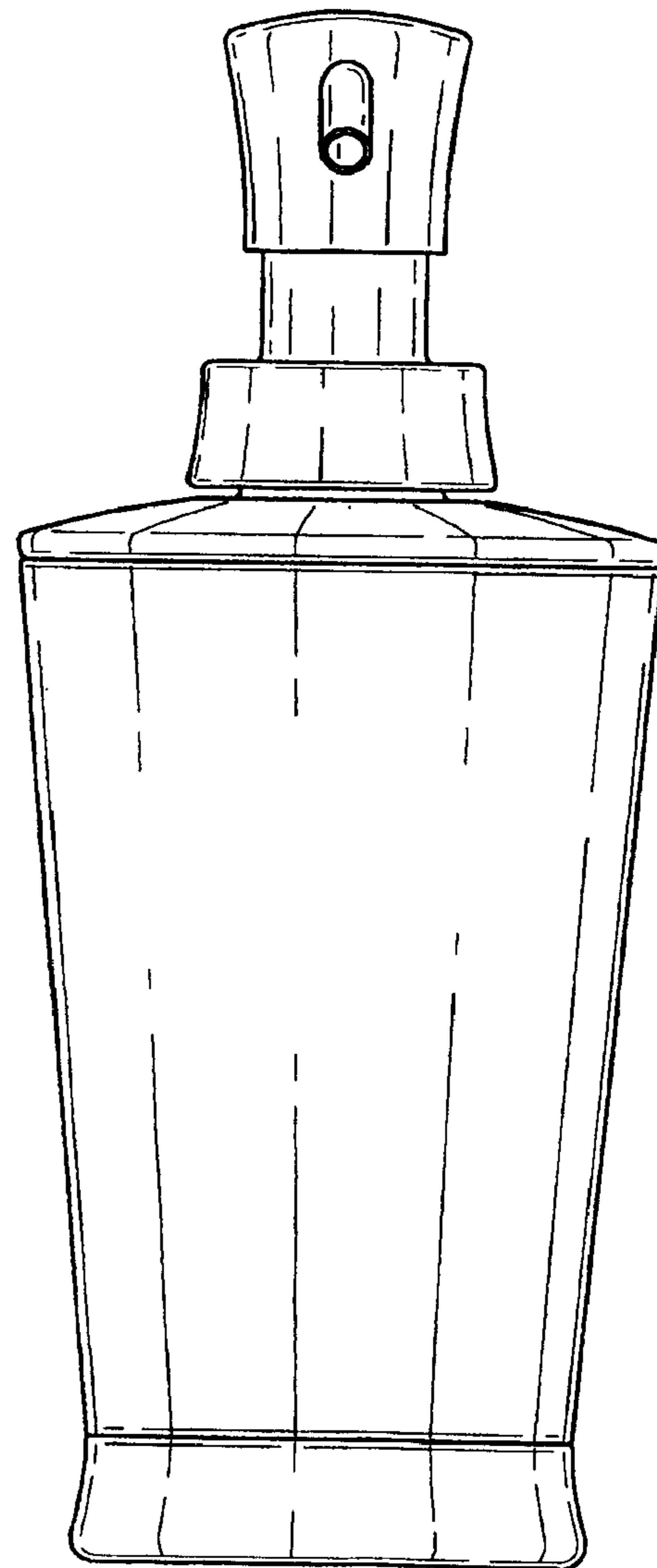


FIG-4

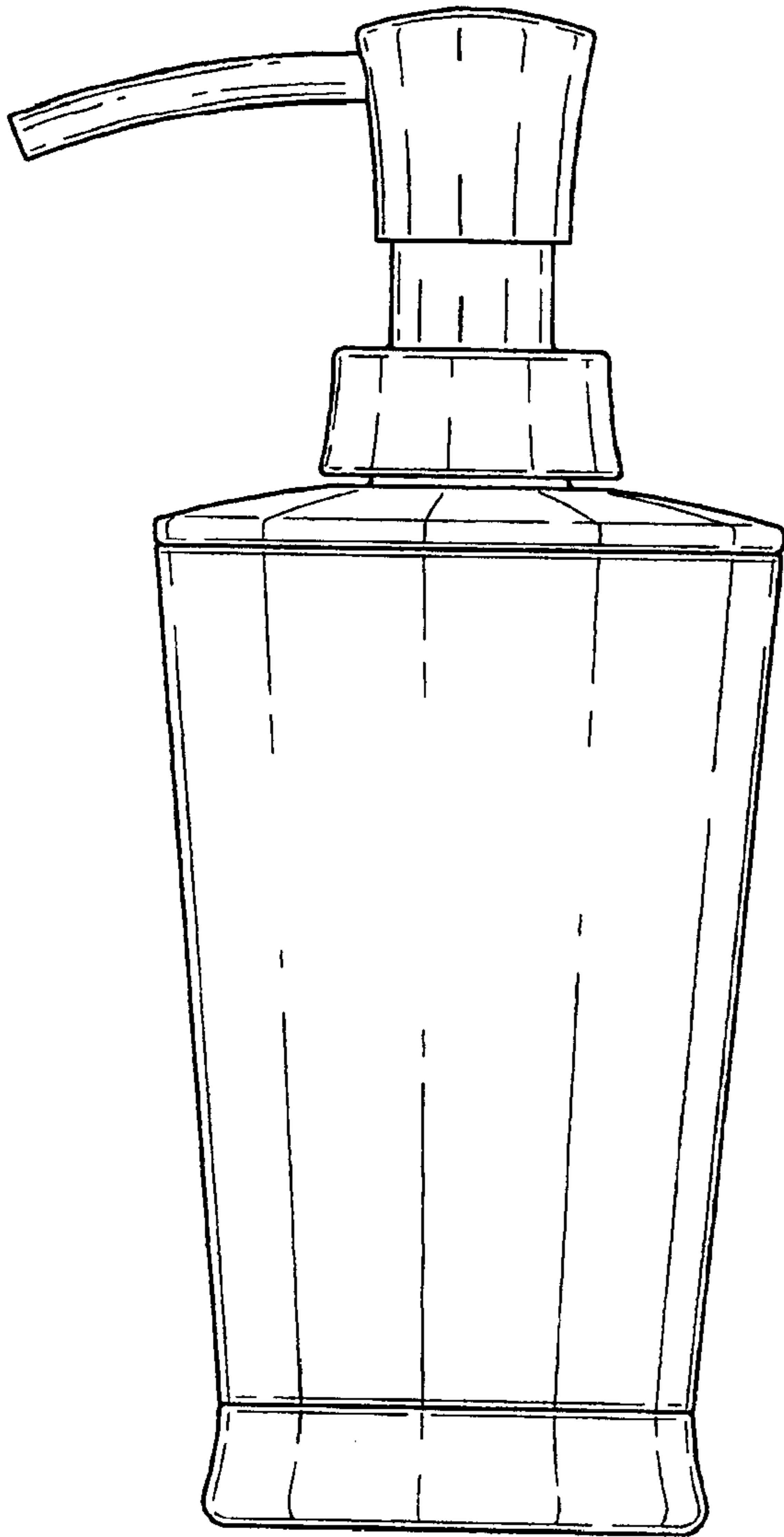


FIG-5

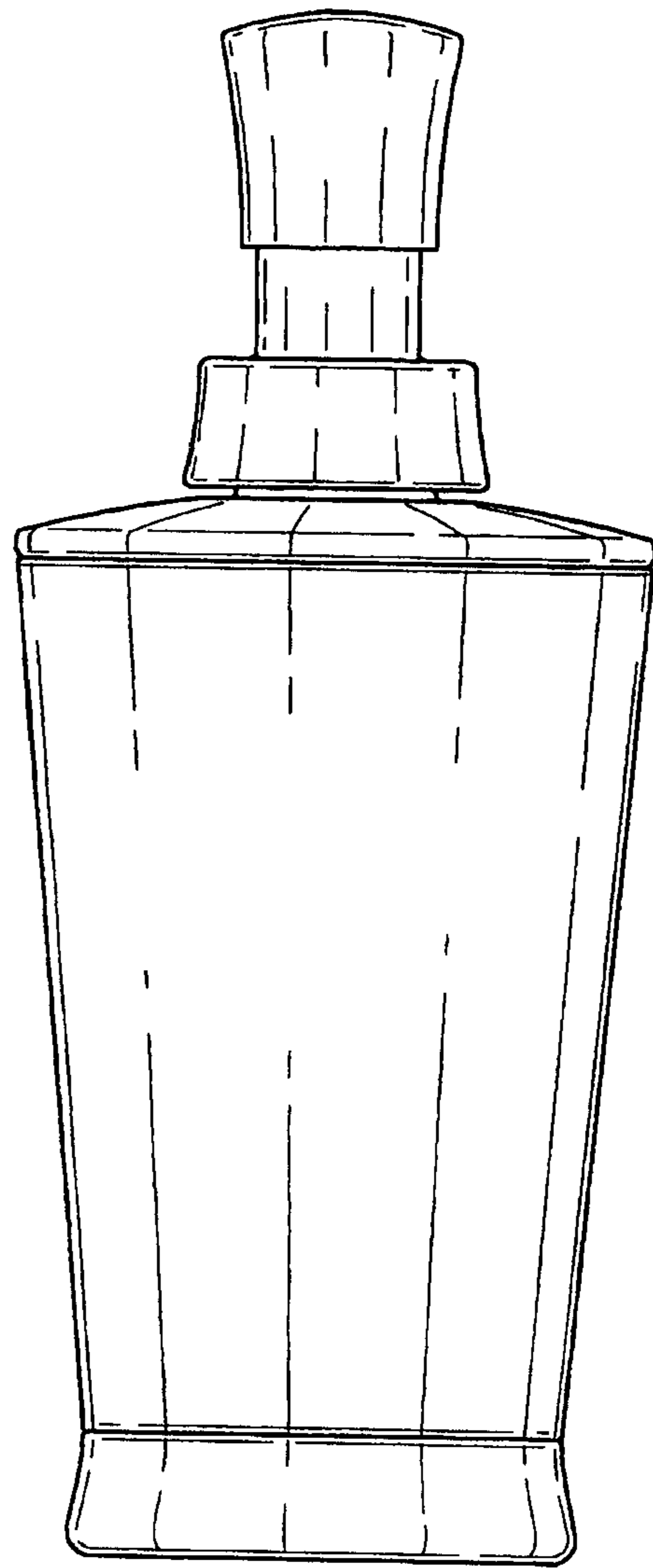


FIG-6

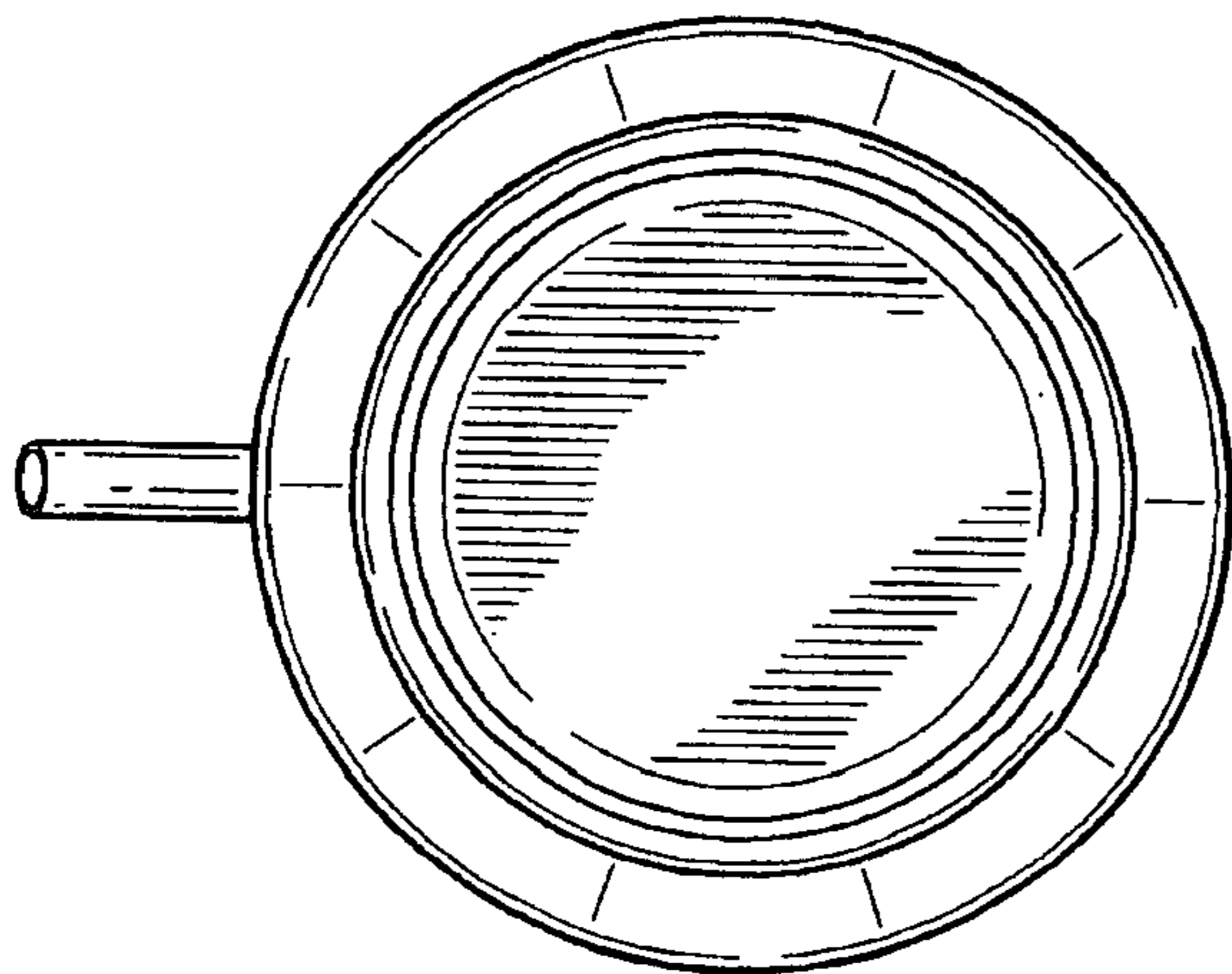


FIG-7