



US00D537357S

(12) **United States Design Patent**  
**Holt**

(10) **Patent No.:** **US D537,357 S**

(45) **Date of Patent:** **\*\* Feb. 27, 2007**

(54) **PACKAGE**

D446,642 S \* 8/2001 Dix ..... D3/243  
D517,420 S \* 3/2006 Scheider ..... D9/631

(75) Inventor: **Barbara H. Holt**, Cannon Falls, MN  
(US)

(73) Assignee: **J.L. Buchanan, Inc.**, Minneapolis, MN  
(US)

(\*\*) Term: **14 Years**

(21) Appl. No.: **29/239,771**

(22) Filed: **Oct. 4, 2005**

(51) **LOC (8) Cl.** ..... **09-01**

(52) **U.S. Cl.** ..... **D9/631; D9/704; D3/241**

(58) **Field of Classification Search** ..... D3/232,  
D3/241-243, 270-271.1, 271.4; D9/414,  
D9/600, 614-622, 631, 703-705; 206/457,  
206/459.5, 769, 822-823; 220/890; 229/116.1-116.4;  
D7/604, 606, 607, 613  
See application file for complete search history.

(56) **References Cited**

**U.S. PATENT DOCUMENTS**

2,289,254	A	*	7/1942	Eagles	.....	383/97
2,505,208	A	*	4/1950	Ruml, Jr.	.....	206/457
D305,728	S	*	1/1990	Tufariello	.....	D9/704
D350,874	S	*	9/1994	Gowin	.....	D7/606
D413,796	S	*	9/1999	Mansau	.....	D9/631

**OTHER PUBLICATIONS**

“The Art of Perfume—Discovering & Collecting Perfume Bottles” by Christie Mayer Lefkowitz, 1994. p. 152, Lubin perfume bottle.\*

\* cited by examiner

*Primary Examiner*—Sandra L. Morris

(74) *Attorney, Agent, or Firm*—Schwegman, Lundberg, Woessner & Kluth, P.A.

(57) **CLAIM**

The ornamental design for a package, as shown and described.

**DESCRIPTION**

FIG. 1 is a perspective view of a package showing my new design.

FIG. 2 front view thereof.

FIG. 3 is a rear view thereof.

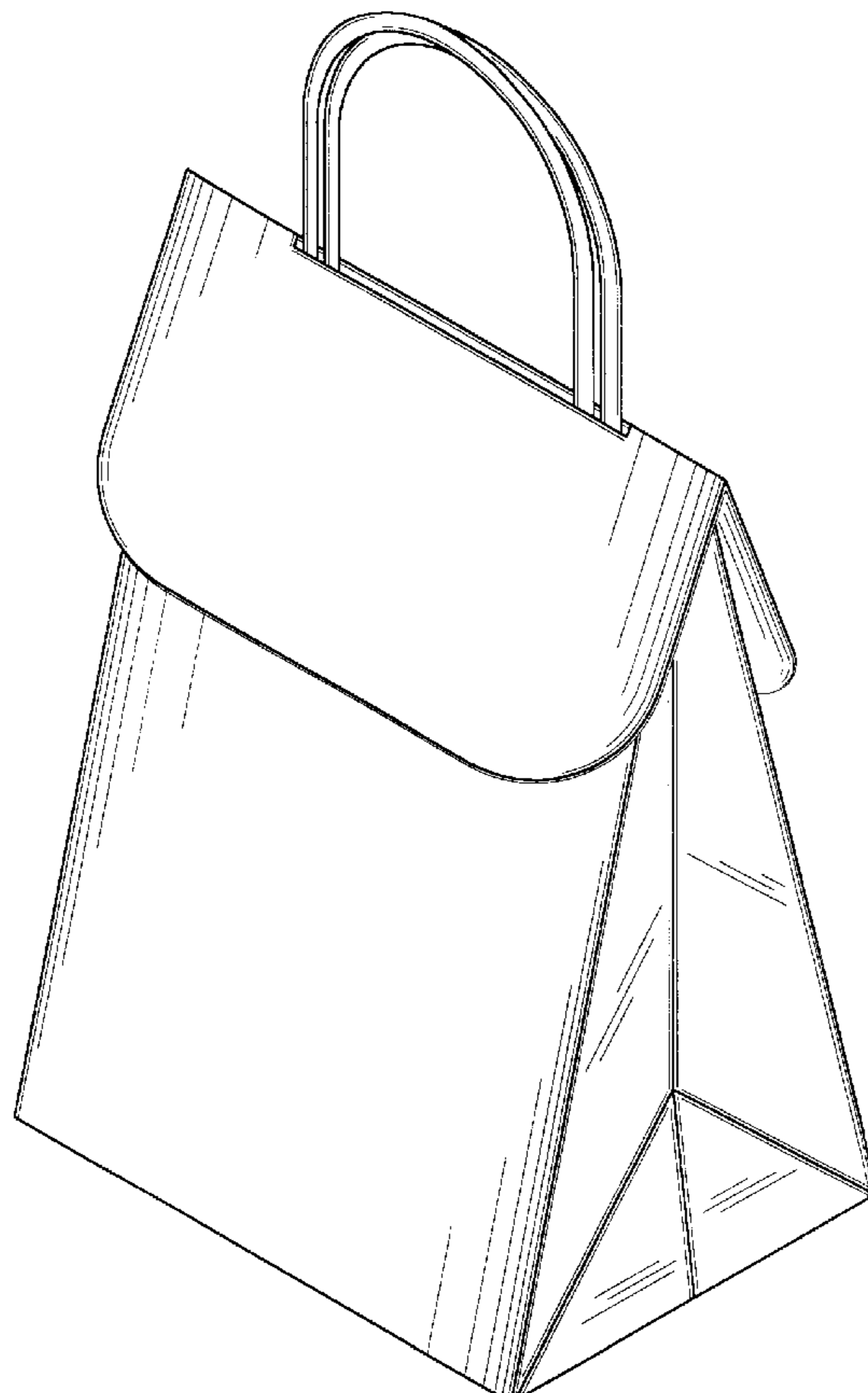
FIG. 4 is a right side view thereof.

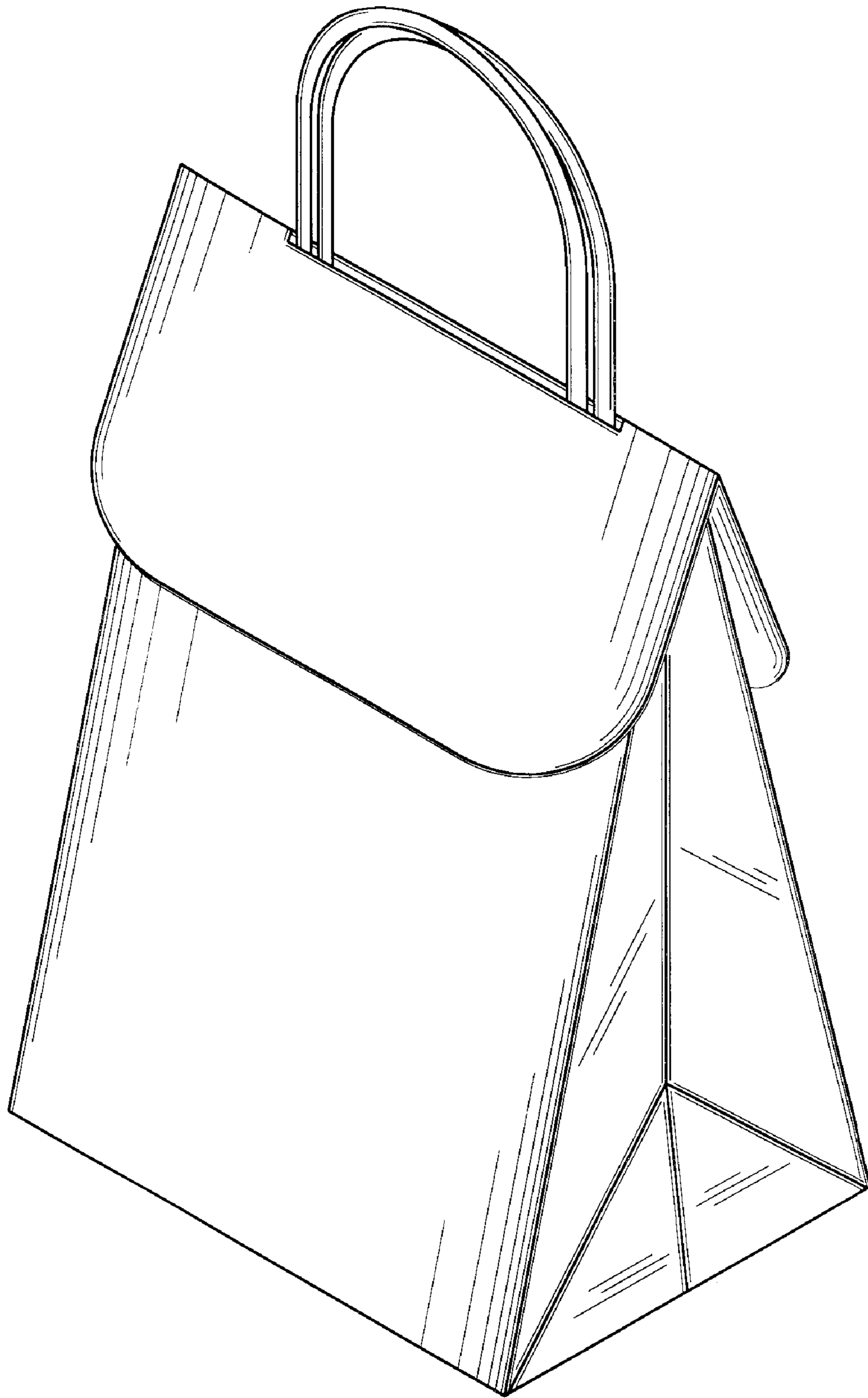
FIG. 5 is a left side view thereof.

FIG. 6 is a top view thereof; and,

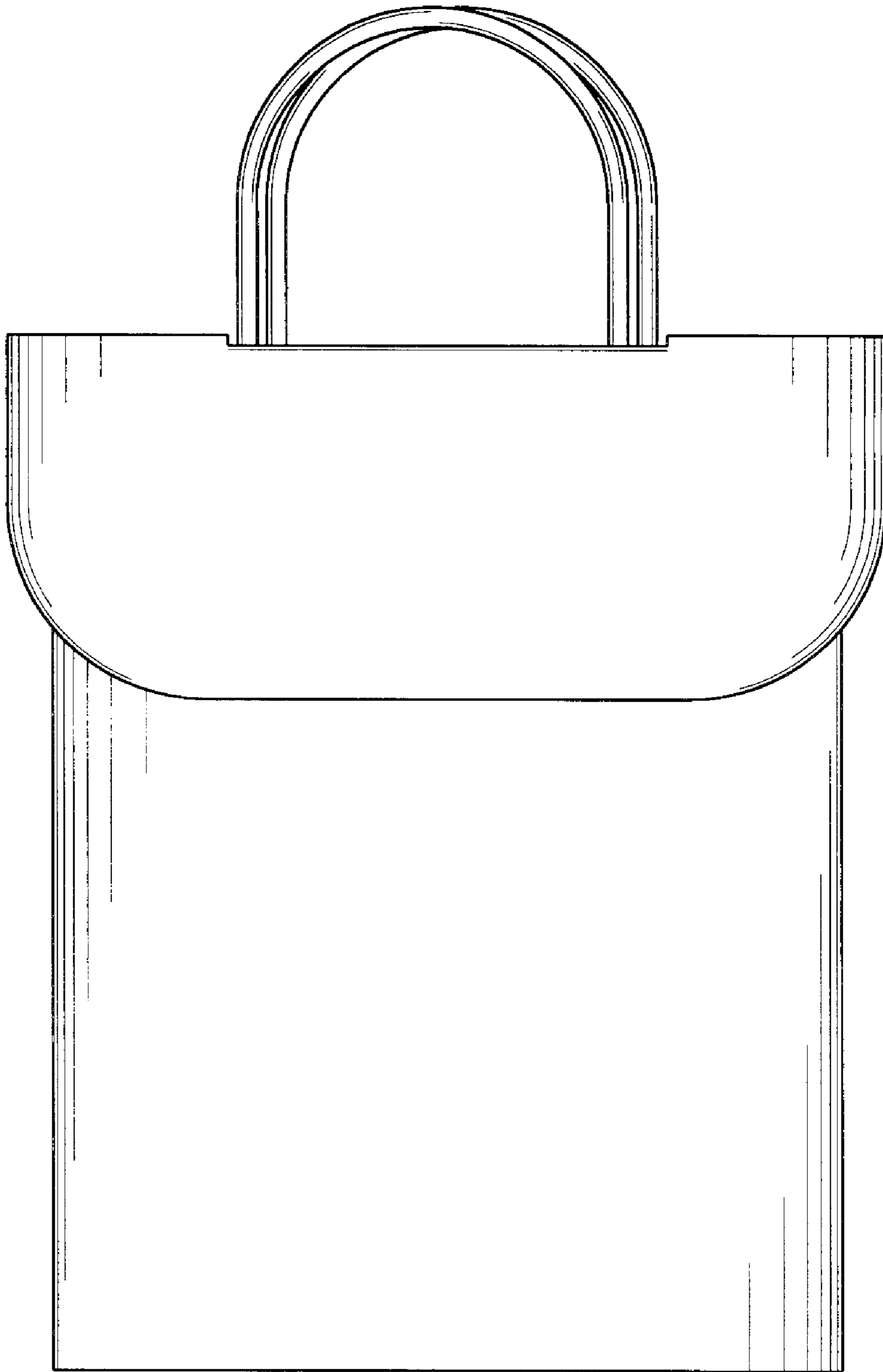
FIG. 7 is a bottom view thereof.

**1 Claim, 6 Drawing Sheets**

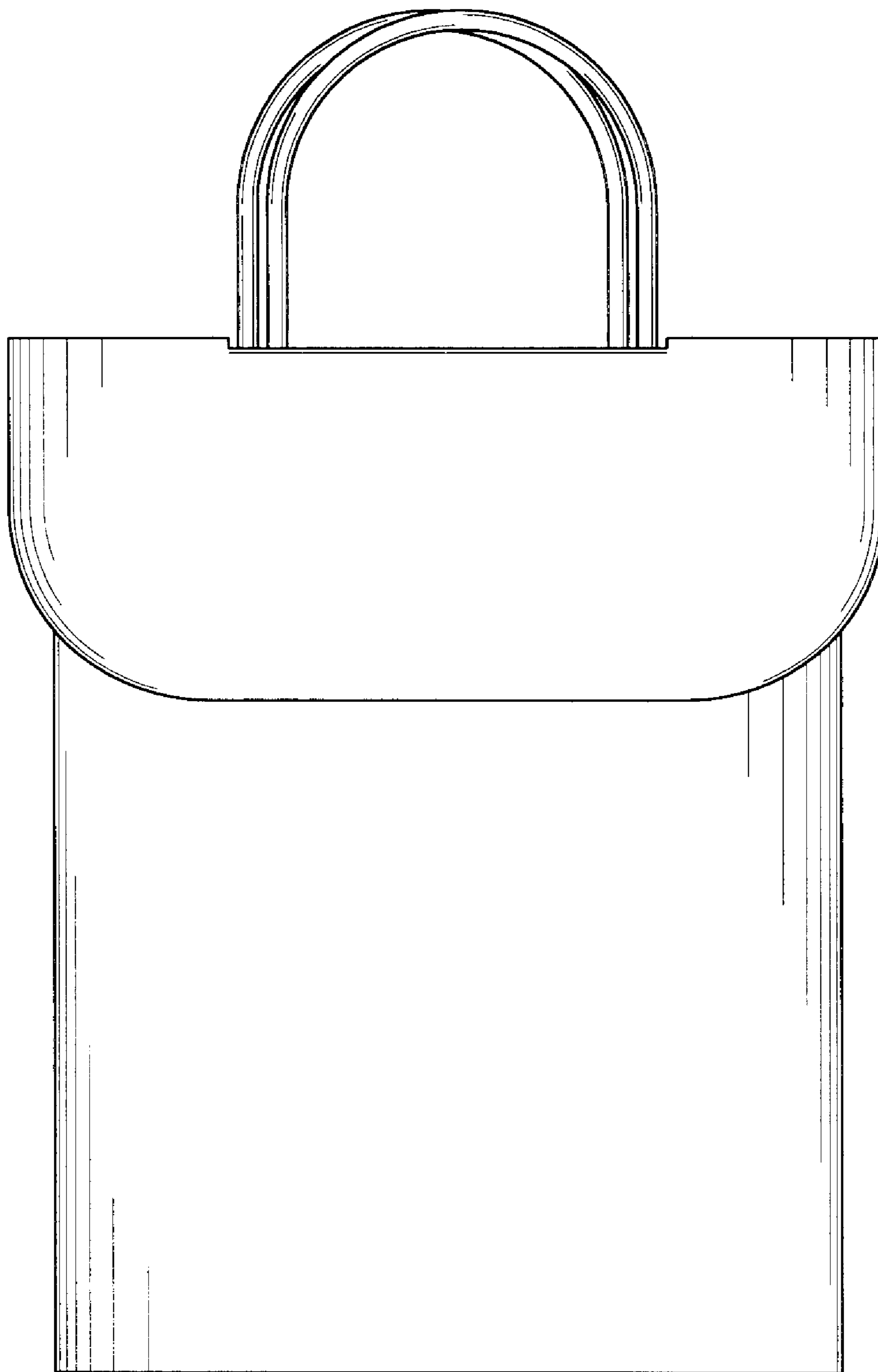




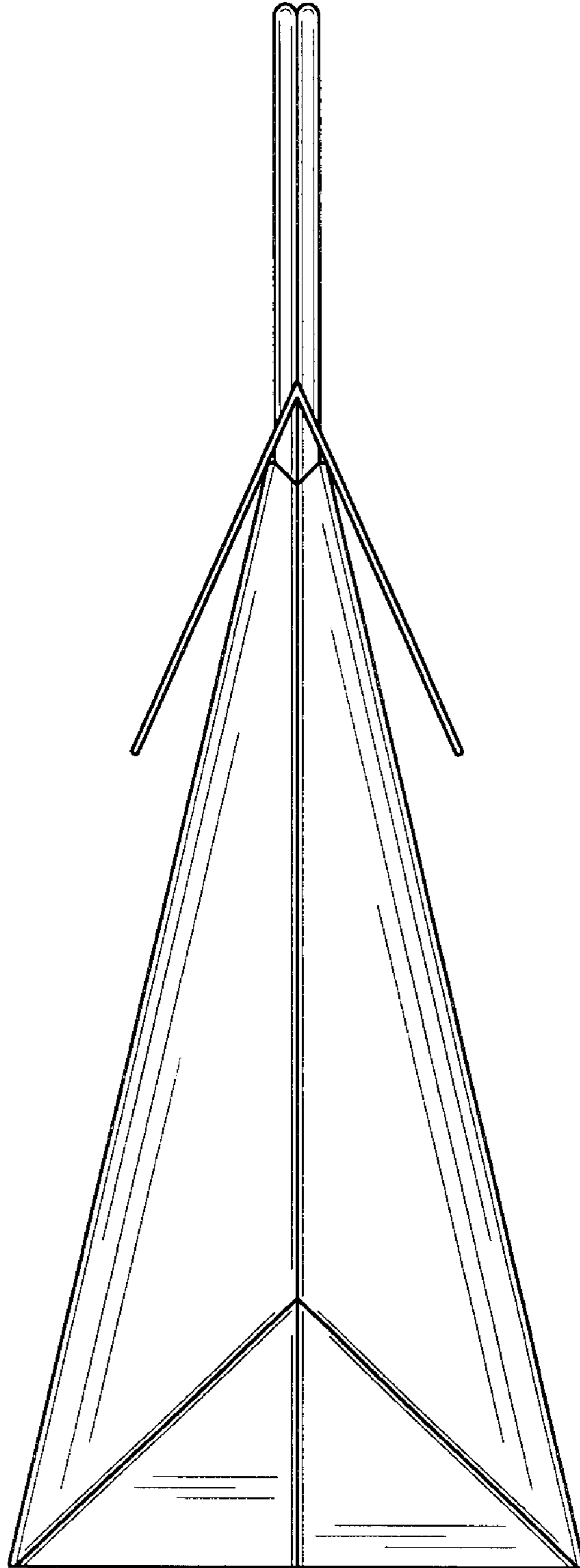
*FIG. 1*



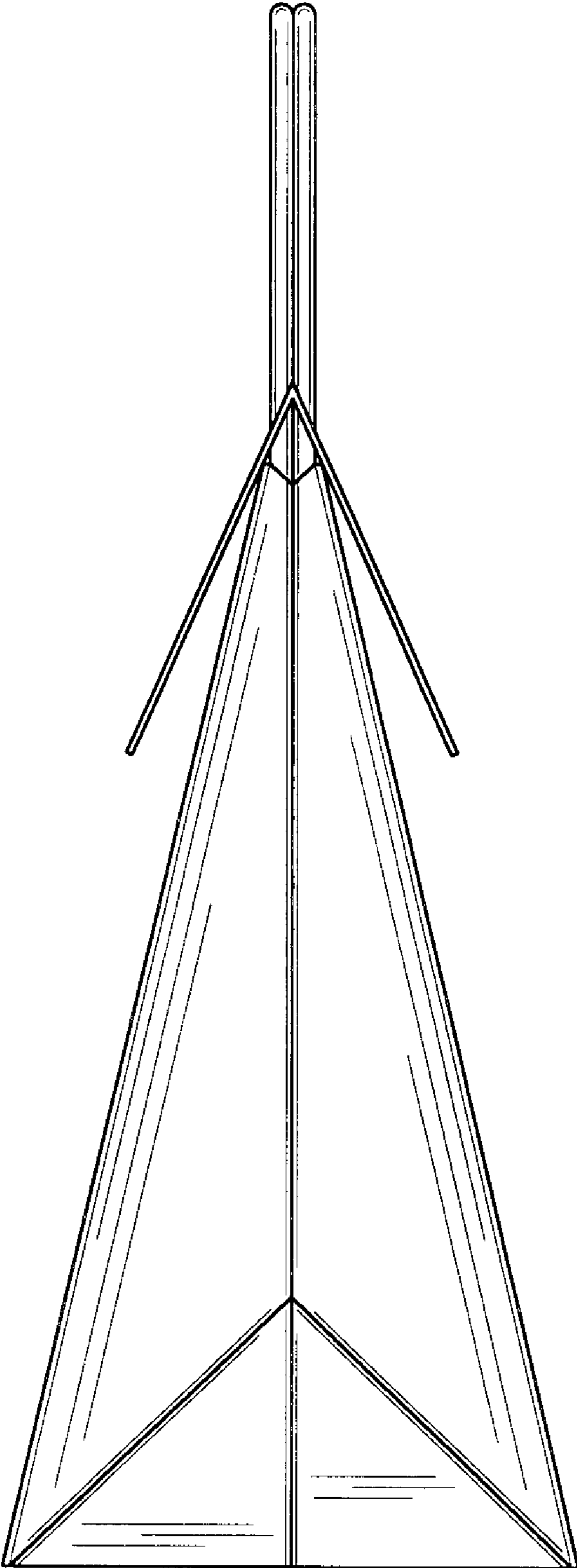
*FIG. 2*



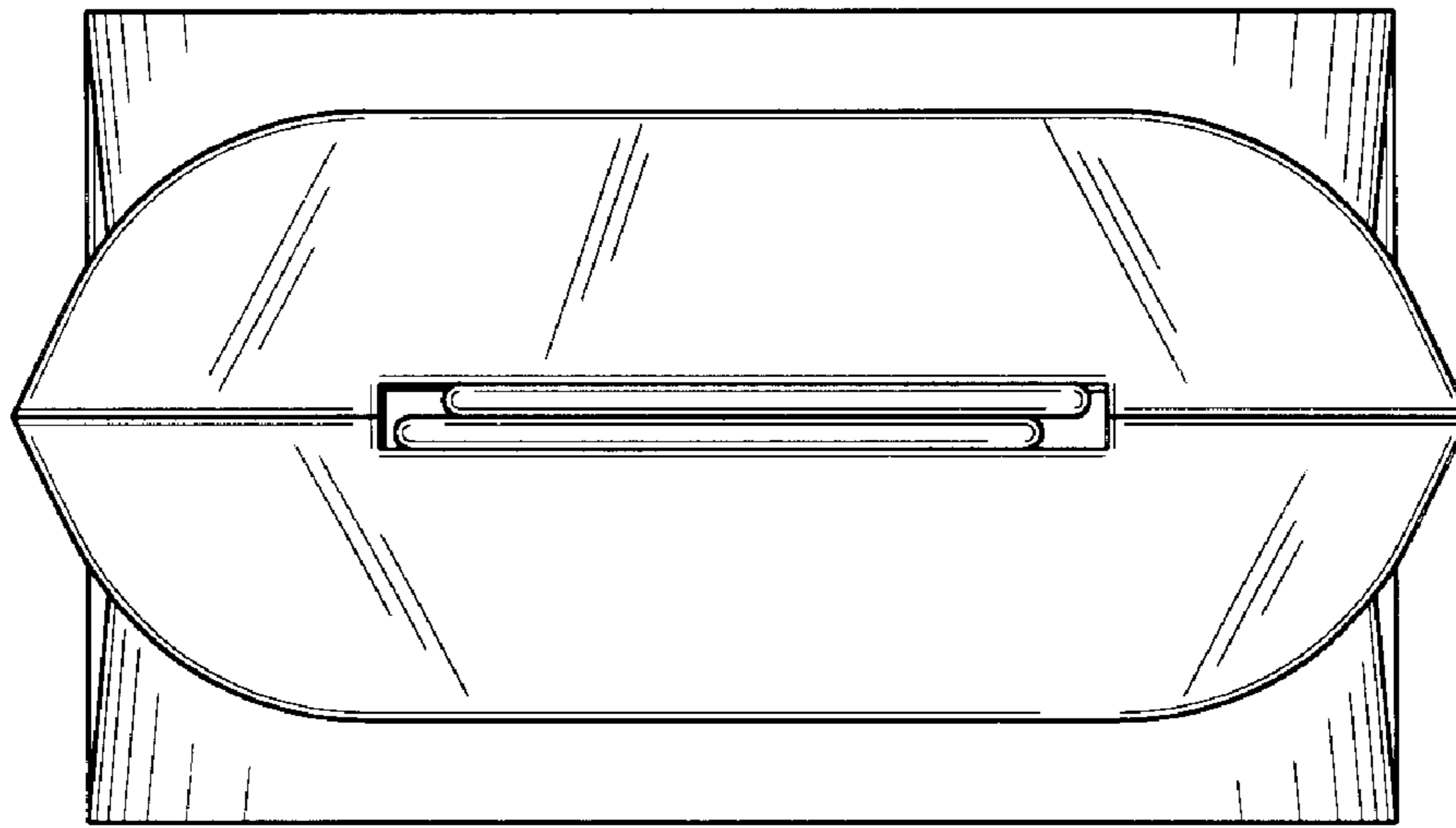
*FIG. 3*



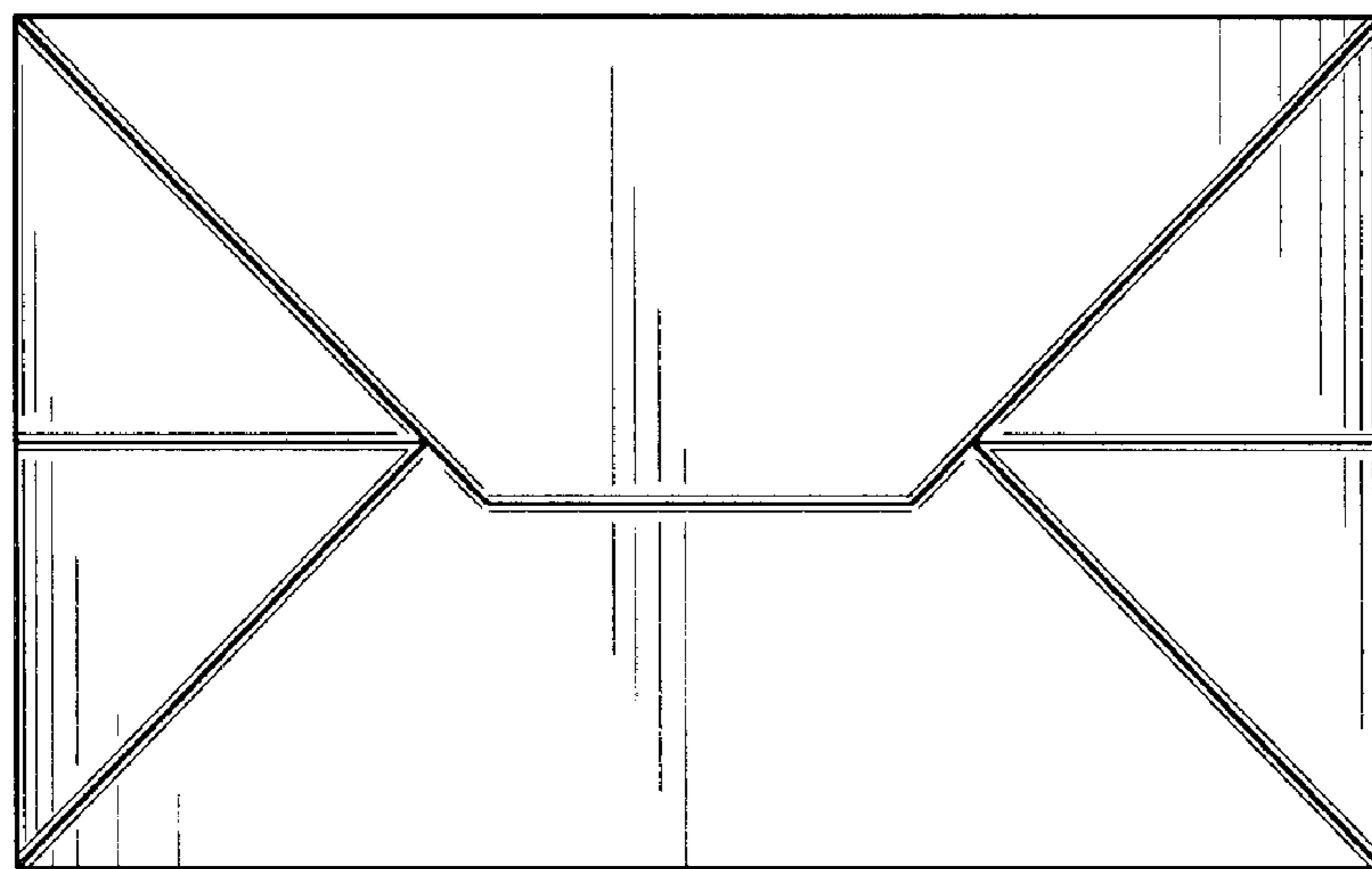
*FIG. 4*



*FIG. 5*



*FIG. 6*



*FIG. 7*