



US00D537353S

(12) **United States Design Patent**
Bailey et al.

(10) **Patent No.:** **US D537,353 S**

(45) **Date of Patent:** **** Feb. 27, 2007**

(54) **WATER CONTAINER**

(75) **Inventors:** **Gary Van Bailey, W. Vancouver (CA);**
Glenn Ronald Bailey, W. Vancouver
(CA)

(73) **Assignee:** **WA-2 Water Company Ltd. (CA)**

(**) **Term:** **14 Years**

(21) **Appl. No.:** **29/220,454**

(22) **Filed:** **Dec. 29, 2004**

(51) **LOC (8) Cl.** **09-01**

(52) **U.S. Cl.** **D9/540; D9/549**

(58) **Field of Classification Search** **D9/500,**
D9/502-503, 516, 520, 530-531, 536-539,
D9/549, 552-553, 556-558, 565-566, 569,
D9/574-575; D24/121; D23/209, 226, 295,
D23/298-299, 901; D32/121, 132; 215/379,
215/381-385, 396, 398; 220/660, 662

See application file for complete search history.

(56) **References Cited**

U.S. PATENT DOCUMENTS

3,170,479 A 2/1965 Mueller
3,223,041 A 12/1965 Quinn
3,252,420 A 5/1966 Sorensen
3,339,578 A 9/1967 Smith
3,572,553 A 3/1971 Ogden
D246,325 S * 11/1977 Rakocy et al. D29/126
4,120,611 A 10/1978 Salve
D263,795 S * 4/1982 Pagels D9/520
D288,293 S * 2/1987 Arvans D9/500
4,881,661 A 11/1989 Jones
4,923,091 A 5/1990 Sutera
D325,344 S * 4/1992 Scholle D9/520
5,111,966 A 5/1992 Fridman
5,114,042 A 5/1992 Sutera
5,368,197 A 11/1994 Sutera

5,540,355 A 7/1996 Hancock et al.
5,611,459 A 3/1997 Hinch
D381,141 S * 7/1997 Balz D32/29.1
D383,264 S * 9/1997 Balz D32/29.1
D406,926 S * 3/1999 Kolozsvari D30/132
5,901,880 A 5/1999 Clark
6,012,481 A 1/2000 Lenart
6,056,154 A 5/2000 Fowler
6,059,146 A 5/2000 Meisner et al.
6,209,753 B1 4/2001 Ohu
D448,289 S * 9/2001 Yuen et al. D9/428

FOREIGN PATENT DOCUMENTS

CA 2019706 12/1990
CA 2000093 4/1991
CA 2152012 12/1996
CA 2180384 1/1998
WO DM/050531 * 1/2000

* cited by examiner

Primary Examiner—Ian Simmons

Assistant Examiner—Dana Sipos

(74) *Attorney, Agent, or Firm*—Graybeal Jackson Haley
LLP

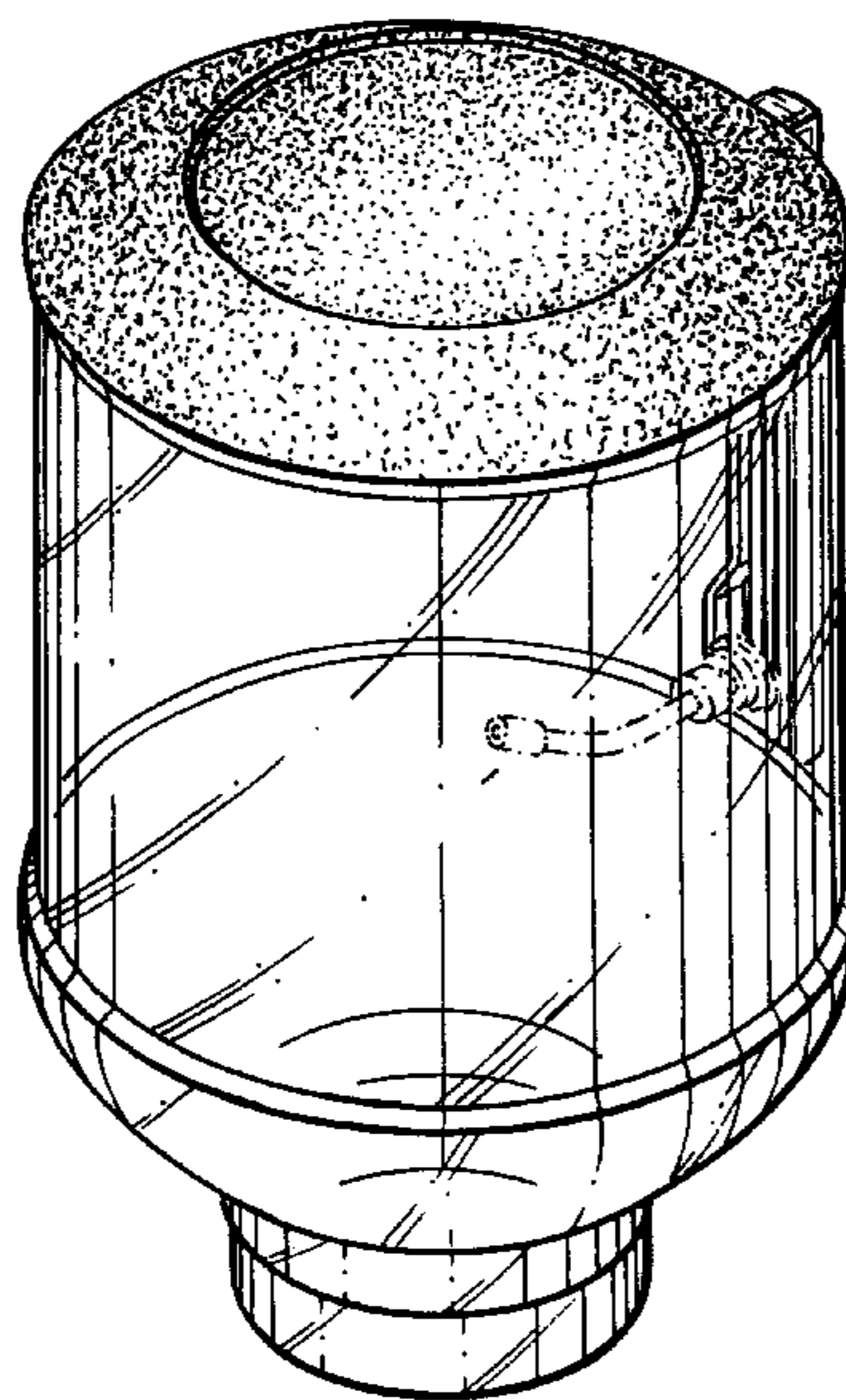
(57) **CLAIM**

The ornamental design for a water container, as shown and described.

DESCRIPTION

FIG. 1 is a front, right perspective view of a water container;
FIG. 2 is a top plan view thereof;
FIG. 3 is a front elevational view thereof;
FIG. 4 is a bottom plan view thereof;
FIG. 5 is a rear elevational view thereof;
FIG. 6 is a right side elevational view thereof; and,
FIG. 7 is a left side elevational view thereof.
The broken lines shown in the drawings are for illustrative purposes only and form no part of the claimed design.

1 Claim, 4 Drawing Sheets



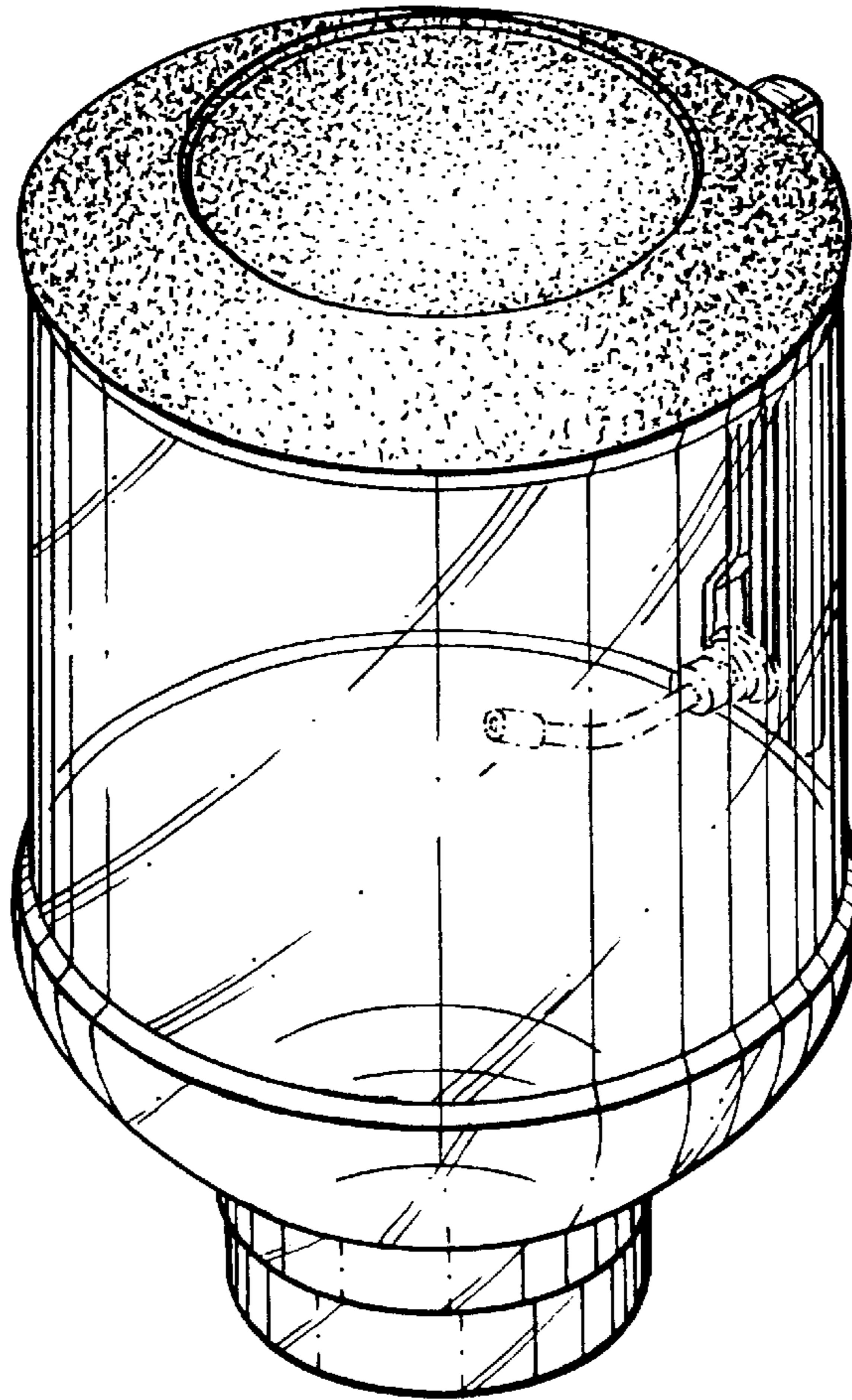


FIG. 1

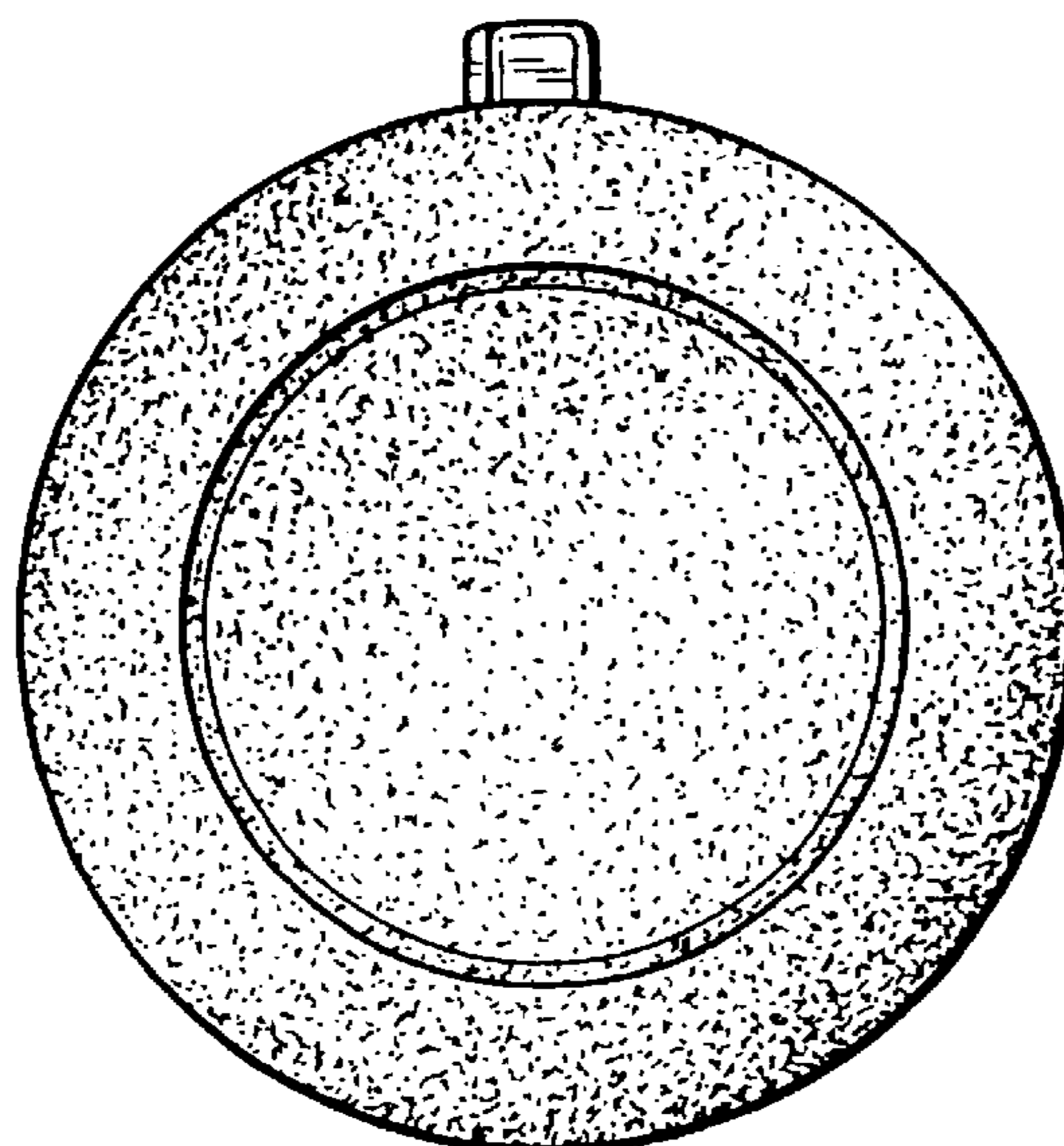


FIG. 2

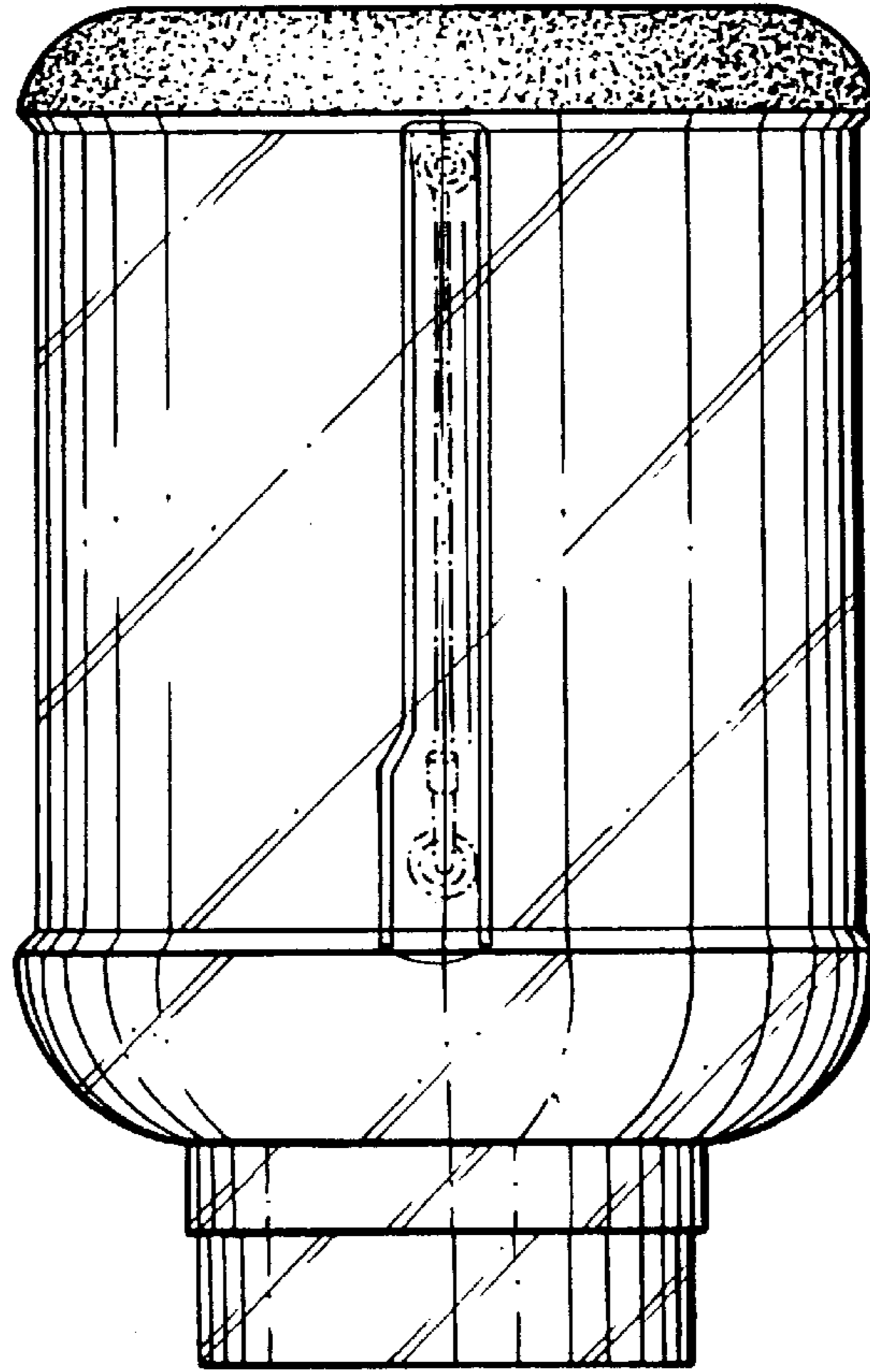


FIG. 3

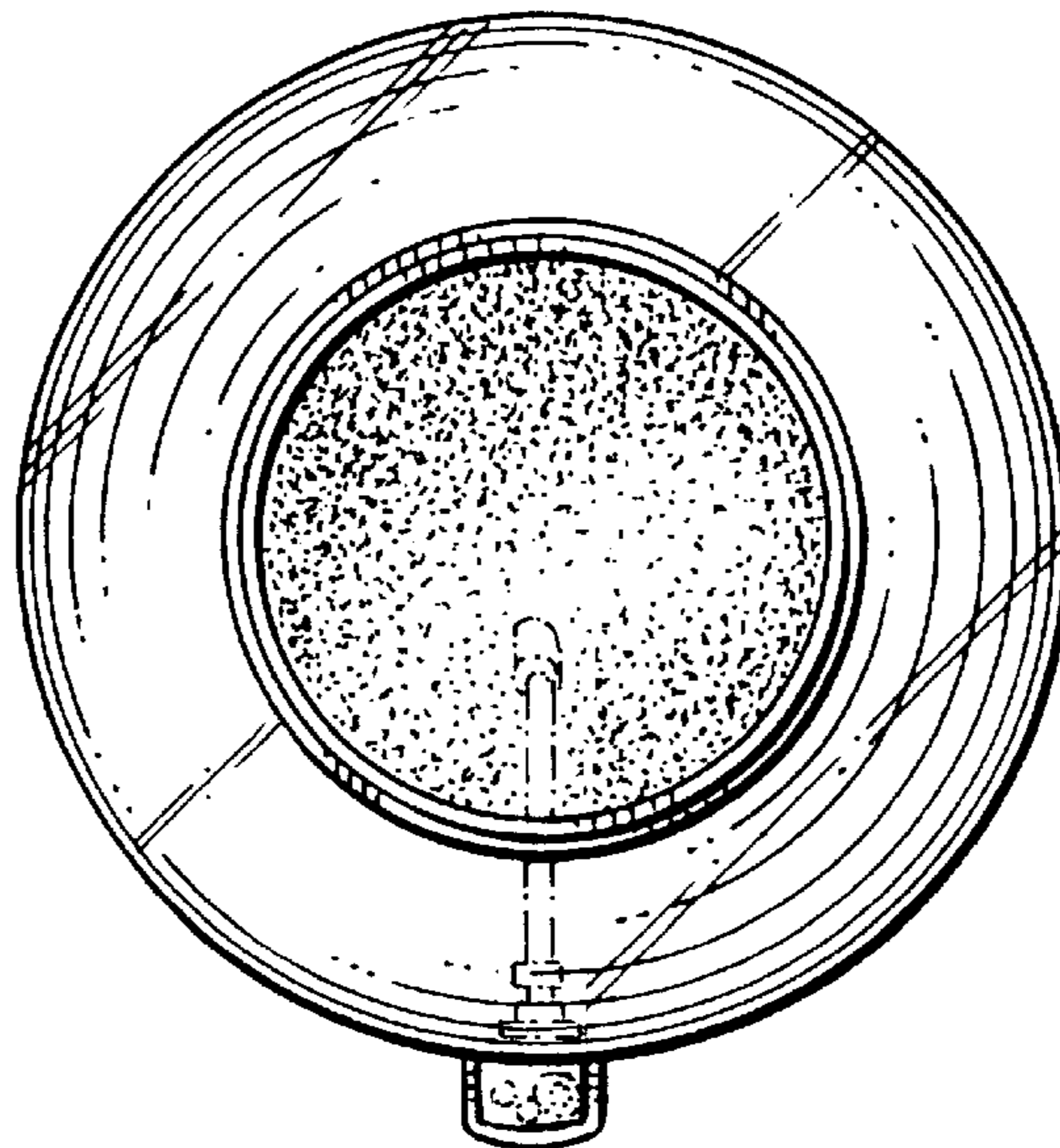


FIG. 4

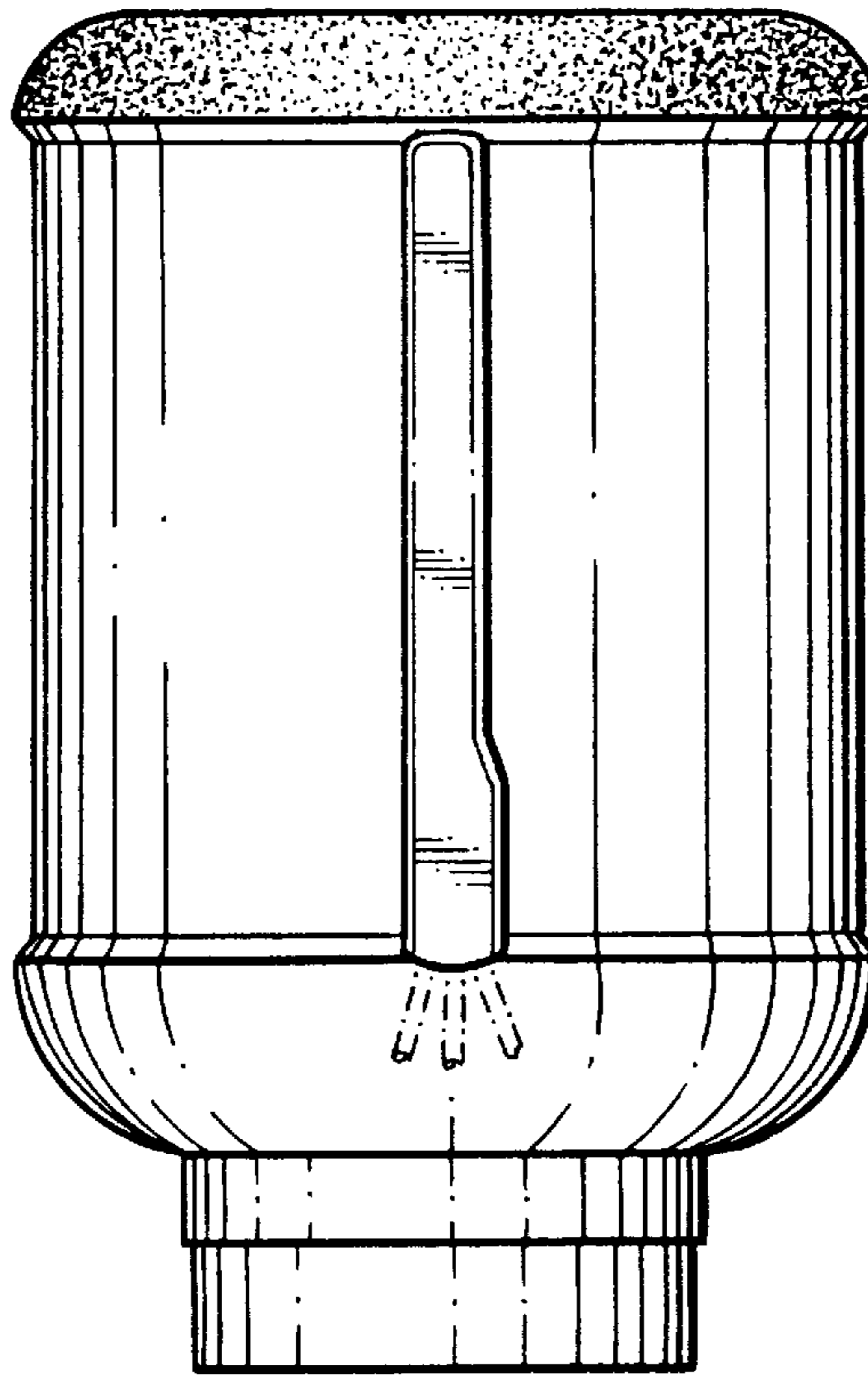


FIG. 5

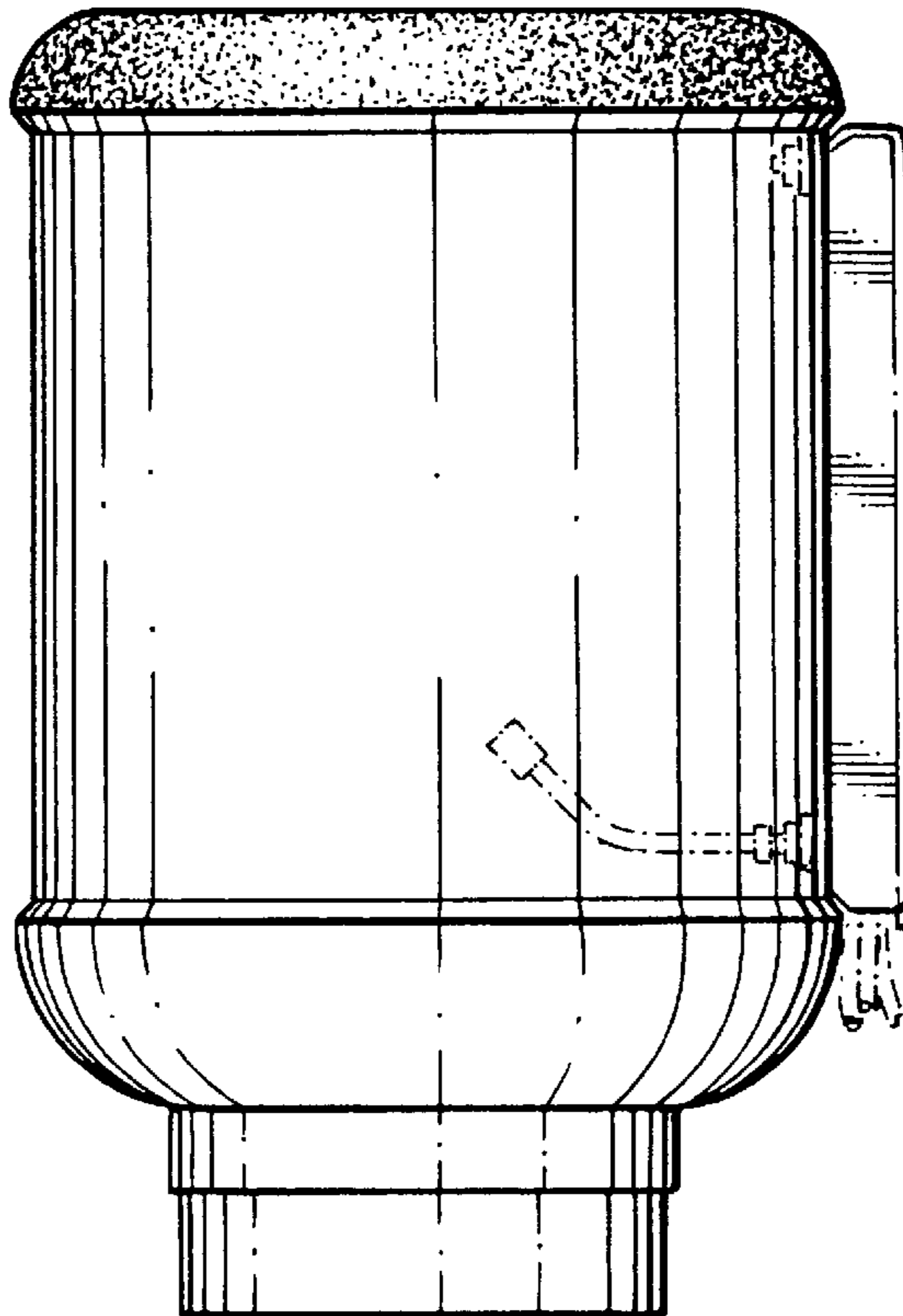


FIG. 6

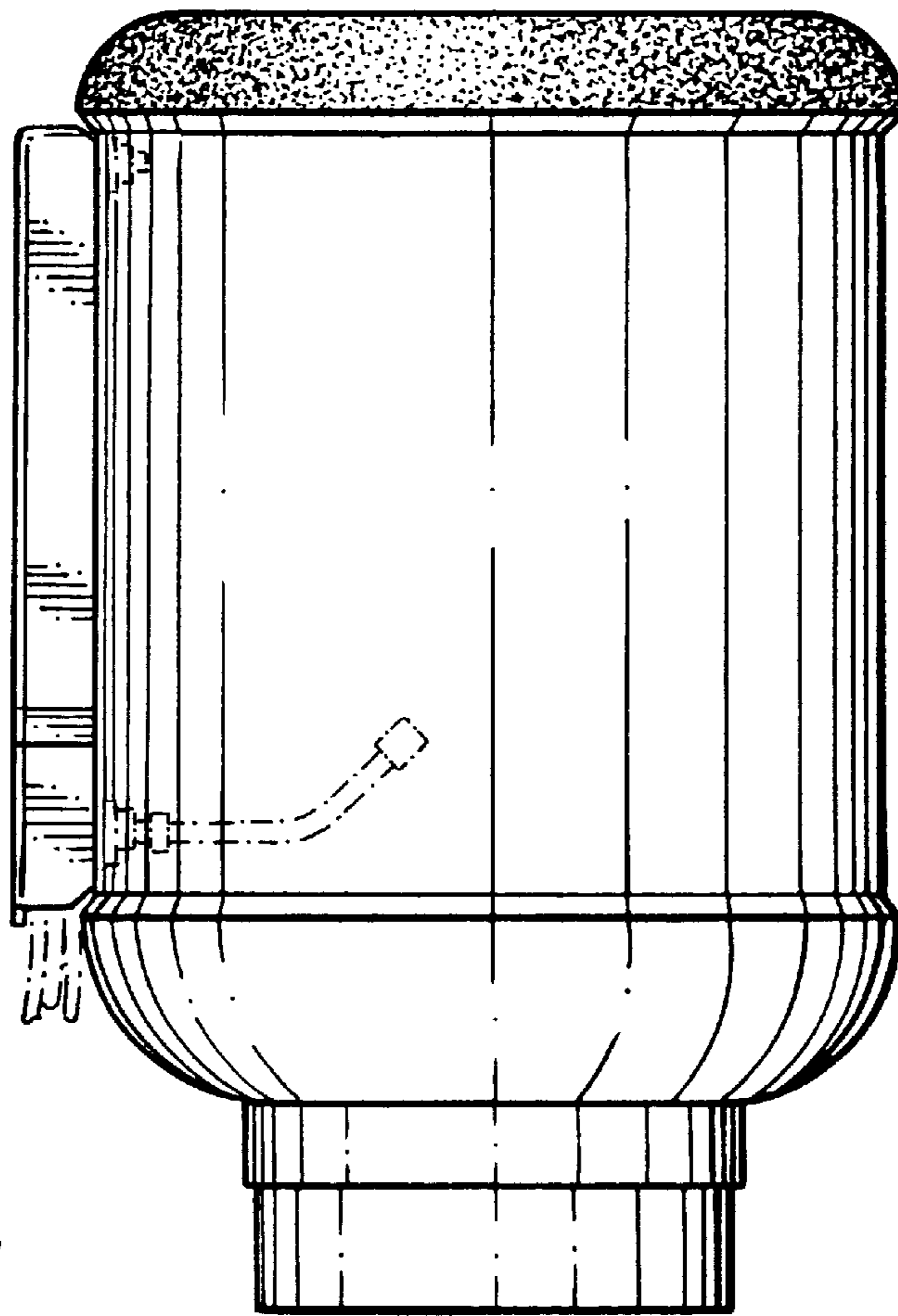


FIG. 7