



US00D537351S

(12) **United States Design Patent**  
**Caserta et al.**

(10) **Patent No.:** **US D537,351 S**

(45) **Date of Patent:** **\*\* Feb. 27, 2007**

(54) **CONTAINER**

(75) Inventors: **Andrea Caserta**, Barcelona (ES);  
**Ruben Garcia Fabrega**, Barcelona  
(ES); **Fernando Mayor Sans**,  
Barcelona (ES)

(73) Assignee: **Zobebe Espana S.A.**, Barcelona (ES)

(\*\*) Term: **14 Years**

(21) Appl. No.: **29/244,450**

(22) Filed: **Dec. 9, 2005**

(51) **LOC (8) Cl.** ..... **09-01**

(52) **U.S. Cl.** ..... **D9/522; D9/523; D9/575**

(58) **Field of Classification Search** ..... D9/682,  
D9/686-689, 693-694, 723-725, 727-729,  
D9/763-764, 770, 521-523, 526-530, 537-545,  
D9/547-549, 551-552, 556, 558, 561, 563-565,  
D9/569, 571-575, 452-454; 215/382-384,  
215/396, 398; 220/660, 669, 675; 222/210,  
222/212-213; D23/356-359

See application file for complete search history.

(56) **References Cited**

**U.S. PATENT DOCUMENTS**

- D160,209 S \* 9/1950 Piccoli ..... D9/571
- D432,222 S \* 10/2000 Rymer et al. .... D23/366
- D433,744 S \* 11/2000 Basaganas ..... D23/366
- D444,220 S \* 6/2001 Basaganas ..... D23/366
- D454,628 S \* 3/2002 Basaganas ..... D23/366

- D461,407 S \* 8/2002 Barnes et al. .... D9/453
- D461,885 S \* 8/2002 Jordi ..... D23/366
- D475,774 S \* 6/2003 Millan ..... D23/366
- D476,727 S \* 7/2003 Basaganas Millan ..... D23/366
- D476,895 S \* 7/2003 Fellows et al. .... D9/516
- D479,804 S \* 9/2003 Wolpert et al. .... D9/574
- 6,659,301 B2 \* 12/2003 Fellows et al. .... 215/400
- D498,146 S \* 11/2004 Densky et al. .... D9/571
- D503,621 S \* 4/2005 Heater ..... D9/522
- D505,330 S \* 5/2005 Wolpert ..... D9/522
- D518,730 S \* 4/2006 Caserta et al. .... D9/522
- D522,360 S \* 6/2006 Caserta et al. .... D9/447

\* cited by examiner

*Primary Examiner*—Carol Rademaker

(74) *Attorney, Agent, or Firm*—Knobbe Martens Olson &  
Bear LLP

(57) **CLAIM**

The ornamental design for an container, as shown and  
described.

**DESCRIPTION**

FIG. 1 is a top, rear, and left side perspective view of a  
container showing the new design;

FIG. 2 is a top, front, and left side perspective view thereof;

FIG. 3 is a rear elevational view thereof;

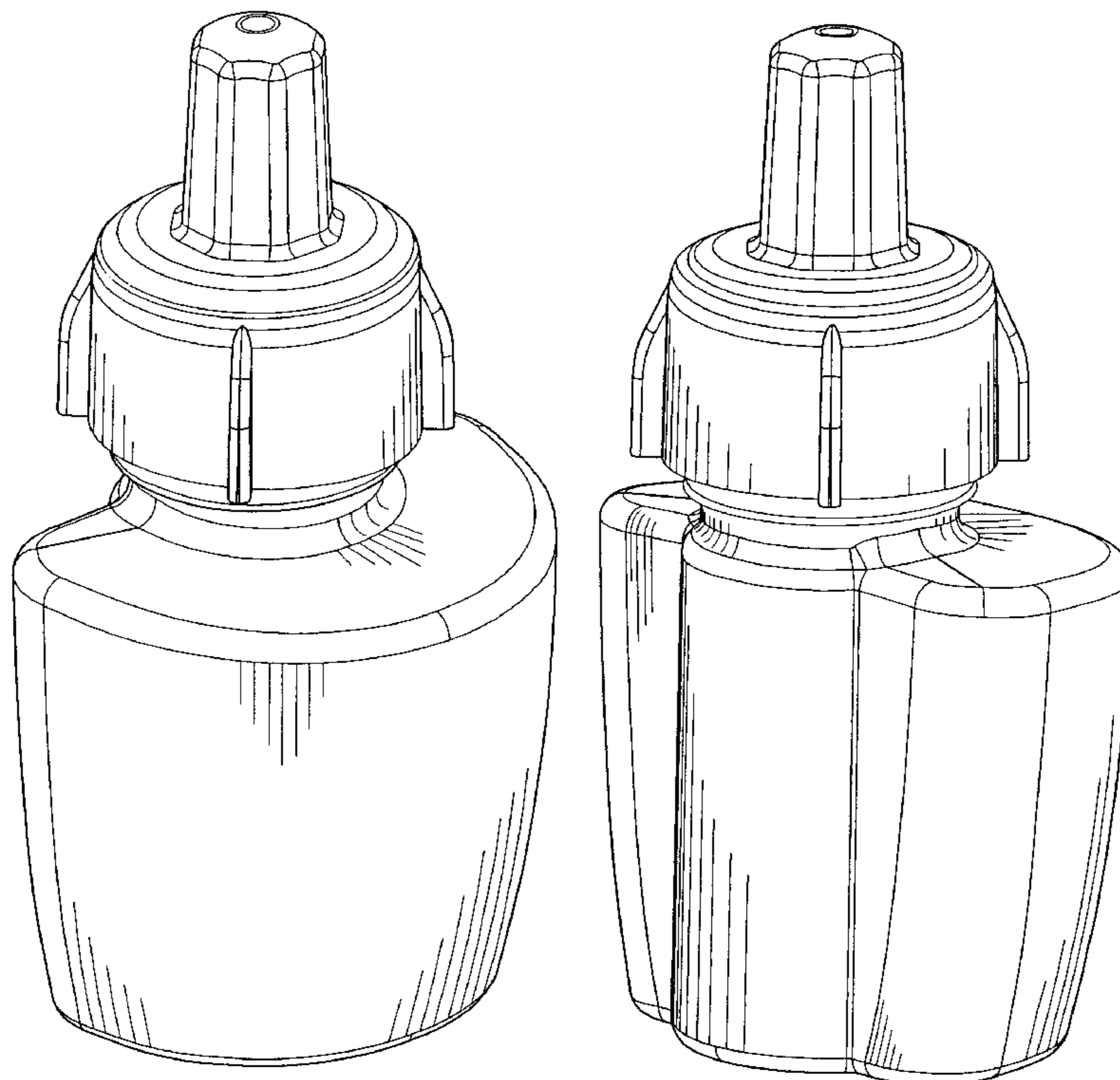
FIG. 4 is a top plan thereof;

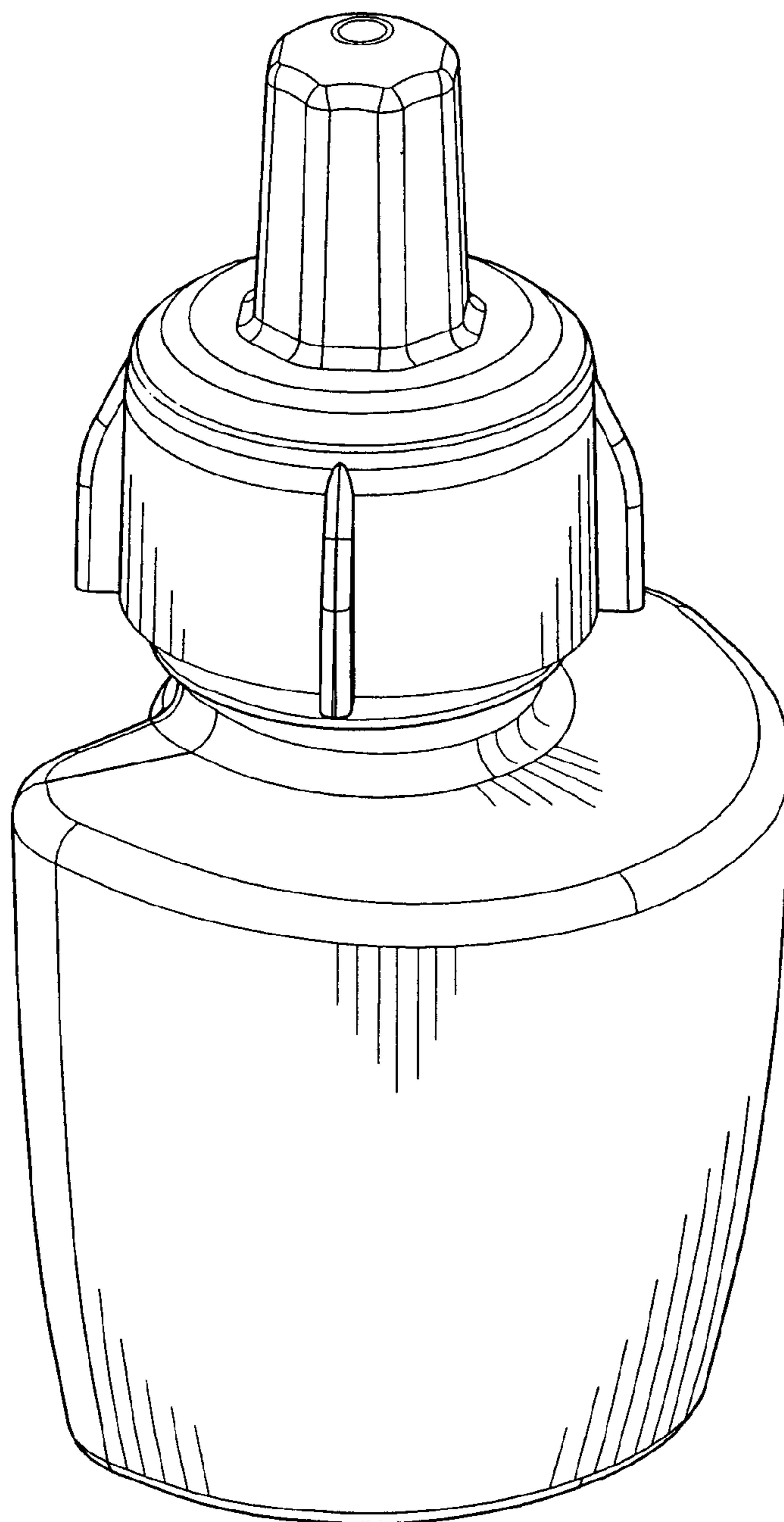
FIG. 5 is a left side elevational view thereof;

FIG. 6 is a front elevational view thereof; and,

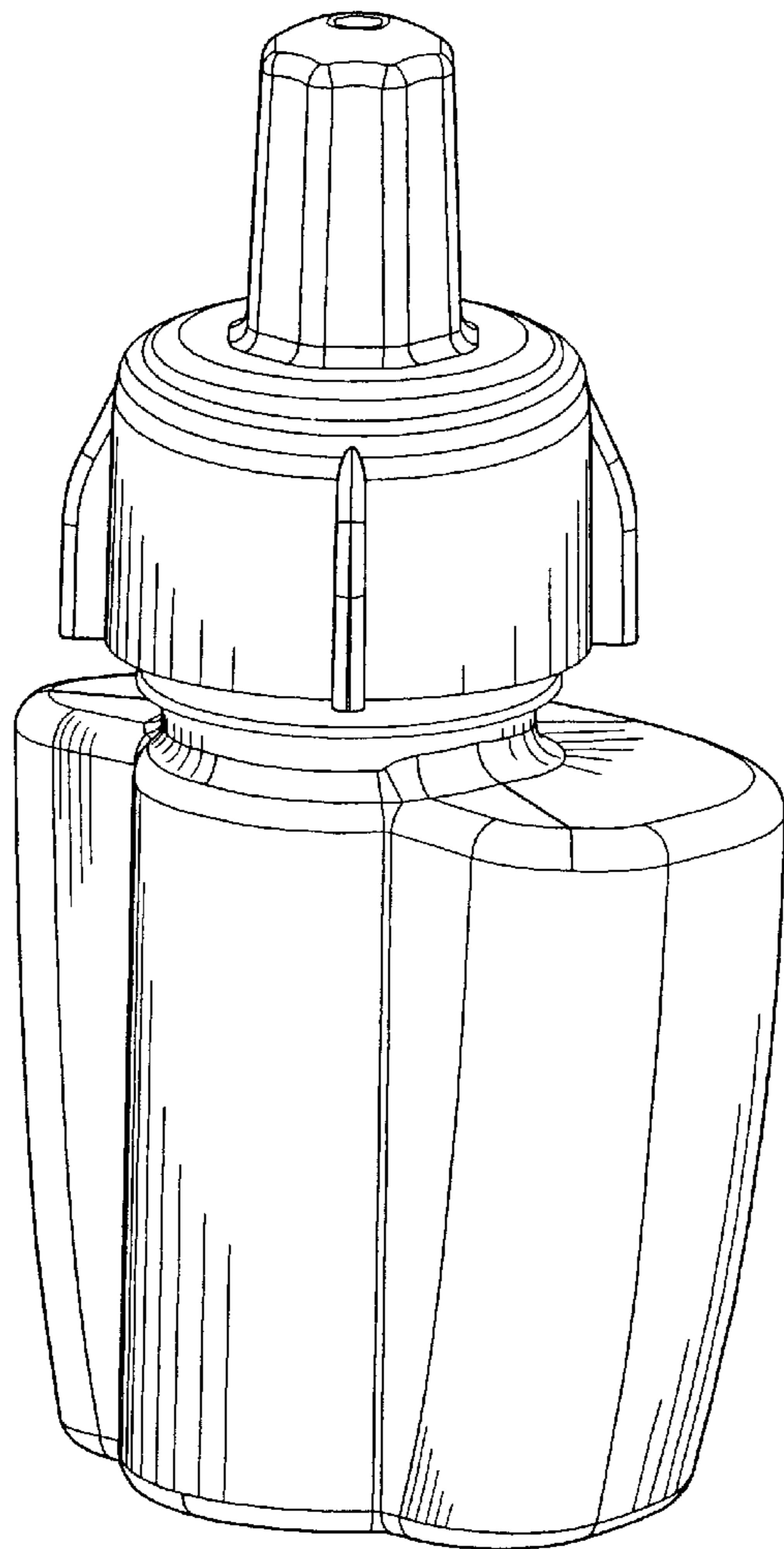
FIG. 7 is a right side elevational view thereof.

**1 Claim, 7 Drawing Sheets**





**FIG. 1**



**FIG. 2**

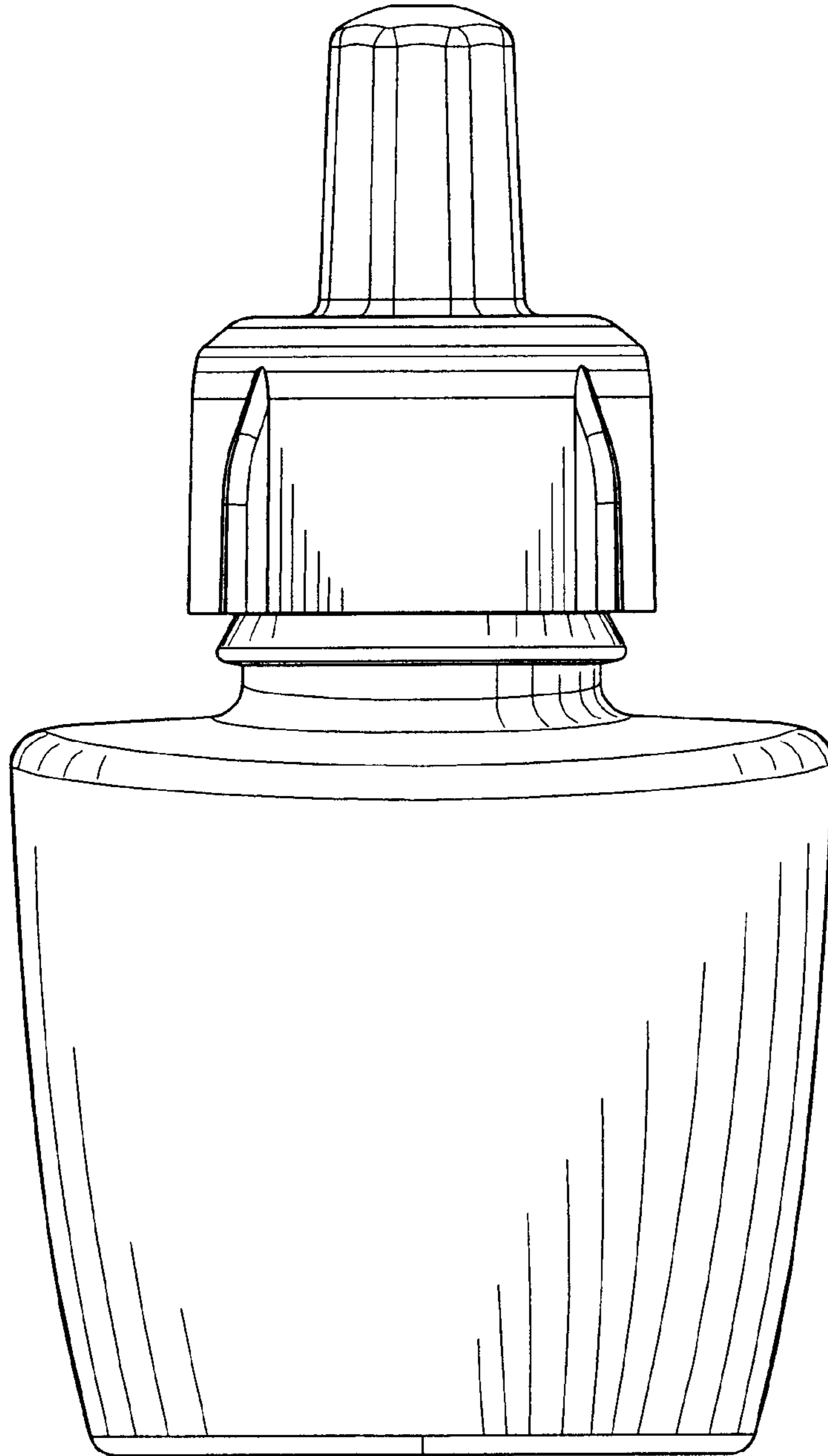
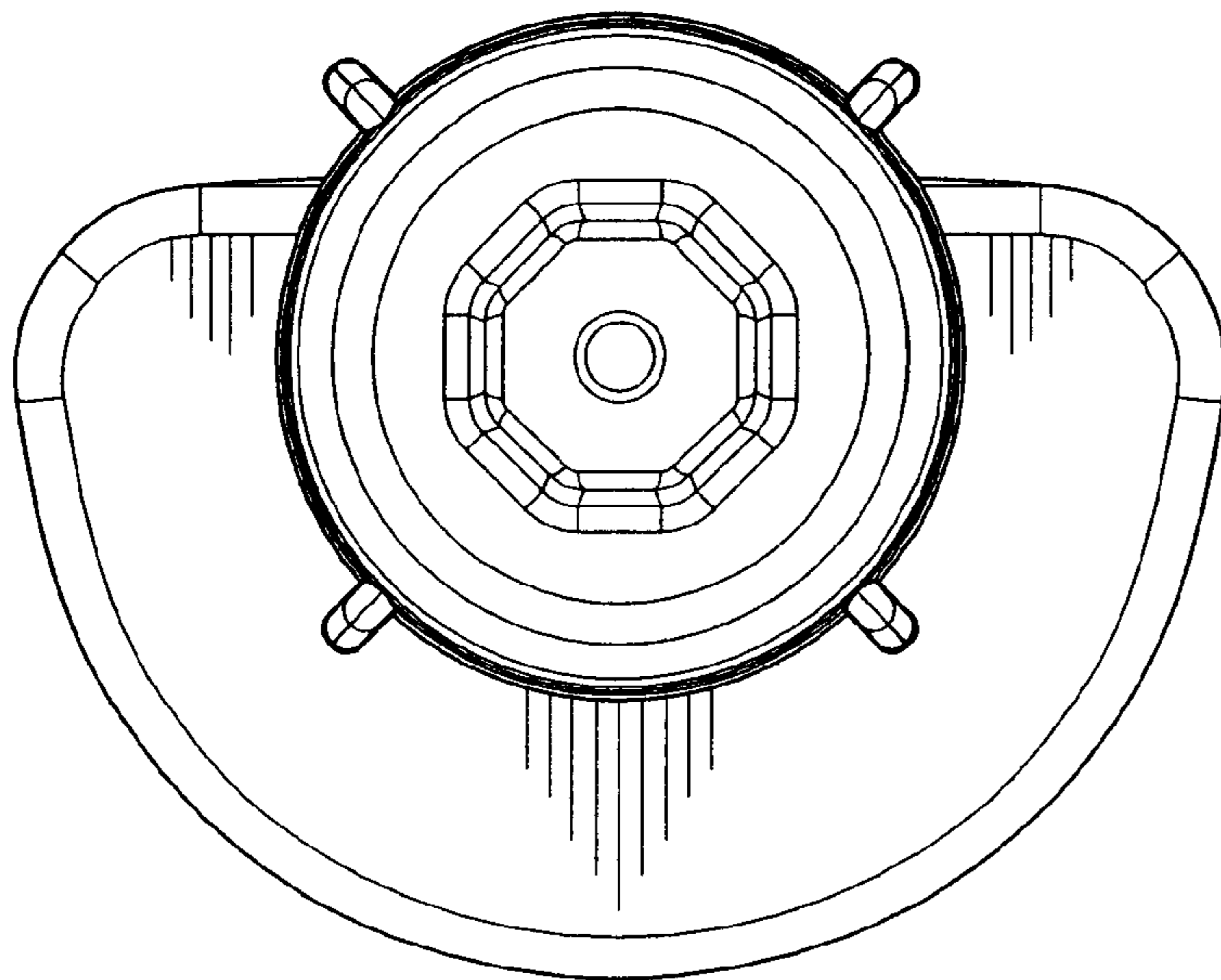
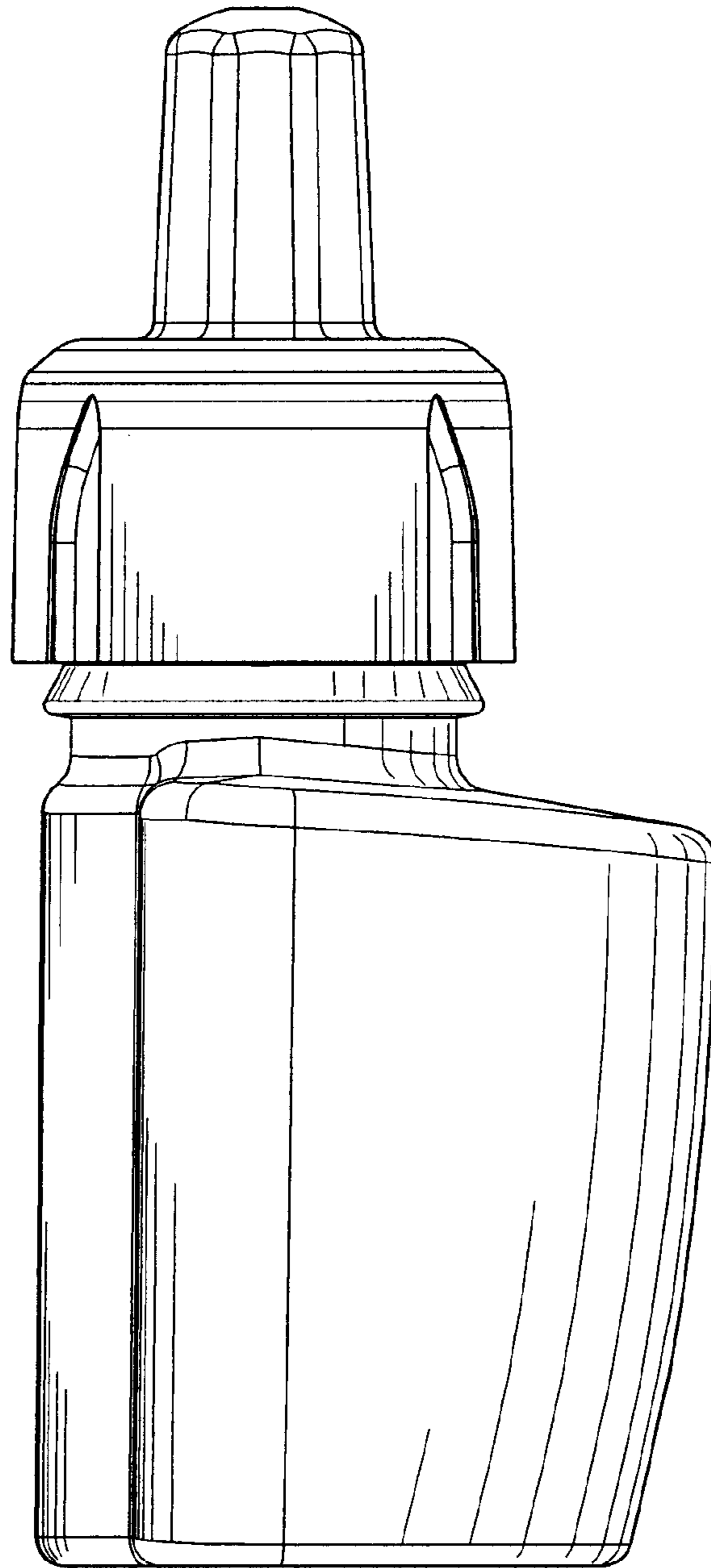


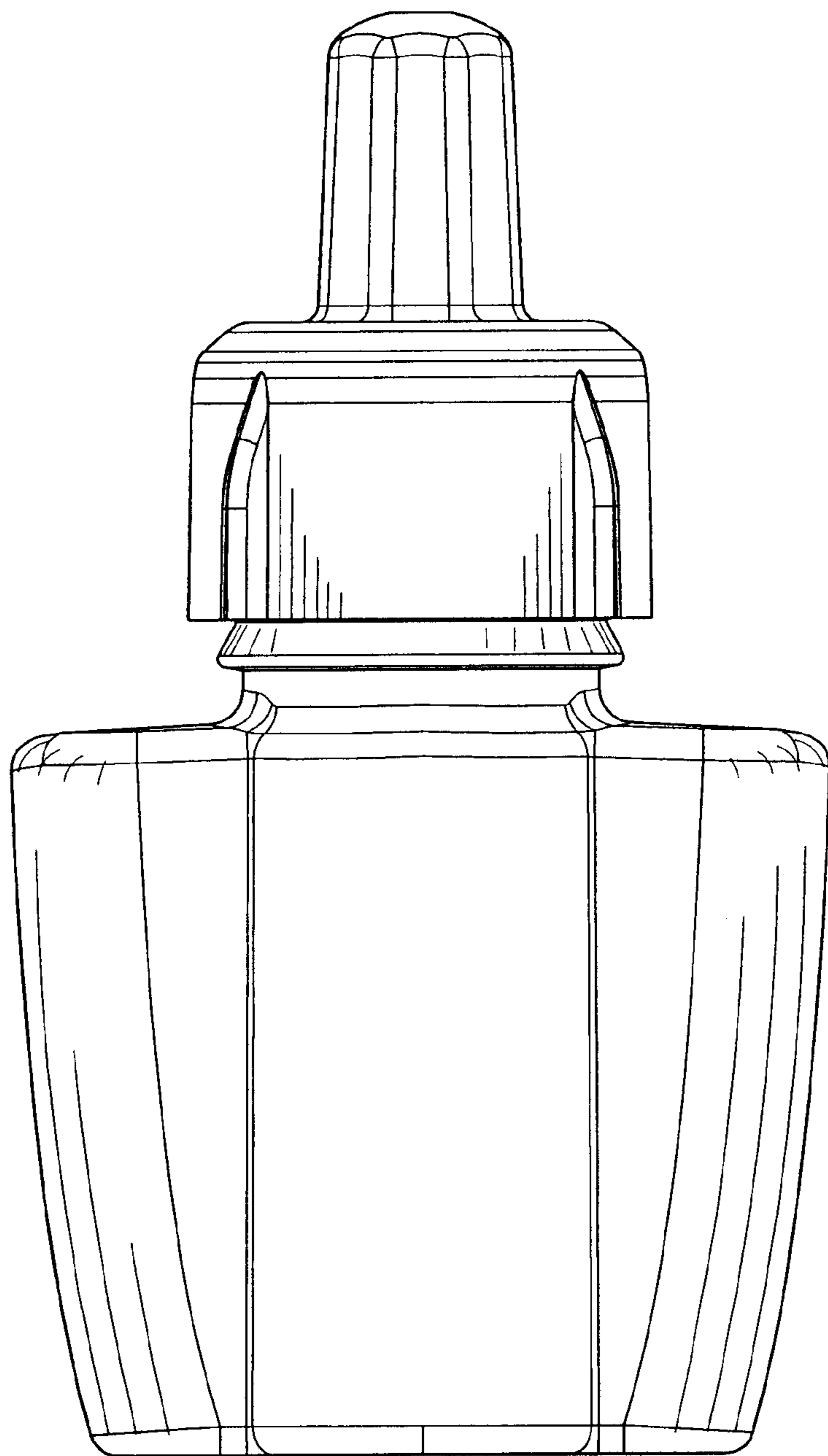
FIG. 3



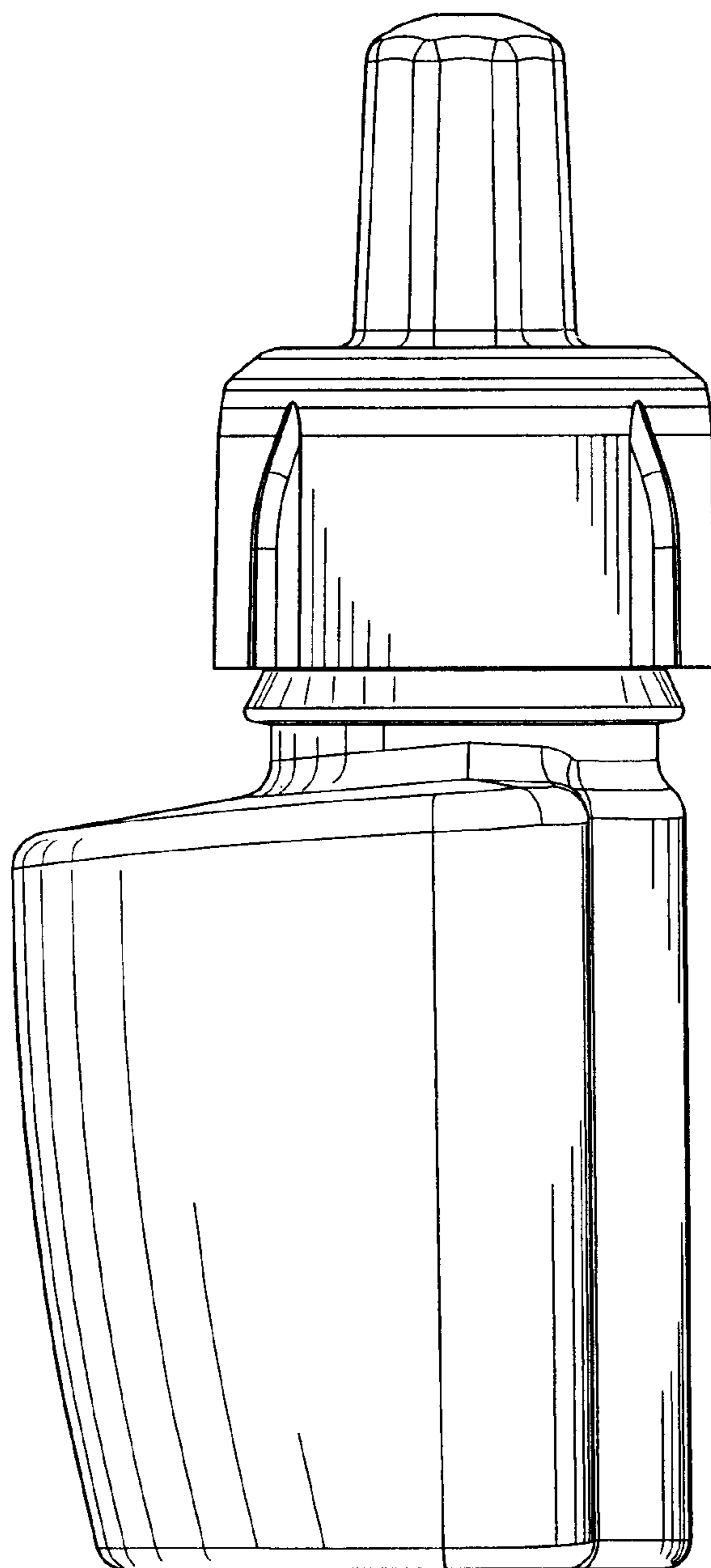
**FIG. 4**



**FIG. 5**



**FIG. 6**



**FIG. 7**