



US00D537344S

(12) **United States Design Patent** (10) **Patent No.:** **US D537,344 S**
O'Brien et al. (45) **Date of Patent:** **** Feb. 27, 2007**

(54) **APPLICATOR**

(75) Inventors: **Gerard Michael O'Brien**,
Hertfordshire (GB); **George Reeves**,
Bucks (GB)

(73) Assignee: **S.C. Johnson & Son, Inc.**, Racine, WI
(US)

(**) Term: **14 Years**

6,273,152 B1 8/2001 Buehler et al.
D463,284 S * 9/2002 Poisson et al. D9/522
D466,401 S * 12/2002 Cohen et al. D9/504
D468,640 S * 1/2003 Mitchell et al. D9/503
6,667,286 B1 12/2003 Dettinger et al.
D507,490 S * 7/2005 Mero et al. D9/550
D512,918 S * 12/2005 Ruiz D9/520
D513,185 S * 12/2005 Ruiz D9/504
D513,187 S * 12/2005 Ruiz D9/540
D516,430 S * 3/2006 Ruiz D9/504

FOREIGN PATENT DOCUMENTS

DE 956 298 1/1957
DE 44 36 286 A1 4/1996
DE 196 18 179 A1 11/1997
EP 0 457 452 A2 11/1991
EP 1 258 571 A2 11/2002
WO WO 03/043906 A1 5/2003
WO WO 2004/043825 A1 5/2004

* cited by examiner

Primary Examiner—Carol Rademaker

(57) **CLAIM**

The ornamental design for an applicator, as shown and described.

DESCRIPTION

The nature of this product is an applicator used to apply cleaning gel and/or disinfecting and/or fragrancing adhesive gel to the inside surface of a toilet bowl.

FIG. 1 is a top, front, right perspective view of an applicator embodying our new design;

FIG. 2 is a front elevational view thereof, the rear elevational view being identical to the front elevational view;

FIG. 3 is a left side elevational view thereof, the right side elevational view being identical to the left side elevational view;

FIG. 4 is a top plan view thereof; and,

FIG. 5 is a bottom plan view thereof.

The broken lines shown in the drawings are for illustrative purposes only and form no part of the claimed design.

1 Claim, 2 Drawing Sheets

(21) Appl. No.: **29/233,723**

(22) Filed: **Jul. 8, 2005**

(51) **LOC (8) Cl.** **09-01**

(52) **U.S. Cl.** **D9/516; D9/549; D9/552;**
D9/556; D9/558

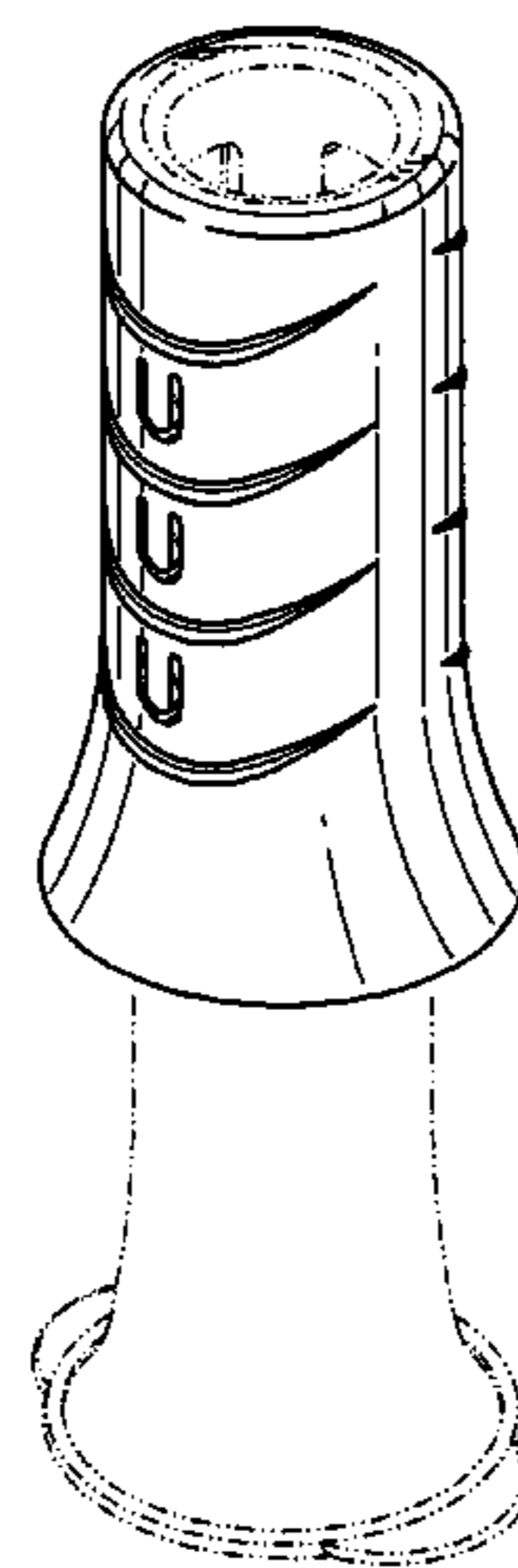
(58) **Field of Classification Search** D9/682,
D9/686-694, 718, 723-724, 905, 516-517,
D9/529-530, 537-540, 549, 551-552, 556-558;
D1/102-103, 105, 130, 199; 215/12.1-12.2,
215/382-384; 220/4.27, 23.4, 23.83, 561,
220/761, 766, 770

See application file for complete search history.

(56) **References Cited**

U.S. PATENT DOCUMENTS

3,926,343 A 12/1975 Kleiner
4,252,507 A 2/1981 Knickerbocker
4,273,257 A 6/1981 Smith et al.
4,445,626 A 5/1984 Steffen et al.
4,485,943 A 12/1984 Czech
4,694,977 A 9/1987 Graf et al.
D303,627 S * 9/1989 Wilkinson D9/689
4,944,430 A 7/1990 Graf et al.
4,962,868 A 10/1990 Borchard
D318,731 S * 7/1991 Chapin D24/198
5,141,129 A * 8/1992 Jennings 221/154
5,219,448 A 6/1993 Hackmann
D357,189 S * 4/1995 Daucourt D9/545
5,876,137 A * 3/1999 Byrd 401/78
D425,411 S * 5/2000 May D9/730
D428,656 S * 7/2000 Alexander et al. D24/197
6,187,350 B1 * 2/2001 Gallart et al. 426/91



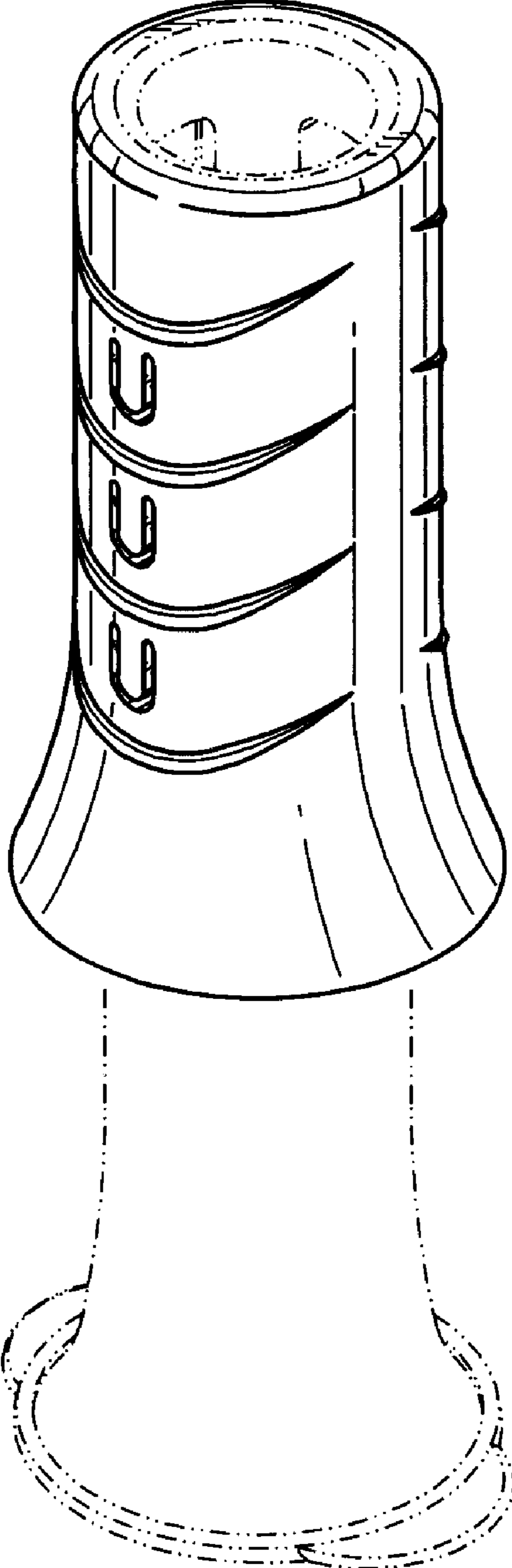


FIG. 1

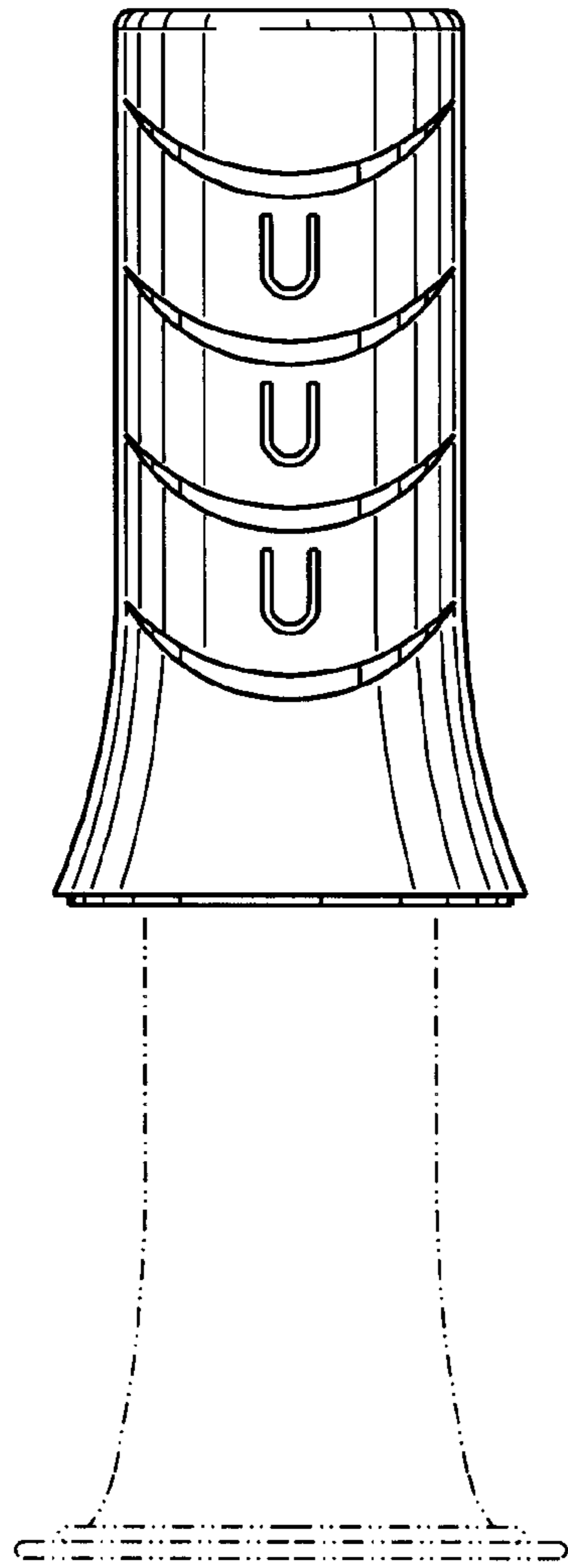


FIG. 2

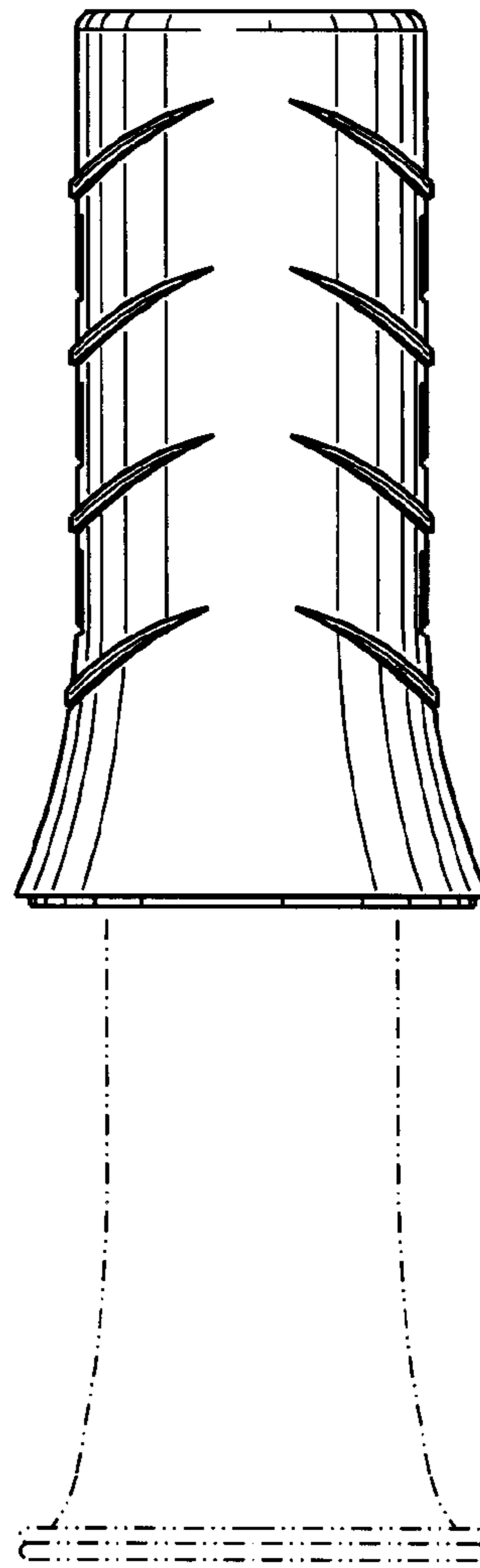


FIG. 3

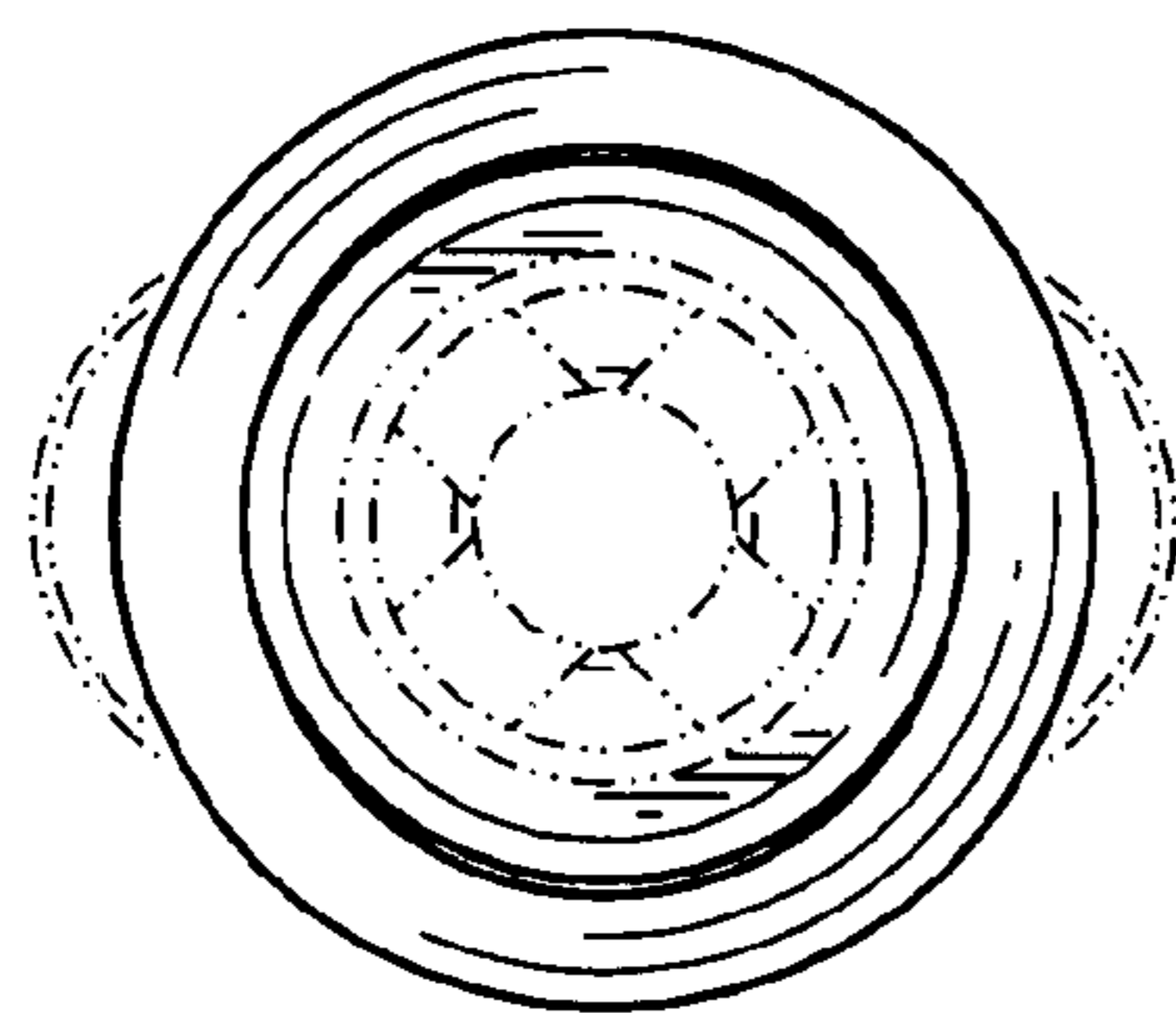


FIG. 4

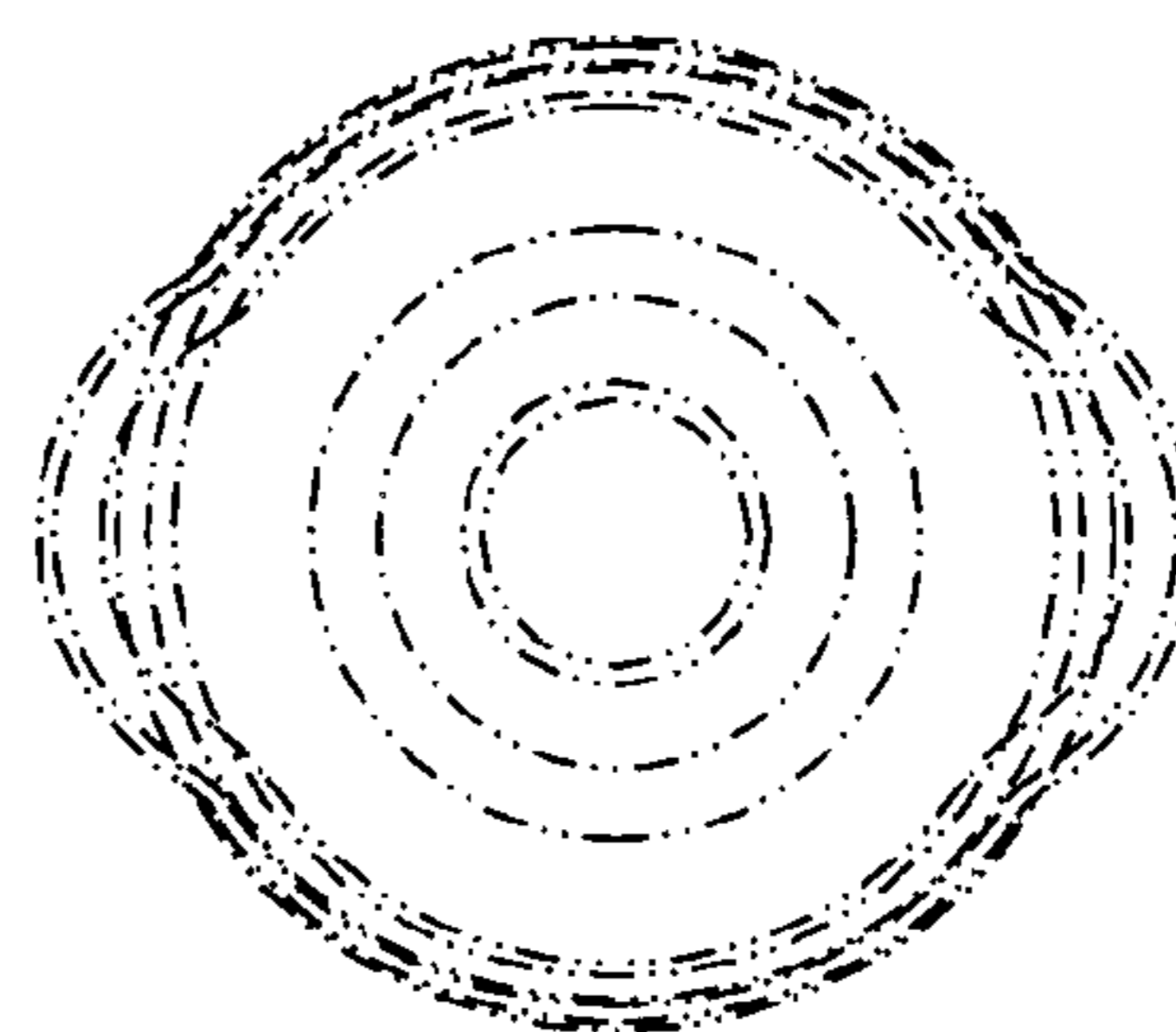


FIG. 5