



US00D537343S

(12) **United States Design Patent**
Cassettari et al.

(10) **Patent No.:** **US D537,343 S**

(45) **Date of Patent:** **** Feb. 27, 2007**

(54) **CUP HOLDER ADAPTER**

(75) Inventors: **Michael J. Cassettari**, Hampshire, IL
(US); **Herberto Dutra**, Schaumburg, IL
(US)

(73) Assignee: **Kraft Foods Holdings, Inc.**, Northfield,
IL (US)

(**) Term: **14 Years**

(21) Appl. No.: **29/225,844**

(22) Filed: **Mar. 22, 2005**

(51) **LOC (8) Cl.** **09-07**

(52) **U.S. Cl.** **D9/455**

(58) **Field of Classification Search** D9/455,
D9/434, 414, 433; D6/536, 532, 529; D3/901,
D3/315; 229/403; 220/737-739, 592.17

See application file for complete search history.

(56) **References Cited**

U.S. PATENT DOCUMENTS

1,009,463	A	*	11/1911	Bloomer	229/104
1,300,164	A	*	4/1919	Guardino	229/104
1,343,726	A	*	6/1920	Jakobson	229/104
1,545,771	A	*	7/1925	Hout	229/107
2,149,625	A	*	3/1939	Pabst	229/4.5
D229,485	S	*	12/1973	Peterson	D9/416
4,381,071	A		4/1983	Vergiels		
4,403,483	A	*	9/1983	Lisalda	62/457.1
5,052,649	A		10/1991	Hunnicutt		
5,088,673	A		2/1992	Chandler		
5,174,534	A		12/1992	Mitchell		
5,180,894	A	*	1/1993	Quick et al.	219/730
5,467,916	A		11/1995	Beales		
5,490,653	A		2/1996	Ingwersen		
5,518,168	A	*	5/1996	Mayer	229/102
5,601,268	A		2/1997	Dunchock		
5,676,340	A		10/1997	Ruhnau		
D417,616	S	*	12/1999	Conway	D9/433
6,109,580	A		8/2000	Stern et al.		

6,113,049	A	9/2000	Miljanich
6,170,740	B1	1/2001	Clark
D458,084	S	6/2002	Hudson
6,520,404	B1	2/2003	Waldburger et al.
2001/0032791	A1	10/2001	Hudson
2002/0023992	A1	2/2002	Veltri et al.
2002/0043603	A1	4/2002	Thomas
2002/0185578	A1	12/2002	Hudson
2003/0141424	A1	7/2003	Thomas

* cited by examiner

Primary Examiner—Robert M. Spear

Assistant Examiner—Susan Bennett Hattan

(74) *Attorney, Agent, or Firm*—Fitch, Even, Tabin & Flannery

(57) **CLAIM**

The ornamental design for a cup holder adapter, as shown and described.

DESCRIPTION

FIG. 1 is a perspective view of a cup holder adapter showing our new design;

FIG. 2 is a front view thereof;

FIG. 3 is a rear view thereof;

FIG. 4 is a right side view thereof;

FIG. 5 is left side view thereof;

FIG. 6 is a top plan view thereof;

FIG. 7 is a bottom plan view thereof;

FIG. 8 is a perspective view of a cup holder adapter showing another embodiment of our new design;

FIG. 9 is a front view thereof;

FIG. 10 is a rear view thereof;

FIG. 11 is a right side view thereof;

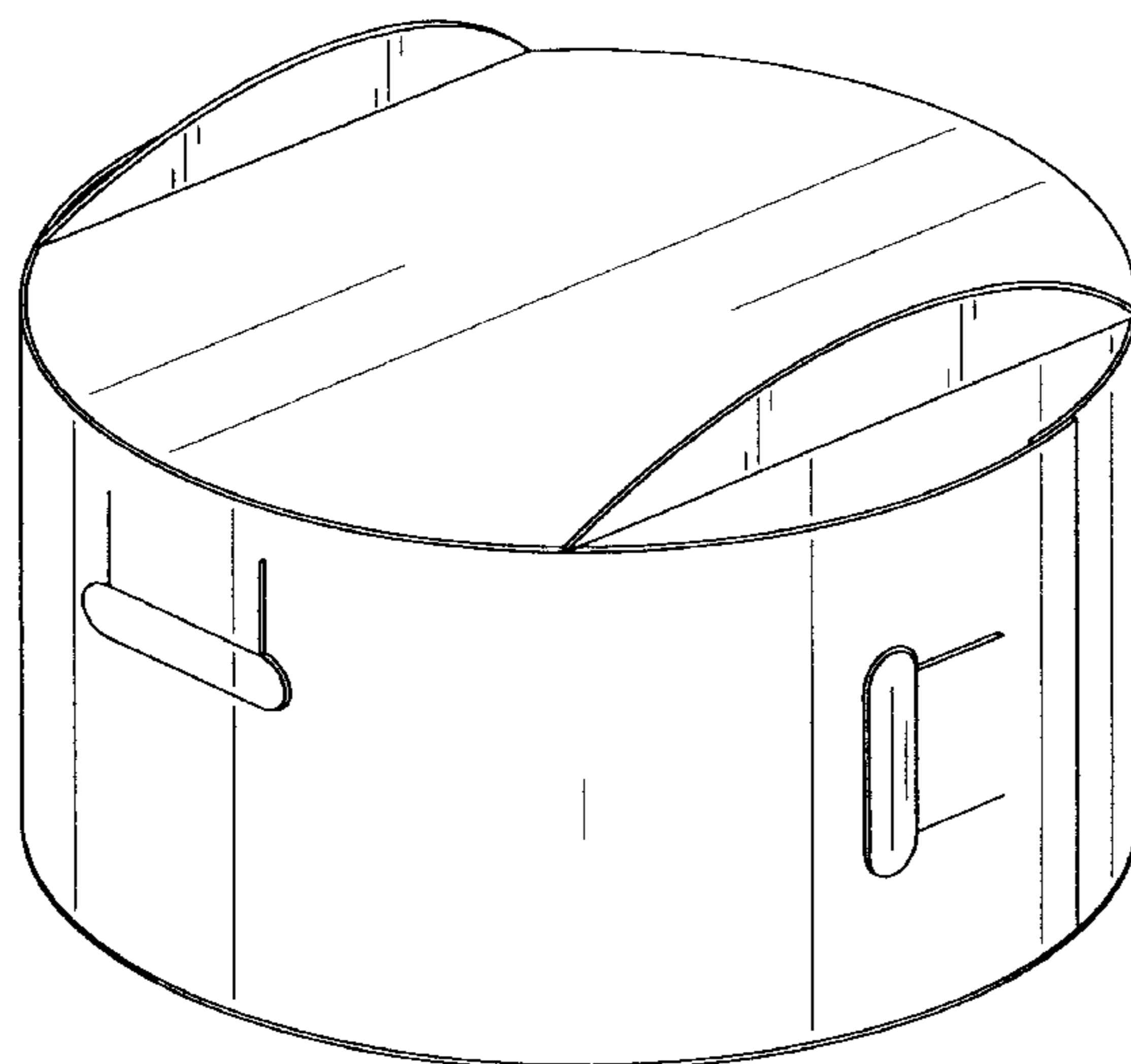
FIG. 12 is left side view thereof;

FIG. 13 is a top plan view thereof; and,

FIG. 14 is a bottom plan view thereof.

The solid lines at the tongue latching portions in FIGS. 1, 2, 4, 5, 8, 9, 11, and 12 represent break lines. The thickness of the cup holder adaptor is that of a conventional paperboard.

1 Claim, 14 Drawing Sheets



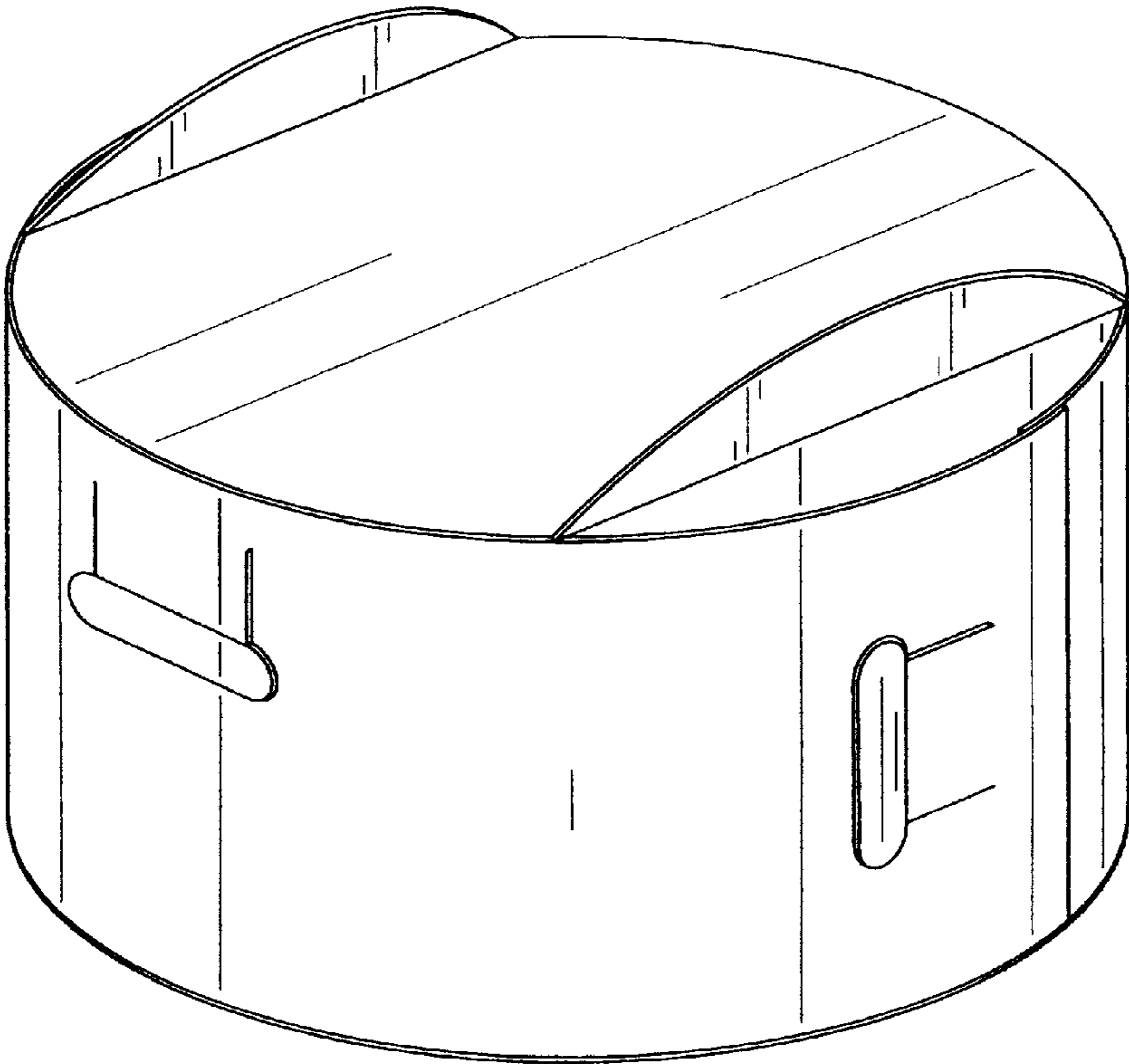


FIG. 1

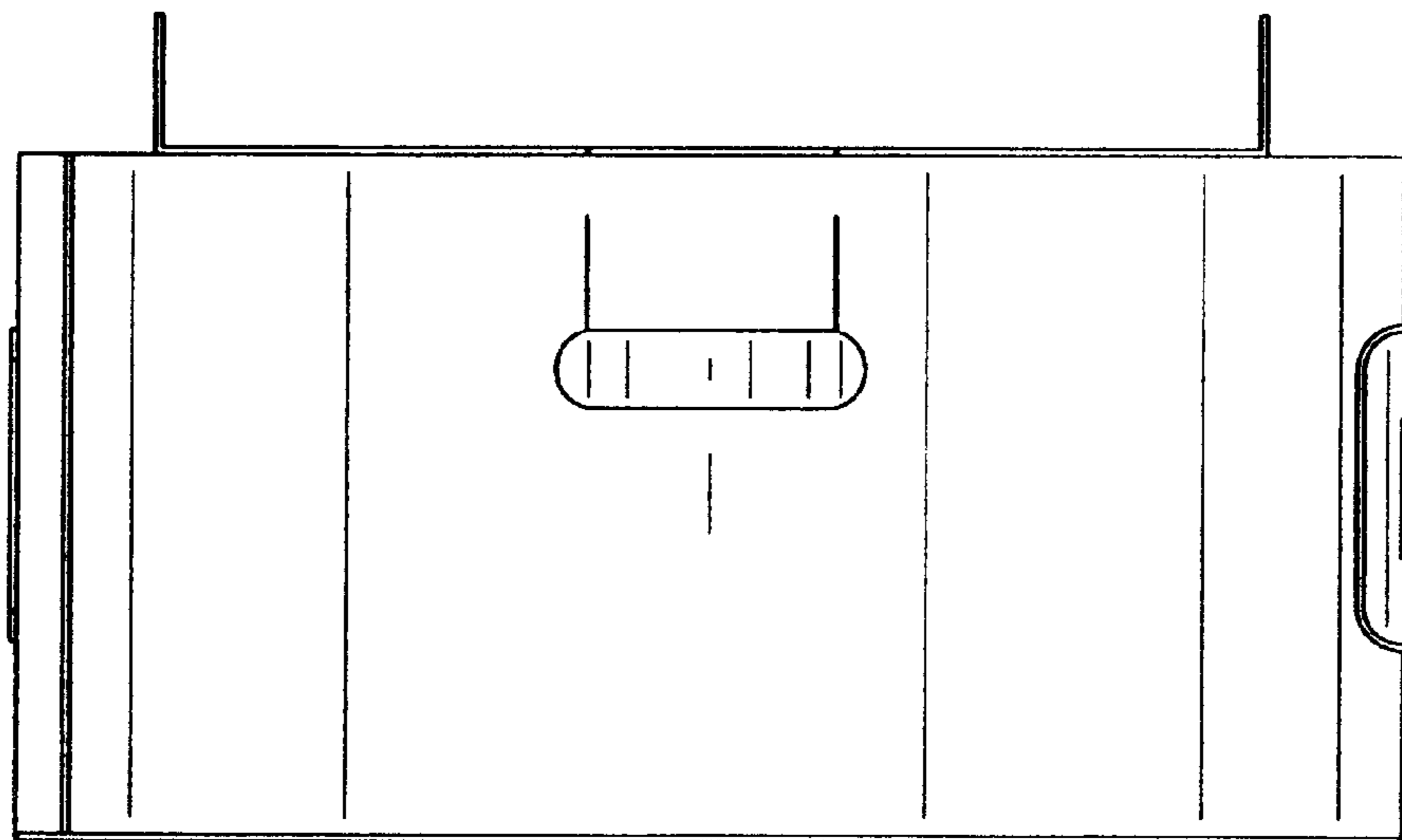


FIG. 2

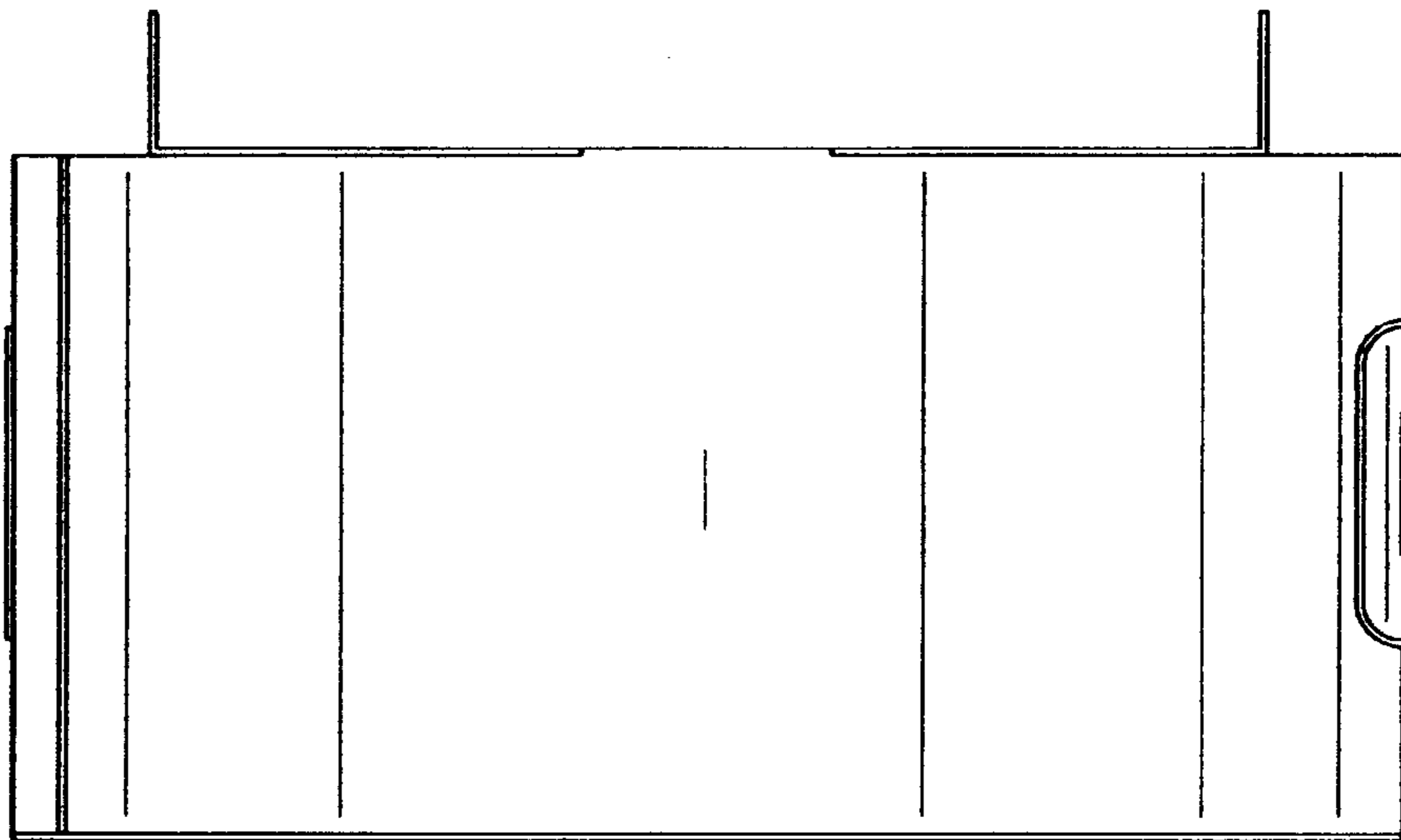


FIG. 3

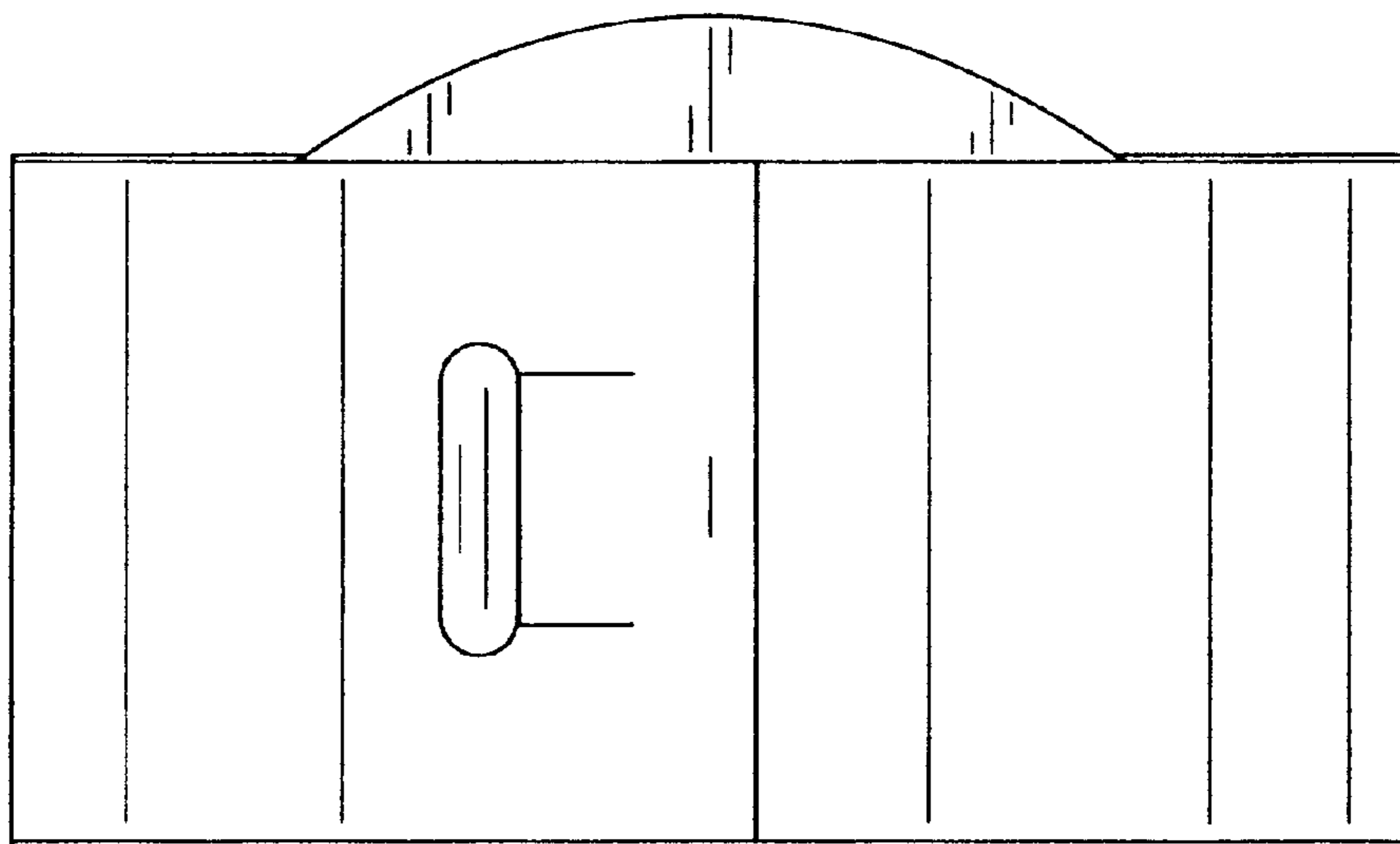


FIG. 4

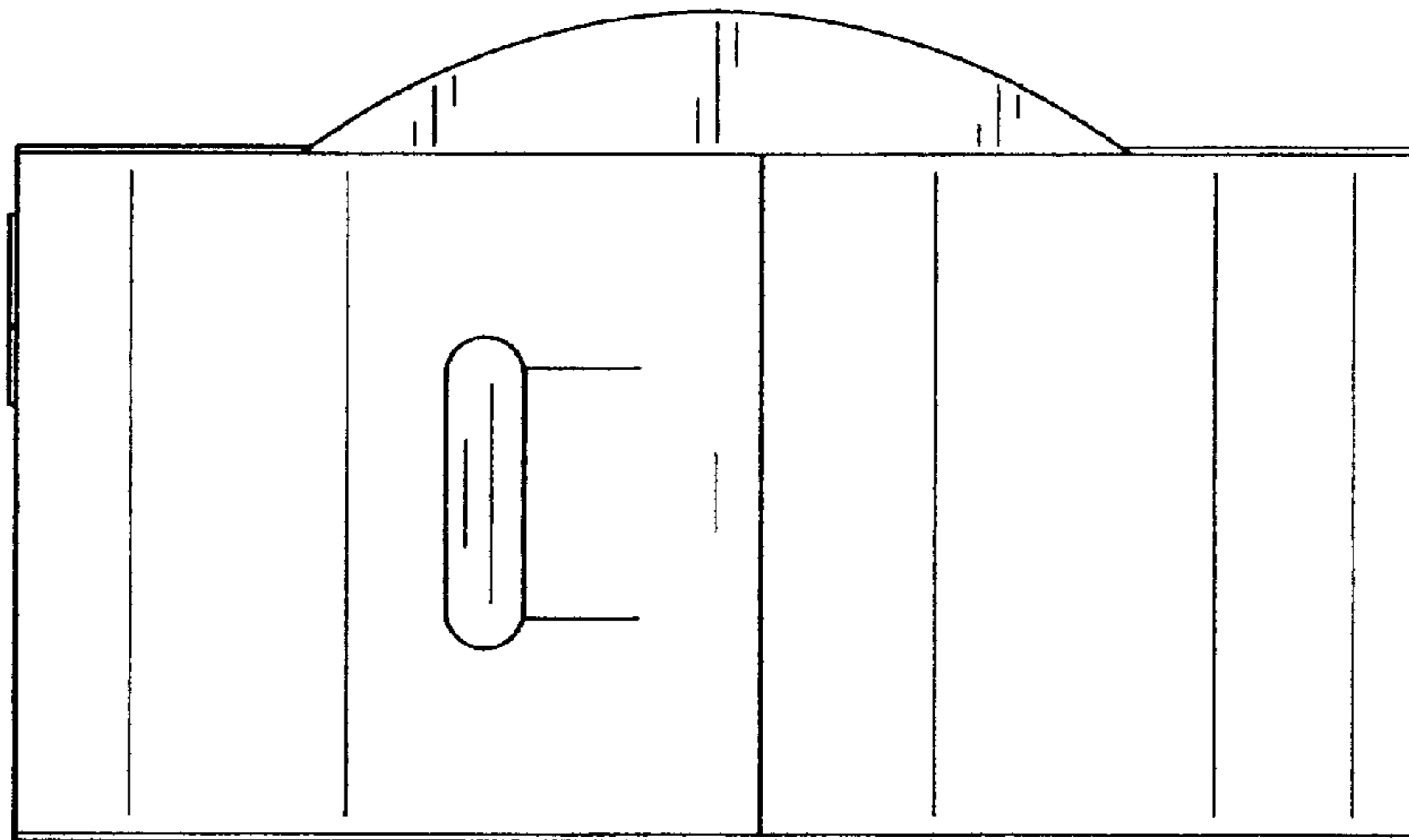


FIG. 5

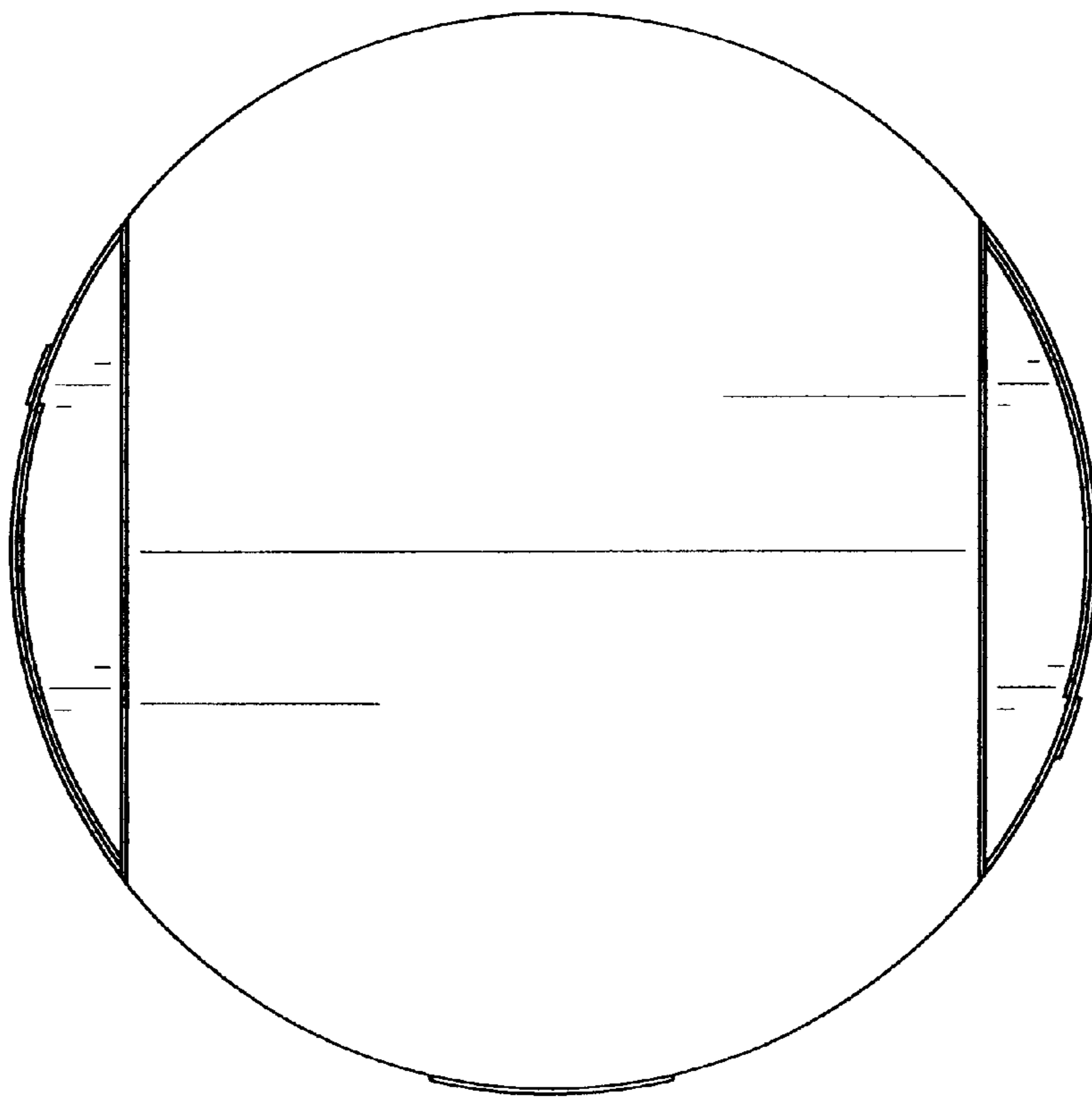


FIG. 6

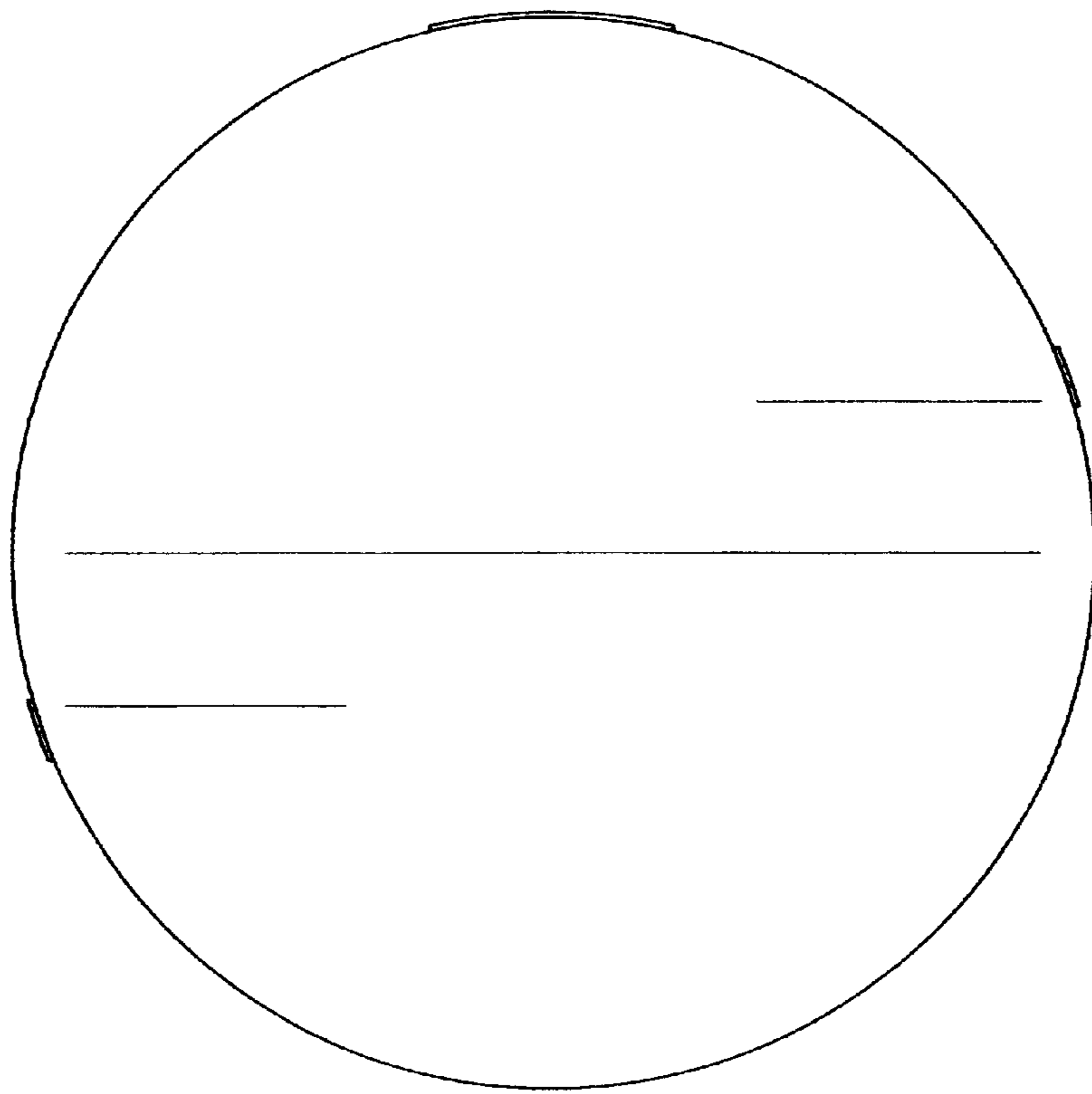


FIG. 7

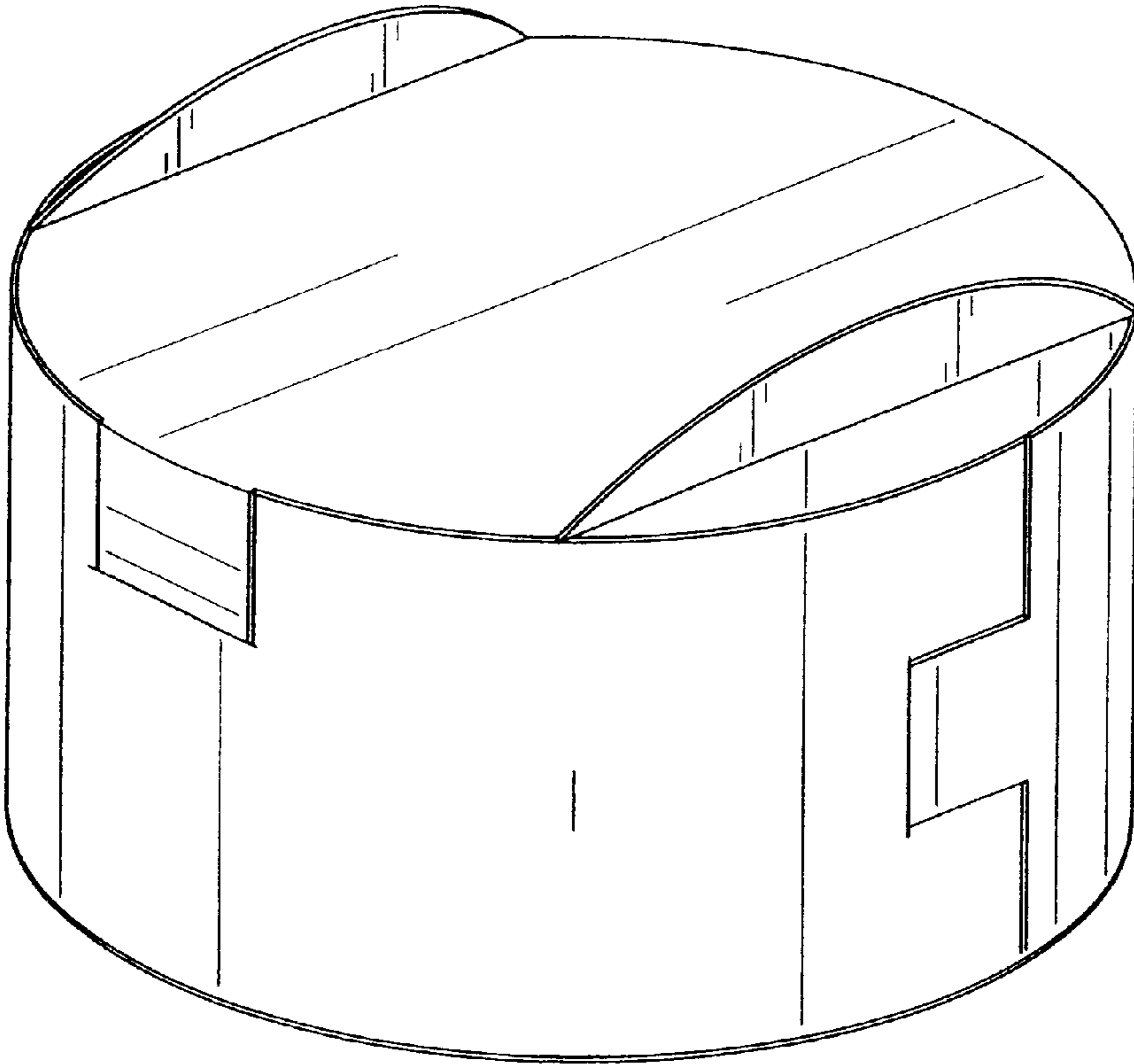


FIG. 8

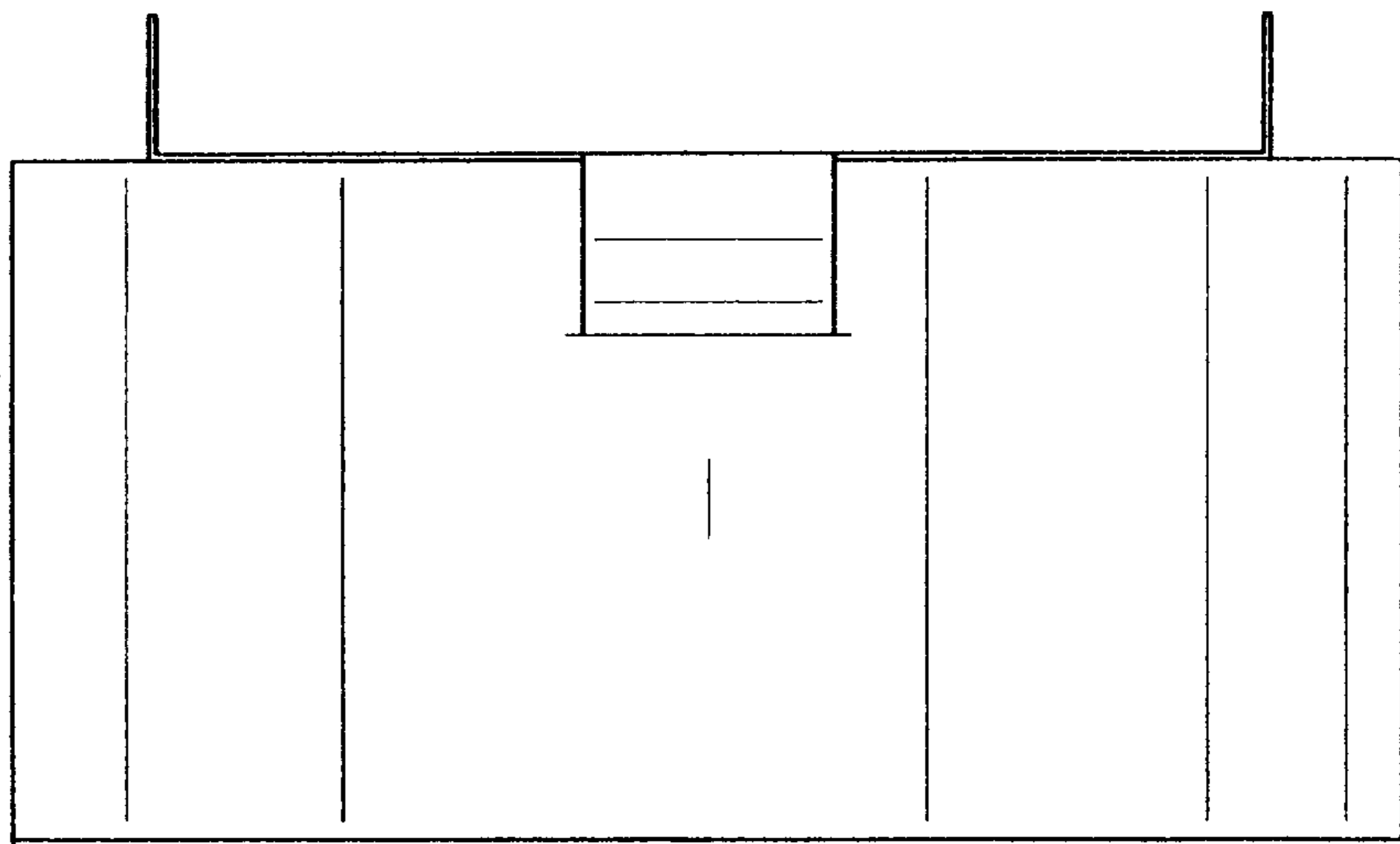


FIG. 9

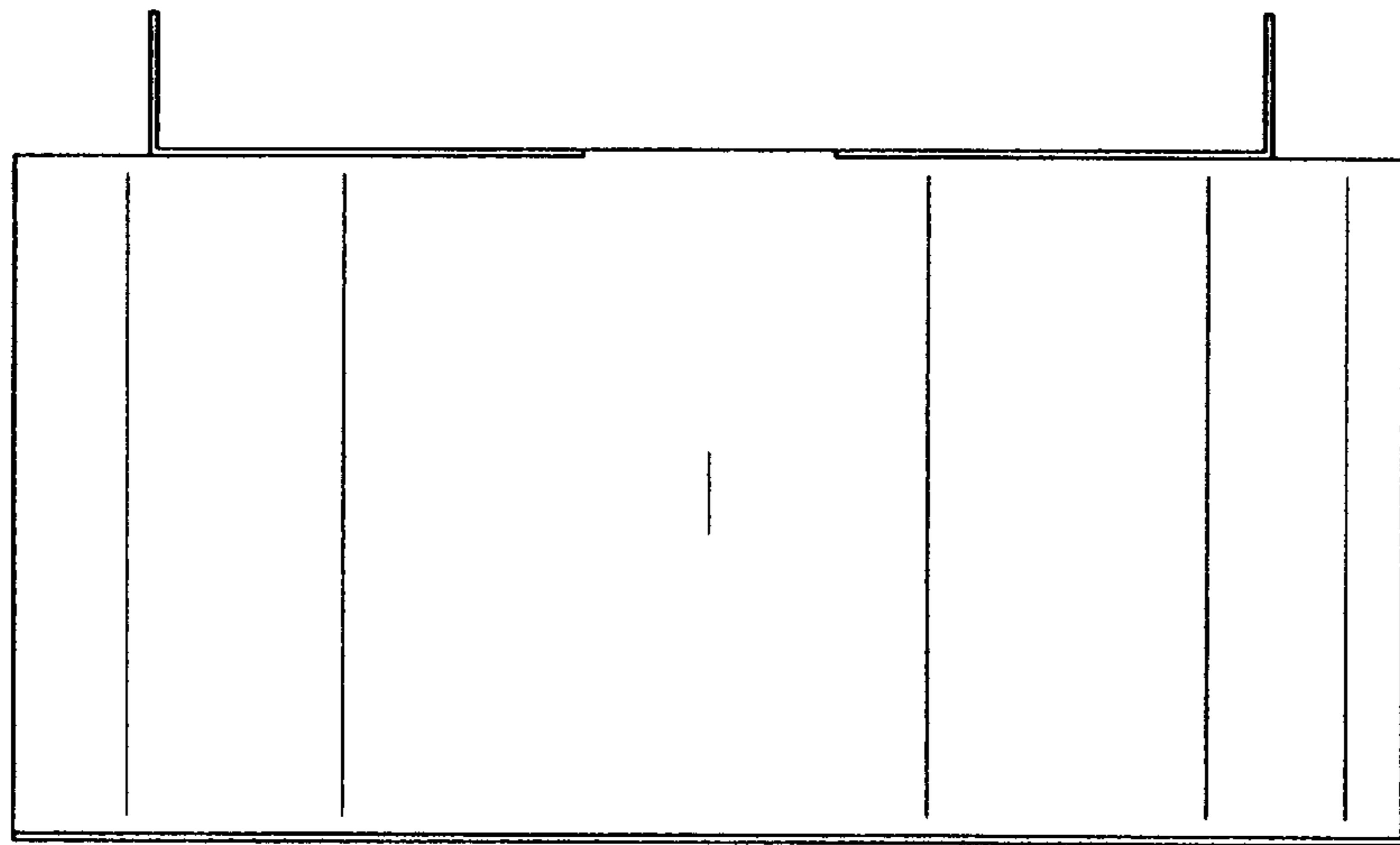


FIG. 10

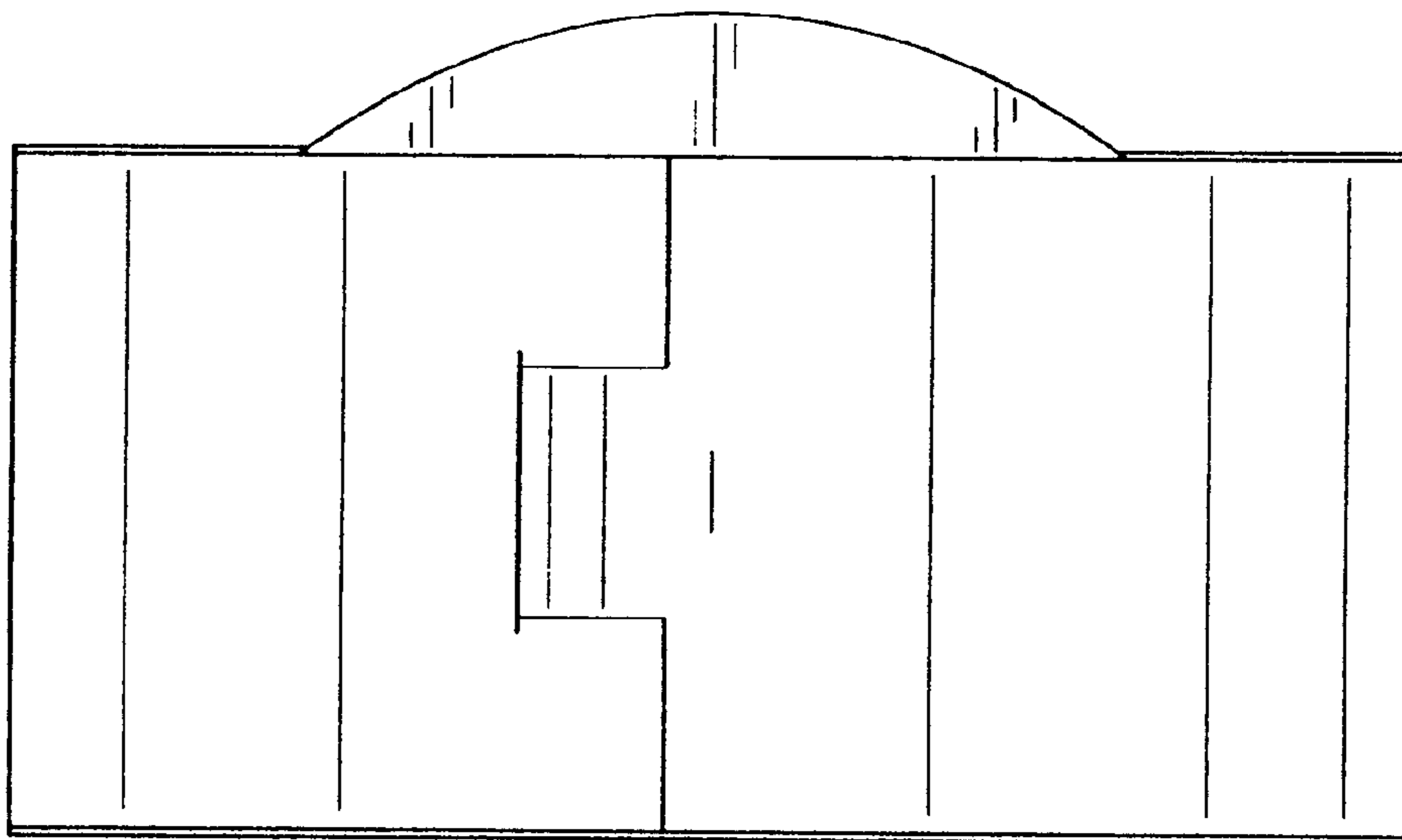


FIG. 11

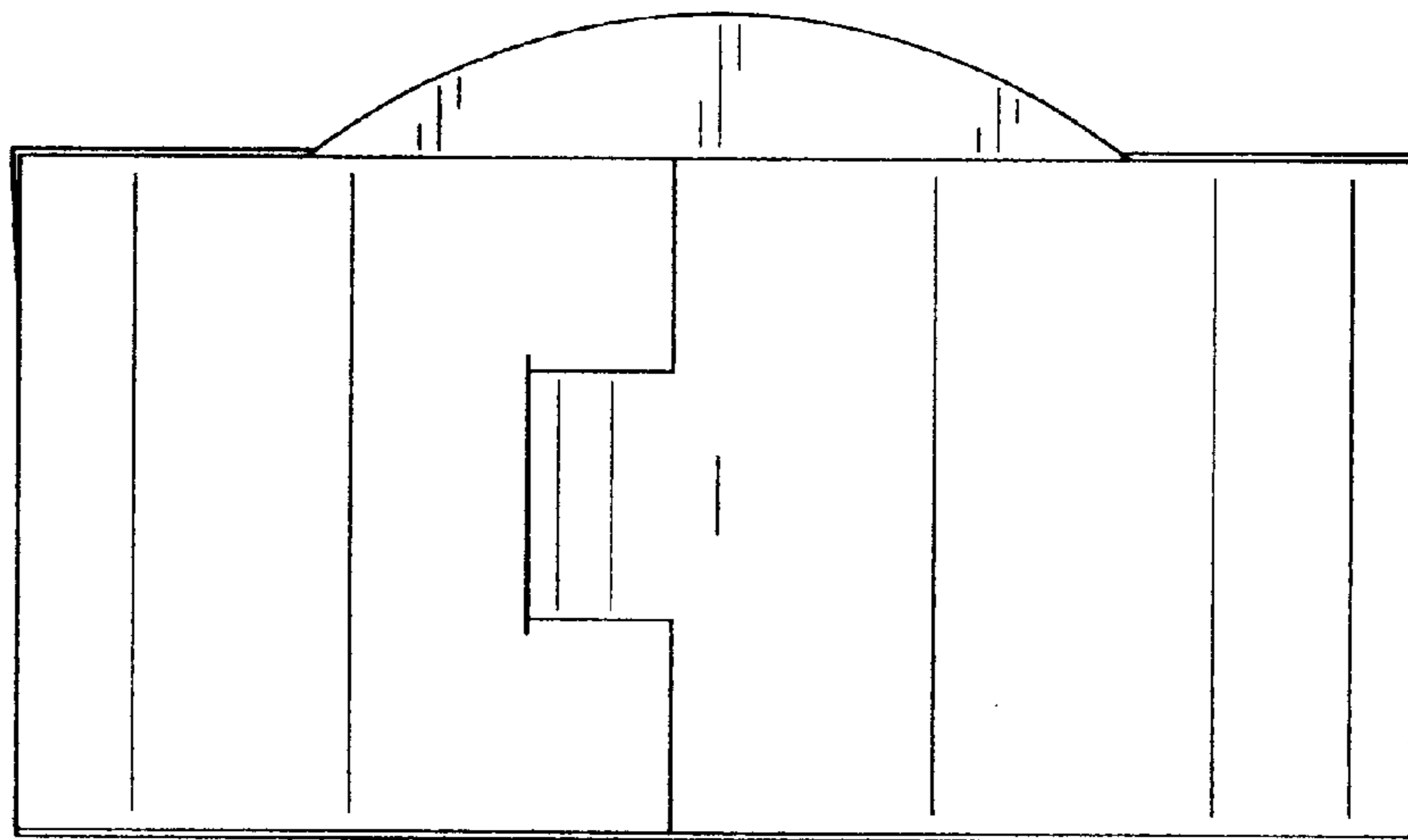


FIG. 12

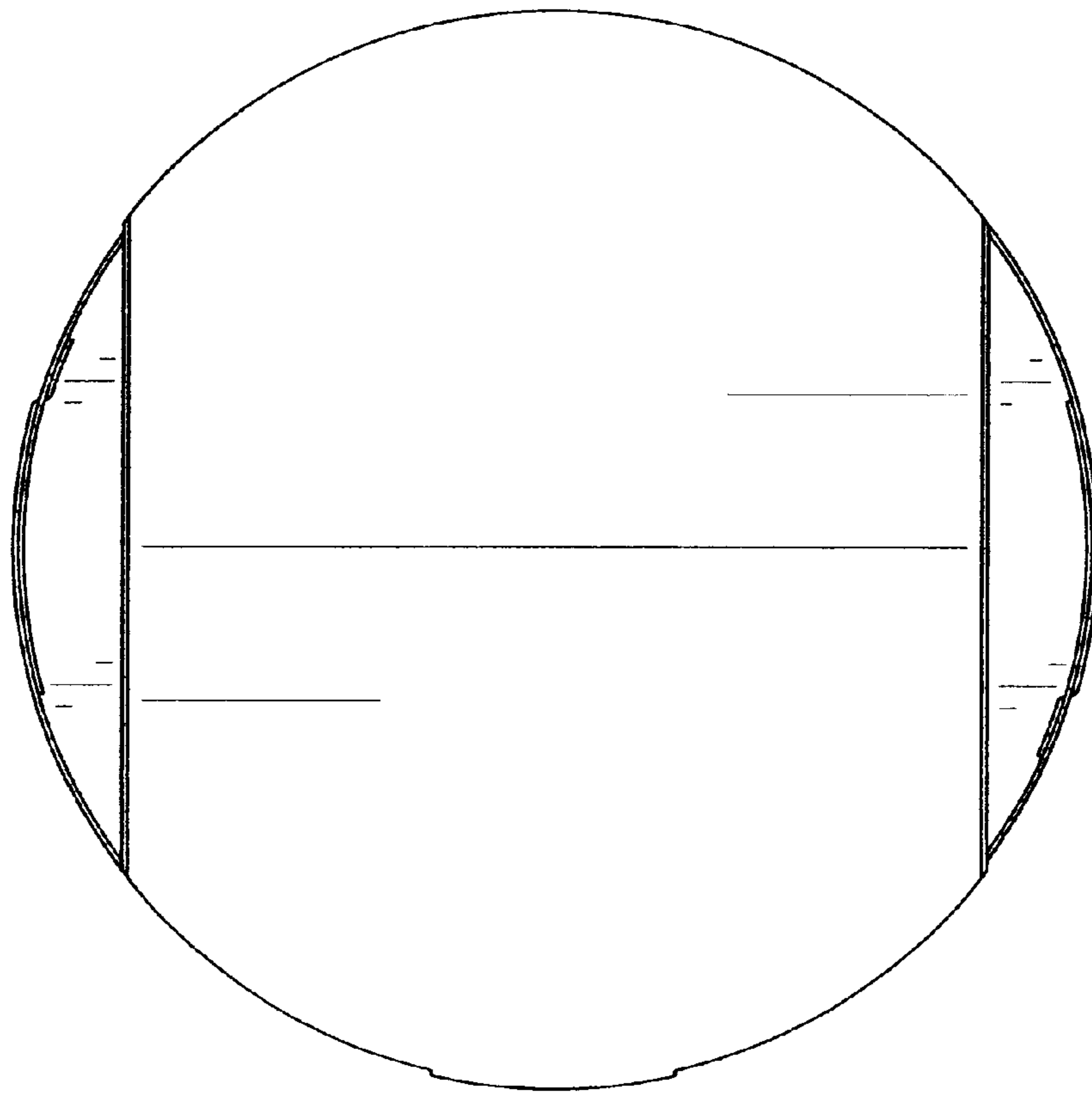


FIG. 13

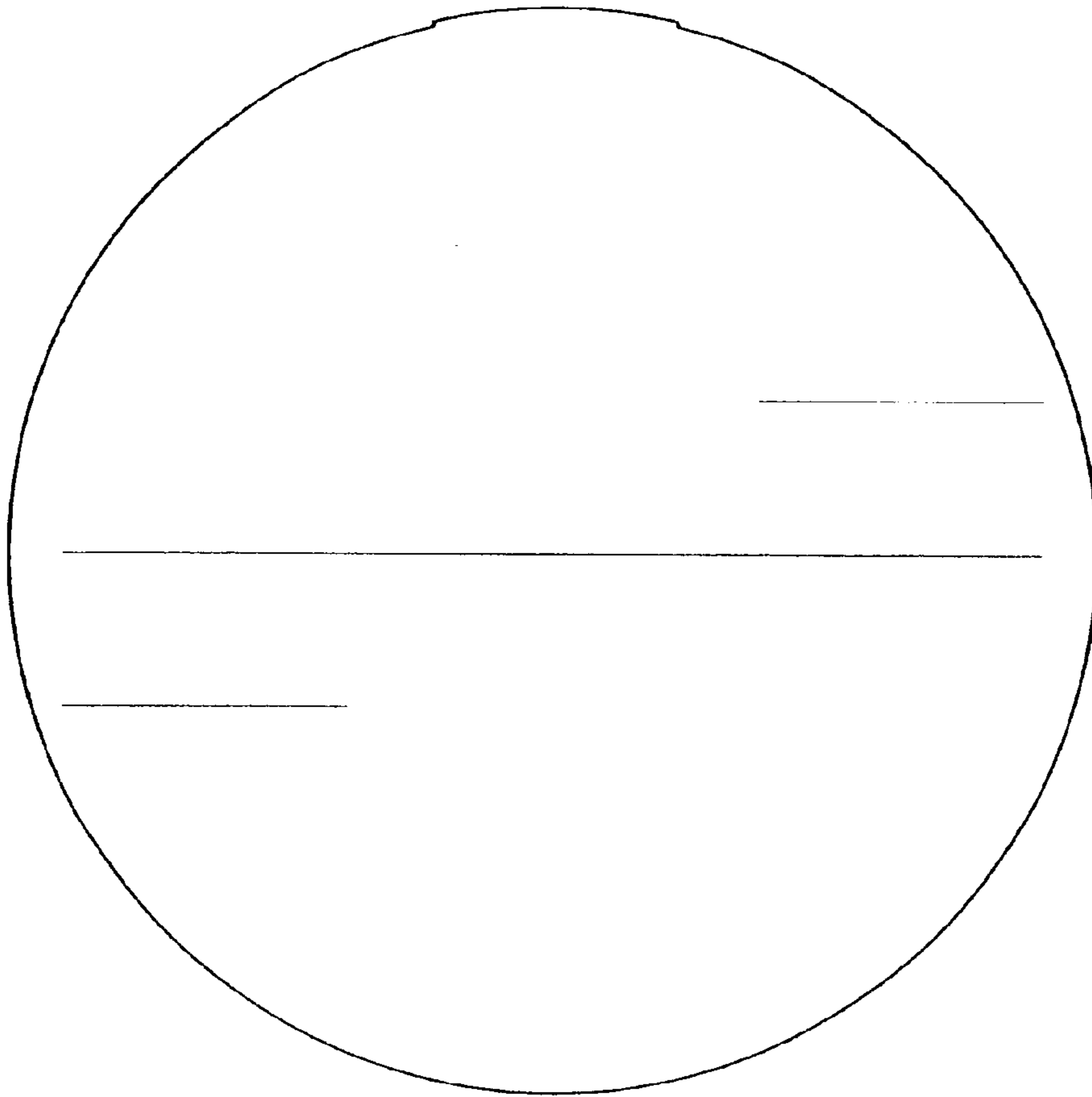


FIG. 14