



US00D537340S

(12) **United States Design Patent**
Bremner

(10) **Patent No.:** **US D537,340 S**

(45) **Date of Patent:** **** *Feb. 27, 2007**

(54) **SAFETY TAB**

(76) Inventor: **Robert J. Bremner**, 703 D Cranbrook Street North, Cranbrook, BC (CA), V1C 3S1

(*) Notice: This patent is subject to a terminal disclaimer.

(**) Term: **14 Years**

(21) Appl. No.: **29/213,960**

(22) Filed: **Sep. 27, 2004**

(51) **LOC (8) Cl.** **09-07**

(52) **U.S. Cl.** **D9/438**

(58) **Field of Classification Search** D9/607, D9/601, 518, 499, 454, 449, 447, 438; 220/273, 220/272, 271, 270, 269, 265, 260, 254.7, 220/254.3; 215/304

See application file for complete search history.

(56) **References Cited**

U.S. PATENT DOCUMENTS

4,537,326 A	8/1985	Morehead	
D308,943 S	7/1990	Garza	
D329,593 S	* 9/1992	Otsuka D9/554
D329,604 S	* 9/1992	Kuczer D9/449

D339,290 S	* 9/1993	Close D9/449
5,497,896 A	* 3/1996	Shand 220/269
5,555,993 A	9/1996	Borkowski	
5,845,801 A	12/1998	Heitl	
5,887,742 A	3/1999	Lewis	
5,975,327 A	11/1999	Funk	
6,000,566 A	* 12/1999	Kost 220/270
D487,699 S	* 3/2004	Myers et al. D9/447
2001/0032852 A1	10/2001	Naude	

* cited by examiner

Primary Examiner—Robert M. Spear

Assistant Examiner—Susan Bennett Hattan

(74) *Attorney, Agent, or Firm*—Lawrence J. Gibney, Jr.

(57) **CLAIM**

I claim the ornamental design for a safety tab, as shown and described.

DESCRIPTION

FIG. 1 is a top view of a safety tab showing my new design during normal operation.

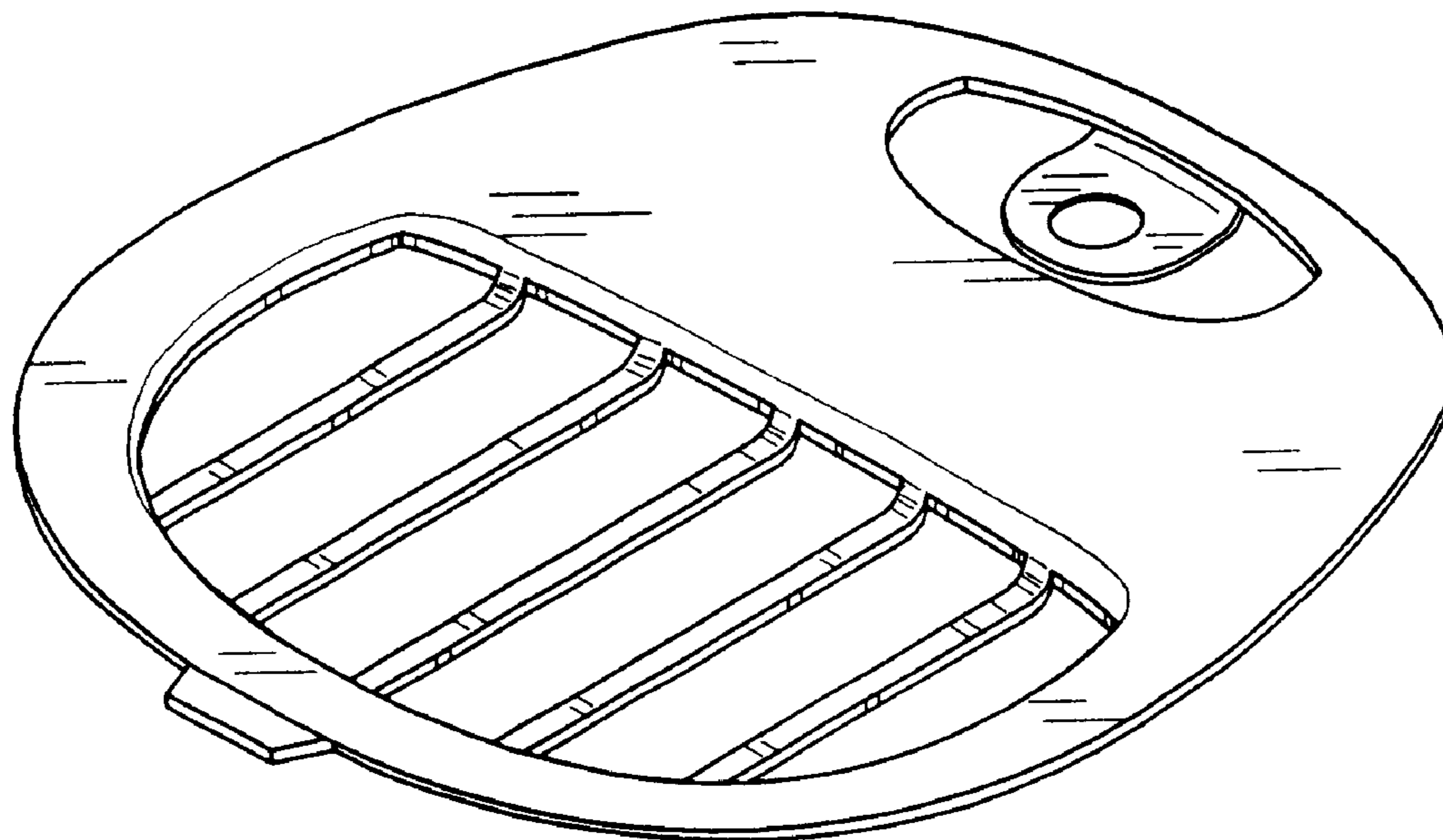
FIG. 2 is a top view of the device.

FIG. 3 is a side view of the device; and,

FIG. 4 is a perspective view of the device.

The broken lines in the drawings are for illustrative purposes only and form no part of the claimed design.

1 Claim, 2 Drawing Sheets



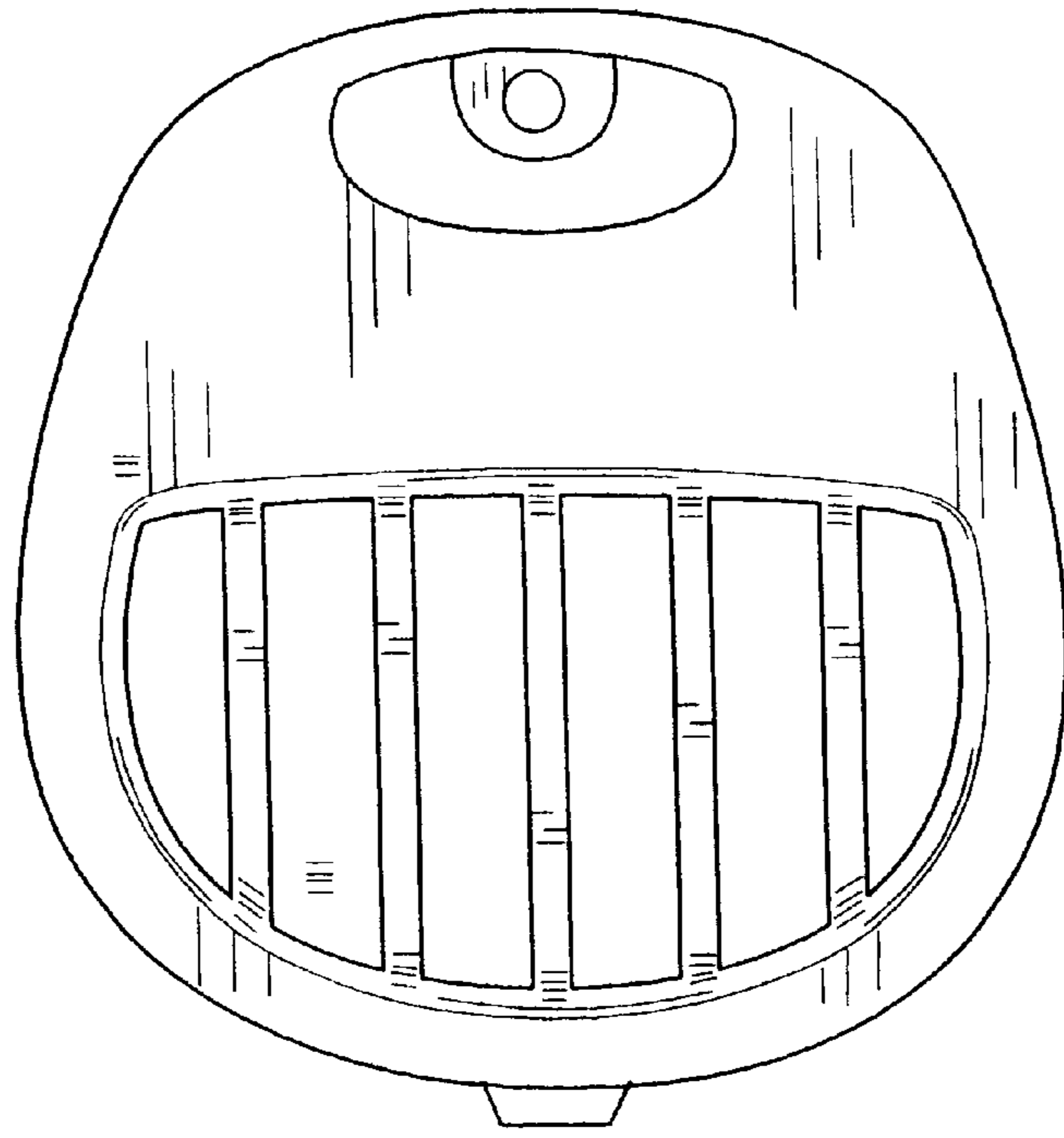


FIG. 2

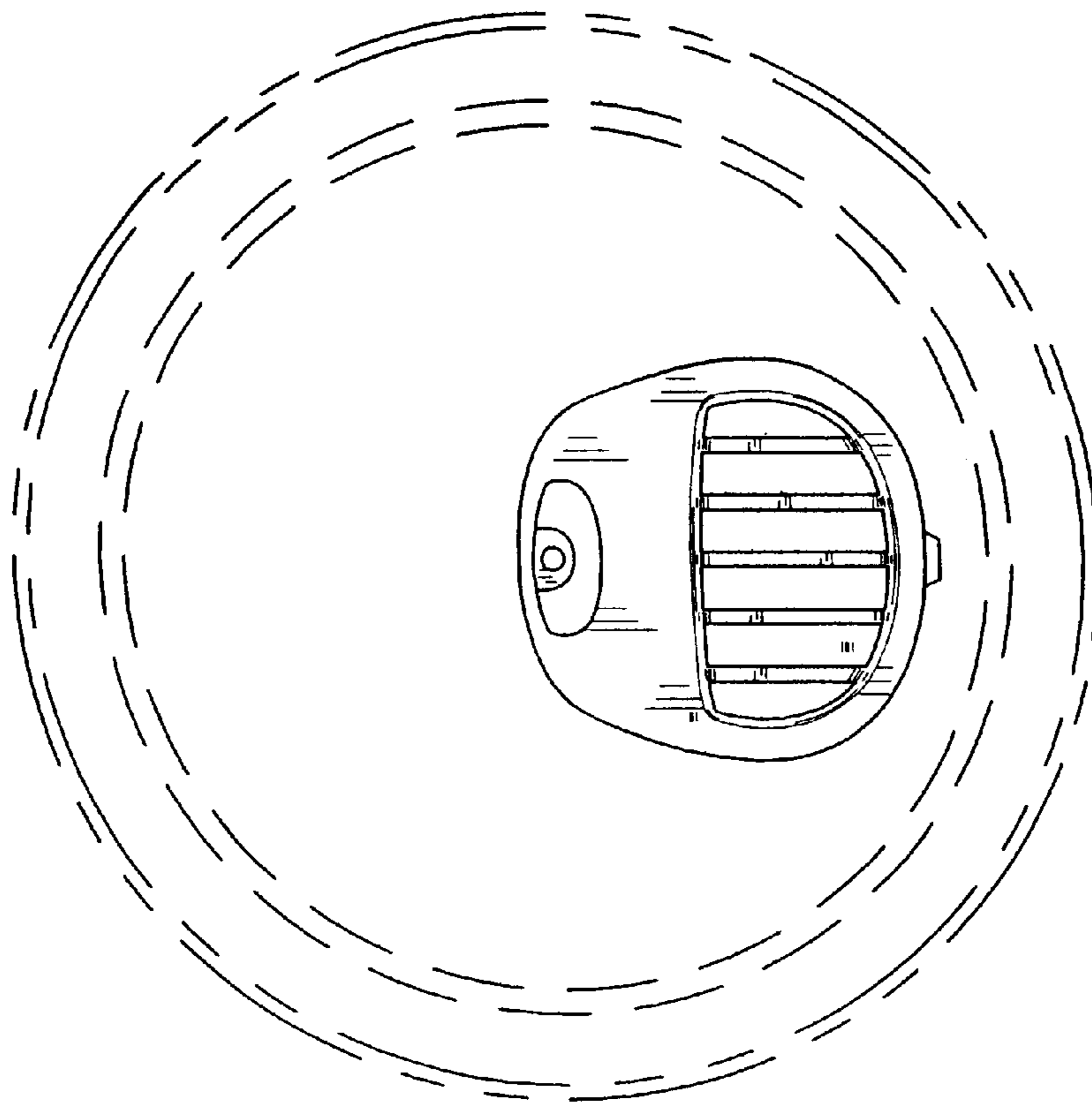


FIG. 1

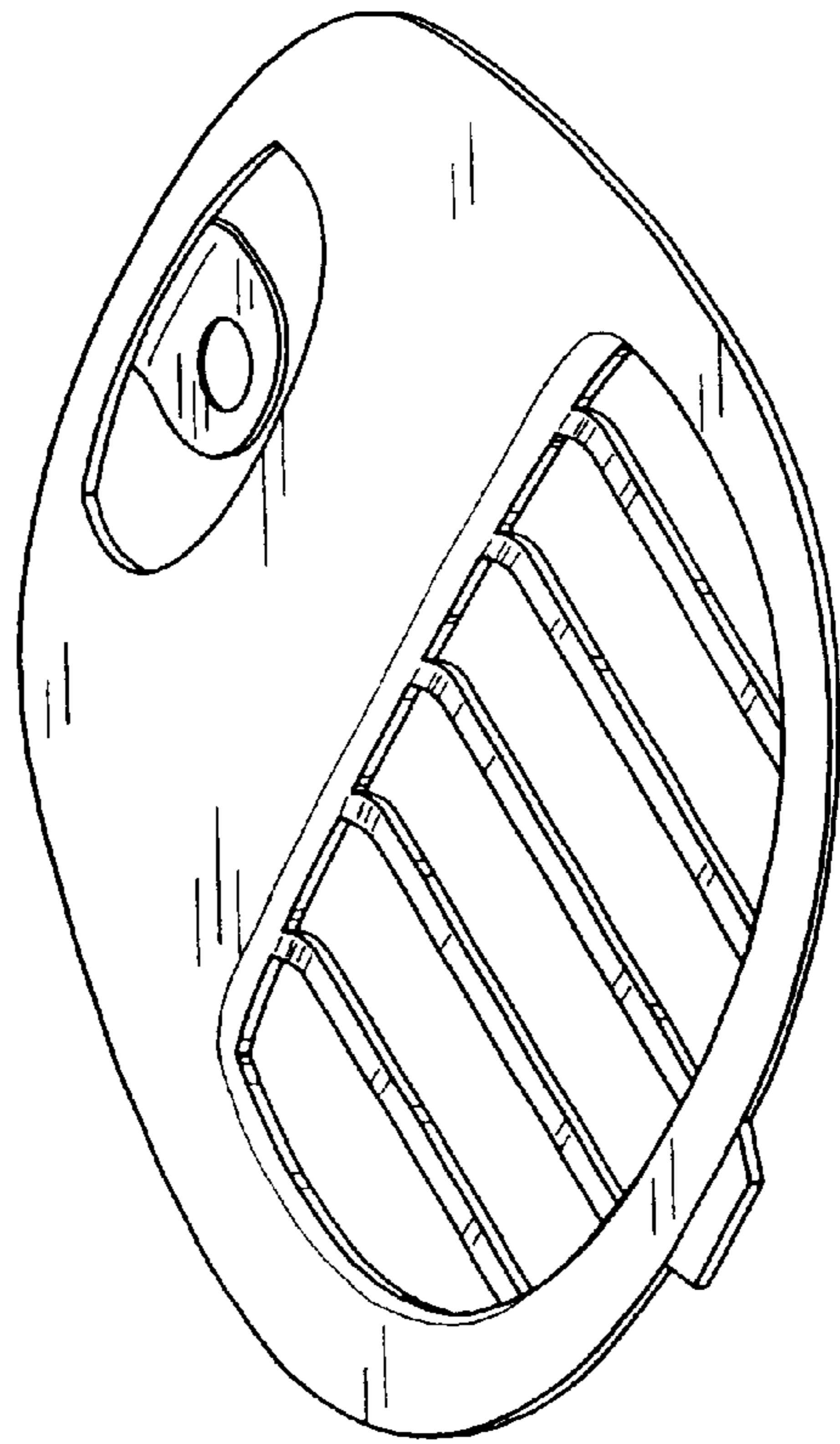


FIG. 4

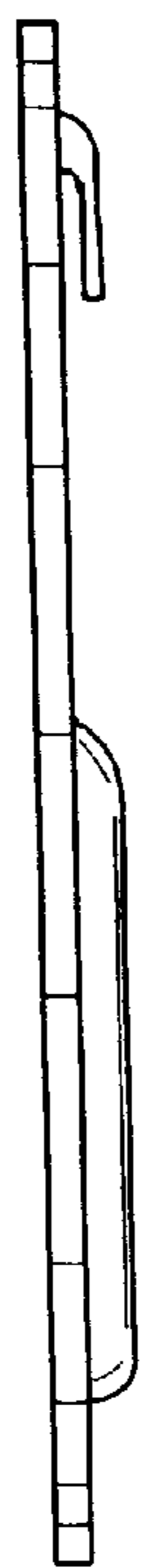


FIG. 3