



US00D537337S

(12) **United States Design Patent** (10) **Patent No.:** **US D537,337 S**
Brockington et al. (45) **Date of Patent:** **** Feb. 27, 2007**

(54) **CORNER GUARD FOR A RV SLIDE OUT**

(75) Inventors: **William T. Brockington**, Kernersville, NC (US); **Anthony D. Moore**, Summerfield, NC (US); **Judith A. Gibbs**, High Point, NC (US)

(73) Assignee: **Camco Manufacturing, Inc.**, Greensboro, NC (US)

(**) Term: **14 Years**

(21) Appl. No.: **29/257,618**

(22) Filed: **Apr. 6, 2006**

(51) **LOC (8) Cl.** **08-99**

(52) **U.S. Cl.** **D8/499**

(58) **Field of Classification Search** D8/400,
D8/402, 403; D25/58, 121, 136, 164, 199;
D6/491, 492, 495; 248/345.1; 52/273, 275,
52/287.1

See application file for complete search history.

(56) **References Cited**

U.S. PATENT DOCUMENTS

3,041,775	A	7/1962	Brown, Jr. et al.	
3,049,260	A *	8/1962	Stone	217/53
3,606,229	A *	9/1971	Wall	248/345
3,725,188	A	4/1973	Kalt	
D246,625	S	12/1977	Becker	
4,072,231	A	2/1978	Helms	
D260,590	S	9/1981	Hobson	
4,817,902	A	4/1989	Mason	
5,639,072	A	6/1997	McCall	
D412,436	S *	8/1999	Tsui	D8/403
D462,259	S *	9/2002	Williams	D8/403

OTHER PUBLICATIONS

Ref. No. 1, Cushiony Corner Guard (Style# 0071), Prince Lionheart Website(www.princelionheart.com), Feb. 8, 2006.
Ref. No. 2, Jumbo Corner Guard (Style# 0097), Prince Lionheart Website (www.princelionheart.com), Feb. 8, 2006.

Ref. No. 3, Baby Safety Corner Guard, Tradekey Website (www.tradekey.com)—click on sell offers, Jan. 3, 2006.

Ref. No. 4, RV Slide-out Edge Guard Safety Bumper, (Product Code 41-1065-1), RV RITE Website (www.rvrite.com), Feb. 8, 2006.

Ref. No. 5, Foam Edge Corner Cushion, Summer Infant Website (www.summerinfant.com), pictures of package front & rear, Jun. 18, 2005.

* cited by examiner

Primary Examiner—Alan P. Douglas
Assistant Examiner—Barbara Fox

(57) **CLAIM**

The ornamental design for an corner guard for a RV slide out, as shown and described.

DESCRIPTION

FIG. 1 is a top, left front perspective view of a corner guard for a RV slide out according to the invention;

FIG. 2 is a bottom, left front perspective view according to the invention;

FIG. 3 is a front elevational view according to the invention, the left side being a mirror image;

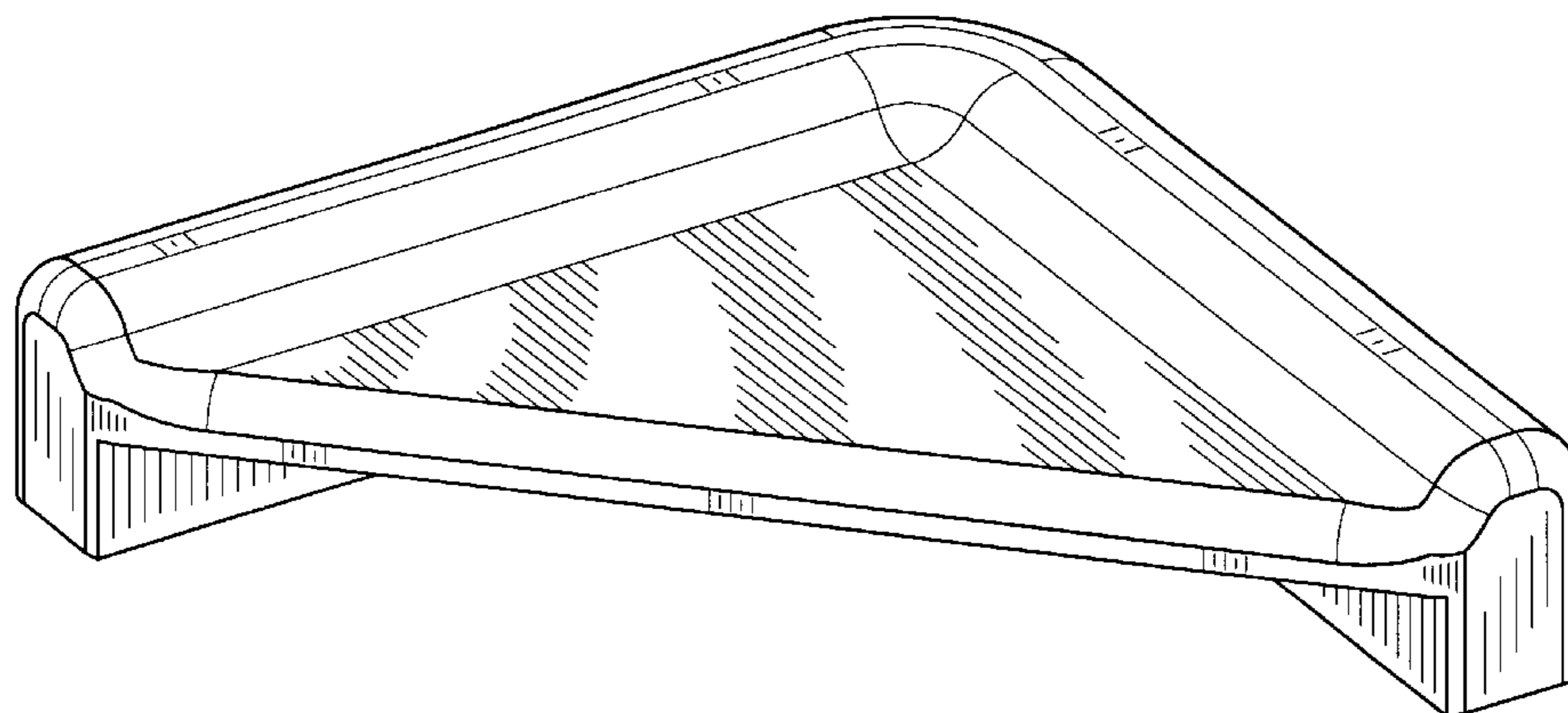
FIG. 4 is a top plan view according to the invention;

FIG. 5 is a rear elevational view according to the invention, the right side being a mirror image;

FIG. 6 is a bottom plan view according to the invention; and,

FIG. 7 is a bottom, right rear perspective view according to the invention.

1 Claim, 4 Drawing Sheets



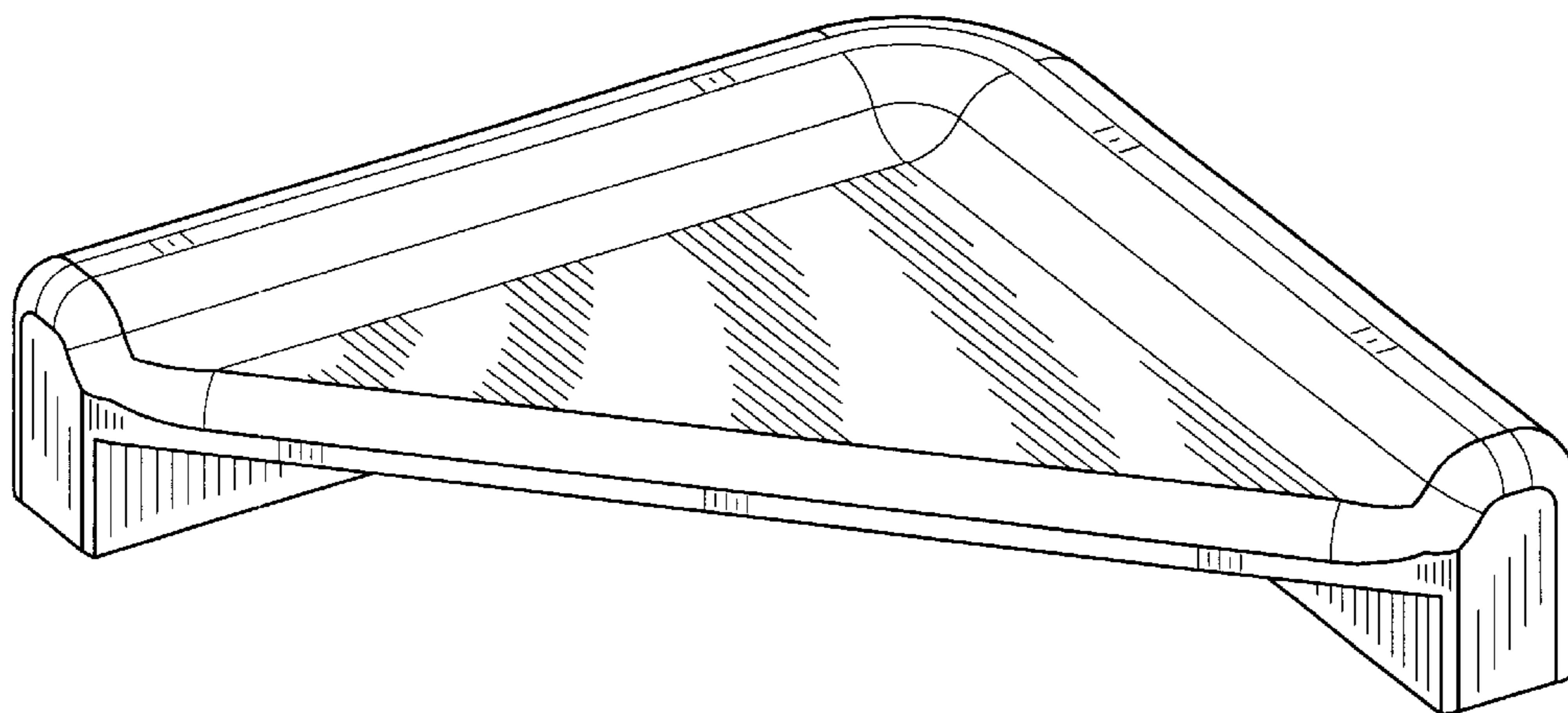


FIG. 1

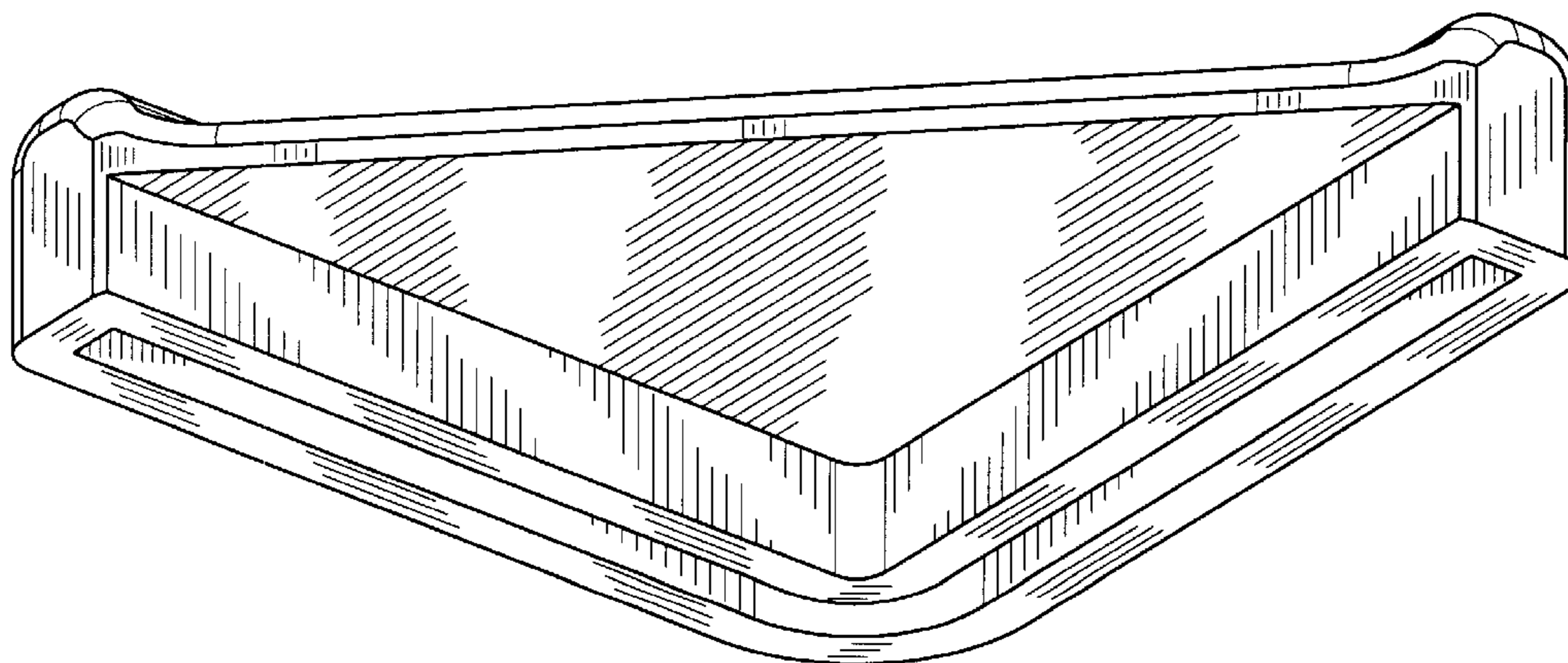


FIG. 2

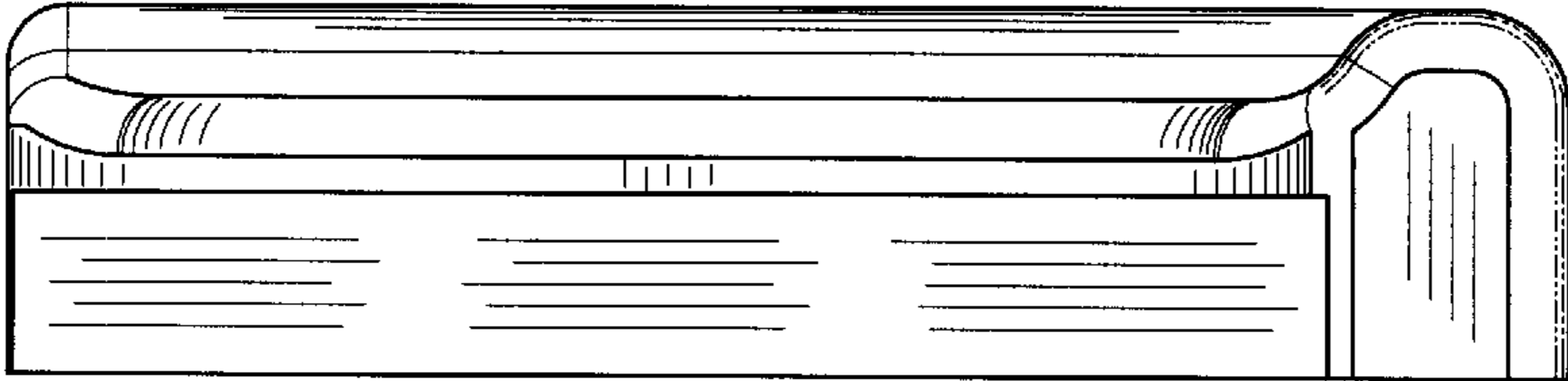


FIG. 3

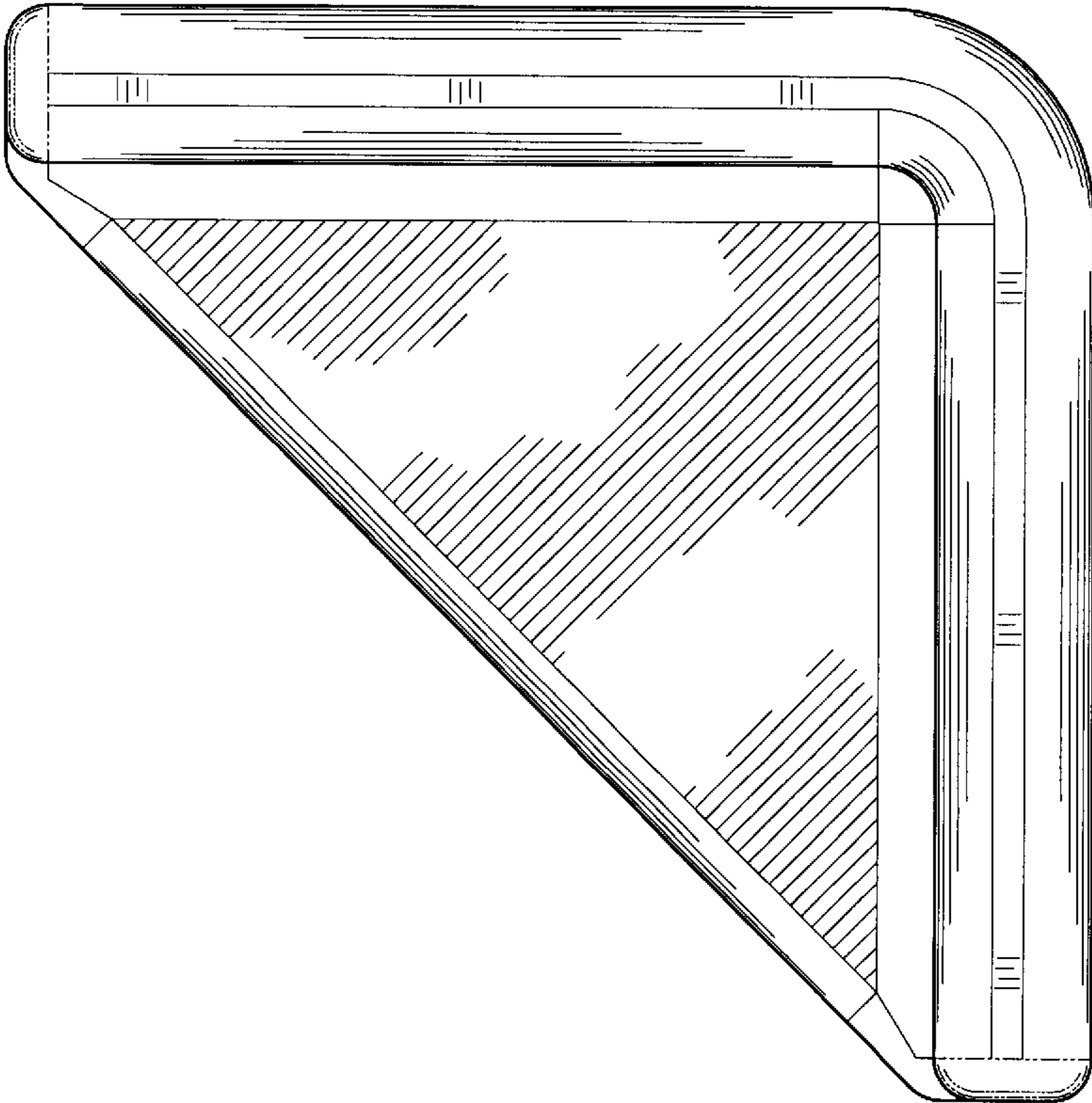


FIG. 4

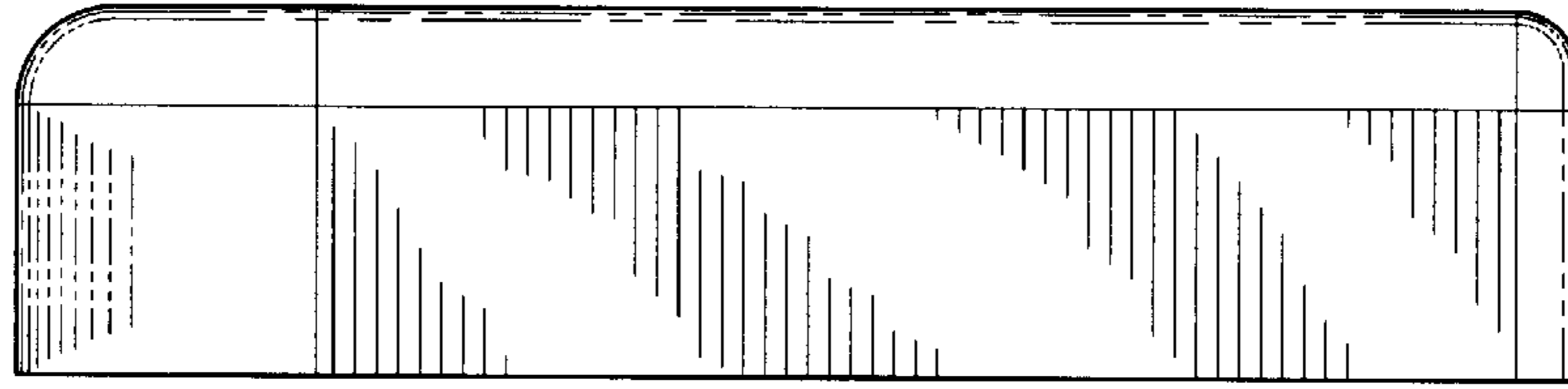


FIG. 5

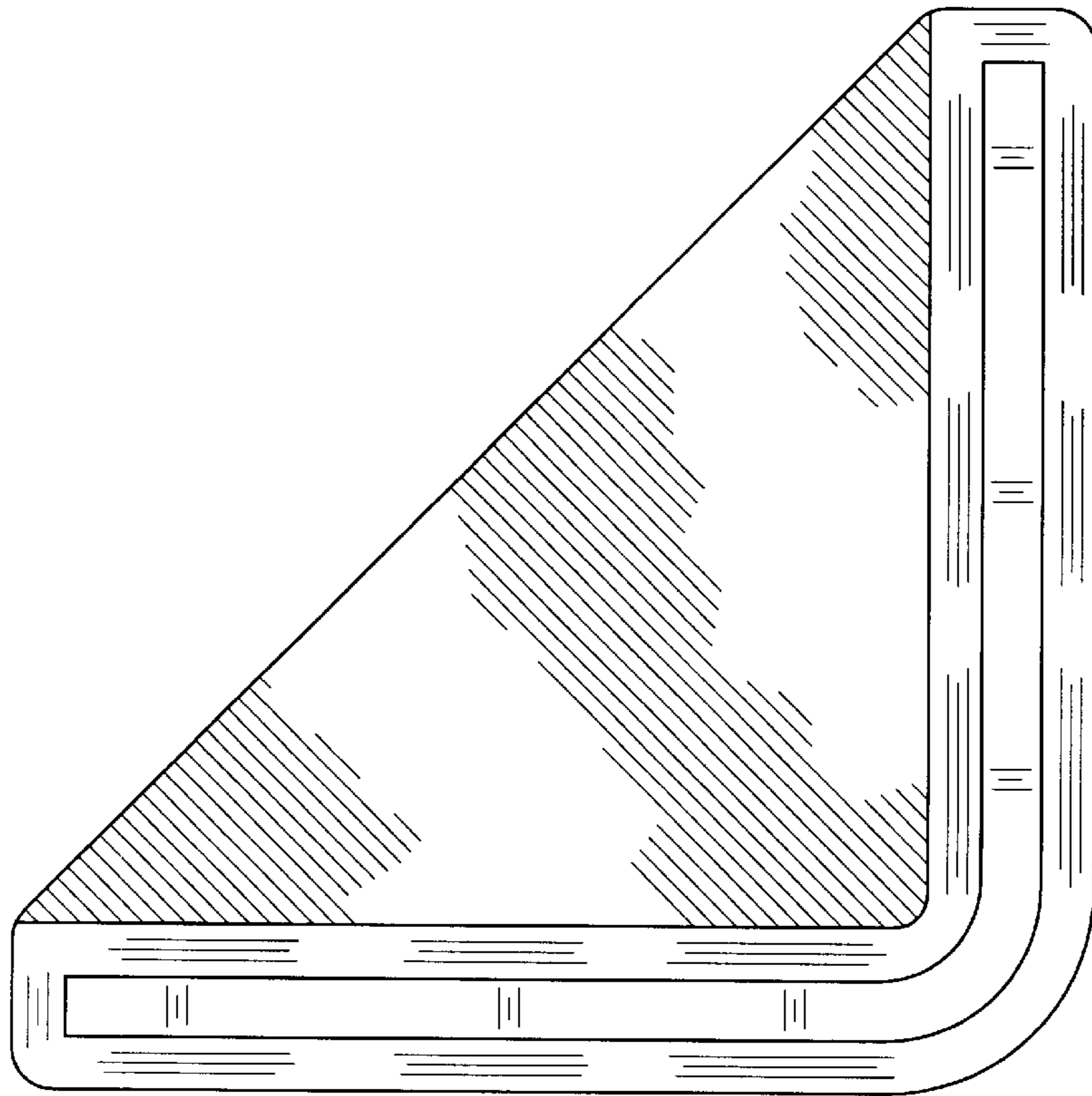


FIG. 6

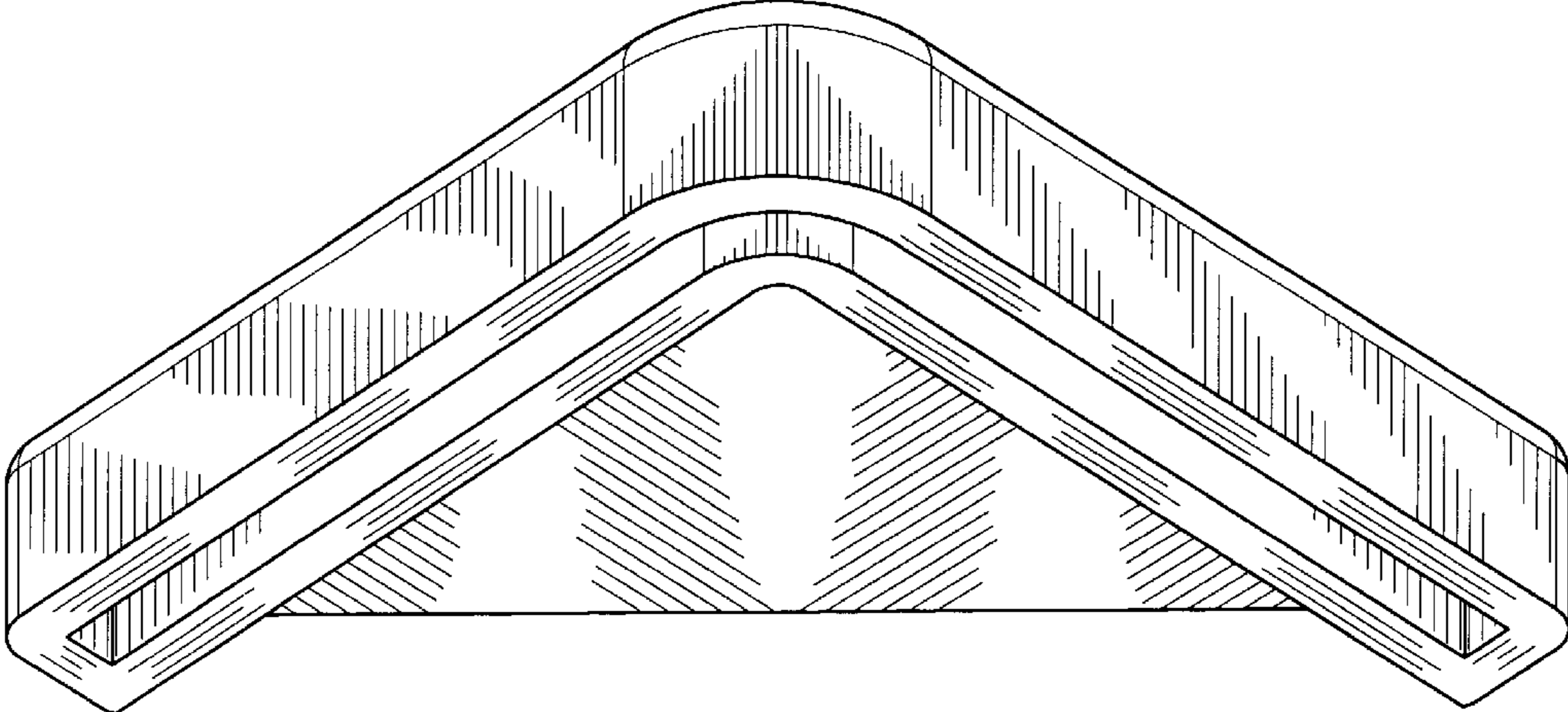


FIG. 7