



US00D537334S

(12) **United States Design Patent**
Lee

(10) **Patent No.:** **US D537,334 S**
(45) **Date of Patent:** **** Feb. 27, 2007**

(54) **TORCH CONNECTOR**

(75) Inventor: **Peter Lee**, Hong Kong (HK)

(73) Assignee: **Hip Shing Fat Co. Ltd.**, Kowloon (HK)

(**) Term: **14 Years**

(21) Appl. No.: **29/241,935**

(22) Filed: **Nov. 2, 2005**

(30) **Foreign Application Priority Data**

Aug. 5, 2005 (GB) 3022113

(51) **LOC (8) Cl.** **08-08**

(52) **U.S. Cl.** **D8/396**

(58) **Field of Classification Search** D8/354-356,
D8/371, 394-396, 382; 24/16 R, 279; 248/49,
248/62, 74.1-74.4, 73

See application file for complete search history.

(56) **References Cited**

U.S. PATENT DOCUMENTS

D188,377 S * 7/1960 Martin D13/152
D271,467 S * 11/1983 Sakaguchi D8/382
D331,189 S * 11/1992 Daigle et al. D8/396

D344,672 S * 3/1994 Current D8/373
D414,399 S * 9/1999 Nakamura D8/356
D428,326 S * 7/2000 Nakamura D8/356
D438,449 S * 3/2001 Taylor D8/356
D438,781 S * 3/2001 Leach D8/394

* cited by examiner

Primary Examiner—Louis S. Zarfes

Assistant Examiner—John Windmuller

(74) *Attorney, Agent, or Firm*—Carmody & Torrance LLP

(57) **CLAIM**

The ornamental design for a torch connector, as shown and described.

DESCRIPTION

FIG. 1 is a perspective view of a torch connector showing my new design;

FIG. 2 is a left side elevational view thereof, the right side elevational view being a mirror image;

FIG. 3 is a front elevational view thereof;

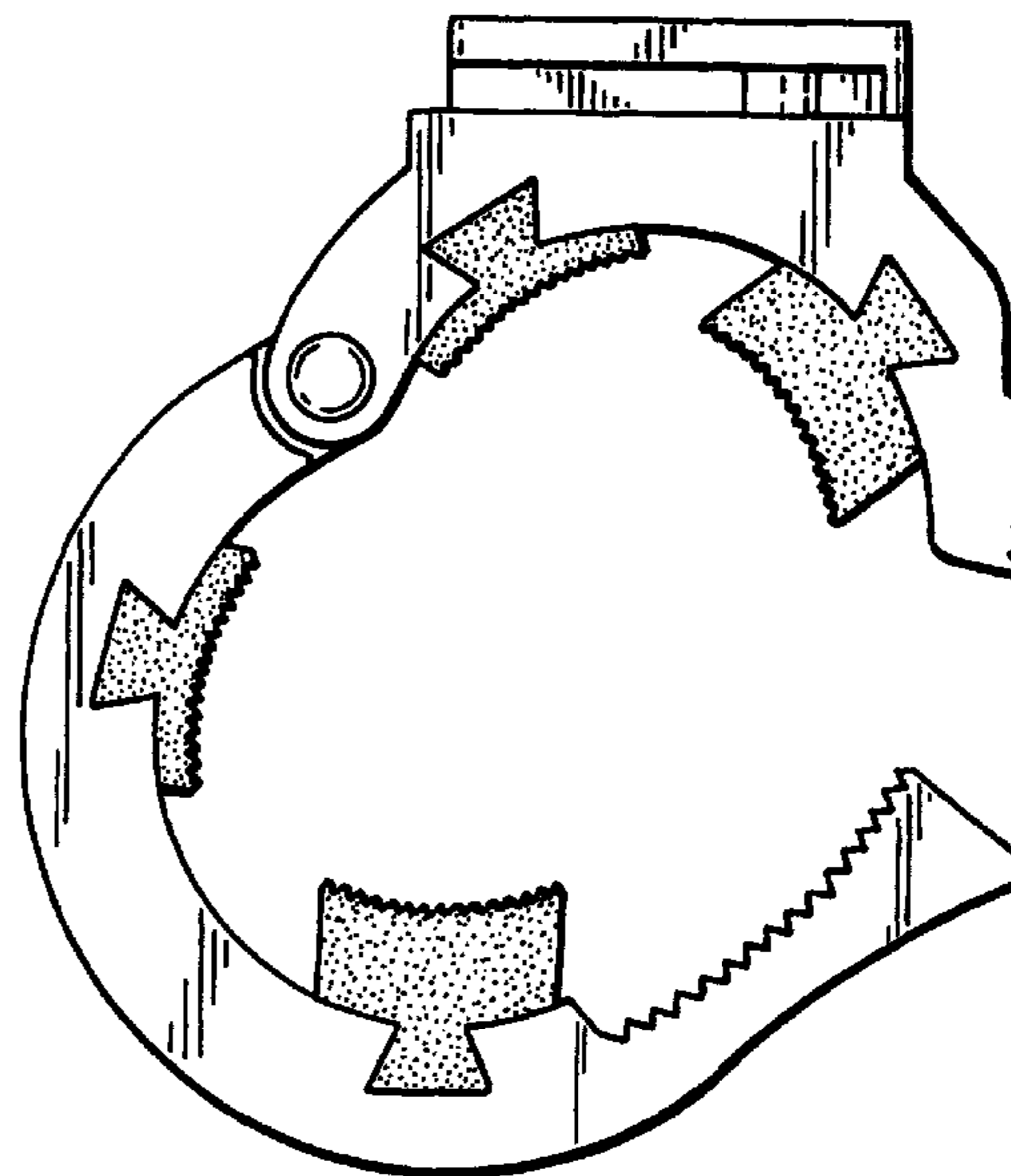
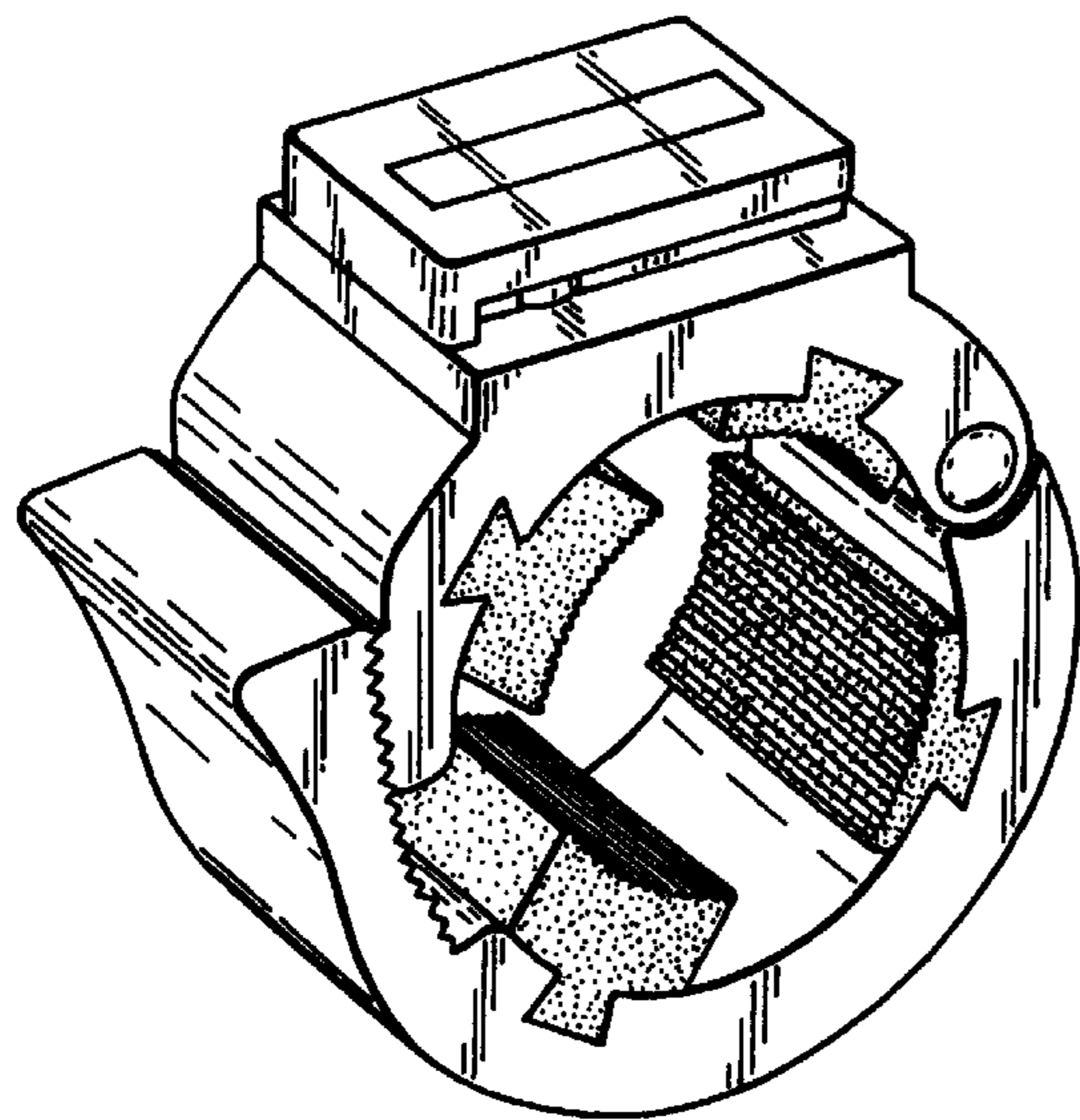
FIG. 4 is a rear elevational view thereof;

FIG. 5 is a top plan view thereof;

FIG. 6 is a bottom plan view thereof; and,

FIG. 7 is a left side elevational view thereof in an open position.

1 Claim, 2 Drawing Sheets



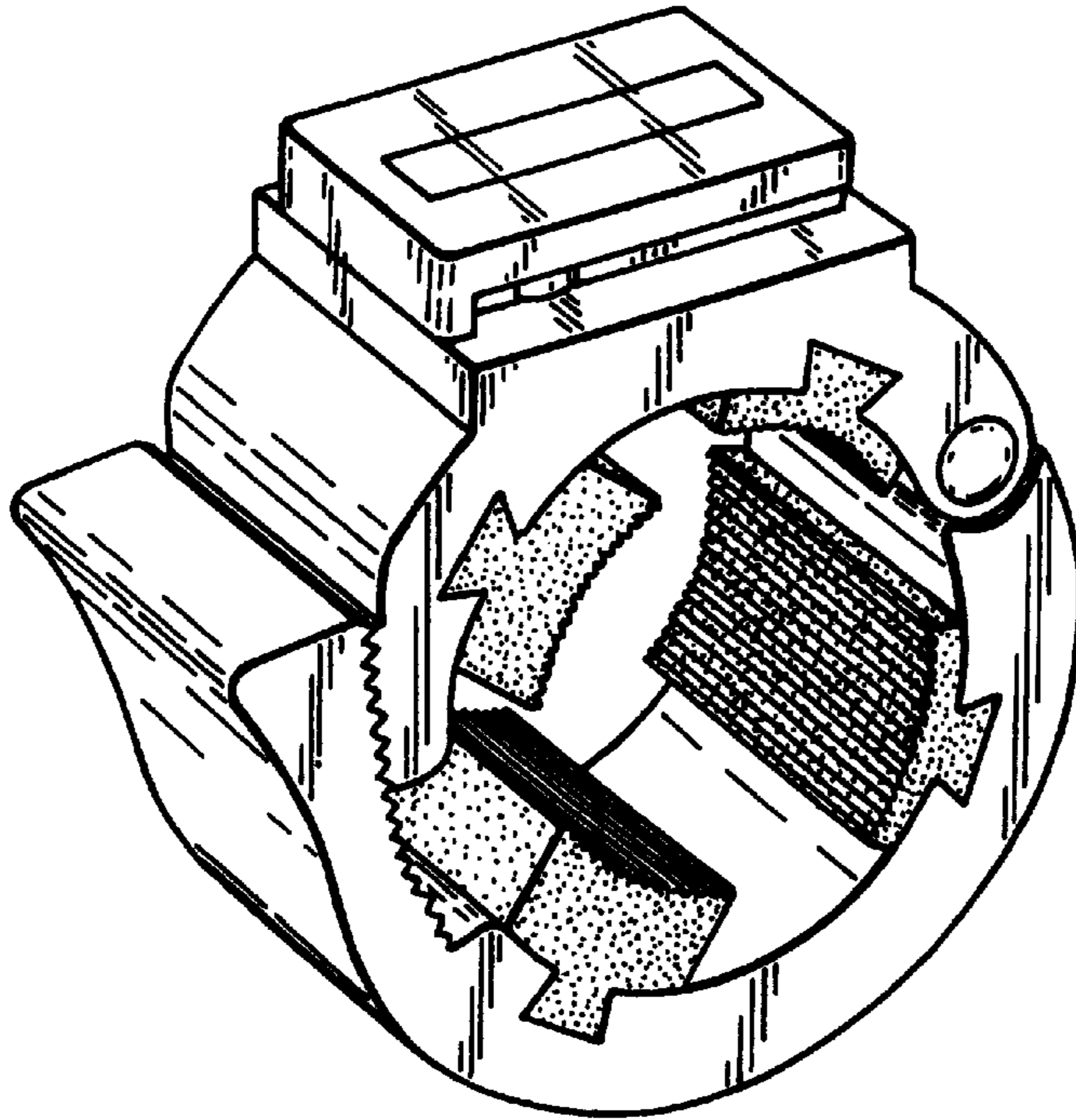


Fig. 1.

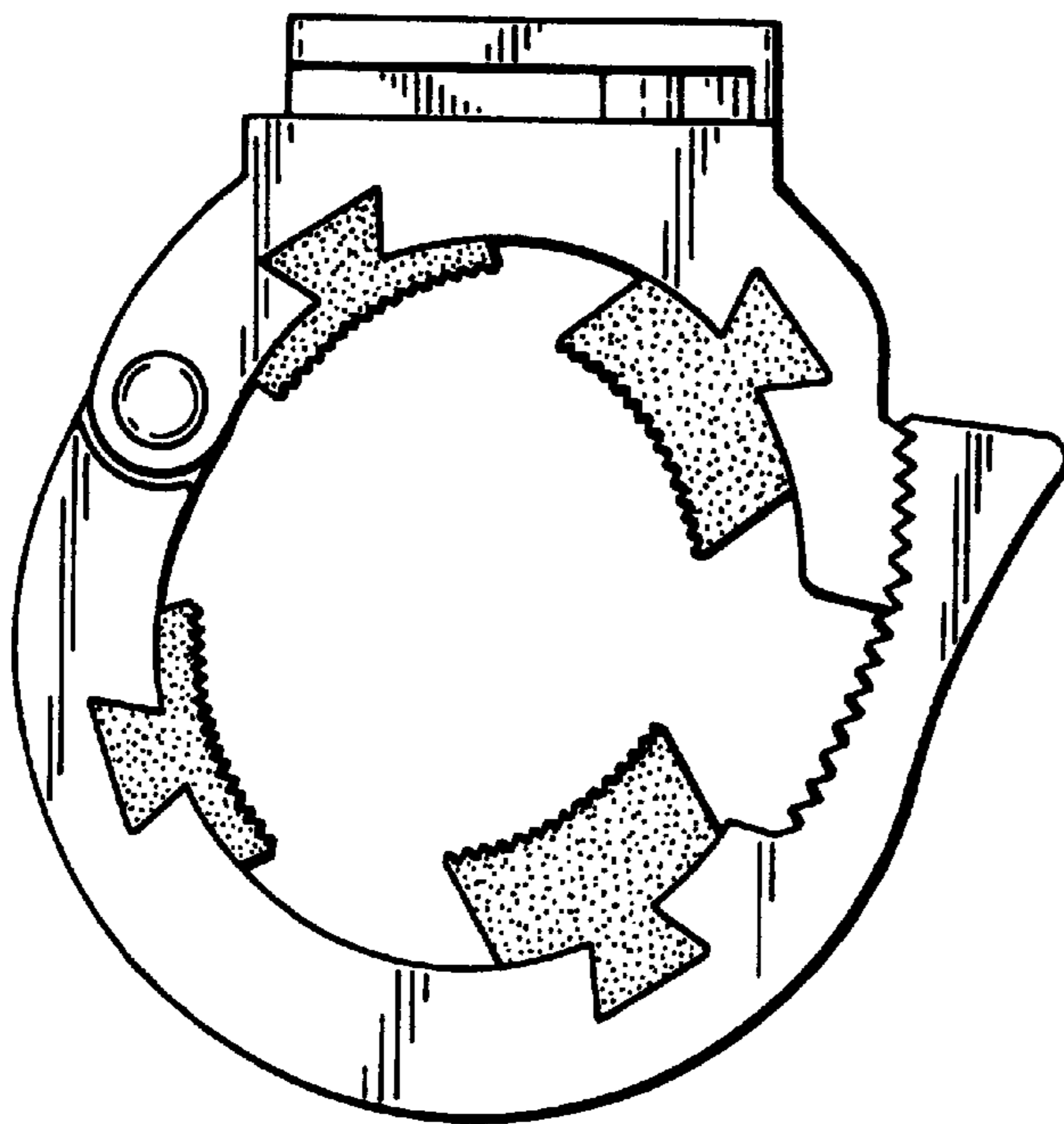


Fig. 2.

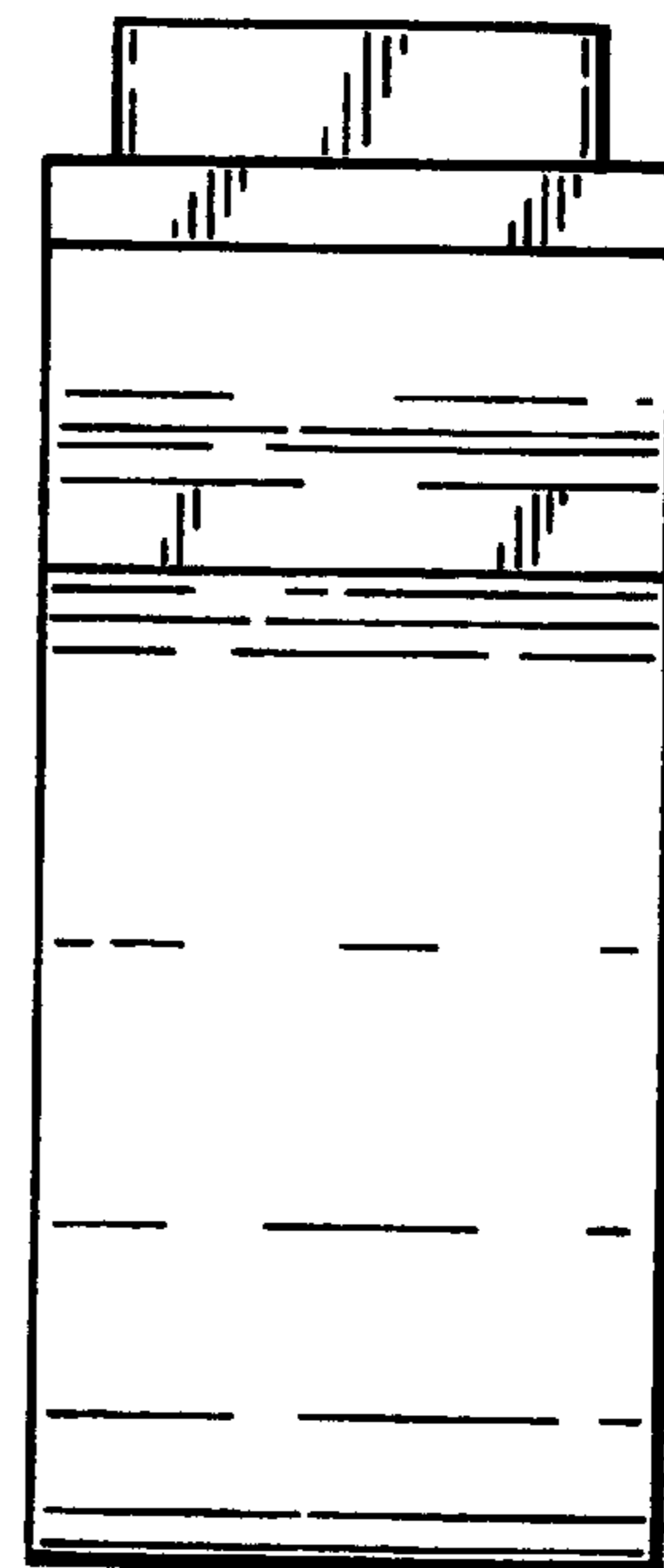


Fig. 3.

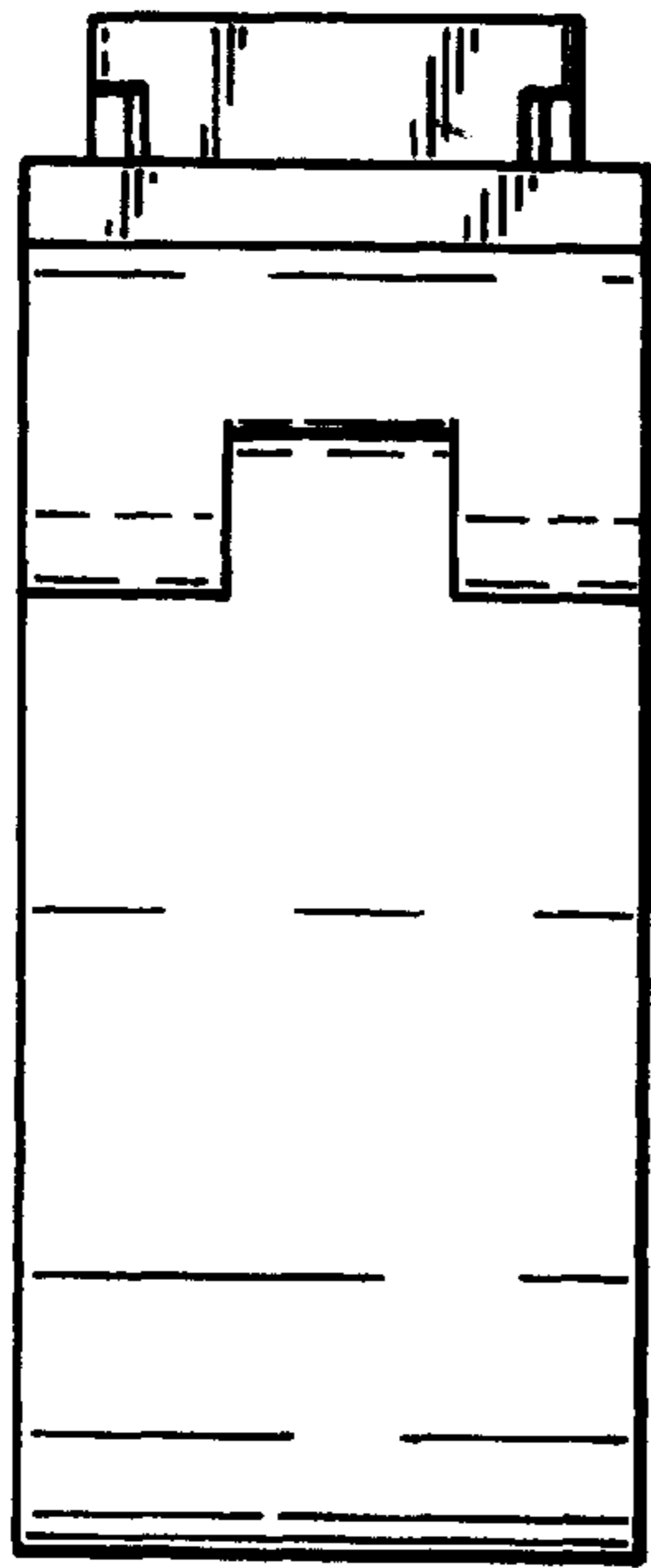


Fig.4.

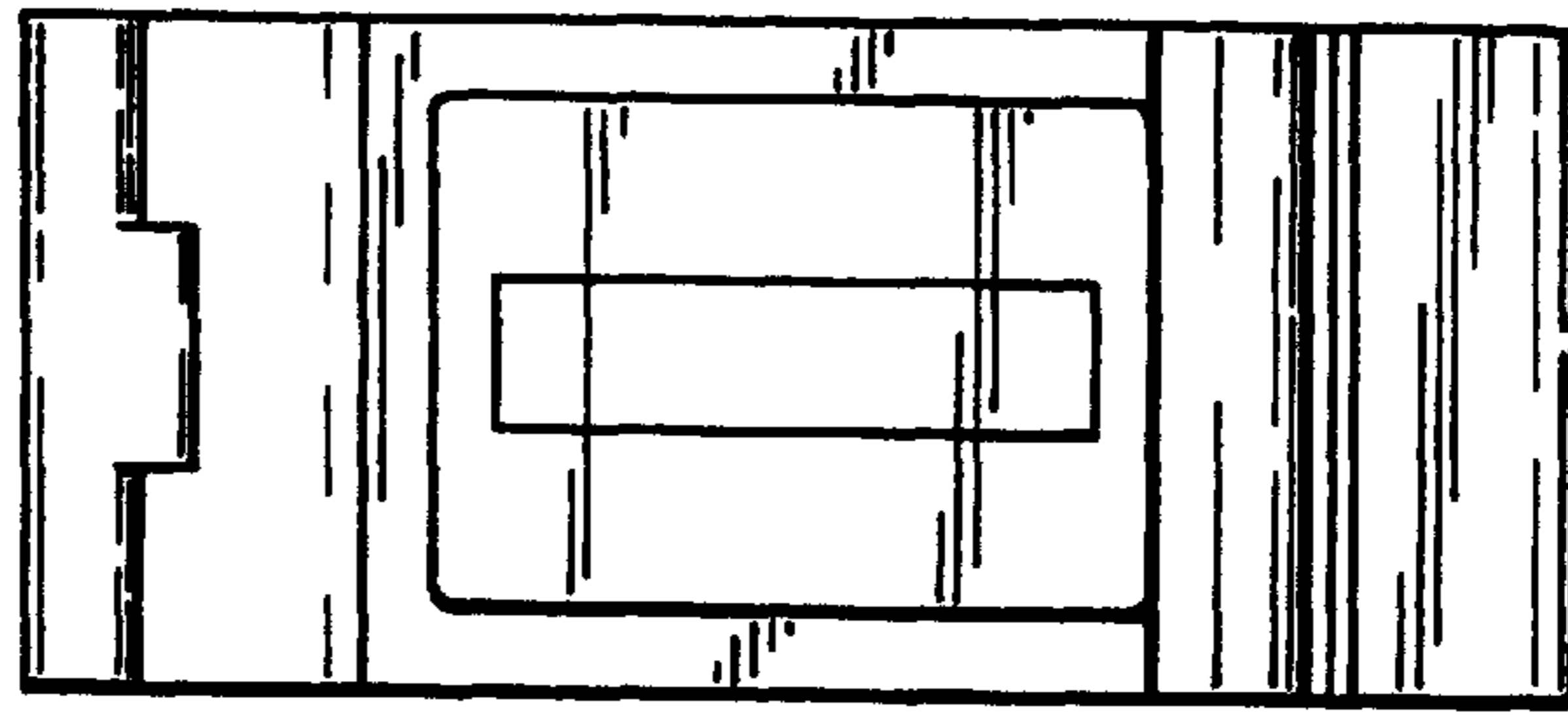


Fig.5.

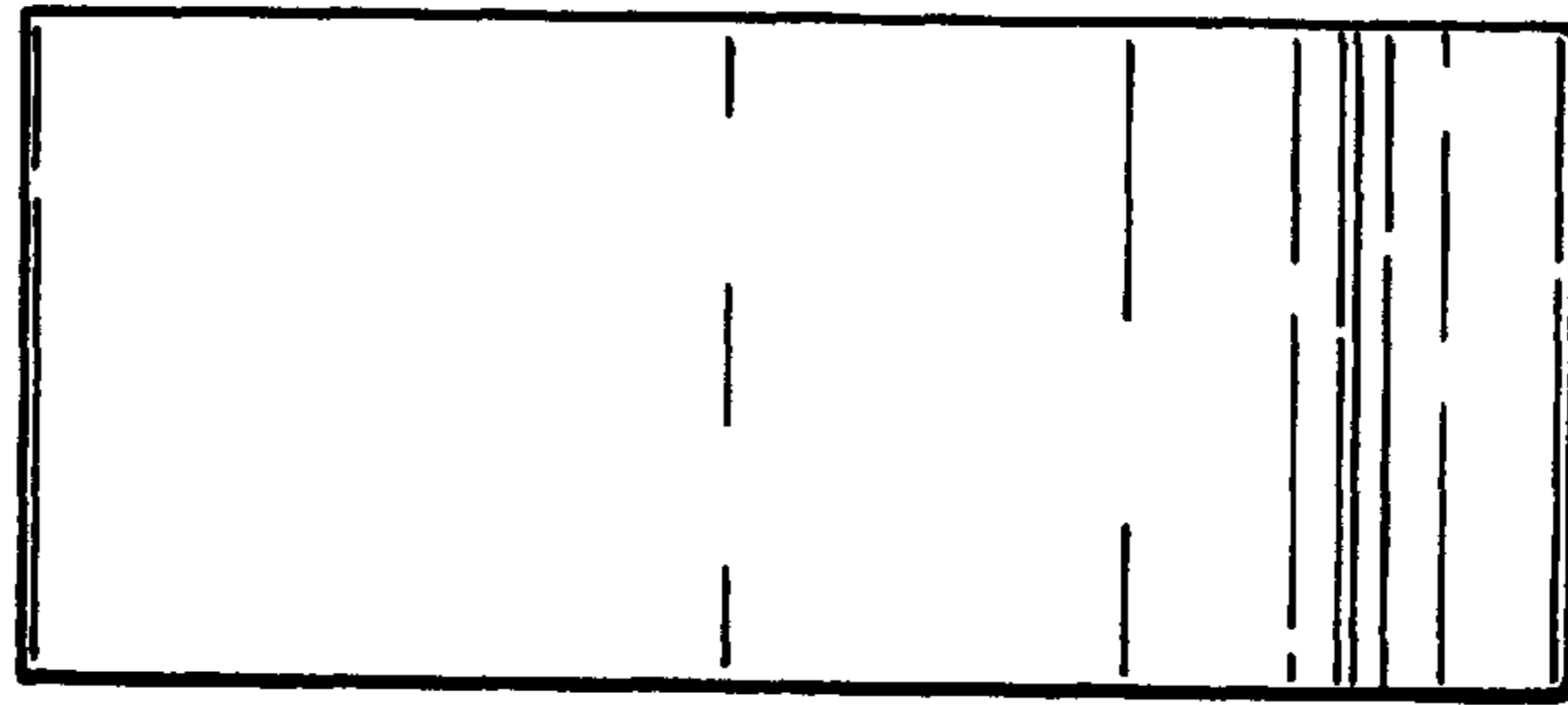


Fig.6.

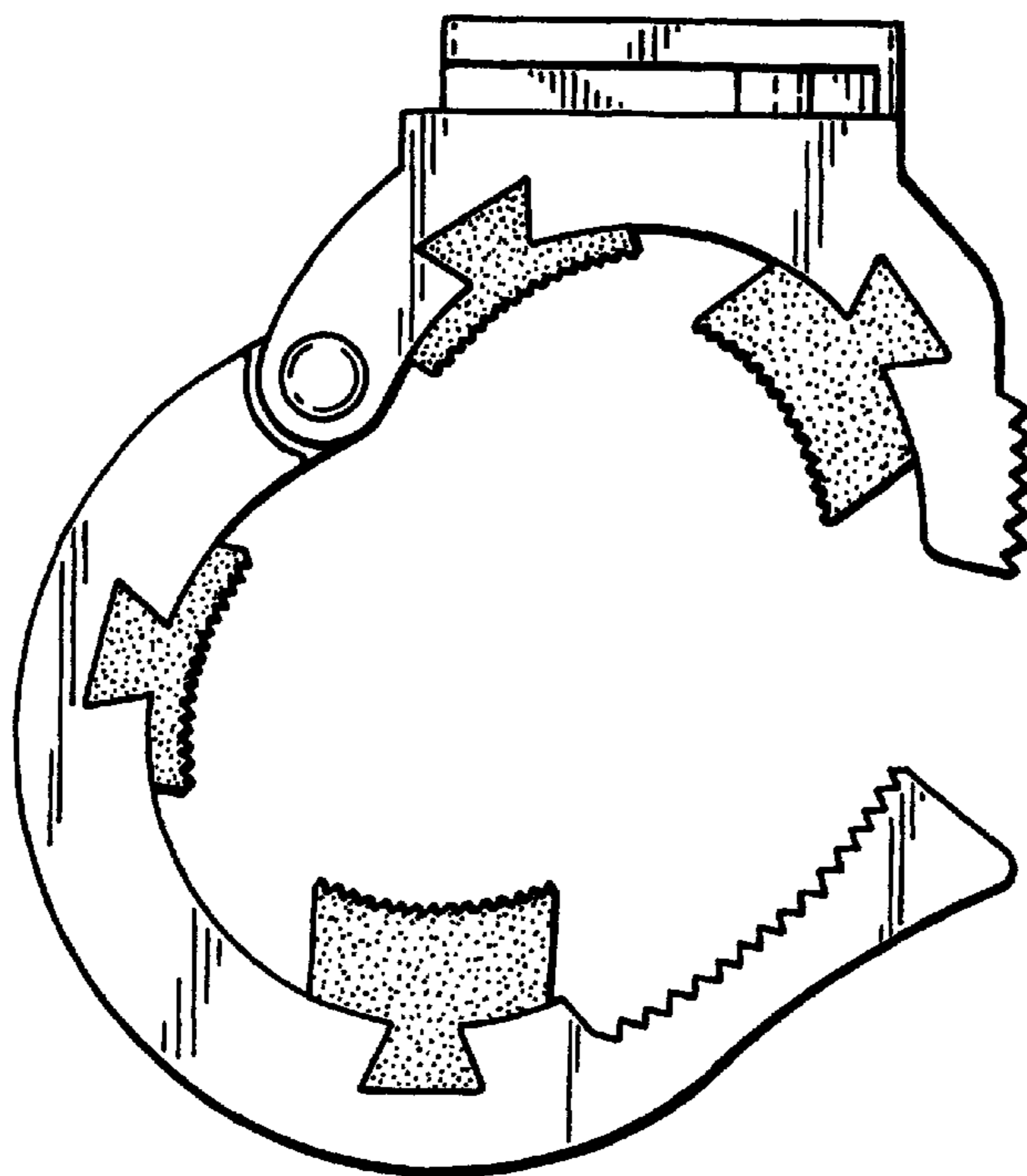


Fig.7.