



US00D537333S

(12) **United States Design Patent**
Jowsey

(10) **Patent No.:** **US D537,333 S**

(45) **Date of Patent:** **** Feb. 27, 2007**

(54) **TAG**

(75) **Inventor:** **Clifford Paul Jowsey, Yeppoon (AU)**

(73) **Assignee:** **Wray & Associates, Western (AU)**

(**) **Term:** **14 Years**

(21) **Appl. No.:** **29/230,156**

(22) **Filed:** **May 17, 2005**

(51) **LOC (8) Cl. 08-08**

(52) **U.S. Cl. D8/396**

(58) **Field of Classification Search** D8/356,
D8/383, 394, 396; 24/16 PB, 17 AP, 30.5 P,
24/30.5 S, 300-302, 339, DIG. 16; 248/58,
248/60, 74.3

See application file for complete search history.

(56) **References Cited**

U.S. PATENT DOCUMENTS

| | | | | |
|------------|---------|---------------|-------|--------|
| D205,940 S | 10/1966 | Miller | | D8/394 |
| D224,960 S | 10/1972 | Wilson | | D8/396 |
| D273,361 S | 4/1984 | Suzuki | | D8/394 |
| D368,853 S | 4/1996 | Liu et al. | | D8/394 |
| D380,375 S | 7/1997 | Rohaly et al. | | D8/396 |
| D471,435 S | 3/2003 | Krisel et al. | | D8/396 |

Primary Examiner—Louis S. Zarfes

Assistant Examiner—John Windmuller

(74) *Attorney, Agent, or Firm*—Needle & Rosenberg, P.C.

(57) **CLAIM**

The ornamental design for a tag, as shown and described.

DESCRIPTION

FIG. 1 is a perspective view of a tag showing my new design;

FIG. 2 is a top plan view thereof;

FIG. 3 is a left side elevational view thereof; the right side elevational view being a mirror image thereof;

FIG. 4 is a bottom plan view thereof;

FIG. 5 is an enlarged fragmentary view of a head portion of FIG. 2;

FIG. 6 is an enlarged fragmentary view of a head portion of FIG. 6;

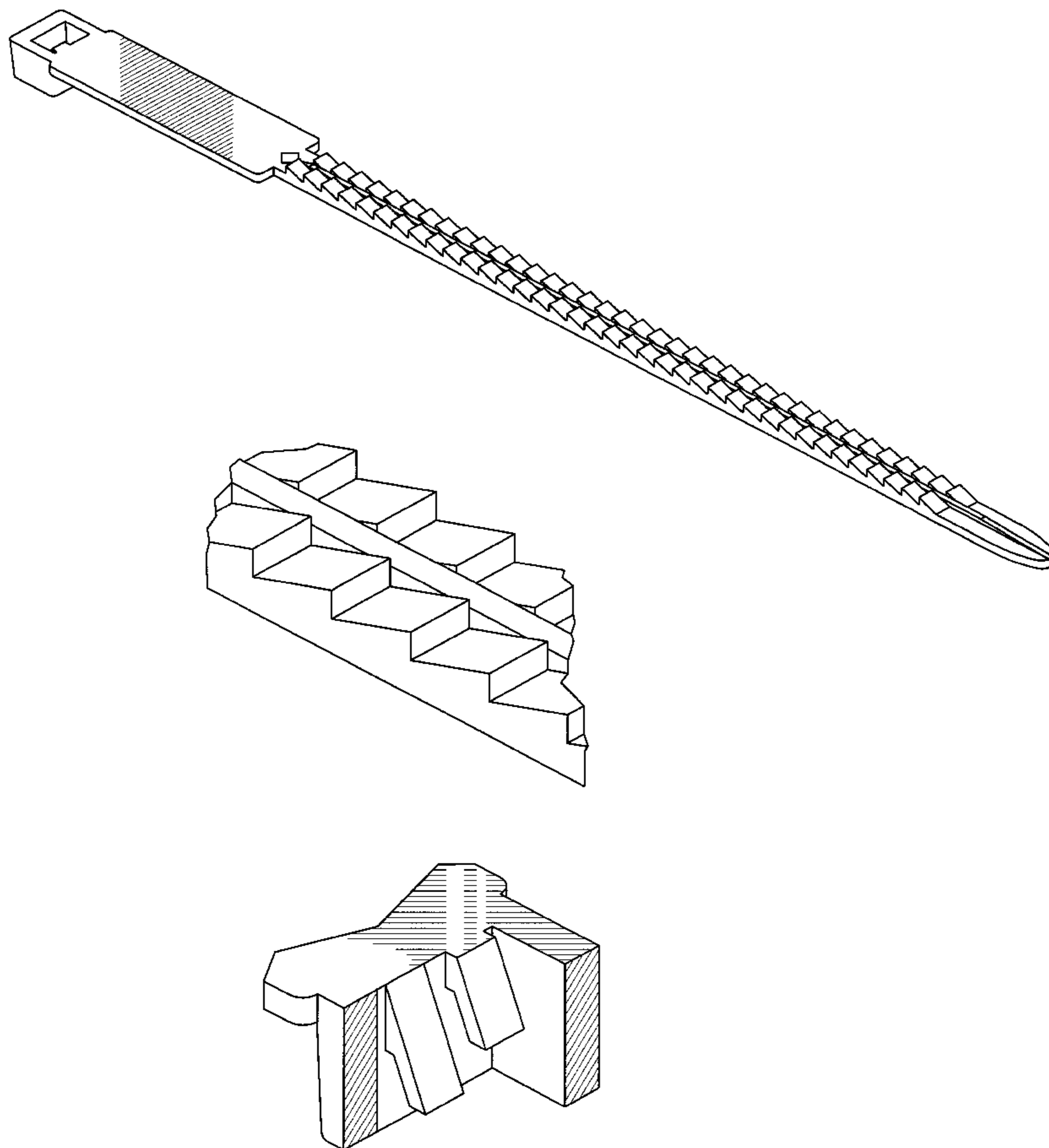
FIG. 7 is a cross-sectional view of the tag taken along line 7—7 of FIG. 5;

FIG. 8 is a cross-sectional view of the tag taken along line 8—8 of FIG. 5;

FIG. 9 is an enlarged fragmentary perspective view of a shank portion of the tag of FIG. 1; and,

FIG. 10 is an enlarged fragmentary cross-sectional perspective view of the tag taken along line 10—10 of FIG. 5.

1 Claim, 3 Drawing Sheets



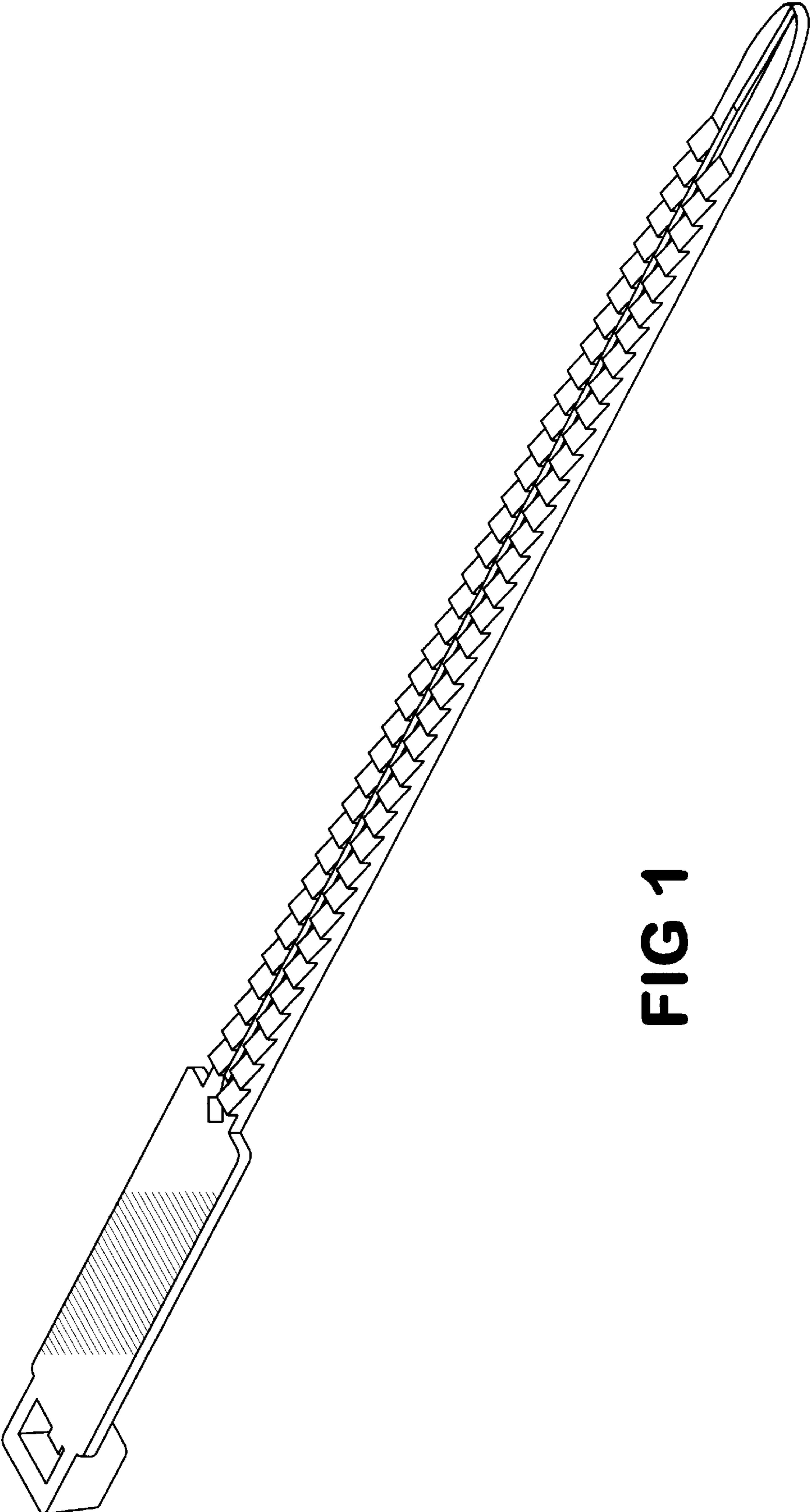


FIG 1

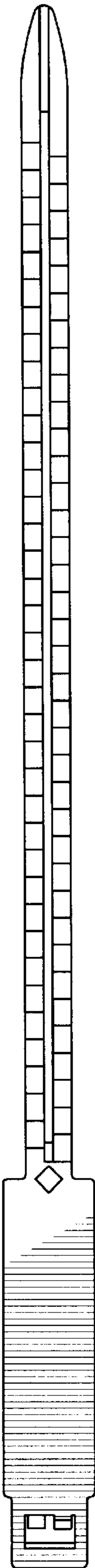


FIG 2



FIG 3

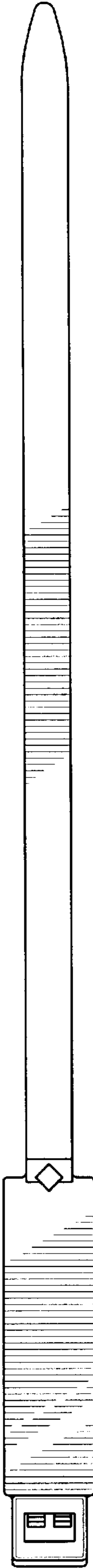


FIG 4

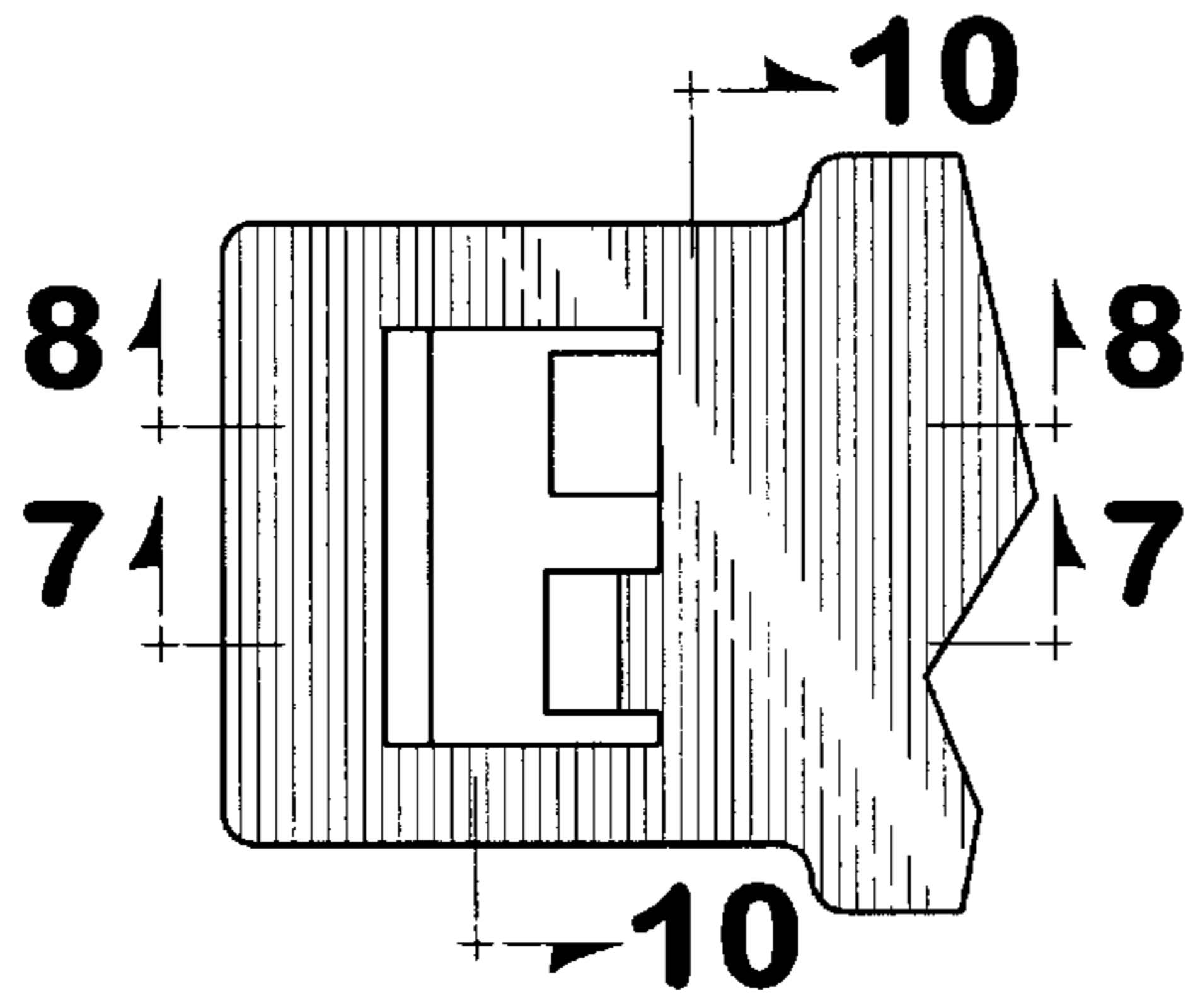


FIG 5

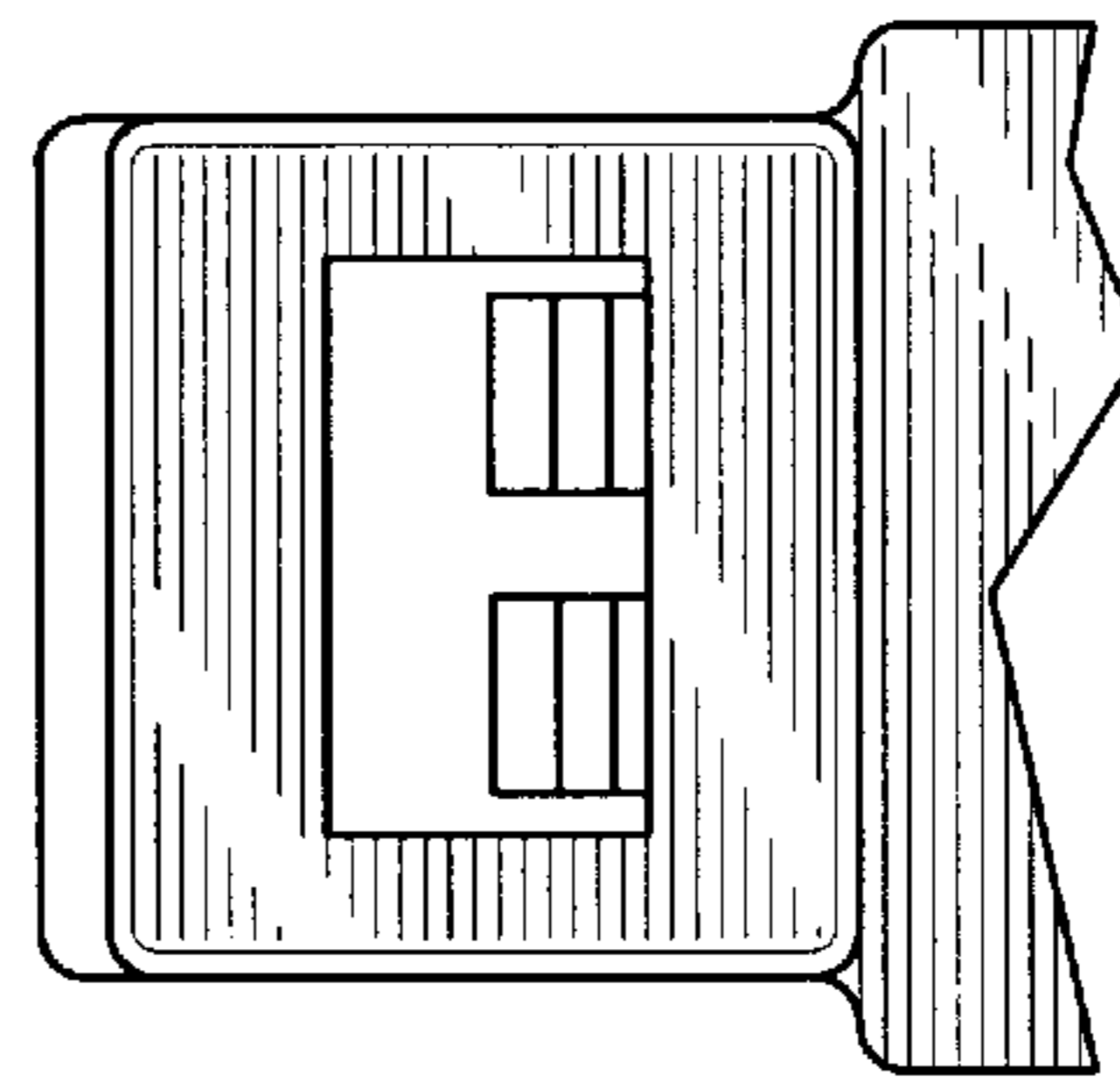


FIG 6

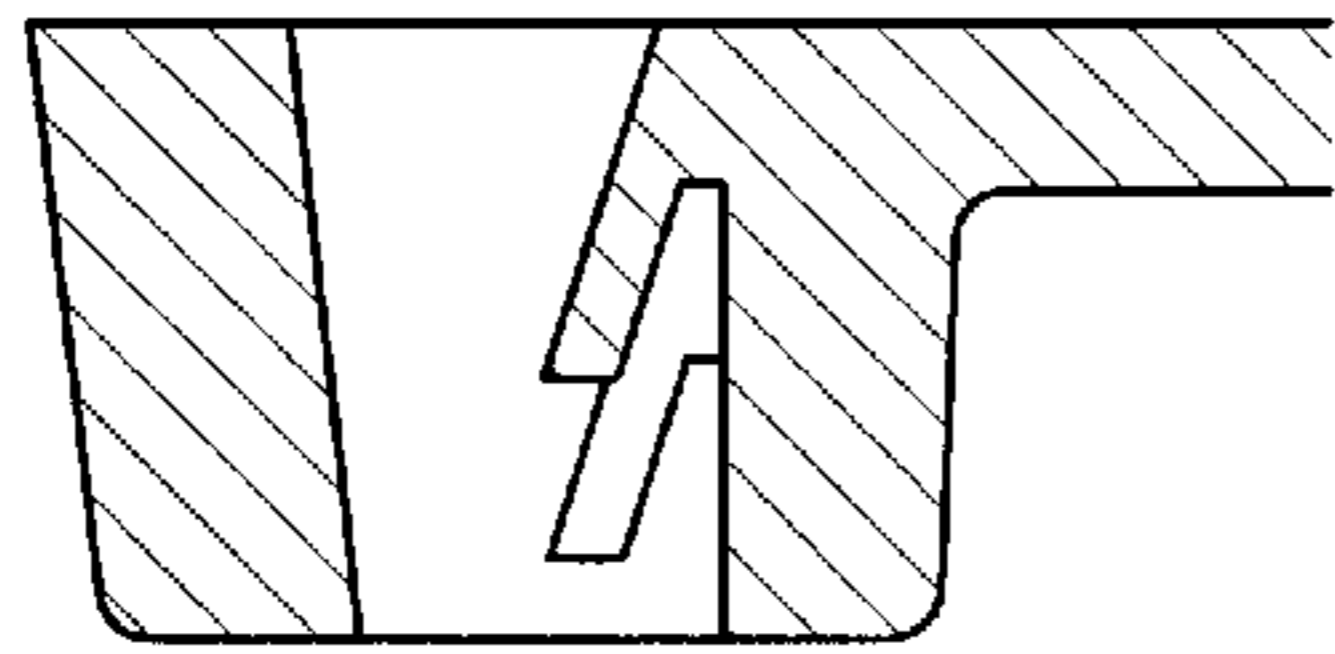


FIG 7

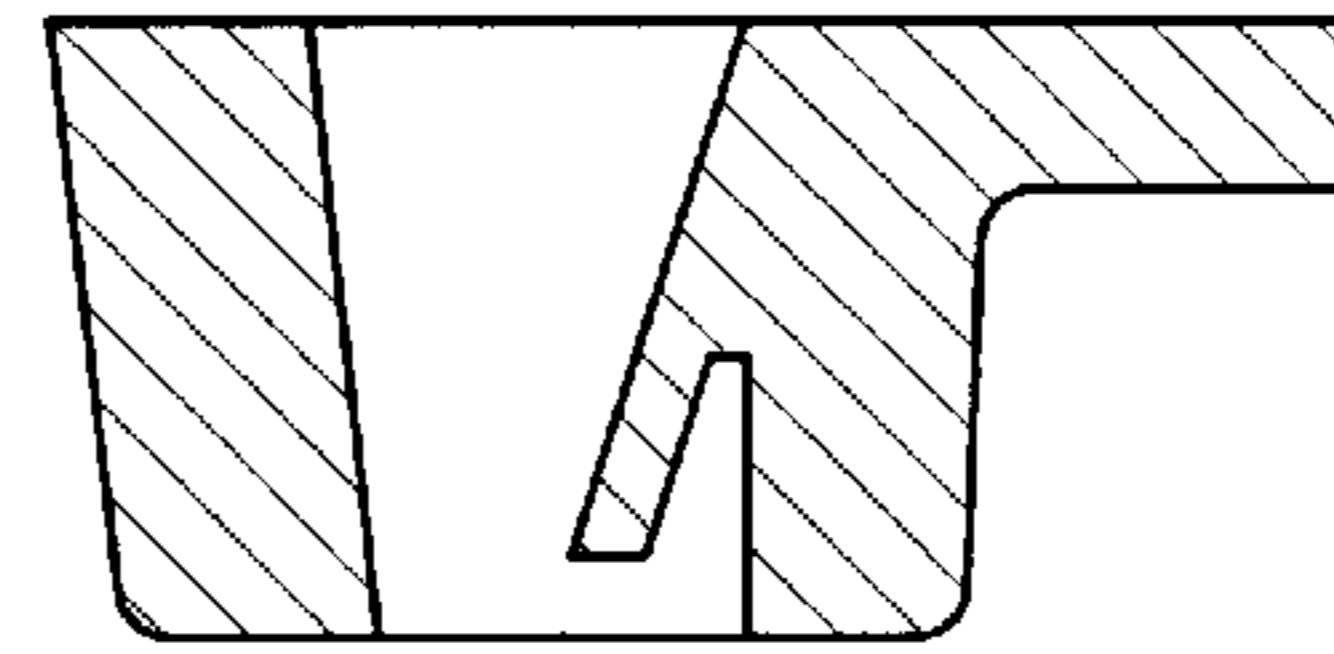


FIG 8

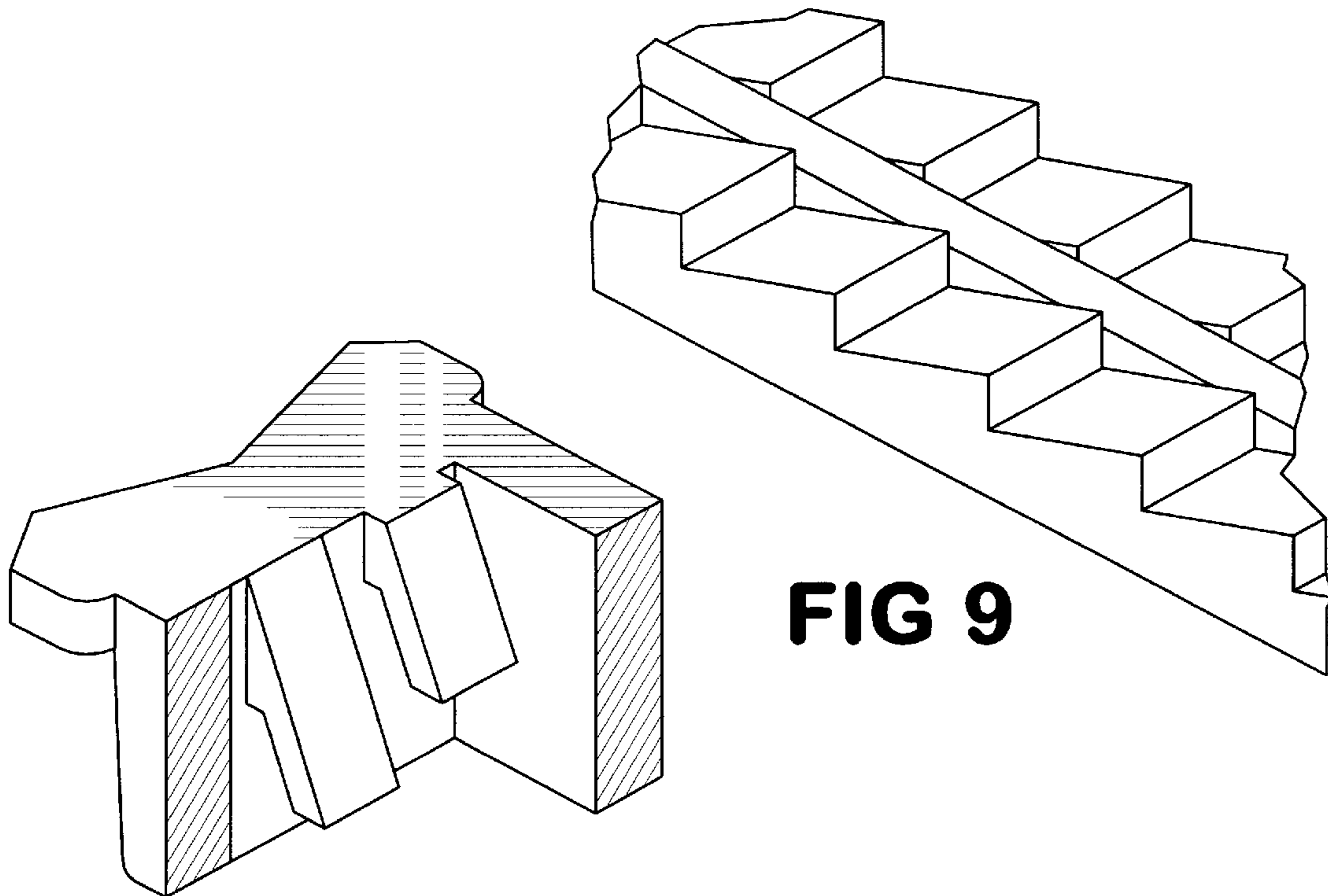


FIG 9

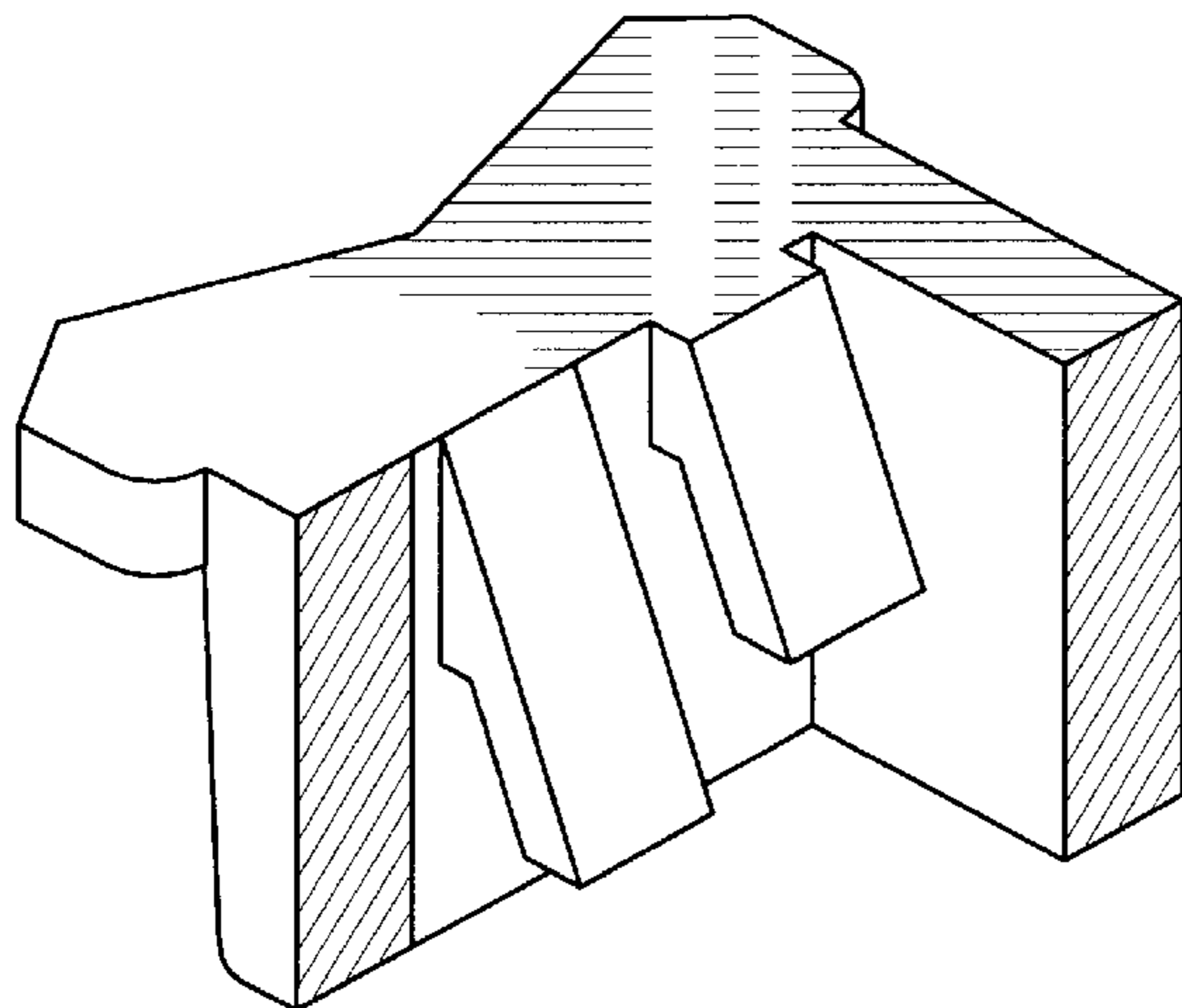


FIG 10