



US00D537331S

(12) **United States Design Patent**
Hill

(10) **Patent No.:** **US D537,331 S**

(45) **Date of Patent:** **** Feb. 27, 2007**

(54) **CLIP**

D440,005 S * 4/2001 Blanton D26/138
D488,587 S * 4/2004 Puorro D28/40

(76) Inventor: **Douglas C. Hill**, 6244 Eastland Rd.,
Brookpark, OH (US) 44142

* cited by examiner

(**) Term: **14 Years**

Primary Examiner—Louis S. Zarfes

Assistant Examiner—John Windmuller

(21) Appl. No.: **29/261,238**

(74) *Attorney, Agent, or Firm*—Fay, Sharpe, Fagan,
Minnich & McKee, LLP

(22) Filed: **Jun. 9, 2006**

(57) **CLAIM**

(51) **LOC (8) Cl.** **08-08**

The ornamental design for a clip, as shown and described.

(52) **U.S. Cl.** **D8/395**; D8/396

DESCRIPTION

(58) **Field of Classification Search** D8/356,
D8/371, 394–396; 248/74.2, 215, 227.1,
248/49, 300, 301, 316.7, 51, 489; 24/22,
24/67 R, 20 S, 115 R, 546, 563, 910, 343,
24/67.9; D19/65

FIG. 1 is a perspective view of a clip showing my new design;

FIG. 2 is a top plan view thereof;

FIG. 3 is a right side elevational view thereof, the left side elevational view being a mirror image thereof;

FIG. 4 is a front elevational view thereof; and,

FIG. 5 is a rear elevational view thereof.

See application file for complete search history.

The bottom of the clip has no ornamentation.

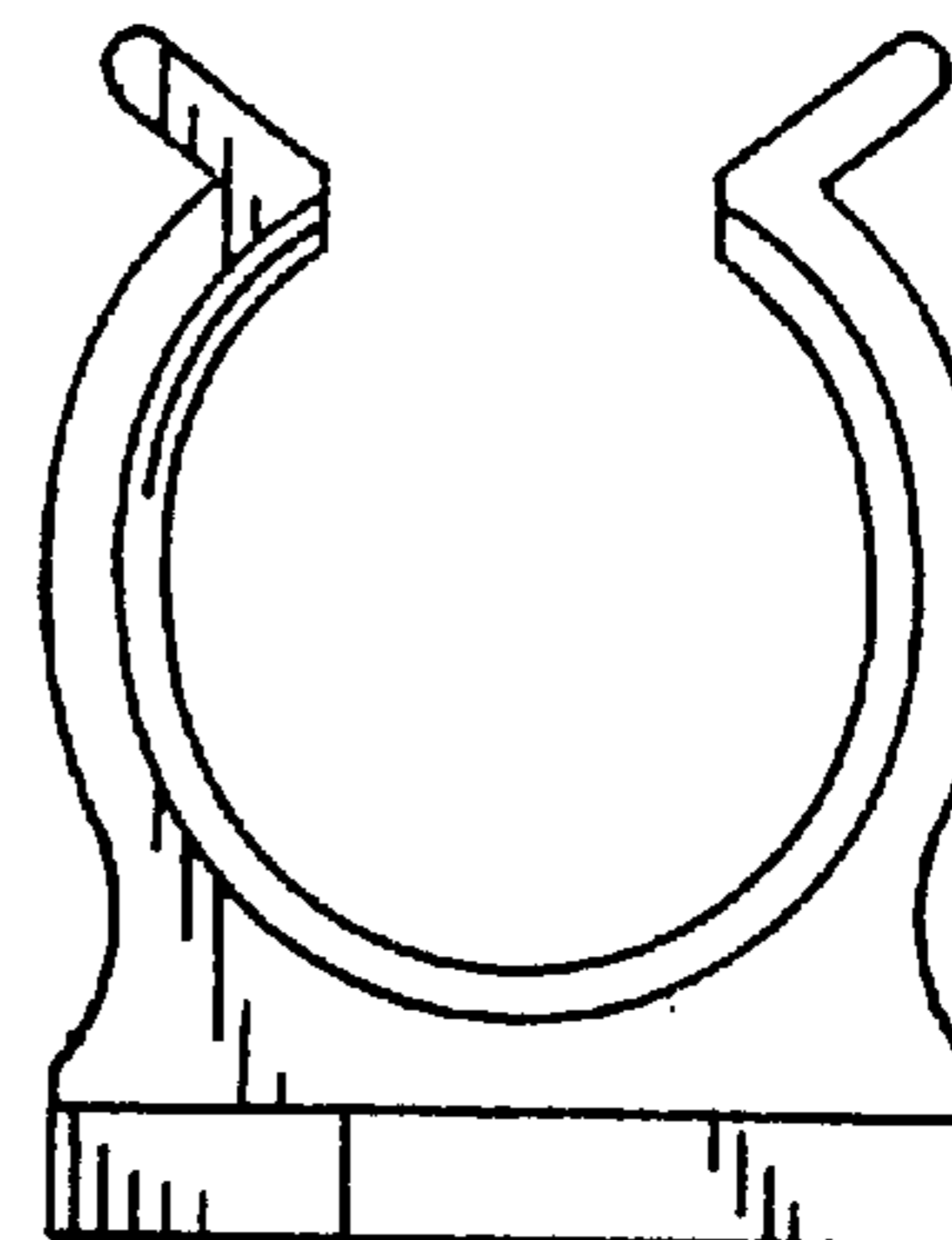
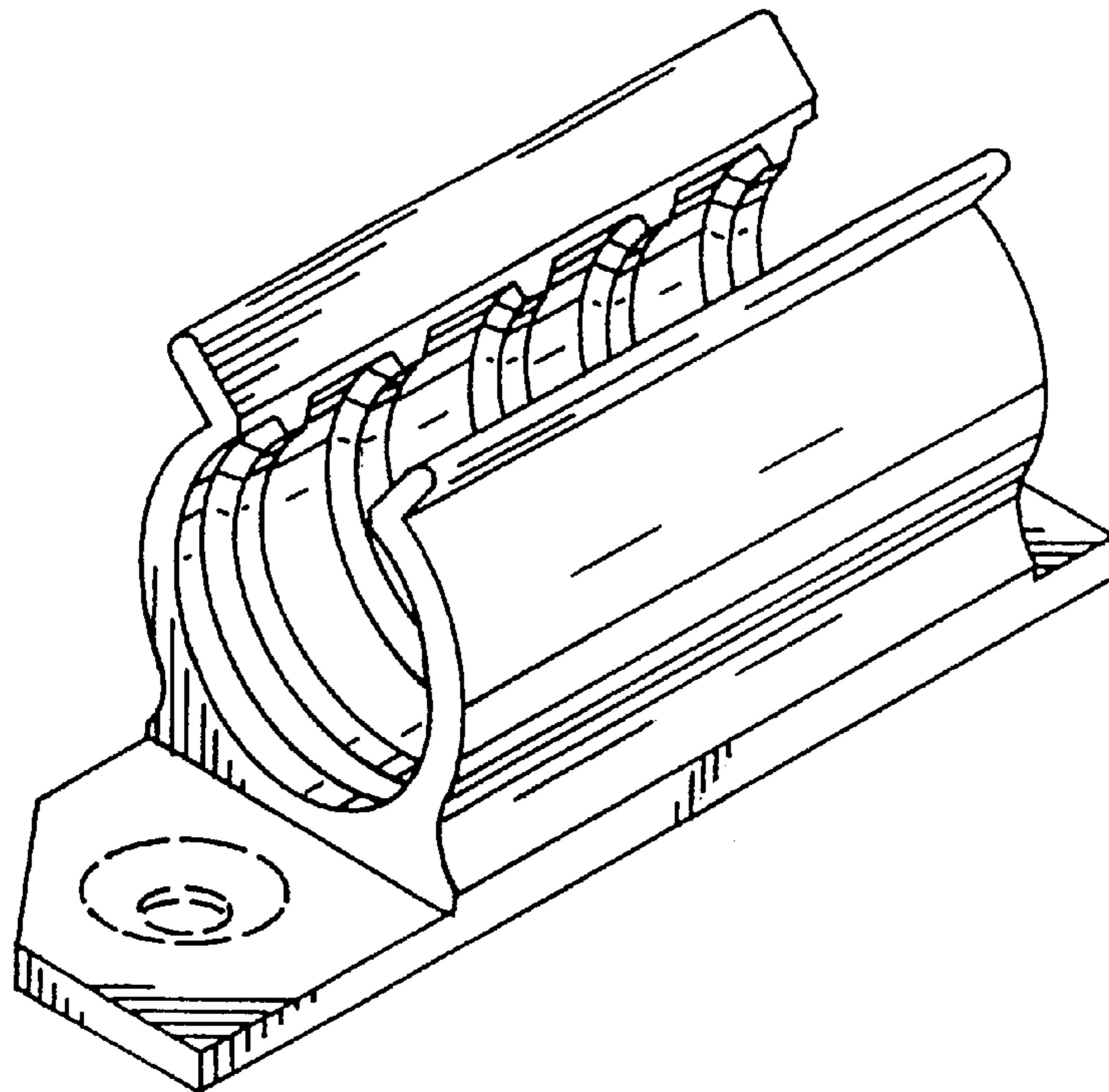
The broken line showing of a mounting hole is included for illustrative purposes only and forms no part of the claimed design.

(56) **References Cited**

U.S. PATENT DOCUMENTS

D220,830 S * 6/1971 Harrison D8/371
D305,402 S * 1/1990 Novak D8/395
D309,280 S * 7/1990 Balfanz-Lee D11/215
5,299,367 A * 4/1994 Johnson et al. 34/95

1 Claim, 1 Drawing Sheet



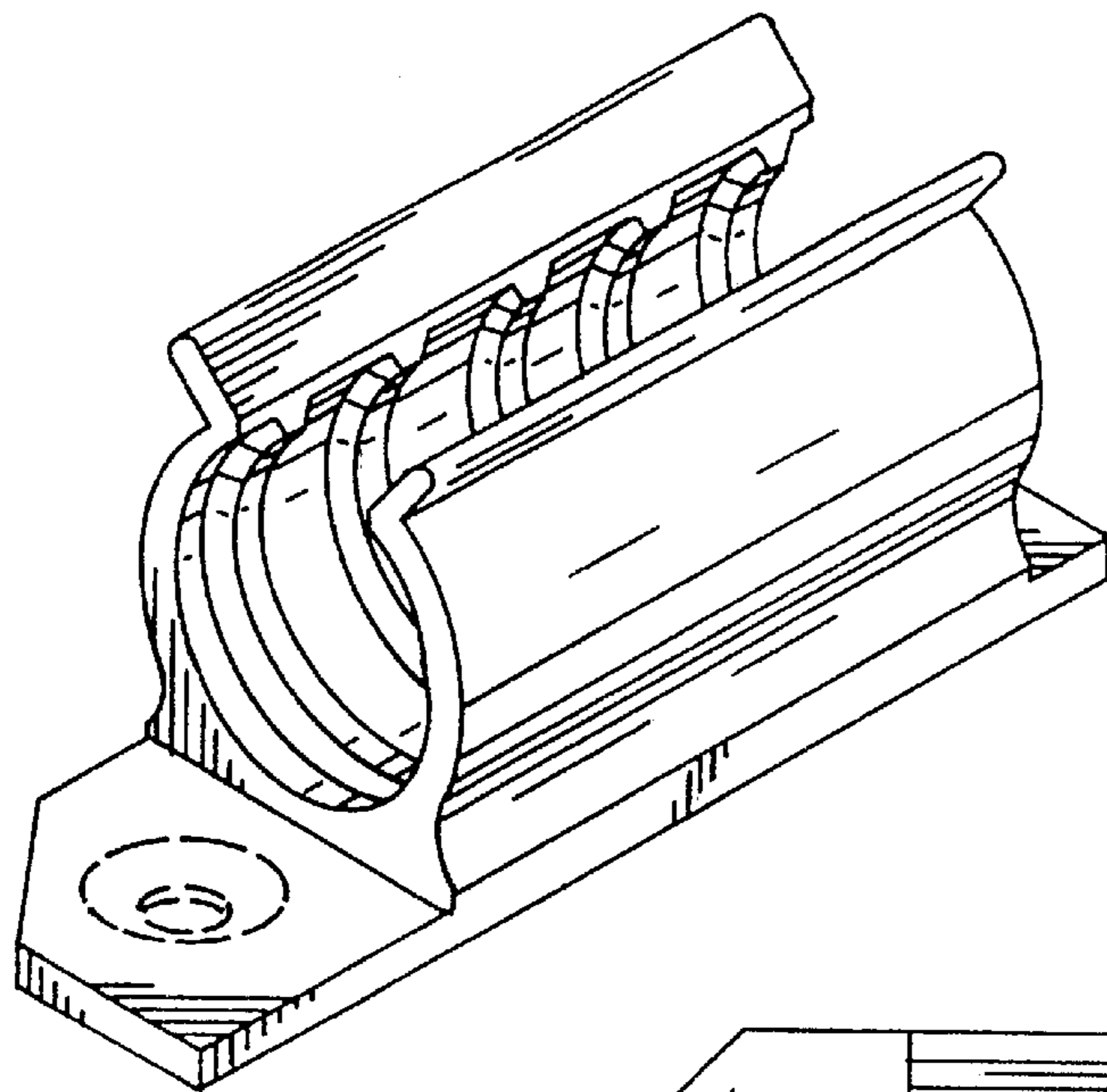


FIG. 1

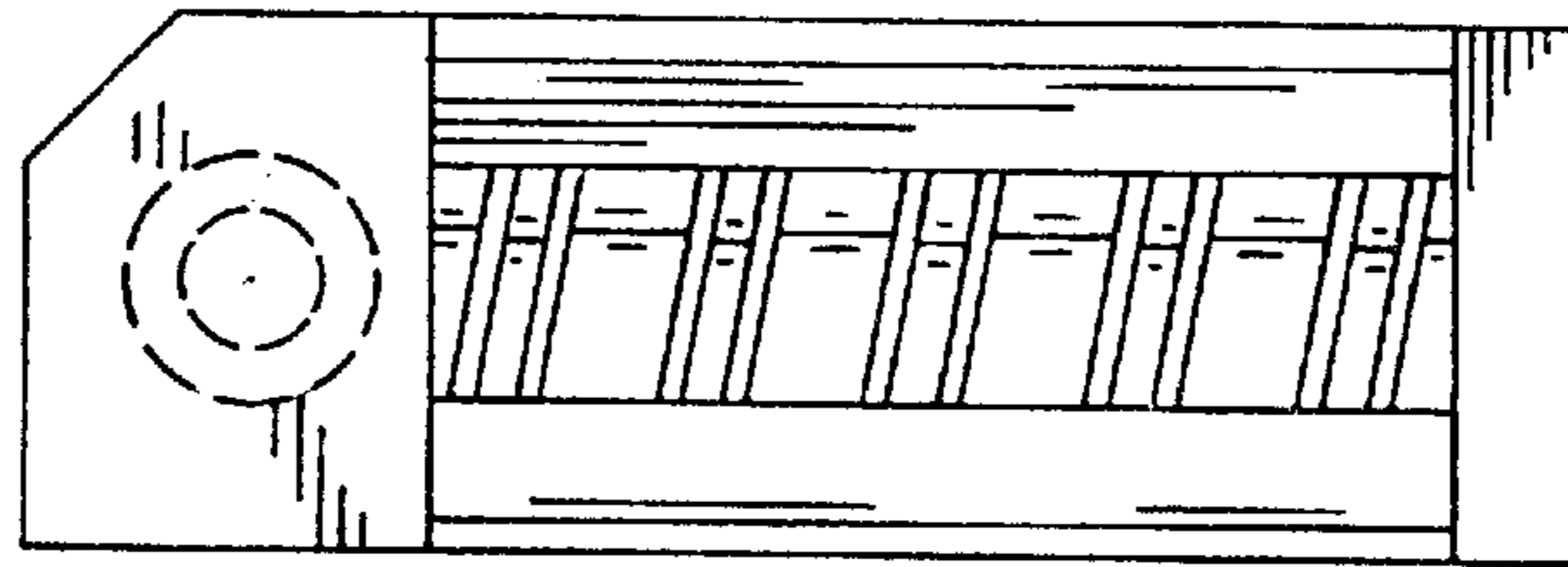


FIG. 2

FIG. 3

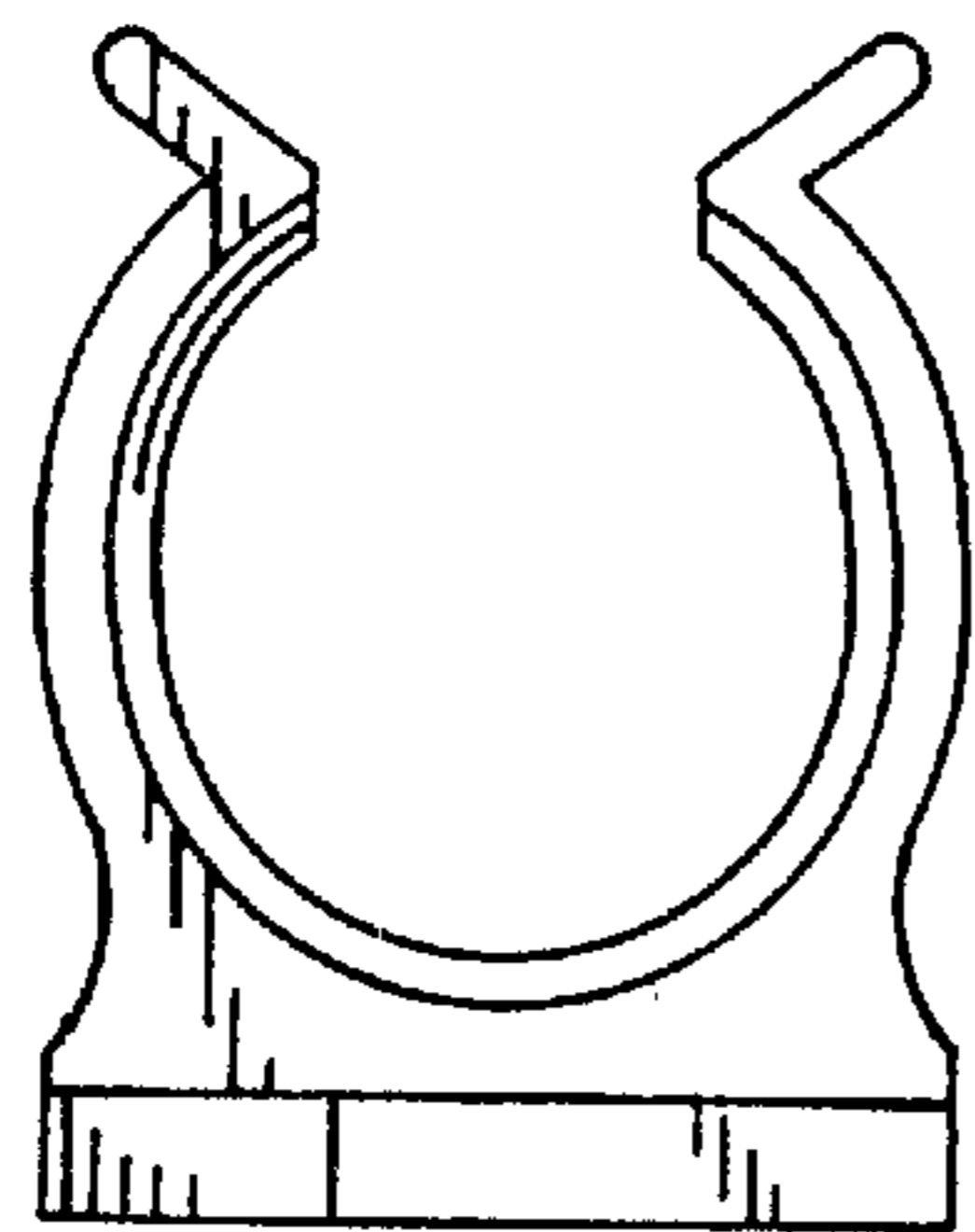
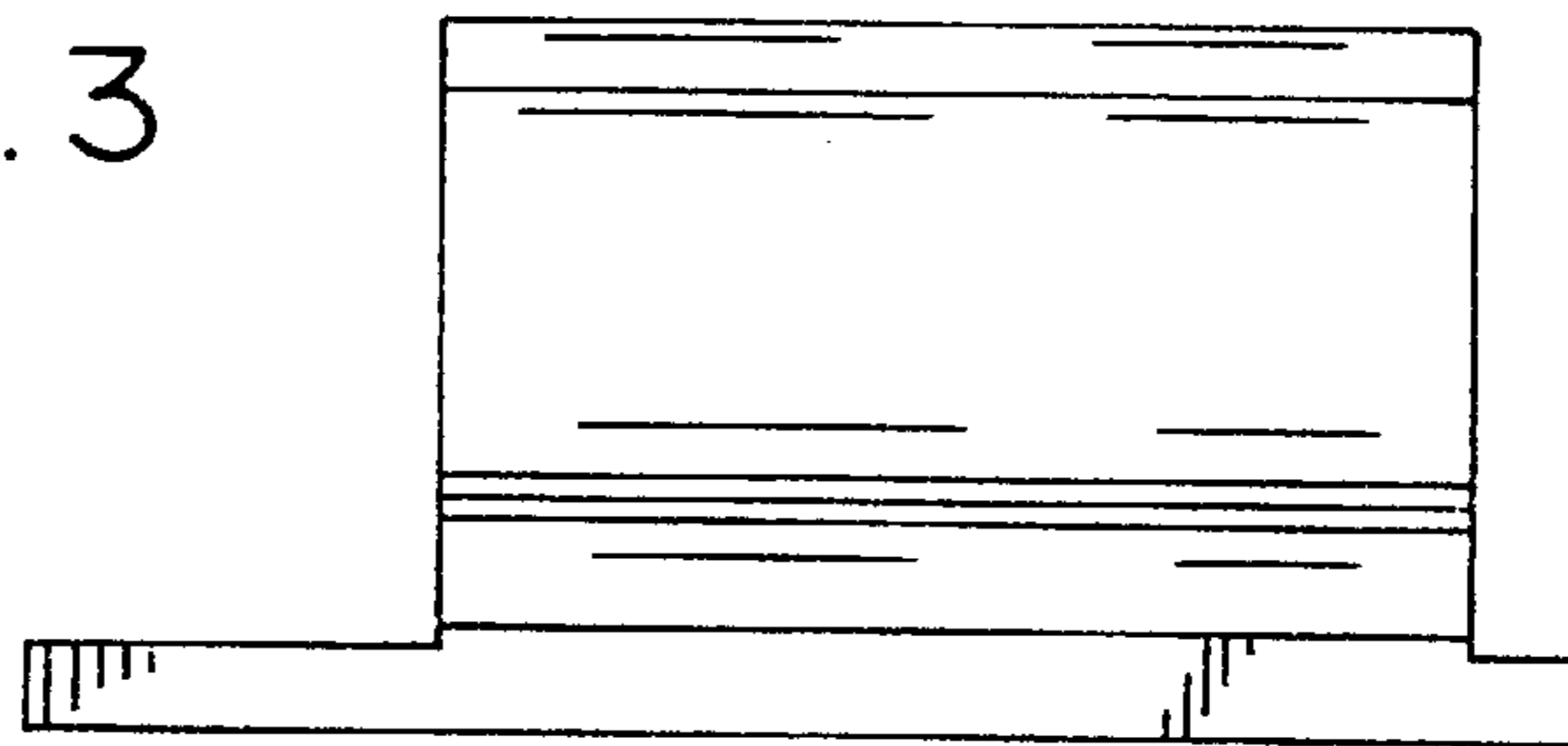


FIG. 4

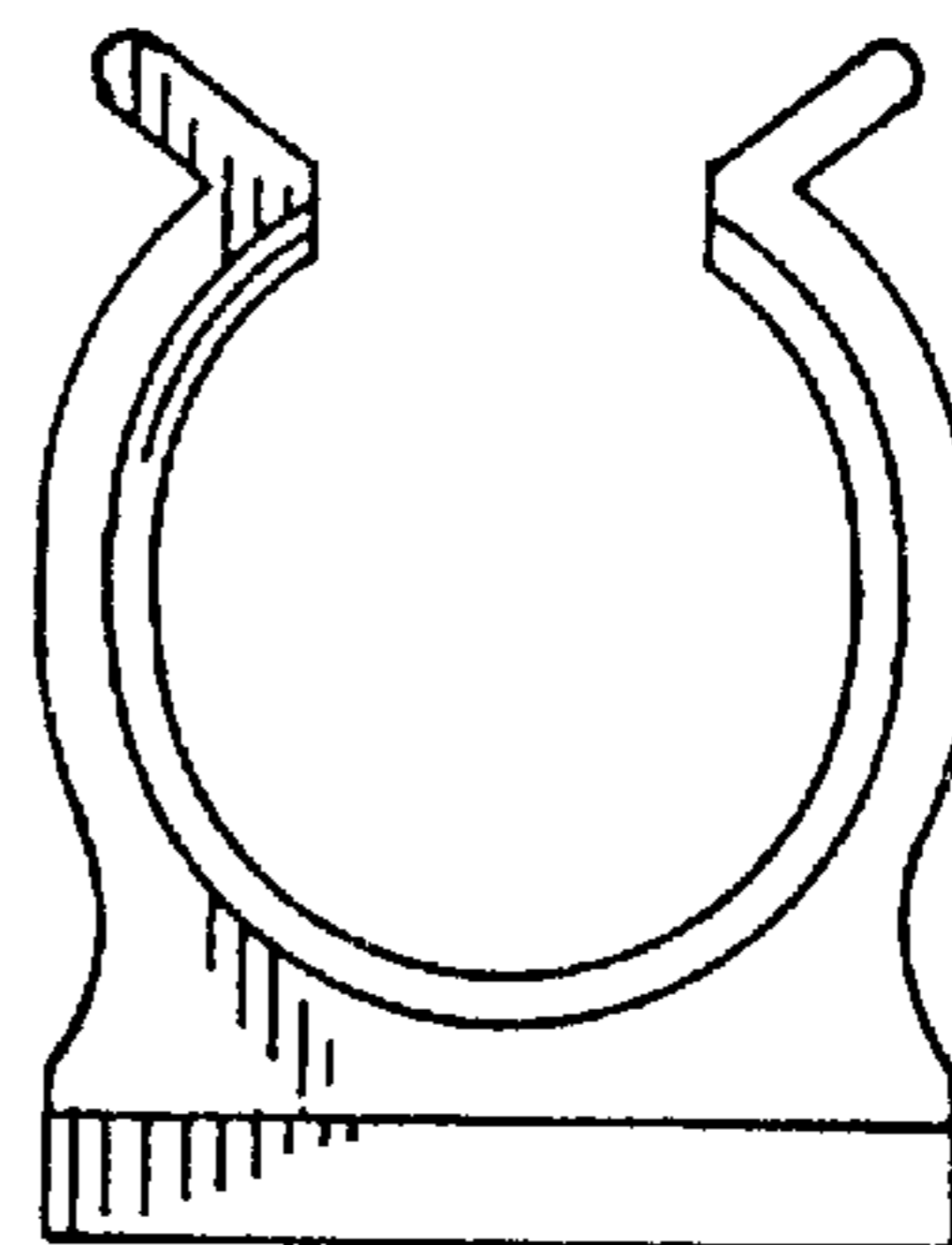


FIG. 5