



US00D537330S

(12) **United States Design Patent**  
**Cox et al.**

(10) **Patent No.:** **US D537,330 S**

(45) **Date of Patent:** **\*\* Feb. 27, 2007**

(54) **CLIP**

(75) Inventors: **Johnny Cox**, Rowlett, TX (US); **Trevor Jackson**, Kirtland, OH (US); **Harry Klaus**, Mars, PA (US)

(73) Assignee: **Emerald Innovation L.L.C.**, Butler, PA (US)

(\*\*) Term: **14 Years**

(21) Appl. No.: **29/253,310**

(22) Filed: **Feb. 3, 2006**

(51) **LOC (8) Cl.** ..... **08-08**

(52) **U.S. Cl.** ..... **D8/395**

(58) **Field of Classification Search** ..... D8/356,  
D8/371, 394-396; 248/74.2, 215, 227.1,  
248/49, 300, 301, 316.7, 51, 489; 24/22,  
24/67 R, 20 S, 115 R, 546, 563, 910, 343,  
24/67.9; D19/65

See application file for complete search history.

D383,666 S 9/1997 Adams  
5,669,709 A 9/1997 Adams  
D396,184 S 7/1998 Adams et al.  
D405,681 S 2/1999 McDowell et al.  
D406,383 S 3/1999 Adams  
5,910,351 A \* 6/1999 Davis et al. .... 428/100  
D414,291 S 9/1999 Gary et al.  
D416,788 S 11/1999 Jones et al.  
D417,612 S 12/1999 Jones  
D421,565 S 3/2000 Jones et al.  
D422,203 S 4/2000 Gary et al.  
D424,418 S 5/2000 Gary et al.  
D424,419 S 5/2000 Avinger  
D427,510 S 7/2000 Gary et al.  
6,131,865 A 10/2000 Adams  
D435,684 S 12/2000 Gary et al.  
D451,007 S 11/2001 Jones et al.  
6,328,459 B1 12/2001 Adams  
6,352,229 B1 3/2002 Adams  
D455,065 S \* 4/2002 Berg ..... D8/371  
D460,912 S 7/2002 Gary et al.  
6,497,396 B1 12/2002 Adams  
6,513,772 B2 2/2003 Kalman et al.  
6,644,836 B1 11/2003 Adams

(Continued)

(56) **References Cited**

U.S. PATENT DOCUMENTS

D251,124 S \* 2/1979 Takeuchi ..... D8/395  
D290,931 S \* 7/1987 Powell ..... D8/373  
5,141,192 A 8/1992 Adams  
D331,360 S 12/1992 Adams  
5,249,108 A 9/1993 Gary  
D342,889 S 1/1994 Adams  
D356,246 S 3/1995 Adams  
D356,492 S 3/1995 Adams  
D360,355 S 7/1995 Adams  
D360,572 S 7/1995 Adams  
D360,573 S 7/1995 Adams  
D365,015 S 12/1995 Avinger  
D367,223 S 2/1996 Adams  
D368,016 S 3/1996 McDowell et al.  
D368,017 S 3/1996 McDowell et al.  
D368,018 S 3/1996 McDowell et al.  
D376,535 S 12/1996 Gary et al.  
D376,973 S 12/1996 Brown  
D377,844 S 2/1997 Gary et al.  
D378,439 S 3/1997 Gary et al.

*Primary Examiner*—Louis S. Zarfaz  
*Assistant Examiner*—John Windmuller  
(74) *Attorney, Agent, or Firm*—Calfee, Halter & Griswold LLP

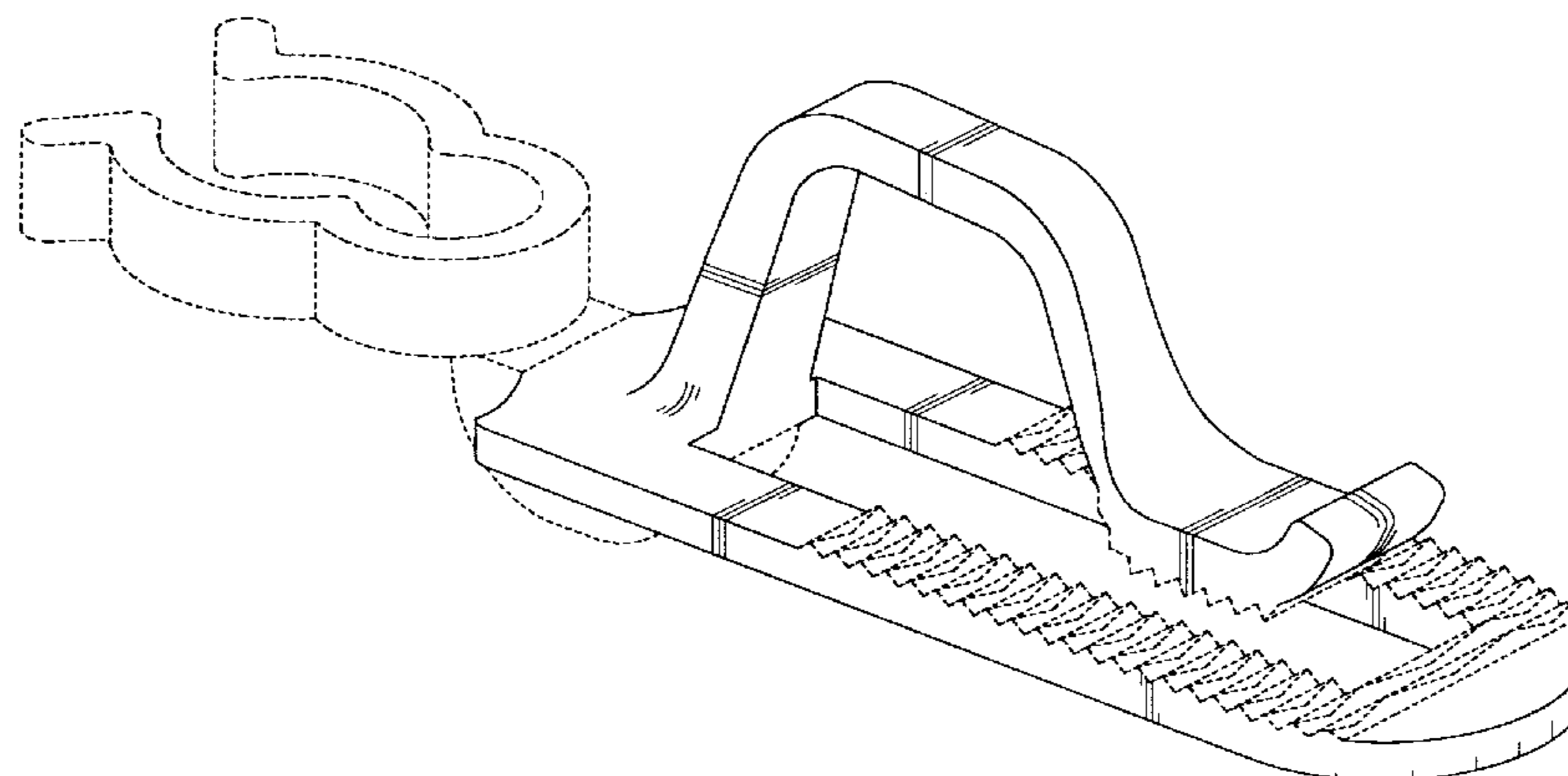
(57) **CLAIM**

The ornamental design for a clip, as shown and described.

**DESCRIPTION**

FIG. 1 is a perspective view of a clip of the new design; FIG. 2 is a front elevational view of the clip of FIG. 1; FIG. 3 is a rear elevational view of the clip of FIG. 1; FIG. 4 is a left side elevational view of the clip of FIG. 1; FIG. 5 is a right side elevational view of the clip of FIG. 1; FIG. 6 is a top plan view of the clip of FIG. 1; and, FIG. 7 is a bottom plan view of the clip of FIG. 1. The portions of the Figures shown in broken lines are not part of the claimed design and are for illustration only.

**1 Claim, 3 Drawing Sheets**



# US D537,330 S

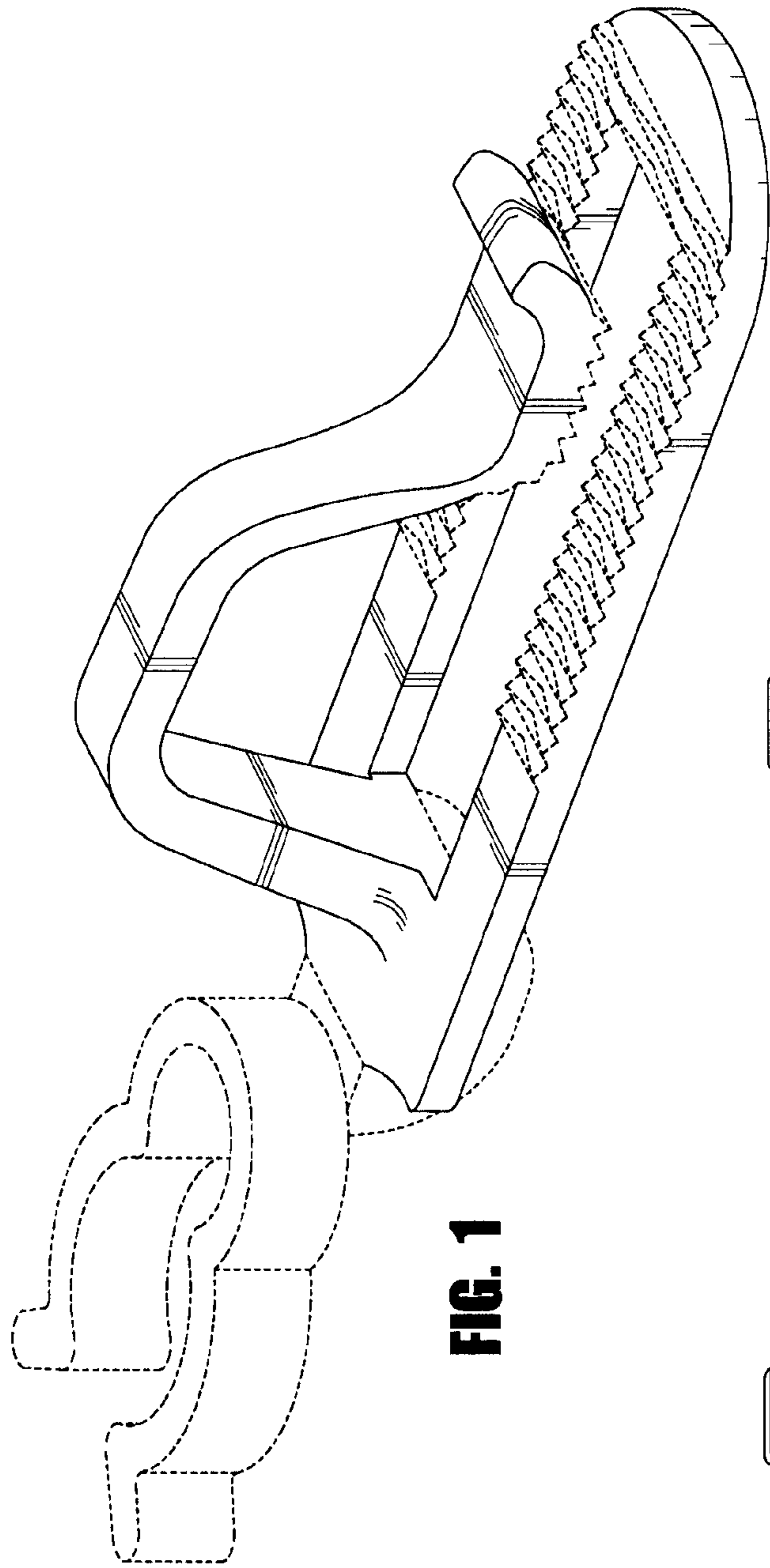
Page 2

---

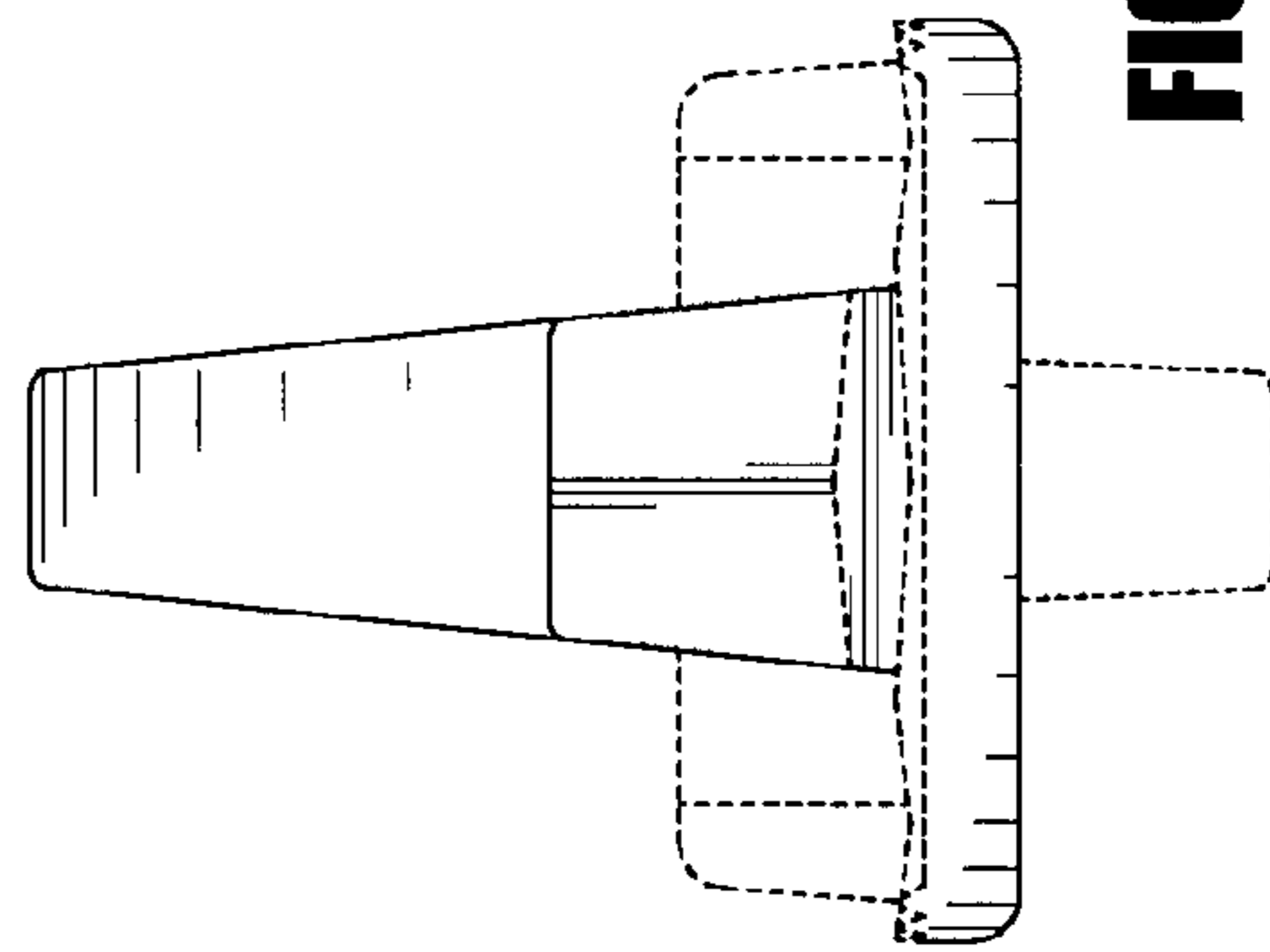
## U.S. PATENT DOCUMENTS

D492,890 S	7/2004	Adams	2005/0017144 A1	1/2005	Jackson et al.
D494,849 S	8/2004	Jones et al.	2005/0072886 A1	4/2005	Adams
6,857,608 B2	2/2005	Avinger	2005/0082454 A1	4/2005	Adams
2003/0198054 A1	10/2003	Adams	2005/0188507 A1	9/2005	Adams et al.
2004/0129846 A1	7/2004	Adams et al.			

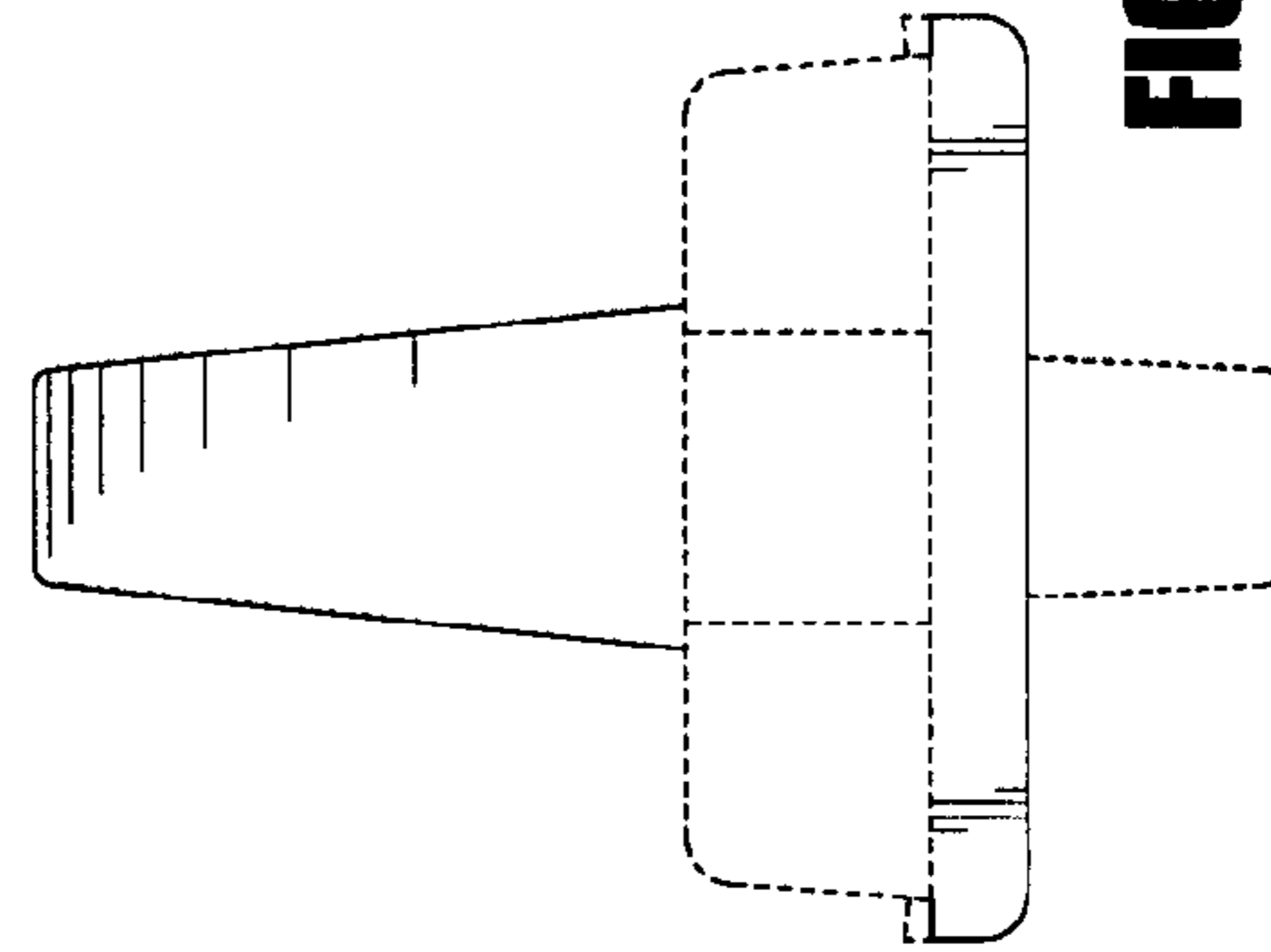
\* cited by examiner



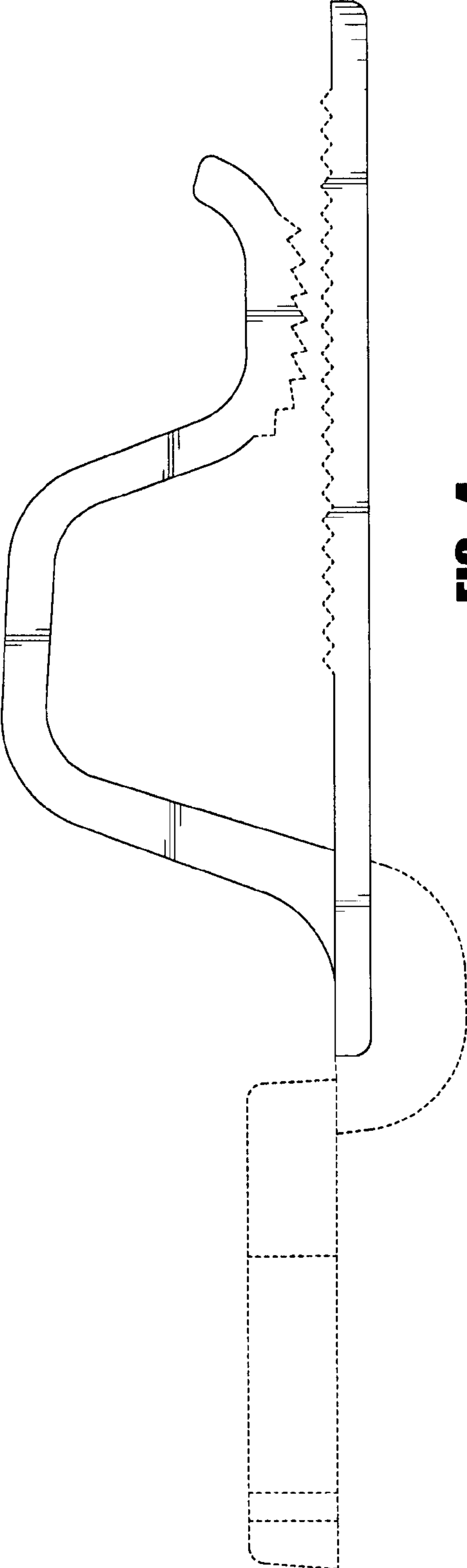
**FIG. 1**



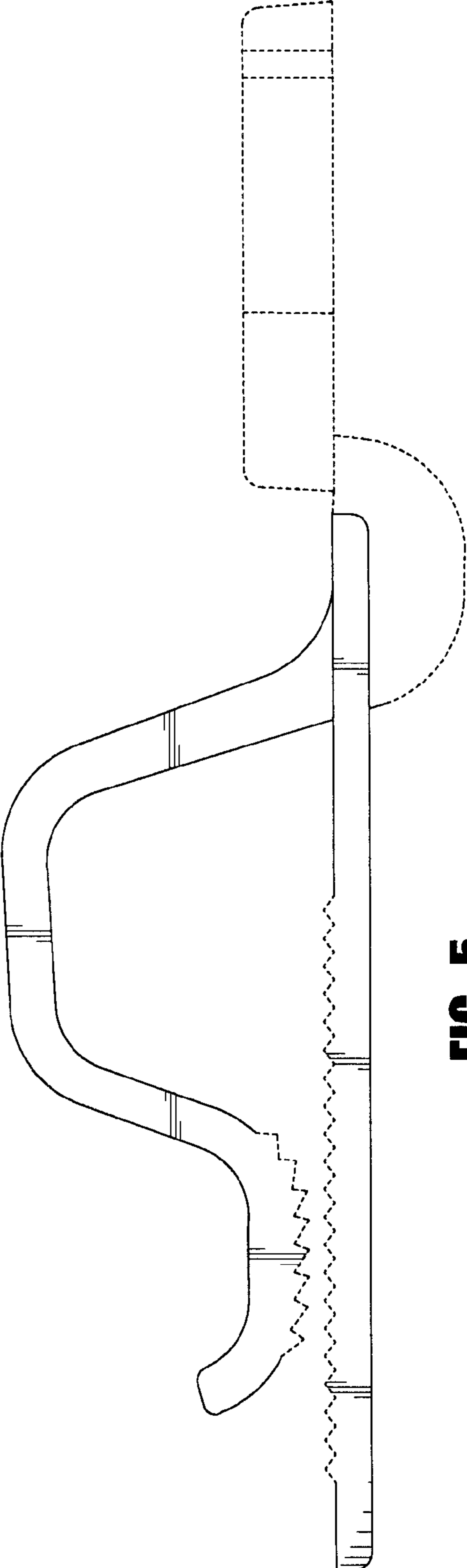
**FIG. 2**



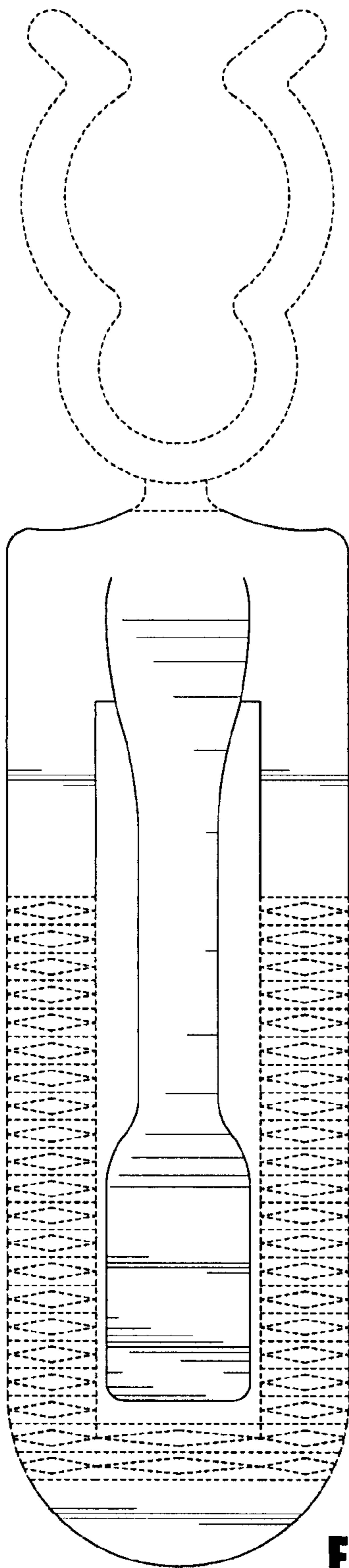
**FIG. 3**



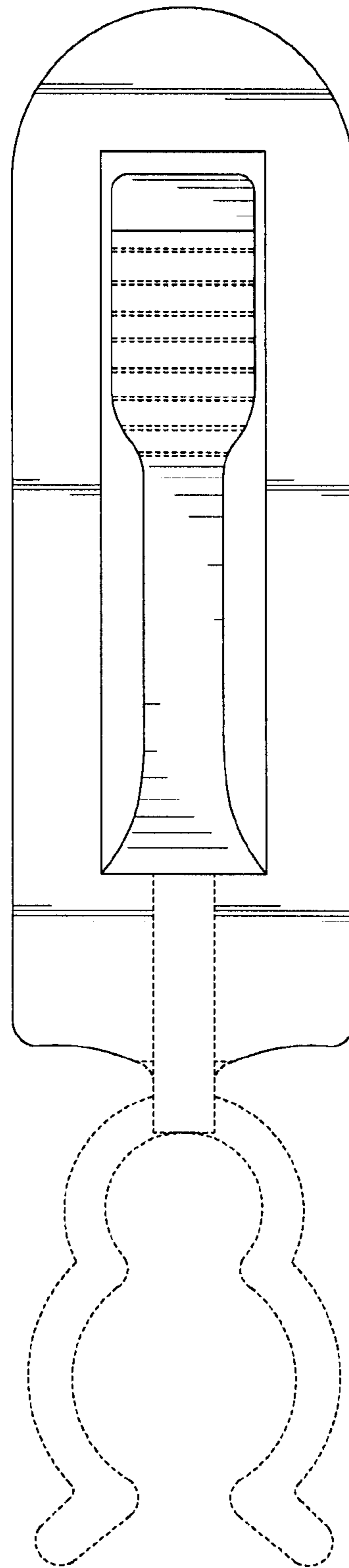
**FIG. 4**



**FIG. 5**



**FIG. 6**



**FIG. 7**