



US00D537327S

(12) **United States Design Patent**  
**Tracy et al.**

(10) **Patent No.:** **US D537,327 S**

(45) **Date of Patent:** **\*\* Feb. 27, 2007**

(54) **ATTACHMENT CLIP**

(75) Inventors: **Richard J. Tracy**, Elgin, IL (US);  
**David A. Walsh**, Providence, RI (US)

(73) Assignee: **Illinois Tool Works Inc**, Glenview, IL (US)

(\*\*) Term: **14 Years**

(21) Appl. No.: **29/236,055**

(22) Filed: **Aug. 10, 2005**

(51) **LOC (8) Cl.** ..... **08-08**

(52) **U.S. Cl.** ..... **D8/394**

(58) **Field of Classification Search** ..... D8/356,  
D8/371, 394-396, 499, 53, 100, 365; D12/51;  
D19/65, 90; D28/39, 40, 42; 24/546, 563,  
24/910, 327, 334, DIG. 8, DIG. 9, DIG. 13,  
24/DIG. 28; 248/74.2, 300, 301, 316.7, 229.26  
See application file for complete search history.

(56) **References Cited**

**U.S. PATENT DOCUMENTS**

D224,082 S \* 7/1972 Kolstee, Sr. .... D8/382

D242,524 S \* 11/1976 Washburn ..... D8/371  
4,278,225 A \* 7/1981 Phelps ..... 248/311.3  
D382,470 S \* 8/1997 Lu ..... D8/394  
D455,337 S \* 4/2002 Maruoka ..... D8/383

\* cited by examiner

*Primary Examiner*—Louis S. Zarfes

*Assistant Examiner*—John Windmuller

(74) *Attorney, Agent, or Firm*—Paul F. Donovan; Mark W. Croll

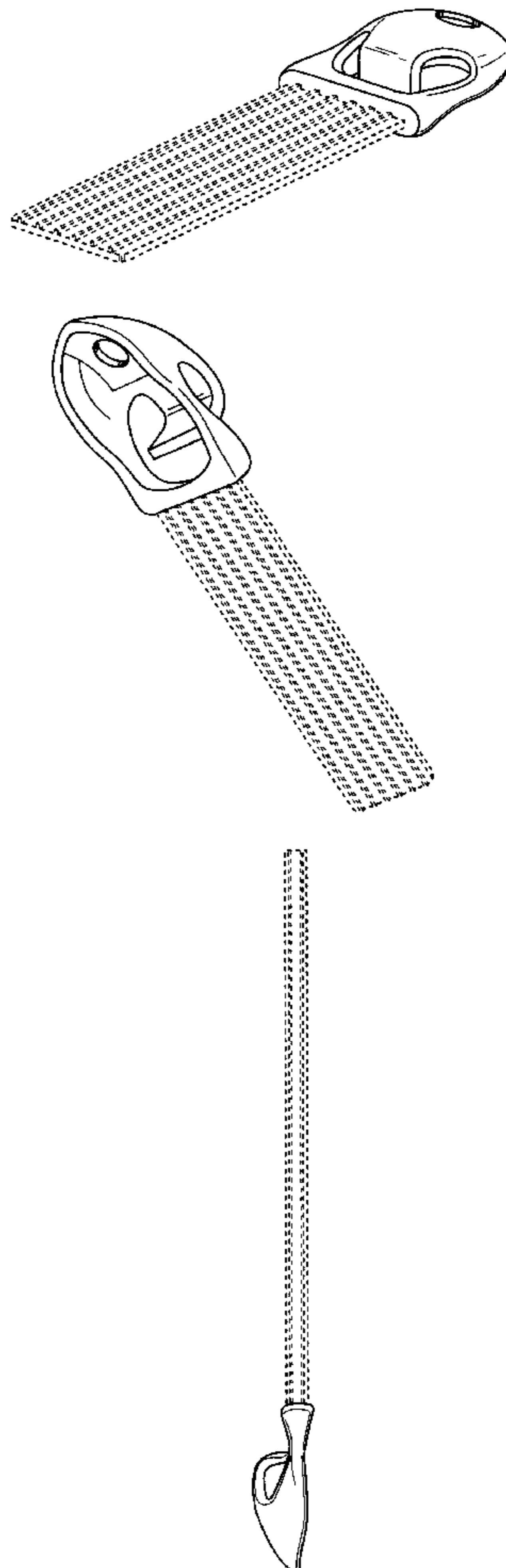
(57) **CLAIM**

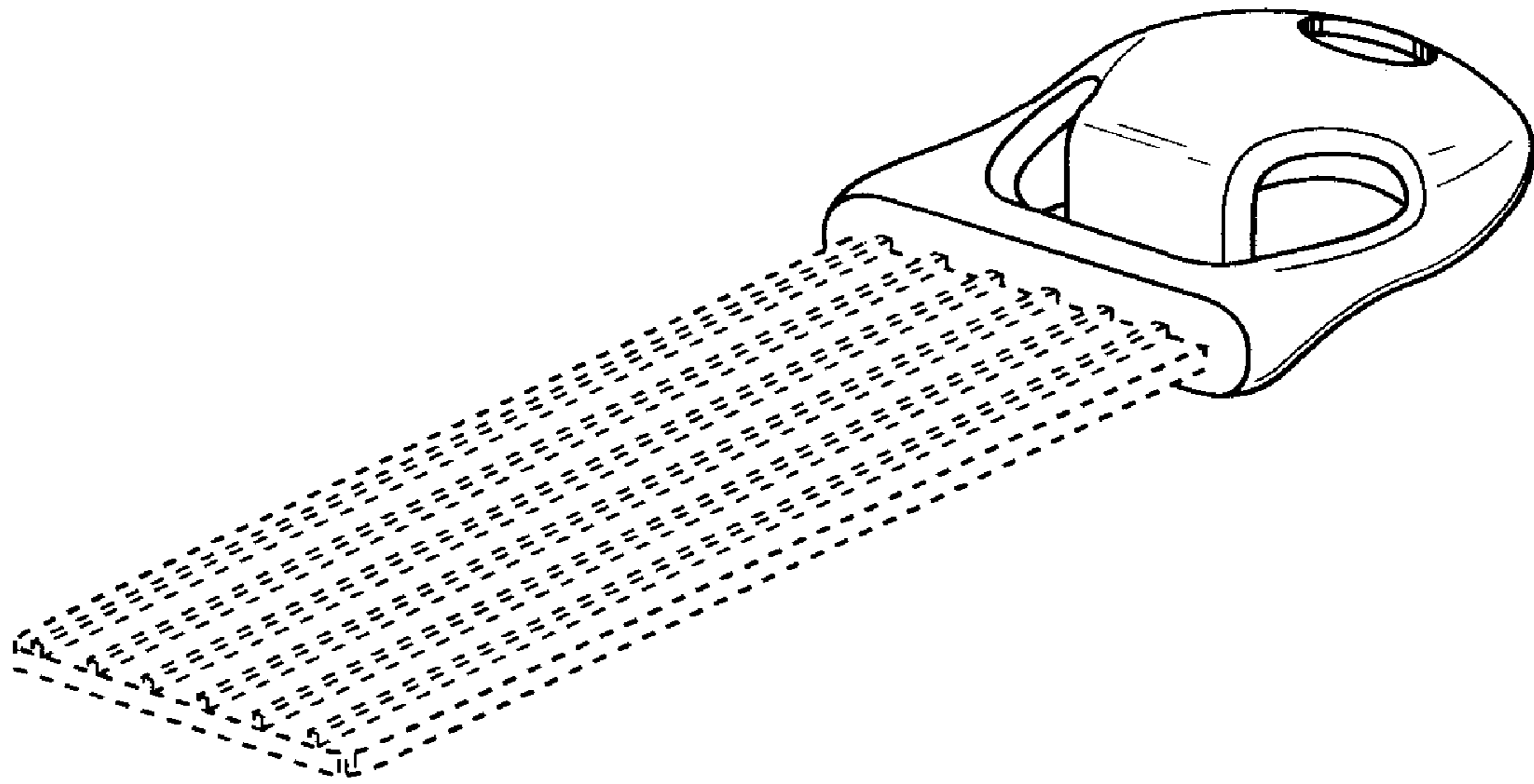
The ornamental design for an attachment clip, as shown and described.

**DESCRIPTION**

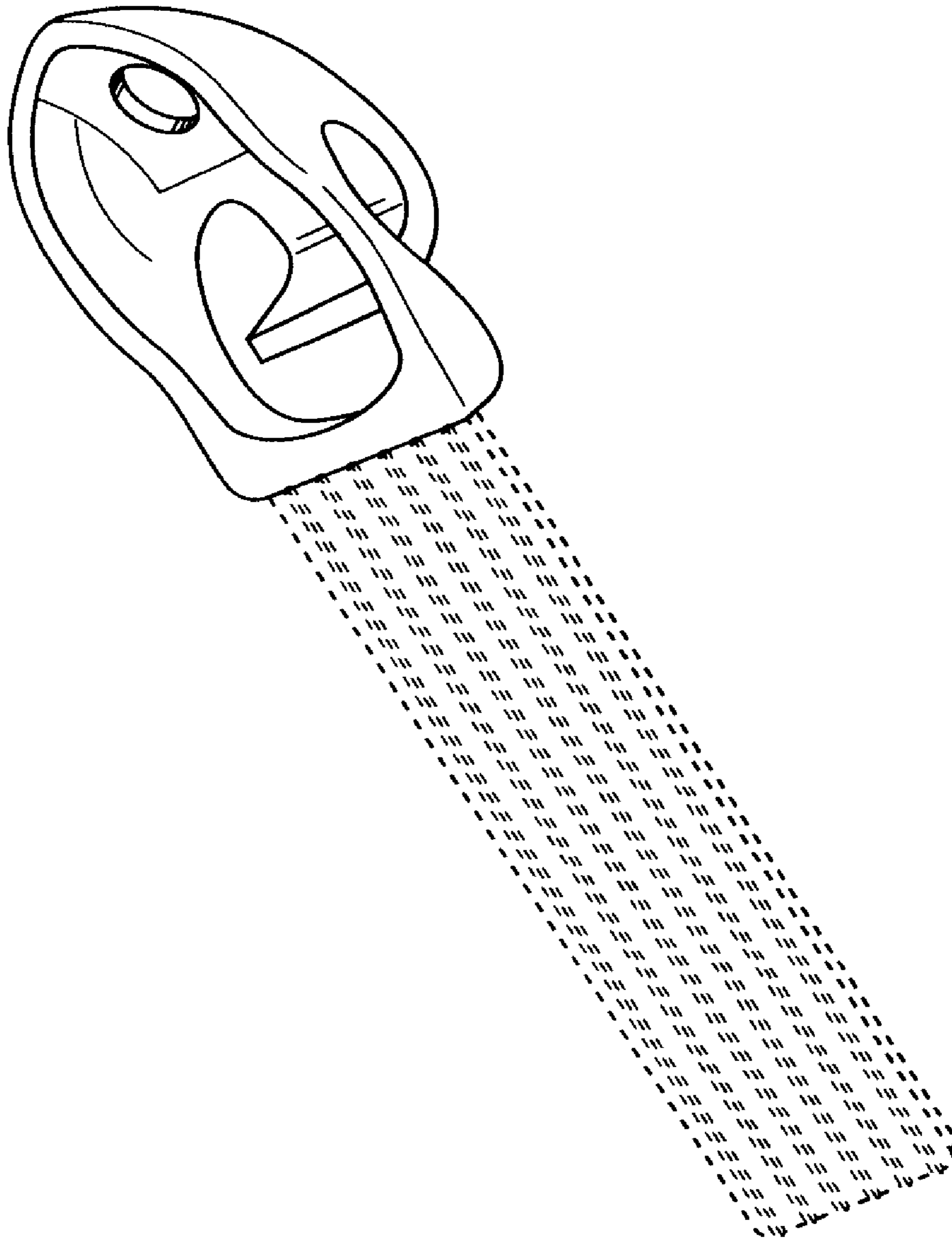
FIG. 1 is a top perspective view of an attachment clip showing our new design;  
FIG. 2 is a bottom perspective view thereof;  
FIG. 3 is a top plan view thereof;  
FIG. 4 is a left side elevational view thereof; and,  
FIG. 5 is a right side elevational view thereof.  
The broken line portions of the disclosure are for illustrative purposes only and form no part of the claimed design.

**1 Claim, 4 Drawing Sheets**

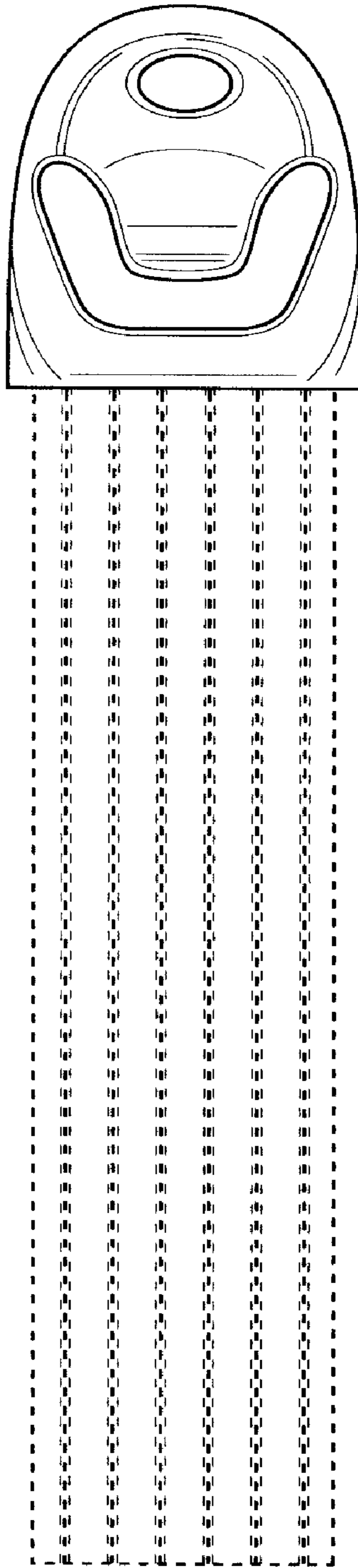




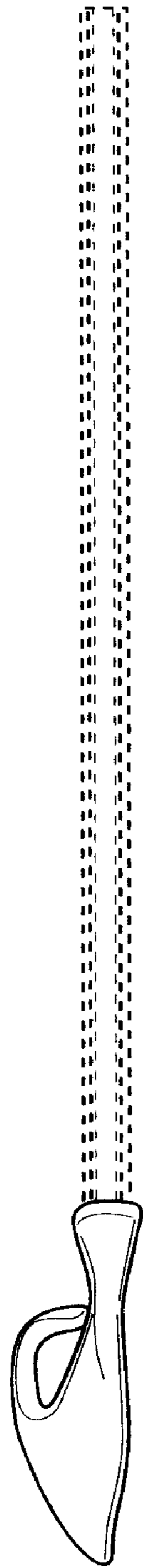
**Fig. 1**



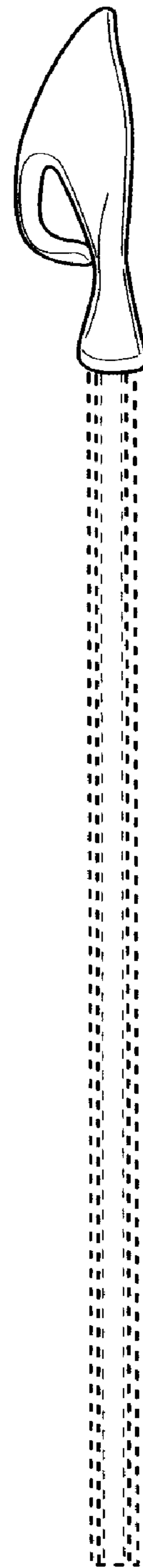
**Fig. 2**



**Fig. 3**



**Fig. 4**



**Fig. 5**