



US00D537324S

(12) **United States Design Patent** (10) **Patent No.:** **US D537,324 S**
Worrall et al. (45) **Date of Patent:** **** Feb. 27, 2007**

(54) **WALL MOUNT**

(75) Inventors: **Raymond Worrall**, West Midlands (GB); **Mark Short**, West Midlands (GB); **Kenneth Gary Nicholls**, West Midlands (GB)

(73) Assignee: **AVF Group Limited**, Telford (GB)

(**) Term: **14 Years**

(21) Appl. No.: **29/257,441**

(22) Filed: **Apr. 3, 2006**

Related U.S. Application Data

(63) Continuation of application No. 29/244,318, filed on Dec. 7, 2005.

Foreign Application Priority Data

Aug. 17, 2005 (EM) 000388244

(51) **LOC (8) Cl.** **08-05**

(52) **U.S. Cl.** **D8/363**

(58) **Field of Classification Search** D8/363, D8/373; D14/209, 224, 229, 238; 248/240, 248/278.1, 280.11, 284.1, 291.1, 309.1, 316.4
See application file for complete search history.

(56) **References Cited**

U.S. PATENT DOCUMENTS

D218,016 S	*	7/1970	Hogrebe	D8/363
D349,640 S	*	8/1994	Whitaker	D8/363
D352,652 S	*	11/1994	Vogels	D8/363
D406,228 S	*	3/1999	Vogels	D8/363
D411,098 S	*	6/1999	Vogels	D8/363
D488,708 S	*	4/2004	Lam et al.	D8/363

* cited by examiner

Primary Examiner—Holly H. Baynham

(74) *Attorney, Agent, or Firm*—Wells St. John P.S.

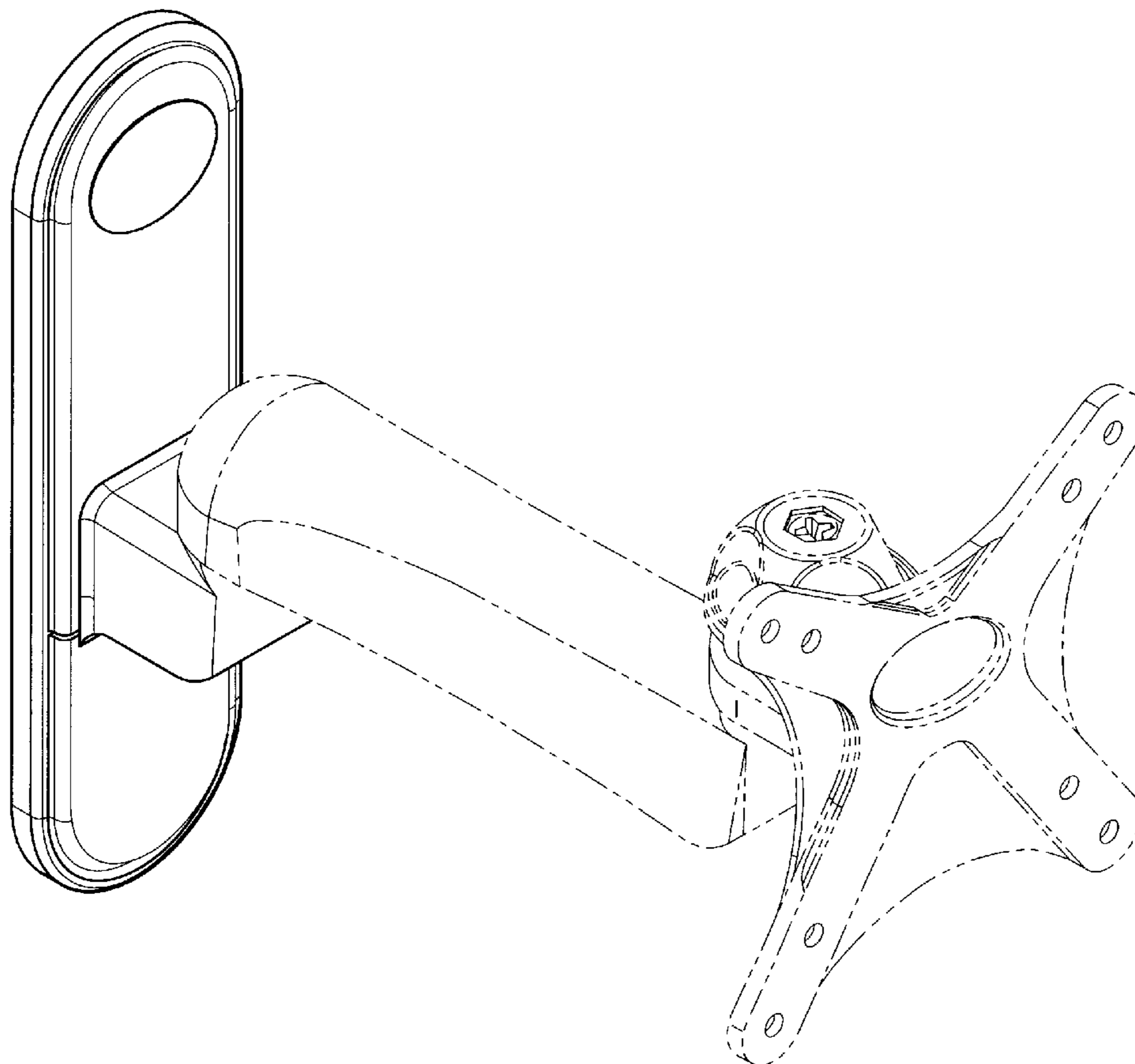
(57) **CLAIM**

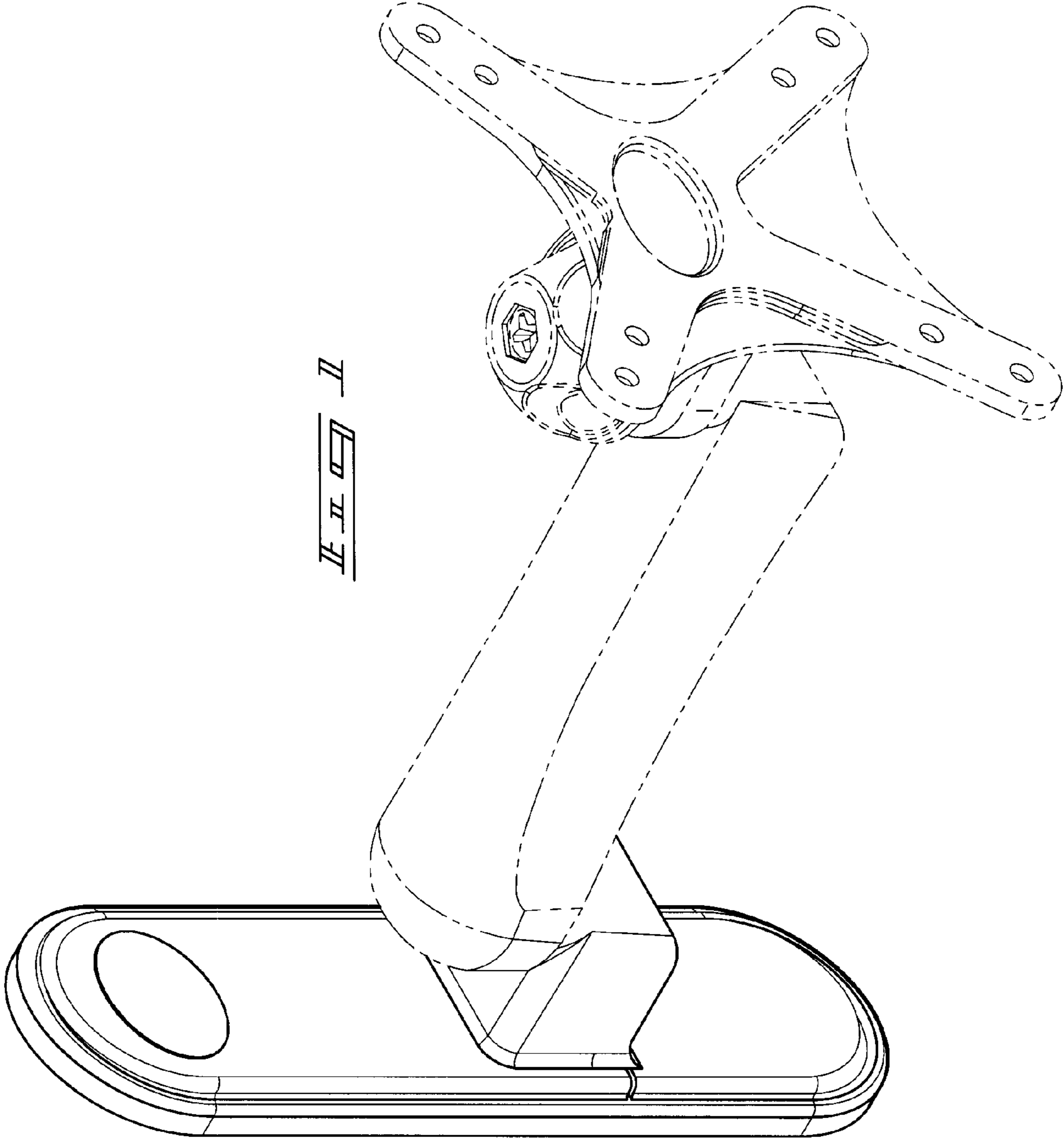
The ornamental design for a wall mount, as shown and described.

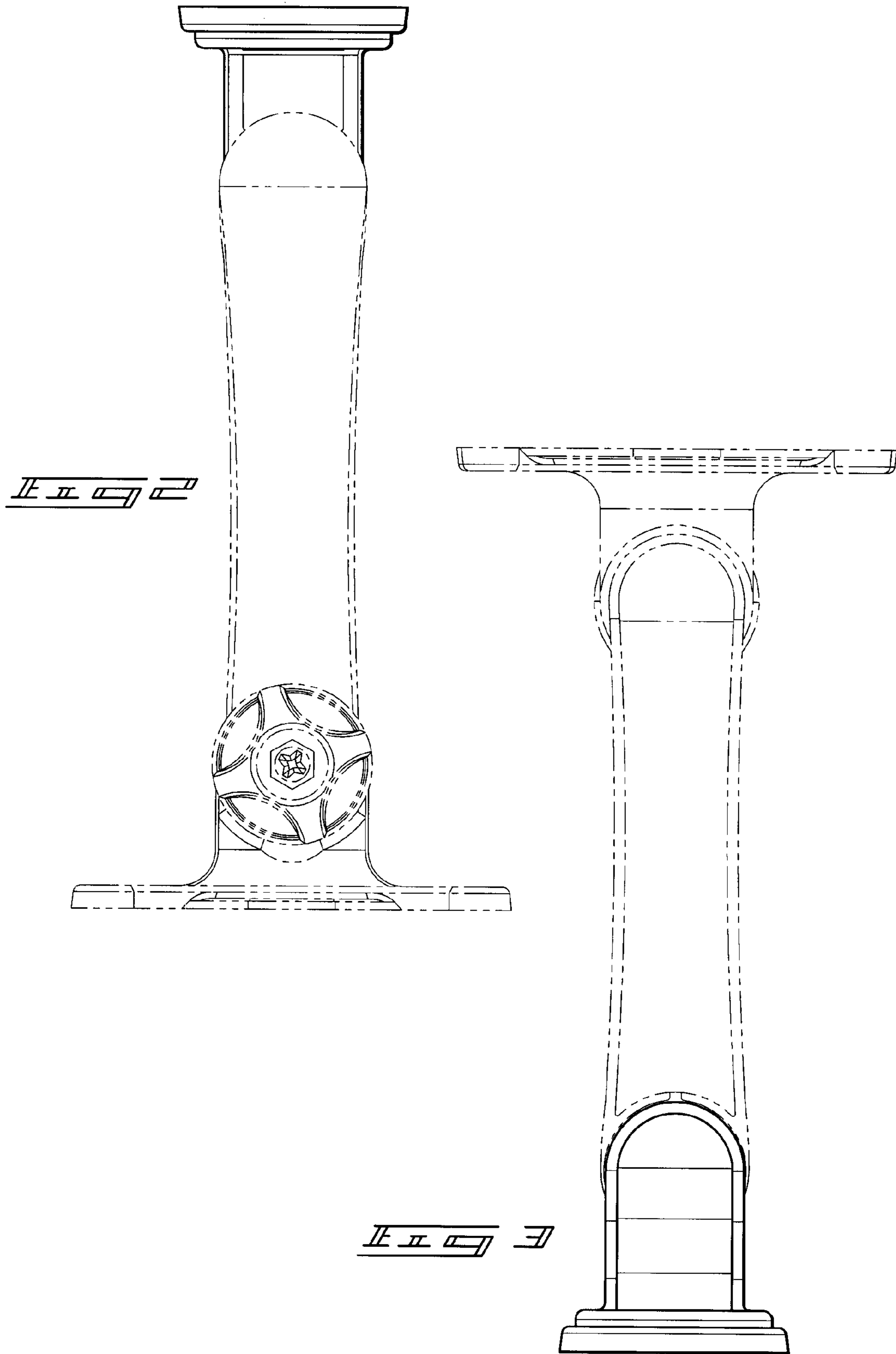
DESCRIPTION

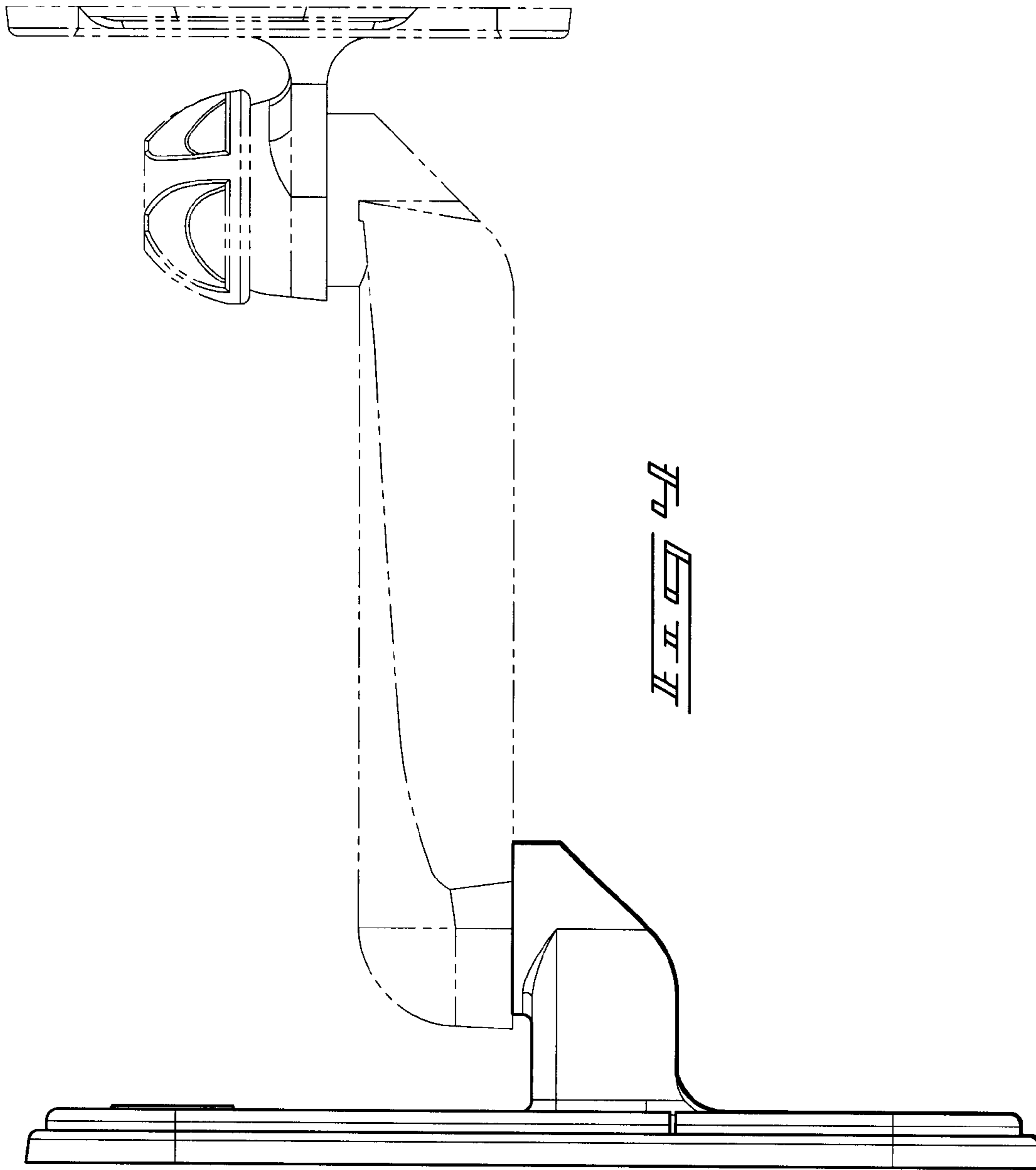
FIG. 1 is a front perspective view of the wall mount; FIG. 2 is a top plan view of the wall mount; FIG. 3 is an underneath plan view of the wall mount; FIG. 4 is a side view of the wall mount; FIG. 5 is a rear view of the wall mount; and, FIG. 6 is a front view of the wall mount. The broken lines shown in all Figures are for illustrative purposes only and form no part of the claimed design.

1 Claim, 4 Drawing Sheets









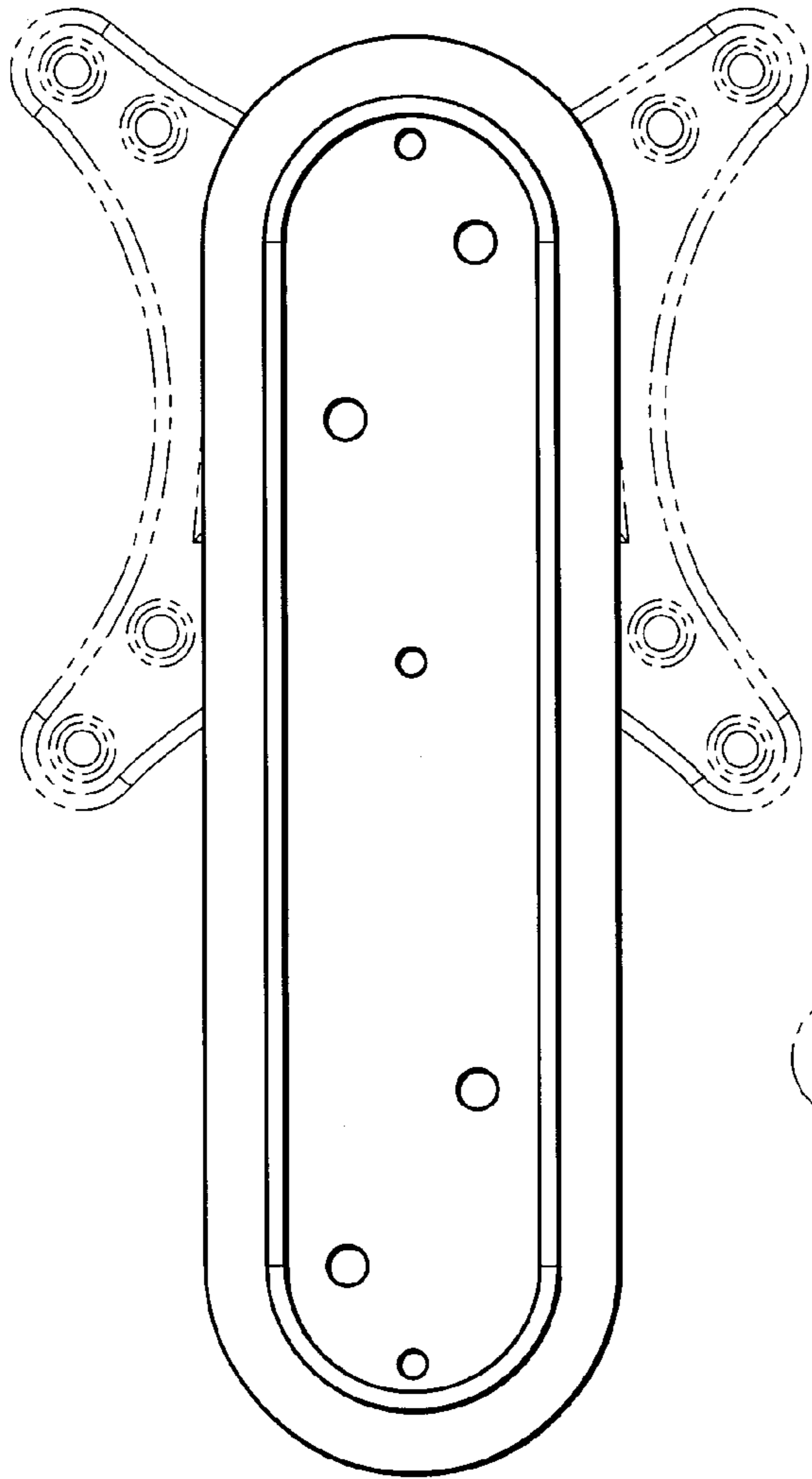


Fig. 5

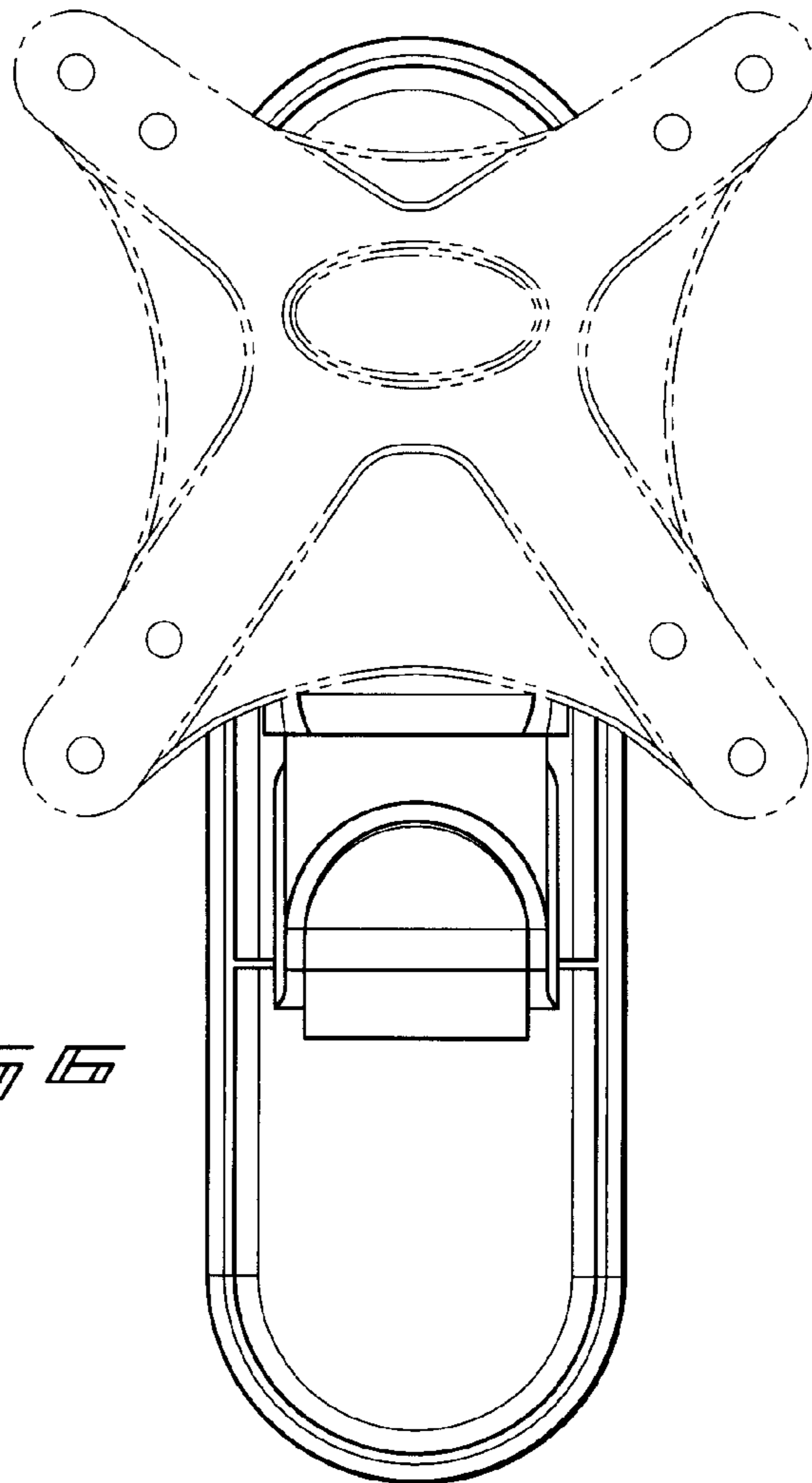


Fig. 6