



US00D537323S

(12) **United States Design Patent** (10) **Patent No.:** **US D537,323 S**
Saez (45) **Date of Patent:** **** Feb. 27, 2007**

(54) **DEVICE SUPPORT ARM**

(74) *Attorney, Agent, or Firm*—Alston & Bird LLP

(75) Inventor: **Manuel Saez**, Brooklyn, NY (US)

(57) **CLAIM**

(73) Assignee: **Humanscale Corporation**, Piscataway, NJ (US)

The ornamental design for a device support arm, as shown and described.

(**) Term: **14 Years**

DESCRIPTION

(21) Appl. No.: **29/231,951**

FIG. 1 is a side view of the device support arm embodying the present invention, wherein the arm is in a raised, extended position;

(22) Filed: **Jun. 10, 2005**

FIG. 2 is a bottom perspective view of the device support arm in a raised, extended position;

(51) **LOC (8) Cl.** **08-05**

(52) **U.S. Cl.** **D8/363; D14/452**

FIG. 3 is a side view of the device support arm in a raised, folded position;

(58) **Field of Classification Search** D8/363, D8/380; D14/451–452, 214, 224; 248/309.1, 248/284.1, 280.11, 279.1, 286.1

See application file for complete search history.

FIG. 4 is a side view of the rear-facing side of the device support arm shown in FIG. 3;

FIG. 5 is a bottom, front perspective view of the device support arm in a raised, folded position;

(56) **References Cited**

U.S. PATENT DOCUMENTS

5,743,503 A	4/1998	Voeller et al.	
5,947,429 A	9/1999	Sweere et al.	
5,992,809 A	11/1999	Sweere et al.	
6,012,693 A	1/2000	Voeller et al.	
6,015,120 A	1/2000	Sweere et al.	
D423,745 S	4/2000	Theis et al.	
6,076,785 A	6/2000	Oddsens, Jr.	
D435,107 S	12/2000	Blair et al.	
D435,852 S	1/2001	Oddsens, Jr.	
6,419,196 B1	7/2002	Sweere et al.	
6,736,364 B2	5/2004	Oddsens, Jr.	
D494,183 S	8/2004	Wills et al.	
D496,367 S *	9/2004	Pfister	D14/451
6,915,994 B2	7/2005	Oddsens, Jr.	
D508,917 S	8/2005	Wills et al.	
6,935,883 B2	8/2005	Oddsens, Jr.	

FIG. 6 is a side view of the device support arm in a lowered, extended position;

FIG. 7 is a top perspective view of the device support arm in a lowered, extended position;

FIG. 8 is a side view of the device support arm in a lowered, folded position;

FIG. 9 is a top, front perspective view of the device support arm in a lowered, folded position;

FIG. 10 is a bottom, rear perspective view of the device support arm in a lowered, folded position;

FIG. 11 is a side view of the device support arm in a raised, extended position attached to a post at one end and having a device attachment bracket attached to the opposite end;

and,

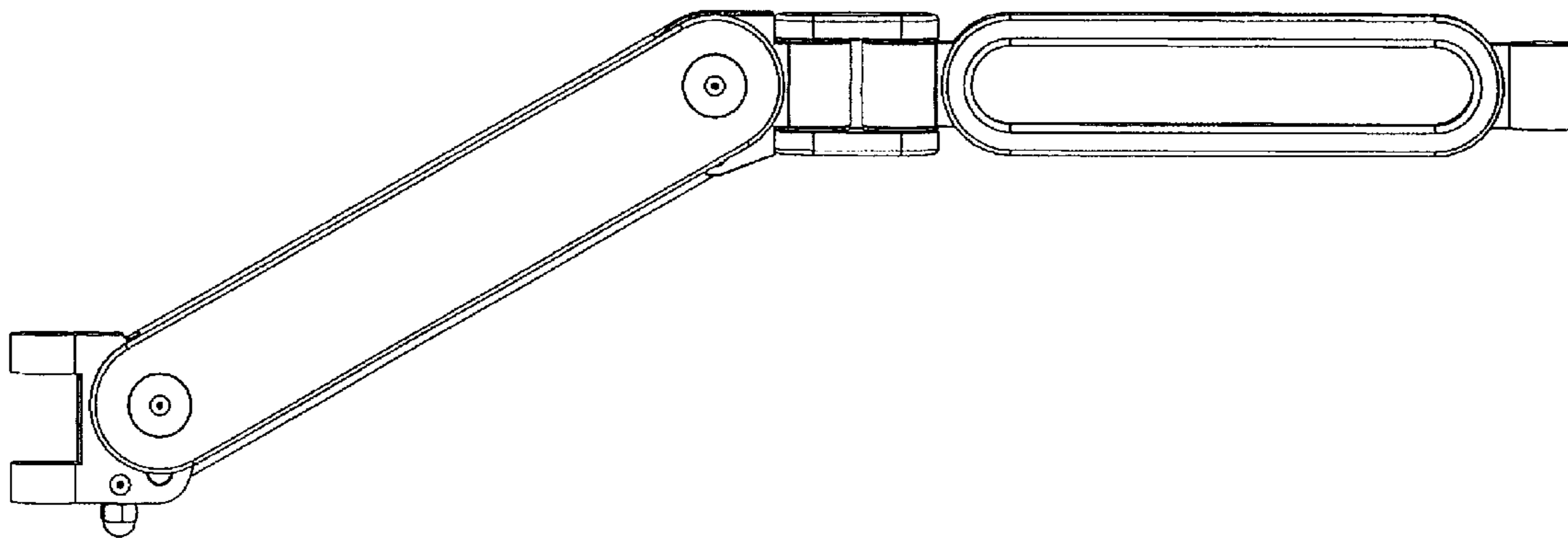
FIG. 12 is a side view of the device support arm in a raised, folded position attached to a post at one end and having a device attachment bracket attached to the opposite end.

The broken lines shown herein are for illustrative purposes only and form no part of the claimed design.

* cited by examiner

Primary Examiner—Holly H. Baynham

1 Claim, 12 Drawing Sheets



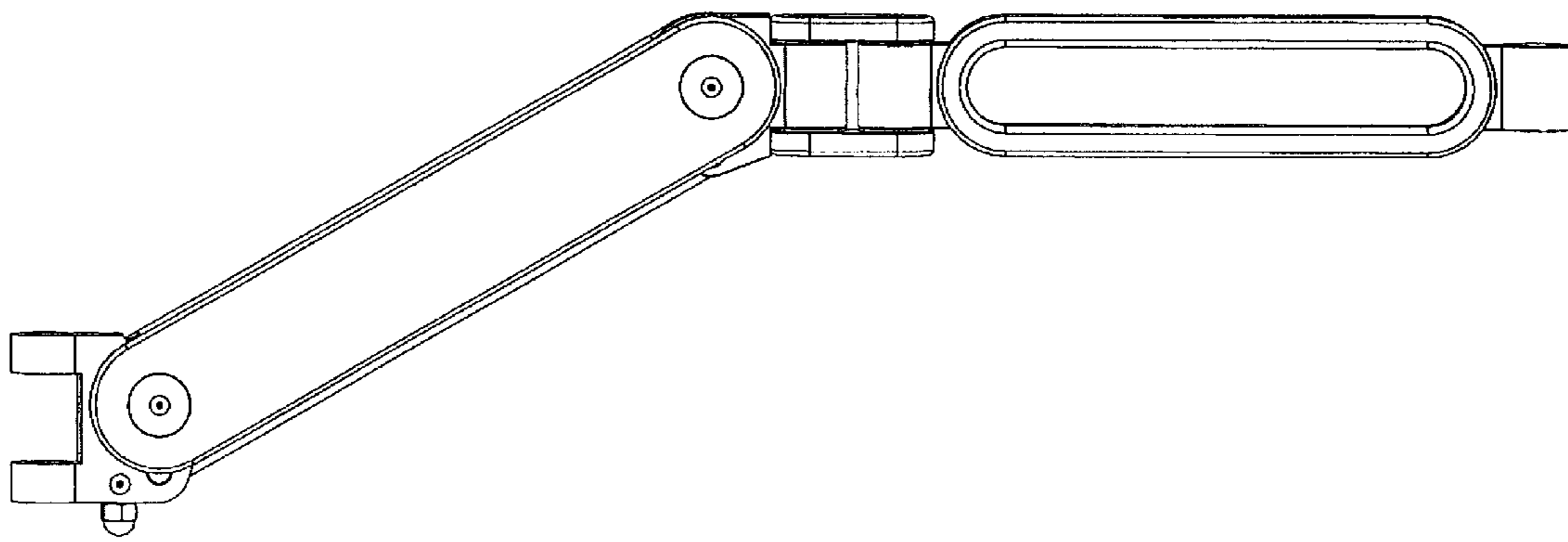


FIGURE 1

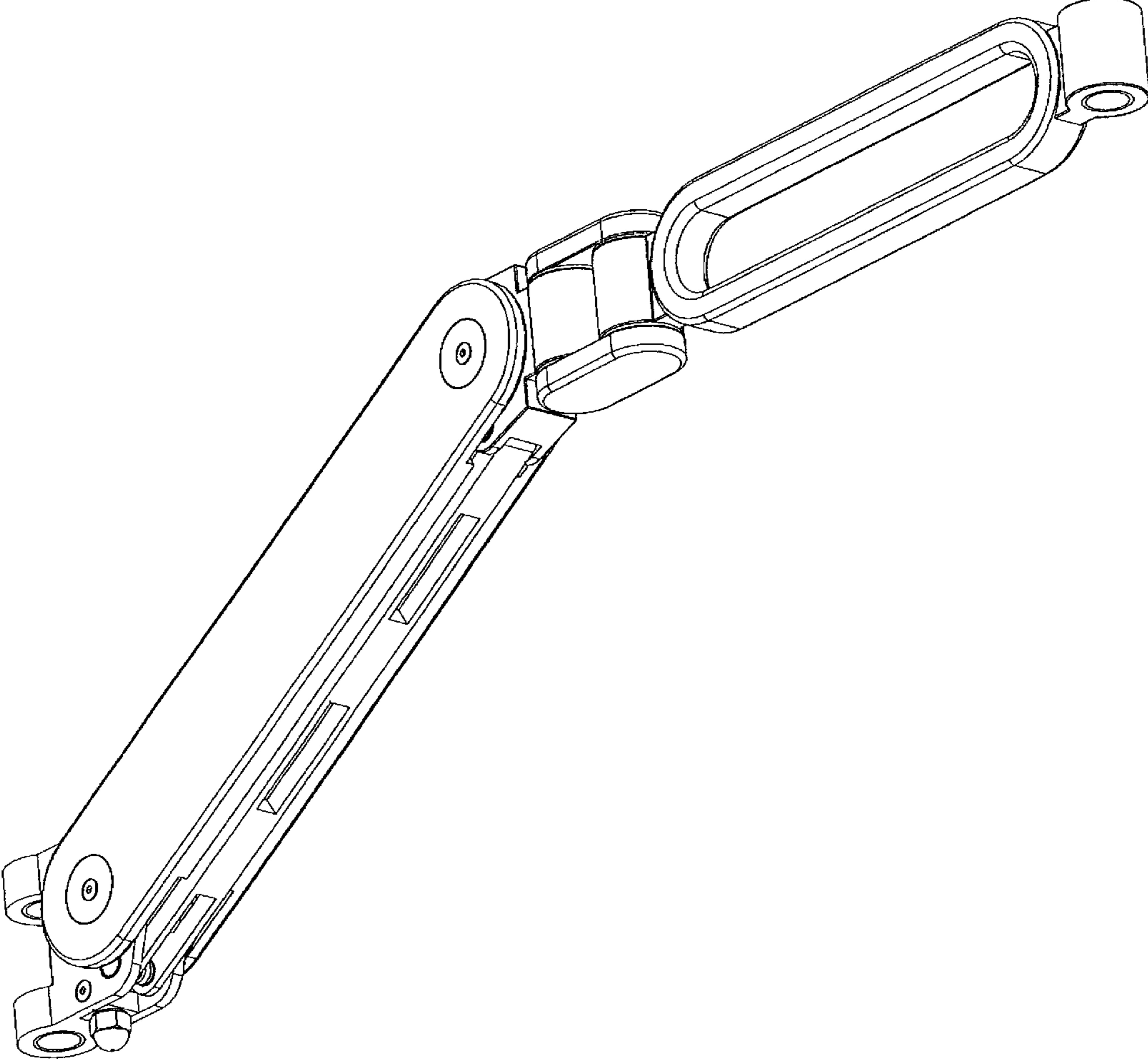


FIGURE 2

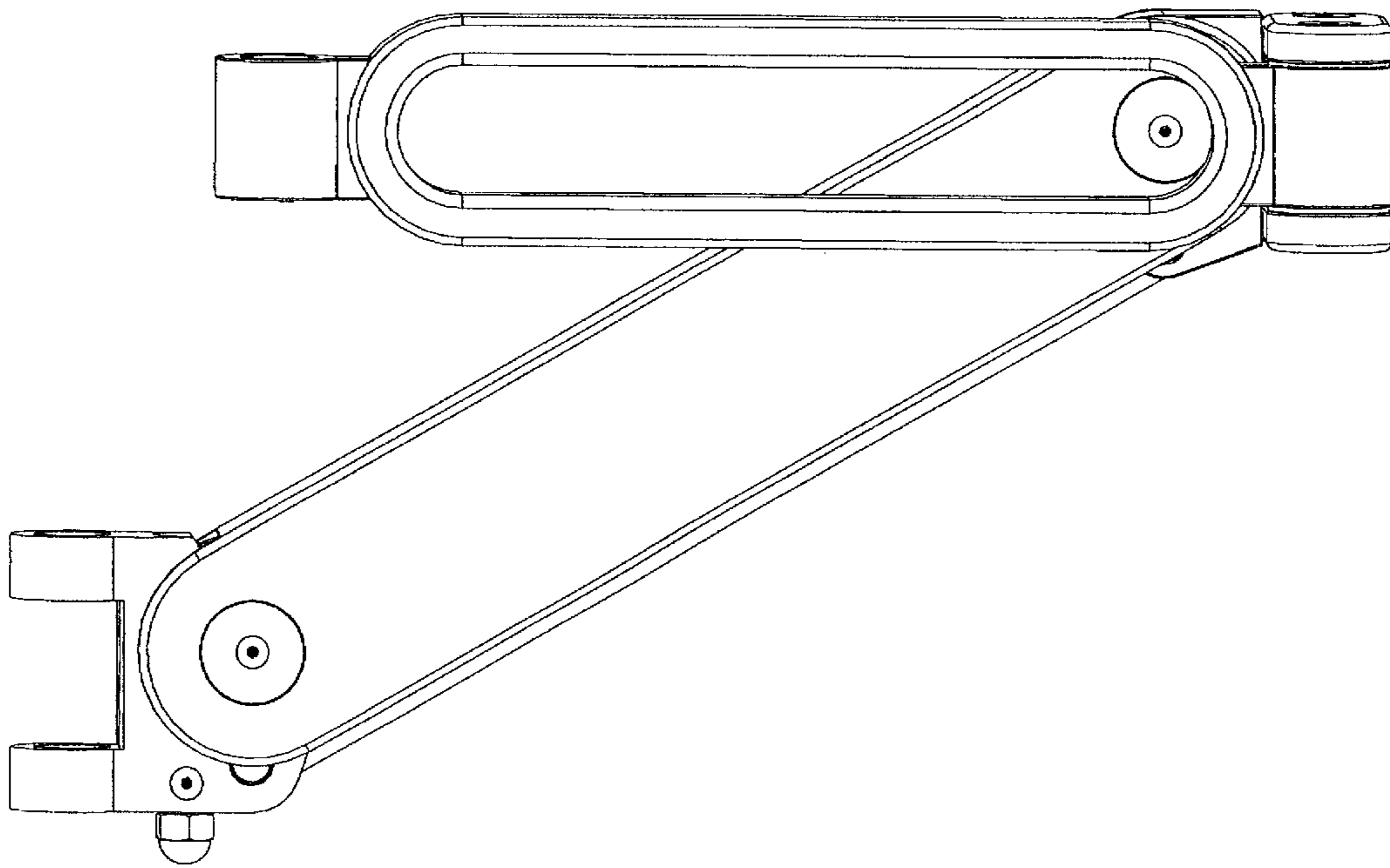


FIGURE 3

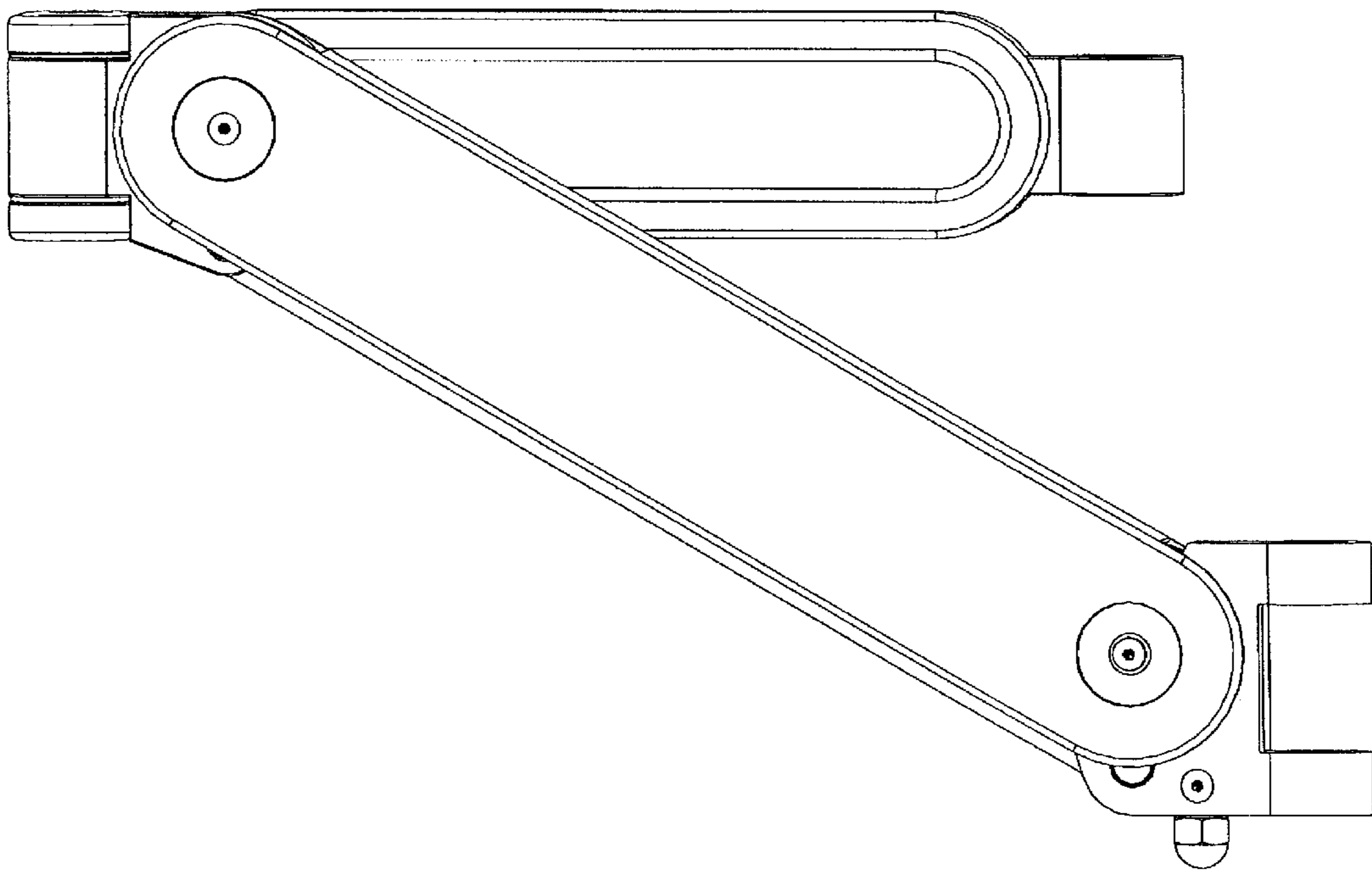


FIGURE 4

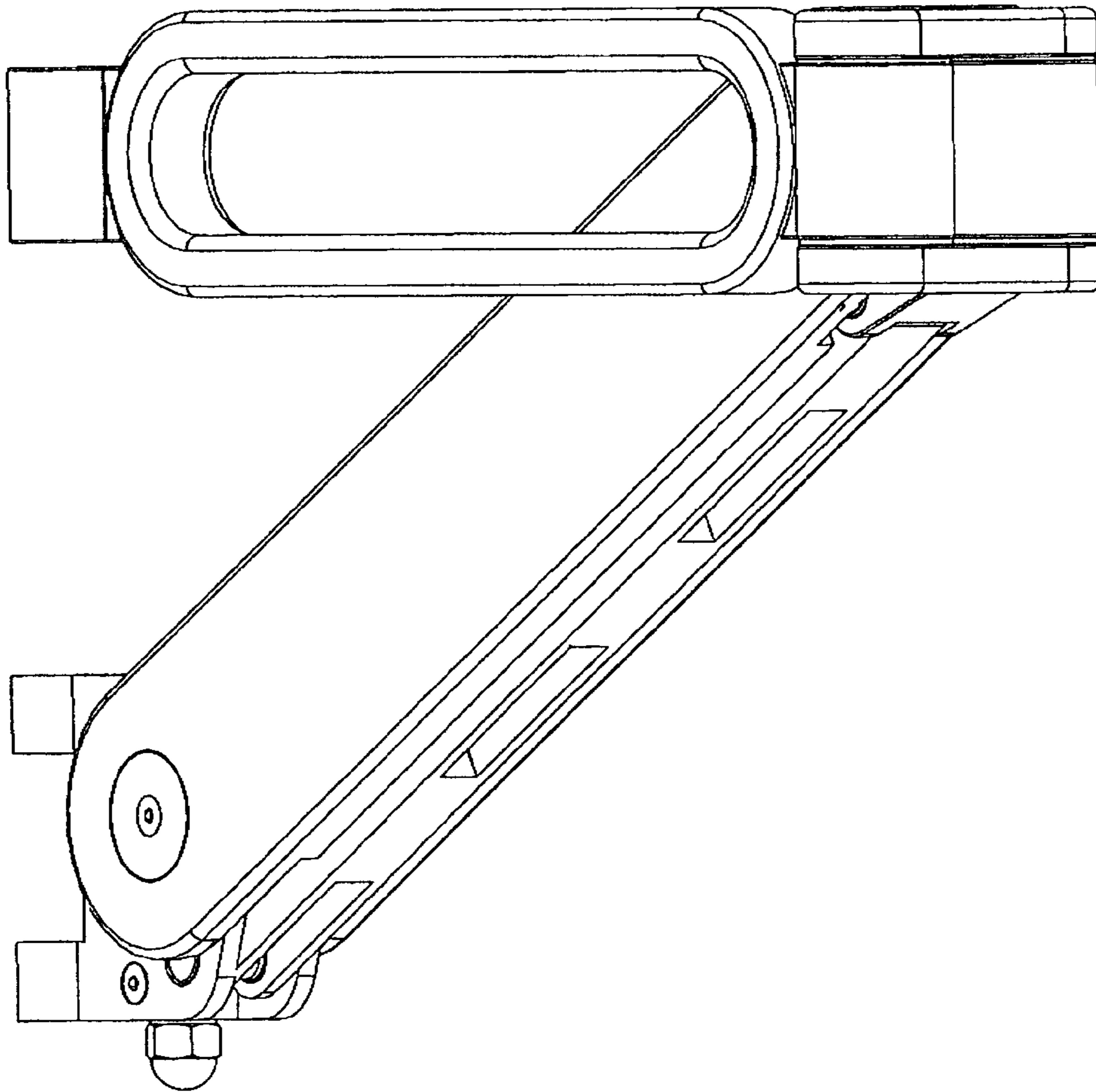


FIGURE 5

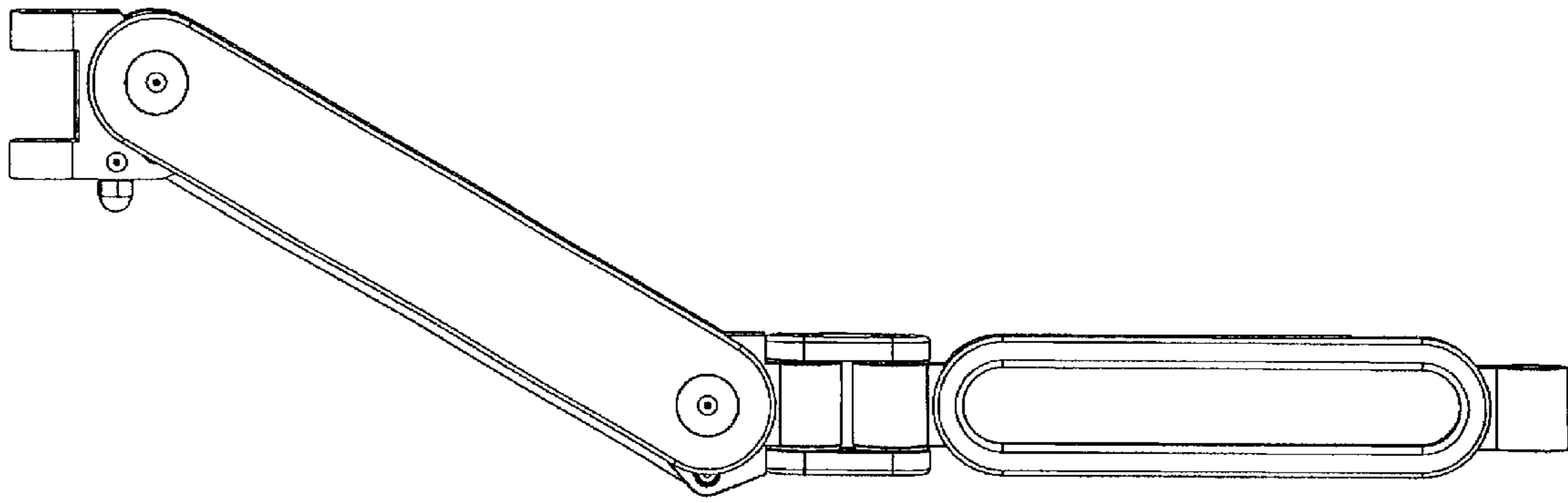


FIGURE 6

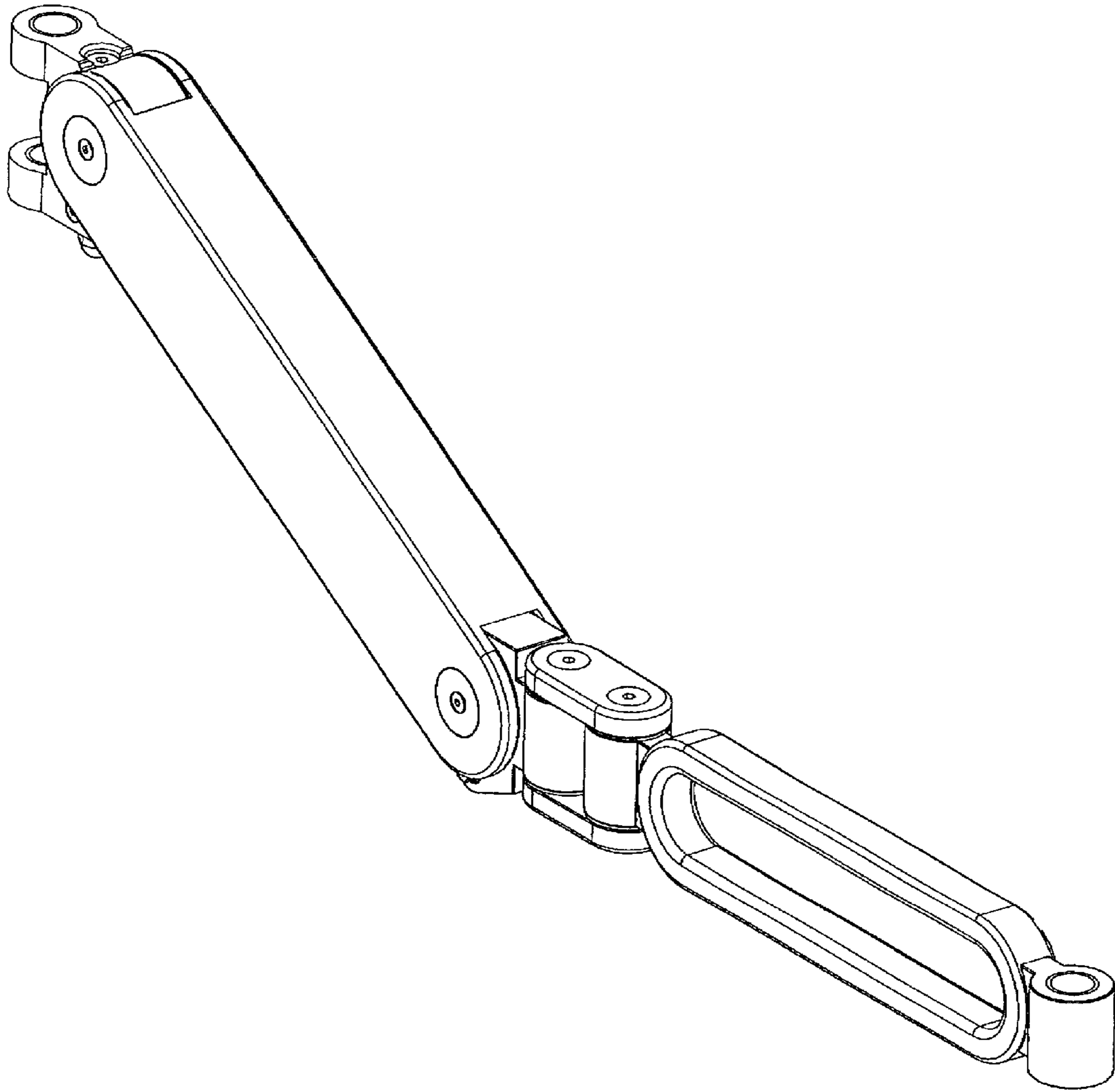


FIGURE 7

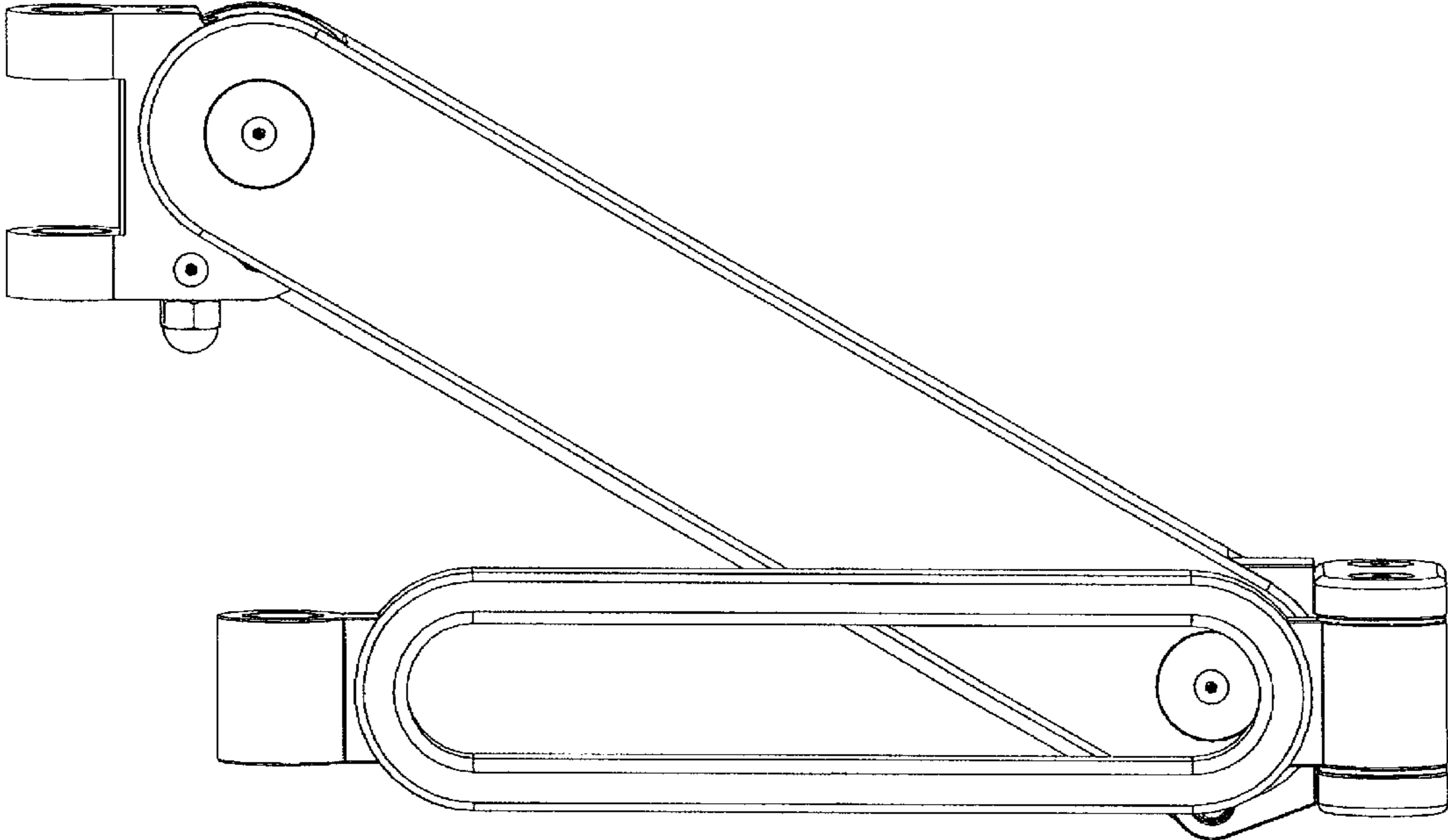


FIGURE 8

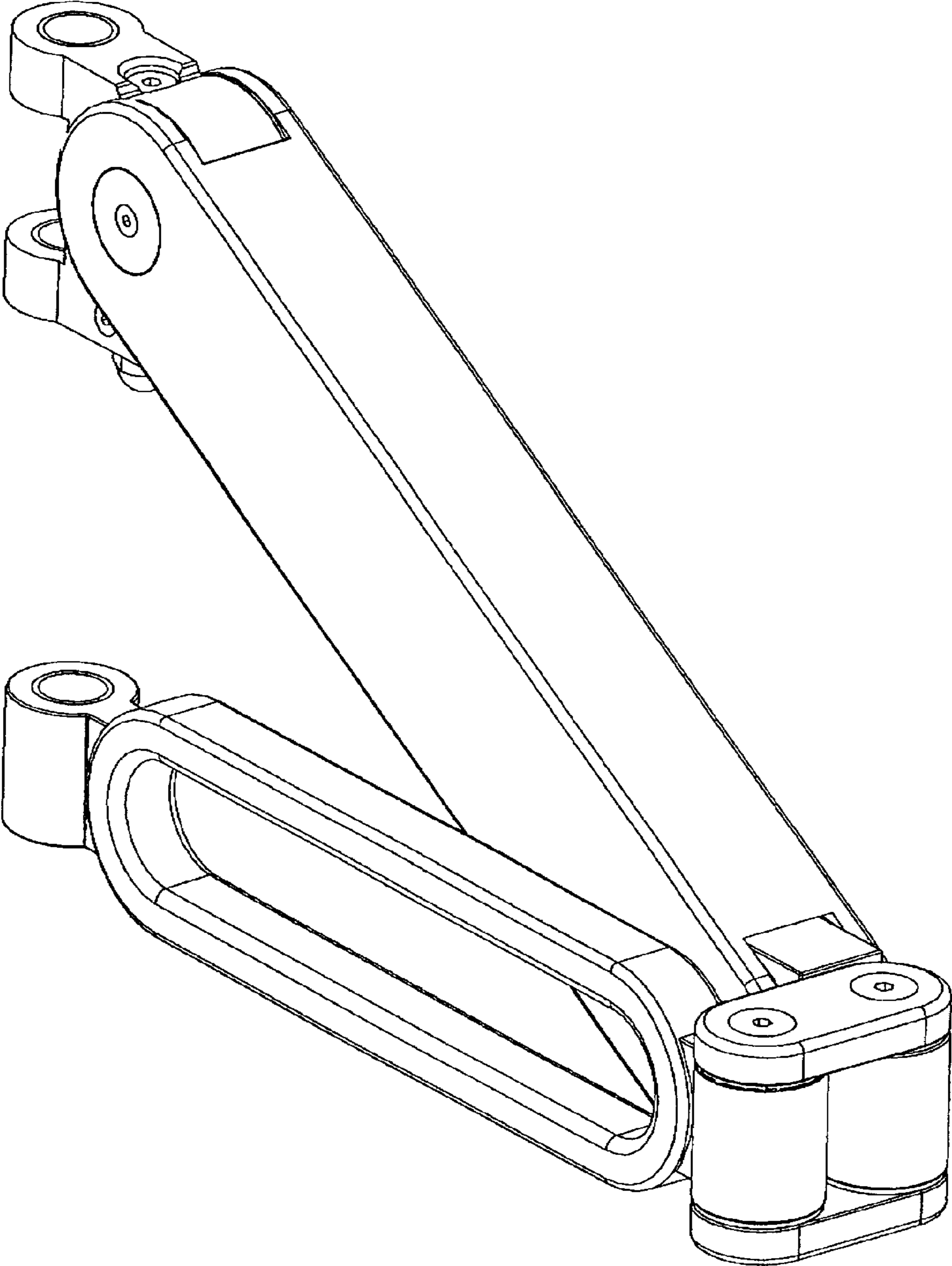


FIGURE 9

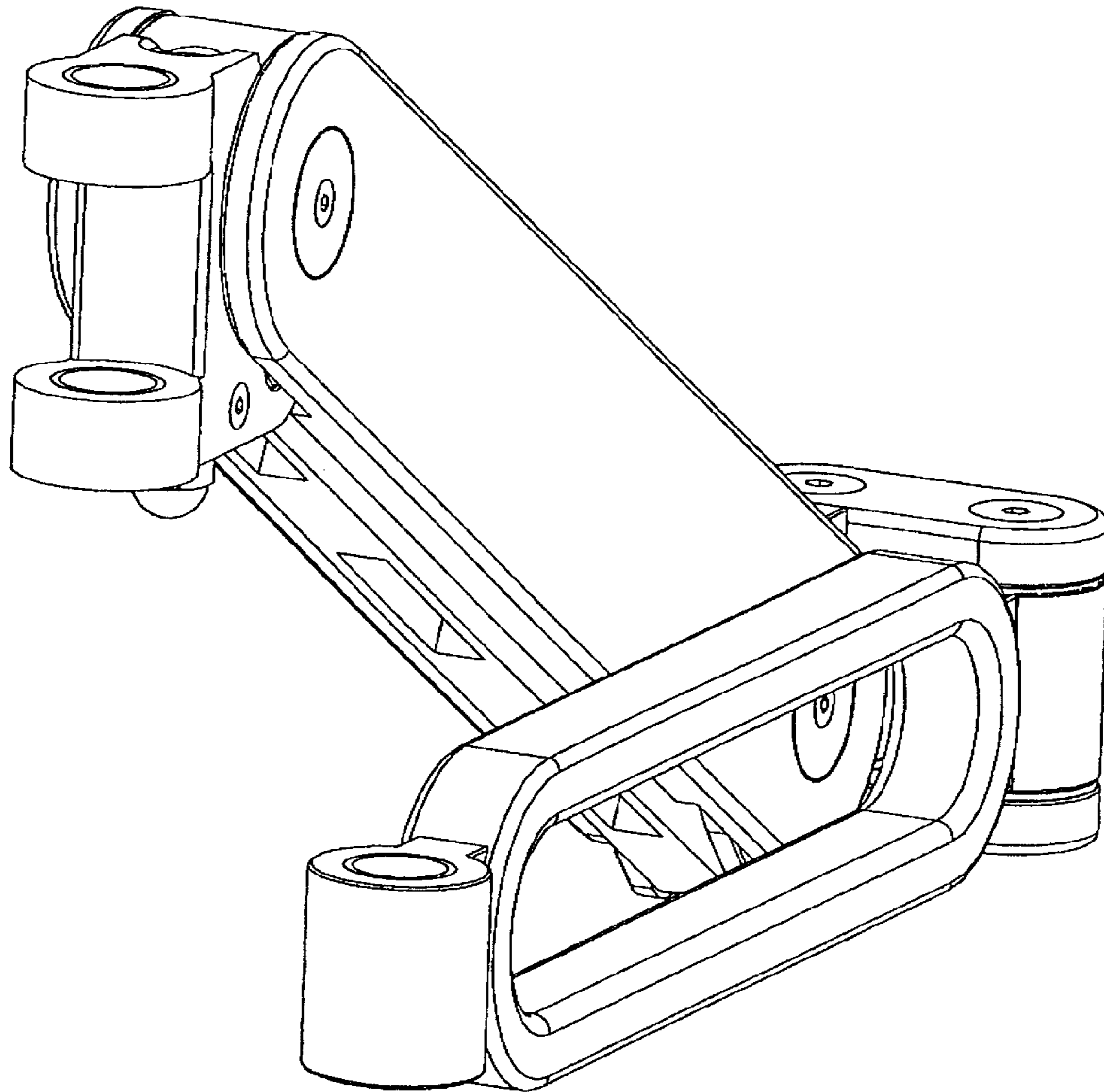


FIGURE 10

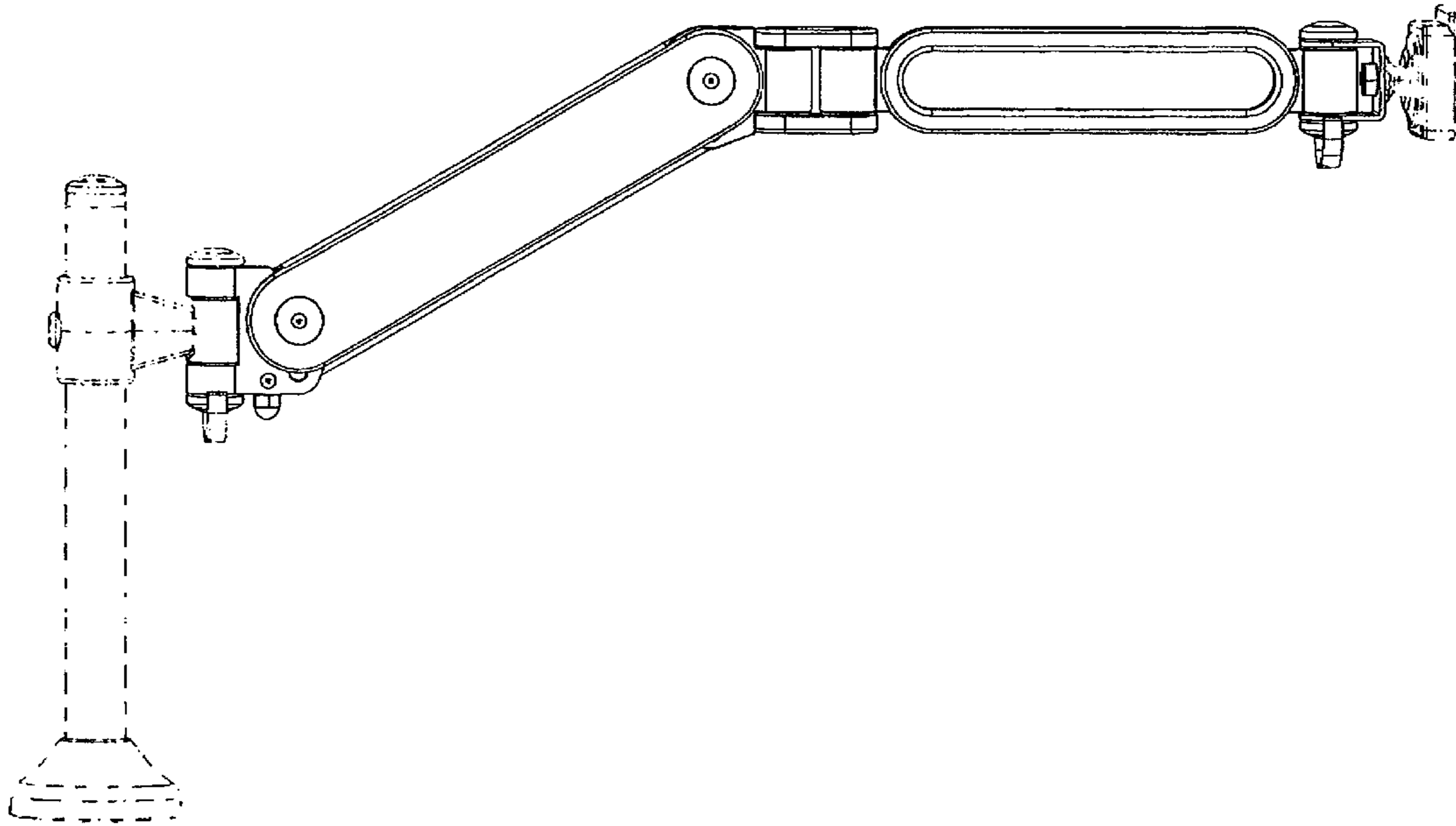


FIGURE 11

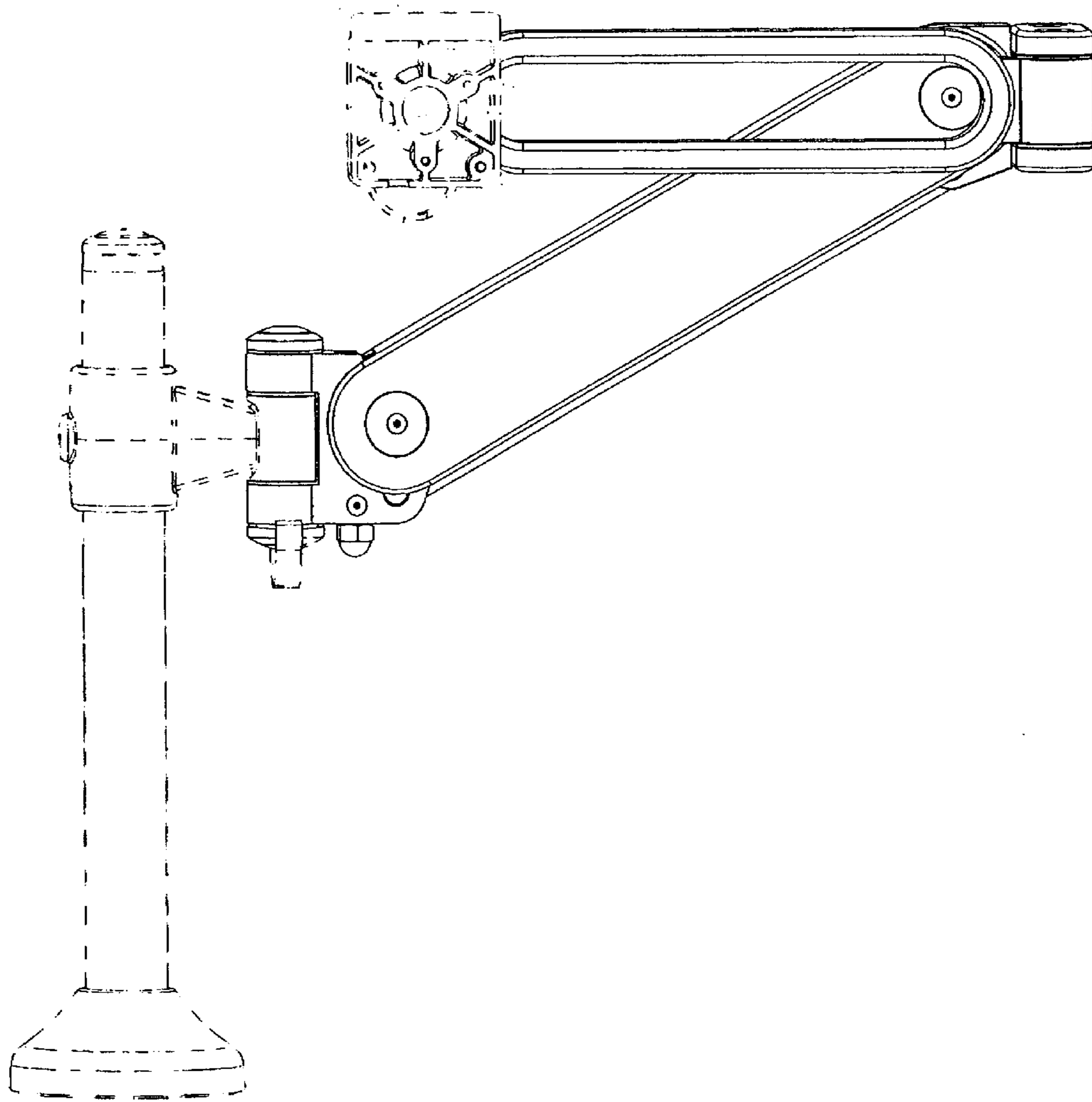


FIGURE 12