



US00D537322S

(12) **United States Design Patent**
Tassakos et al.

(10) **Patent No.:** **US D537,322 S**
(45) **Date of Patent:** **** Feb. 27, 2007**

(54) **SUPPORT FOR AN OPTICAL TRANSMITTER AND/OR RECEIVER**

(76) Inventors: **Charalambos Tassakos**, Drischerstrasse 66, D-52146 Wuerselen (DE); **Andreas Demopoulos**, 18 Marley Fields, Leighton Buzzard. Beds I.U 74 WL (GB)

(**) Term: **14 Years**

(21) Appl. No.: **29/189,182**

(22) Filed: **Sep. 2, 2003**

(30) **Foreign Application Priority Data**

Mar. 5, 2003 (DE) 403 01 904

(51) **LOC (8) Cl.** **08-05**

(52) **U.S. Cl.** **D8/349**

(58) **Field of Classification Search** D8/349, D8/354, 380; 248/200, 300

See application file for complete search history.

(56) **References Cited**

U.S. PATENT DOCUMENTS

4,801,118 A * 1/1989 Wium 248/300

5,577,695 A * 11/1996 Ruckwardt 248/200

5,926,151 A * 7/1999 Hagiwara et al. 343/882

* cited by examiner

Primary Examiner—Holly H. Baynham

(57) **CLAIM**

The ornamental design for the support for an optical transmitter and/or receiver, as shown and described.

DESCRIPTION

FIG. 1 shows a first environmental perspective view of the support in accordance with the invention;

FIG. 2 shows a second environmental perspective view of the support in accordance with the invention;

FIG. 3 shows a third environmental view of the support in accordance with the invention;

FIG. 4 shows a side view of the support in accordance with the invention;

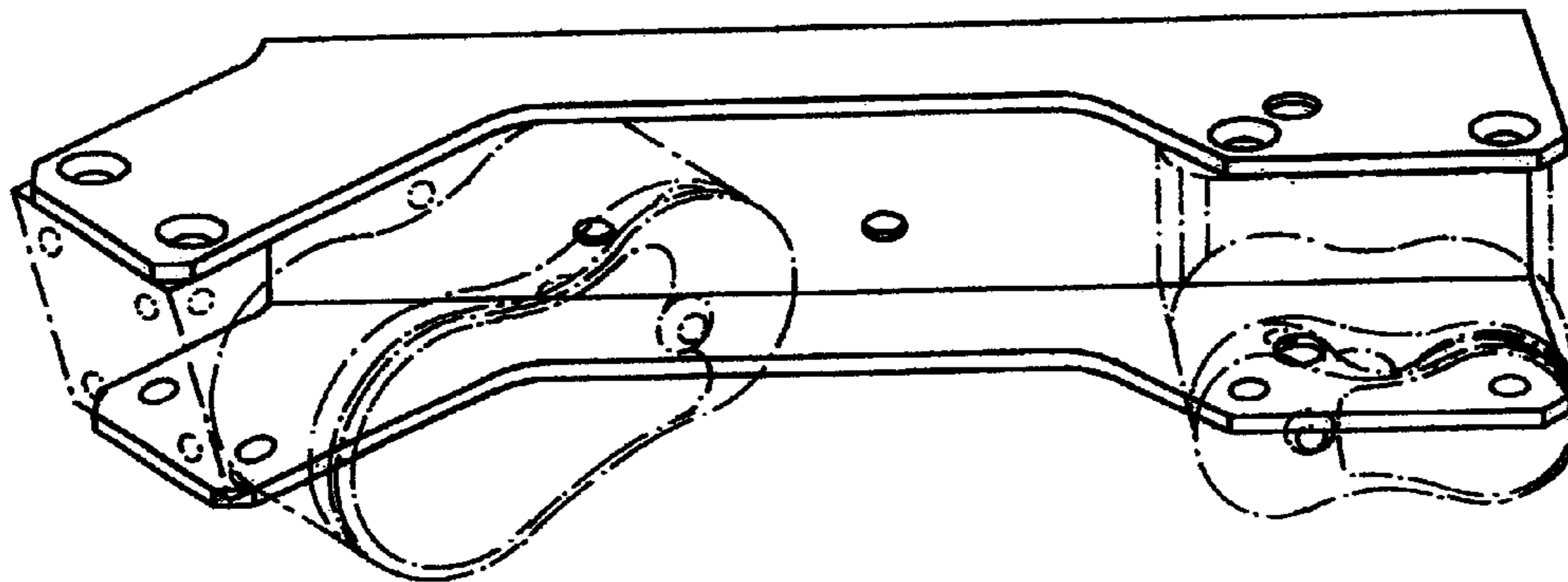
FIG. 5 shows a fourth environmental perspective view of the support in accordance with the invention;

FIG. 6 shows a second side view of the support in accordance with the invention; and,

FIG. 7 shows a top view of the support in accordance with the invention.

The broken line showing is for illustrative purposes only and forms no part of the claimed design.

1 Claim, 3 Drawing Sheets



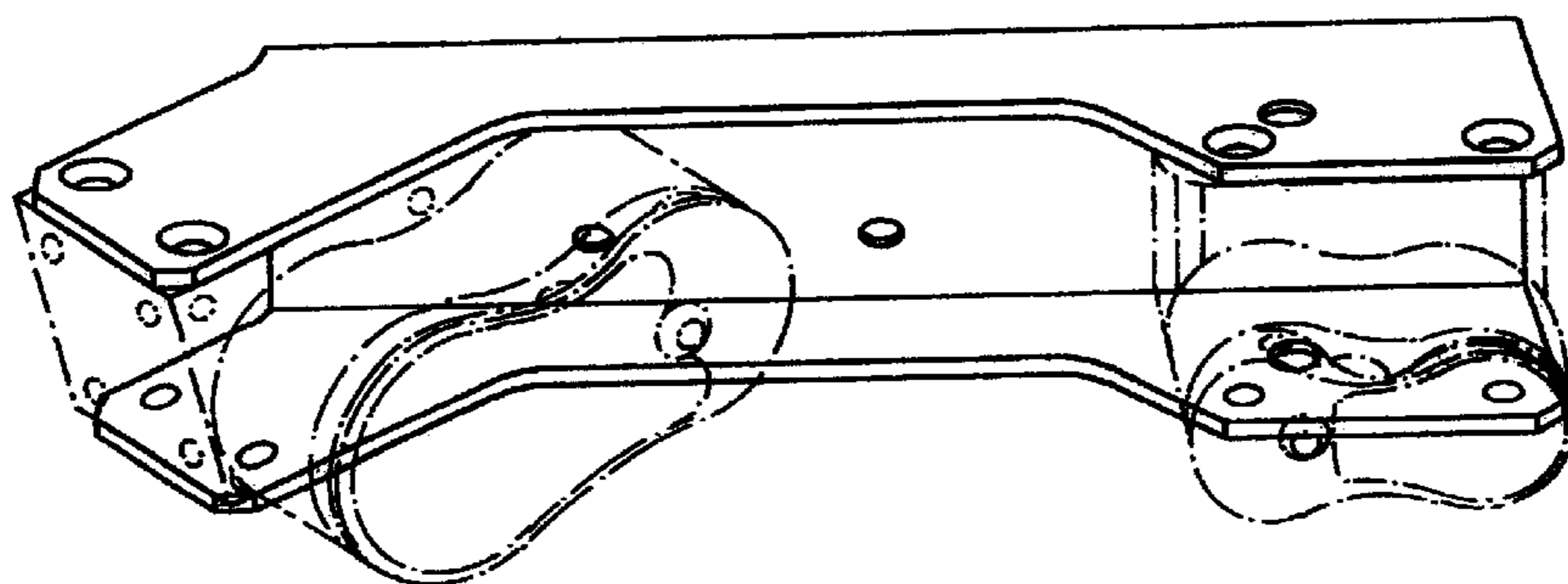


Fig. 1

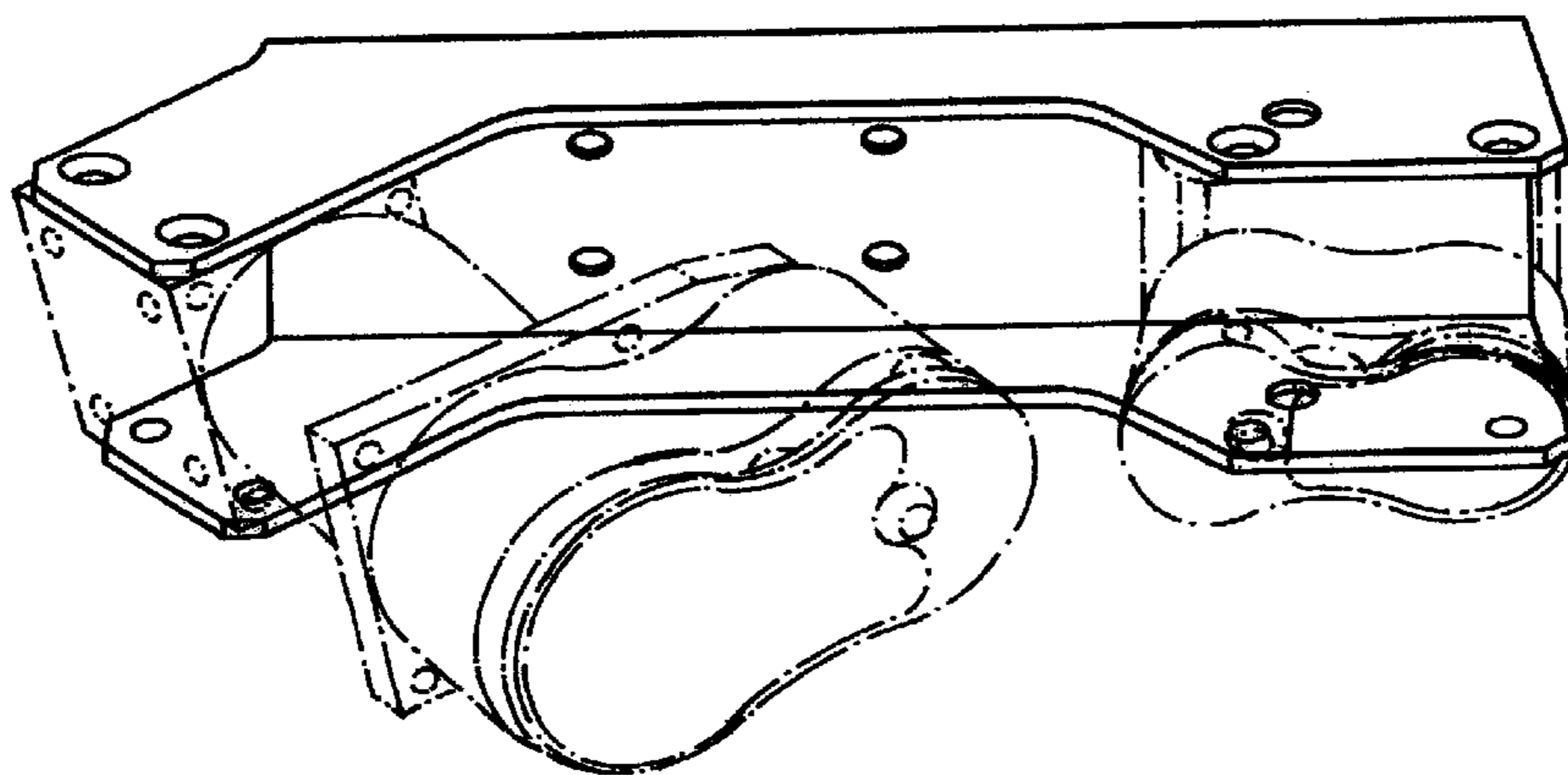


Fig. 2

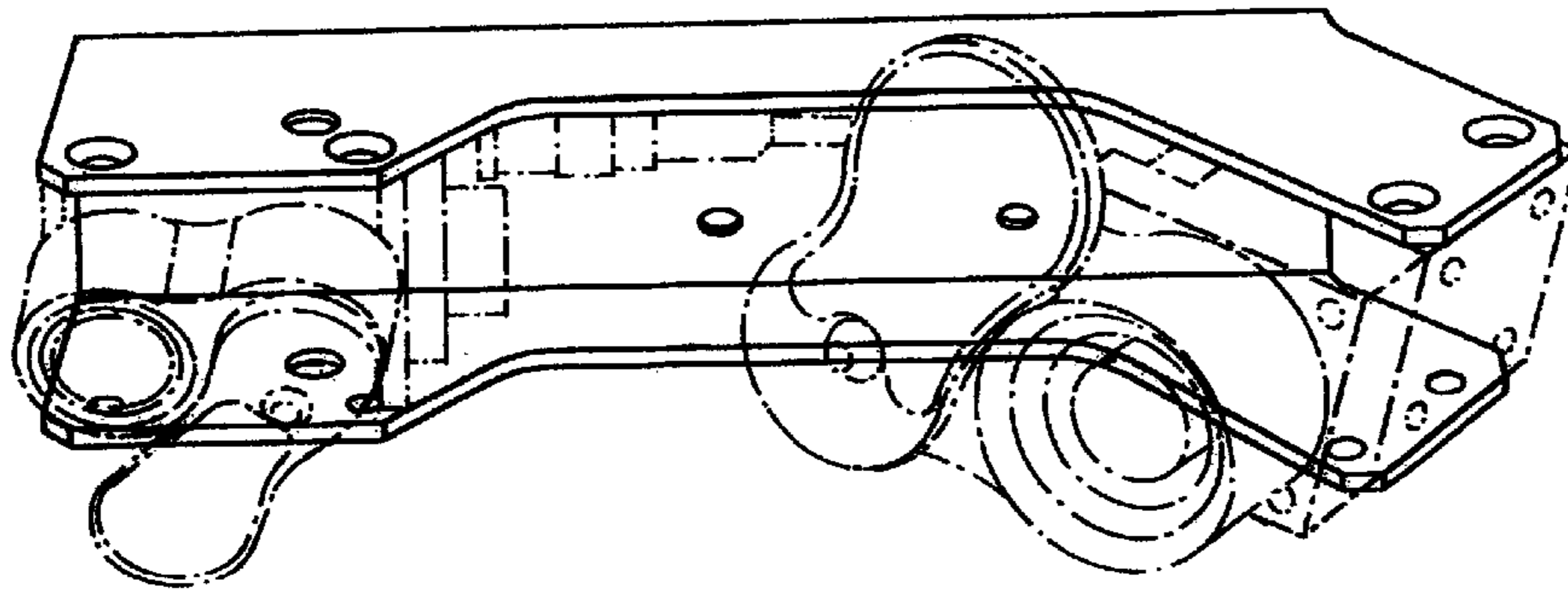


Fig. 3

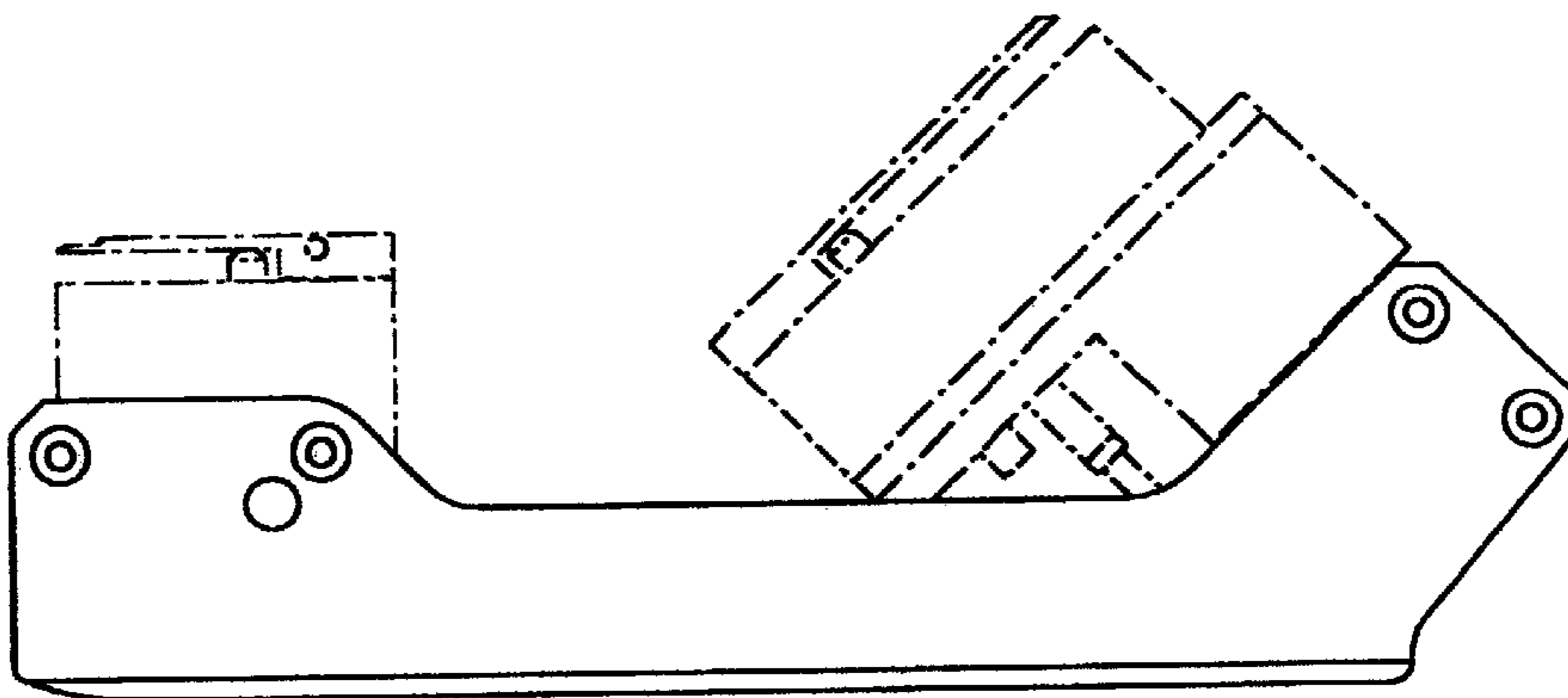


Fig. 4

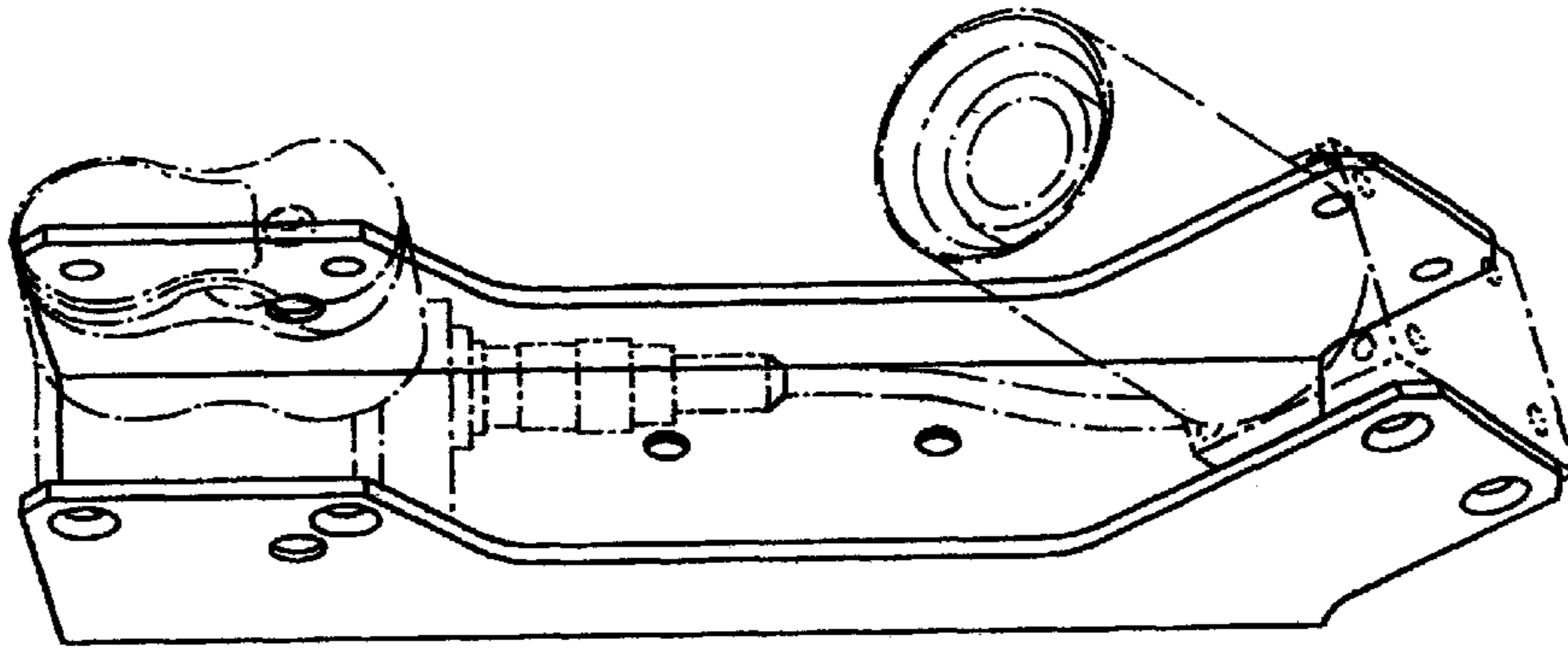


Fig. 5

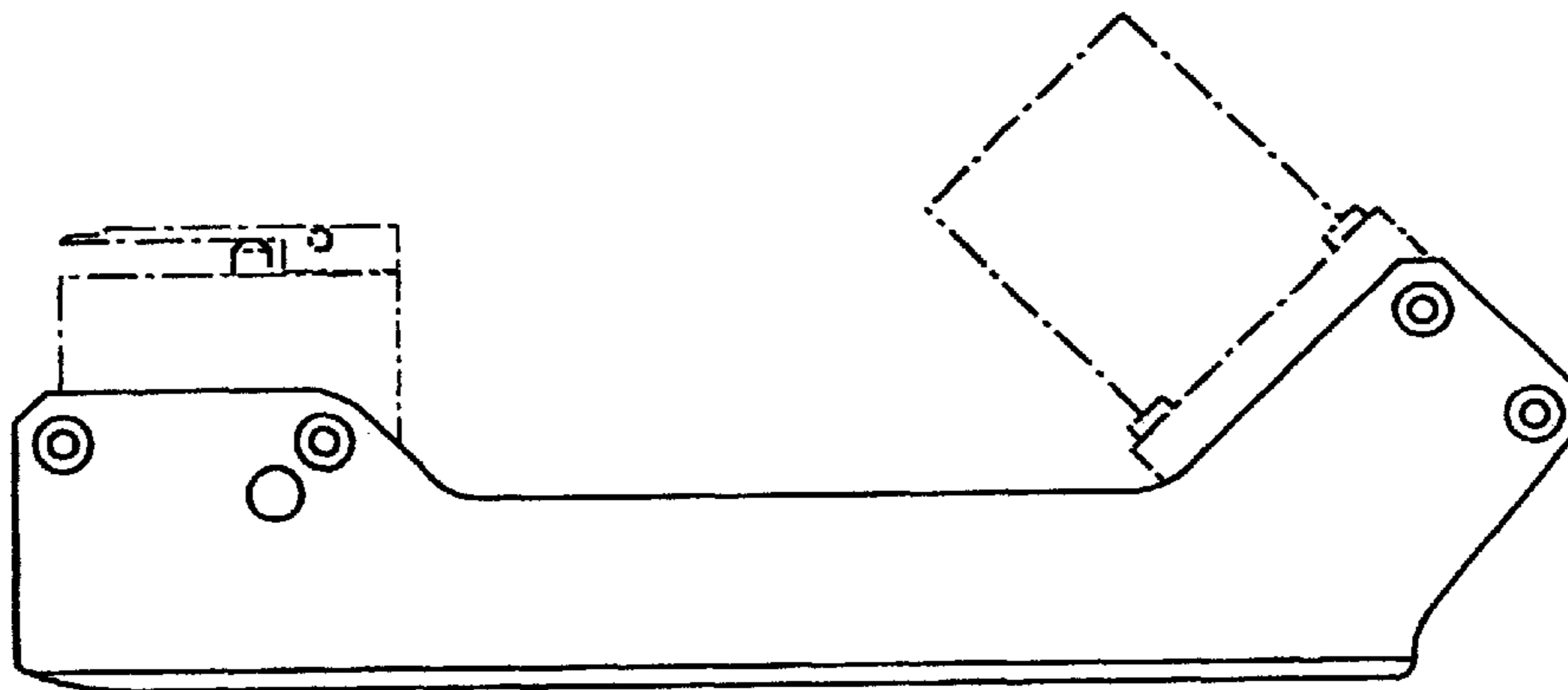


Fig. 6

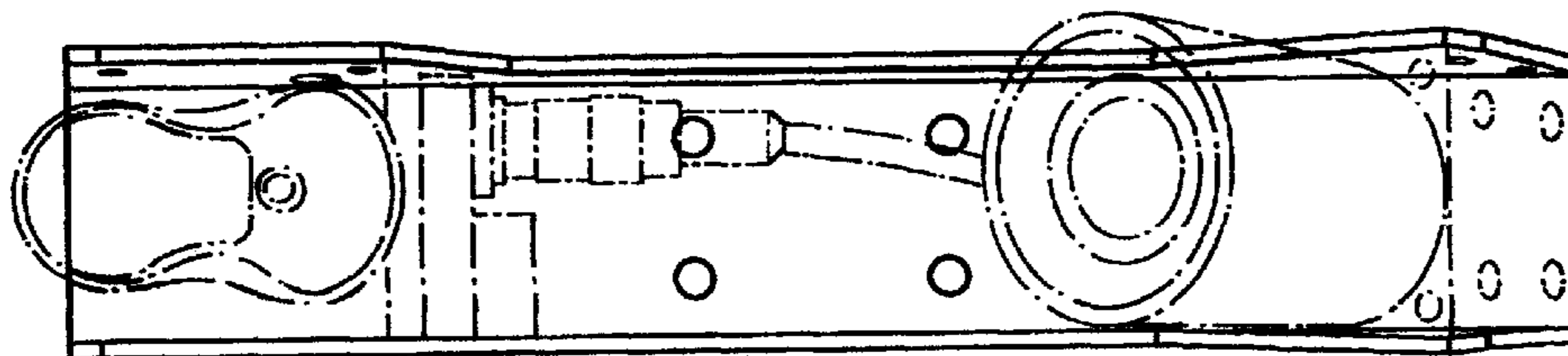


Fig. 7