

US00D537317S

(12) **United States Design Patent**
Jackson, Jr.

(10) **Patent No.:** **US D537,317 S**

(45) **Date of Patent:** **** Feb. 27, 2007**

(54) **POP-UP KNOB**

6,575,503 B1 6/2003 Johansson et al.

(75) Inventor: **Joseph W. Jackson, Jr.**, Wilmington,
DE (US)

FOREIGN PATENT DOCUMENTS

JP	8-135278	5/1996
JP	9-125783	5/1997
JP	9-268826	10/1997

(73) Assignee: **Southco, Inc.**, Concordville, PA (US)

(**) Term: **14 Years**

OTHER PUBLICATIONS

(21) Appl. No.: **29/215,661**

U.S. Appl. No. 29/215,659, filed Oct. 23, 2004, and naming Joseph W. Jackson Jr. as inventor.

(22) Filed: **Oct. 23, 2004**

U.S. Appl. No. 29/215,660, filed Oct. 23, 2004, and naming Joseph W. Jackson Jr. as inventor.

(51) **LOC (8) Cl.** **08-06**

Sugatsune/LAMP on-line Catalog, pp. 124-129.

(52) **U.S. Cl.** **D8/300; D8/331**

Hafele on-line product information, <http://www.hafeleonline.com/usa/product/furniture.html>, locks information, pp. 382-385.

(58) **Field of Classification Search** D8/330,
D8/331, 339, 341, 342, 300, 301; D13/171,
D13/174; 70/139, 365, 370, 372, 368, 495;
200/318.2, 341, 566

* cited by examiner

See application file for complete search history.

Primary Examiner—Paula A. Greene

(56) **References Cited**

(74) *Attorney, Agent, or Firm*—Paul & Paul

U.S. PATENT DOCUMENTS

(57) **CLAIM**

2,233,278	A	2/1941	Aldeen	
3,287,944	A	* 11/1966	Crumb	70/495
3,465,557	A	* 9/1969	Ryder	70/139
D312,769	S	12/1990	Bisbing	
4,978,152	A	12/1990	Bisbing	
5,055,643	A	* 10/1991	Pardini et al.	200/318.2
5,235,832	A	* 8/1993	Lux et al.	70/368
D344,930	S	* 3/1994	Schaeffer	D13/171
5,384,442	A	* 1/1995	Danner	200/566
5,479,800	A	* 1/1996	Myers	70/365
D410,190	S	* 5/1999	Freck	D8/331
6,113,160	A	9/2000	Johansson et al.	
D431,998	S	10/2000	Johansson et al.	
D432,389	S	10/2000	Johansson et al.	
D433,309	S	11/2000	Johansson et al.	
D435,427	S	* 12/2000	Sokurenko	D8/331
D437,835	S	* 2/2001	Decosse	D13/174
6,460,902	B1	10/2002	Kyle	
6,501,037	B2	* 12/2002	Gressier et al.	200/341

The ornamental design for a pop-up knob, as shown and described.

DESCRIPTION

FIG. 1 is a front perspective view of a pop up knob showing my new design;

FIG. 2 is a front view thereof;

FIG. 3 is a rear view thereof;

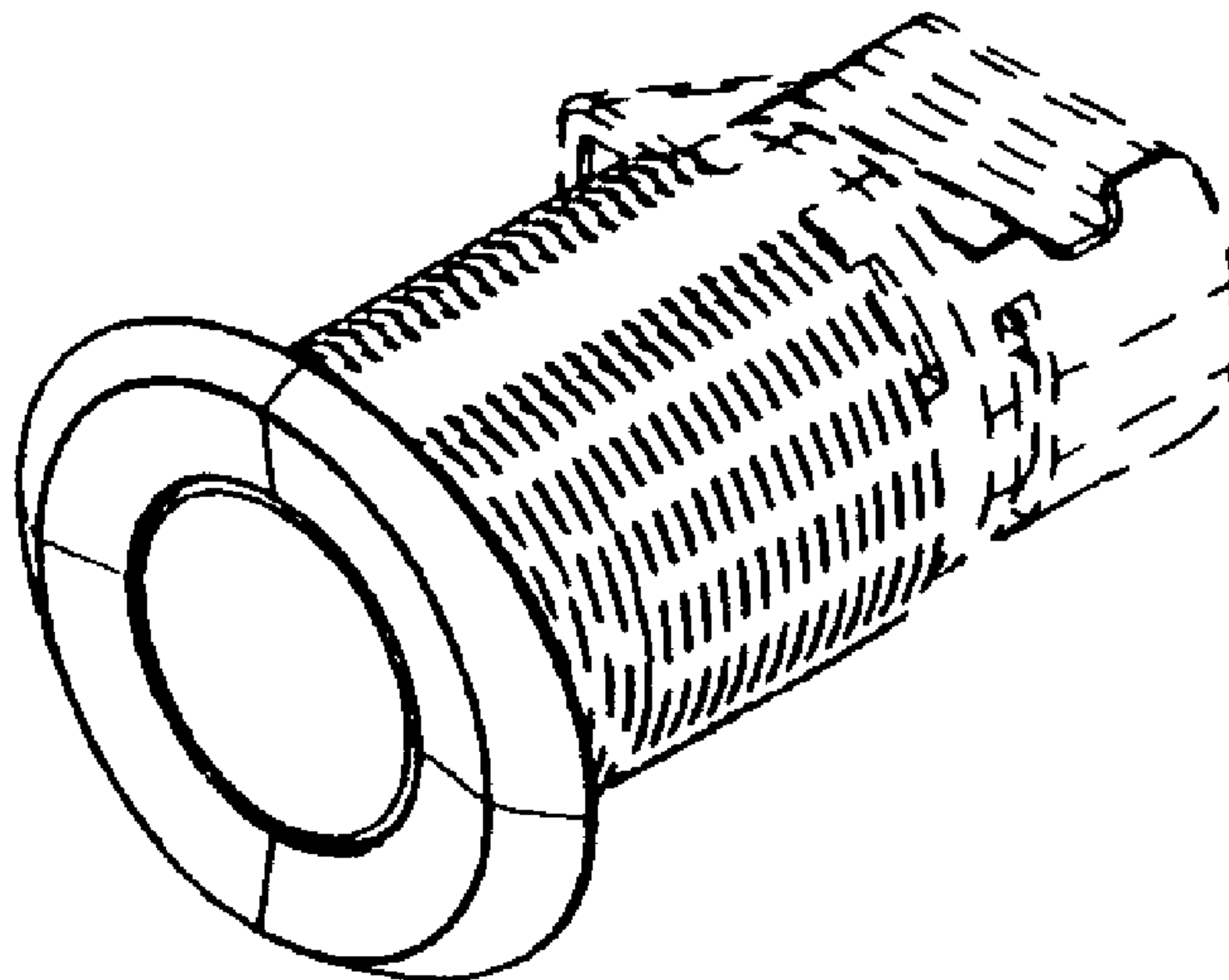
FIG. 4 is a right side view thereof;

FIG. 5 is a left side view thereof; and,

FIG. 6 is a top view thereof.

The bottom view of the pop-up knob shown in the drawing figures does not form part of the claimed design. Drawing features shown in dashed lines do not form any part of the design claimed herein.

1 Claim, 1 Drawing Sheet



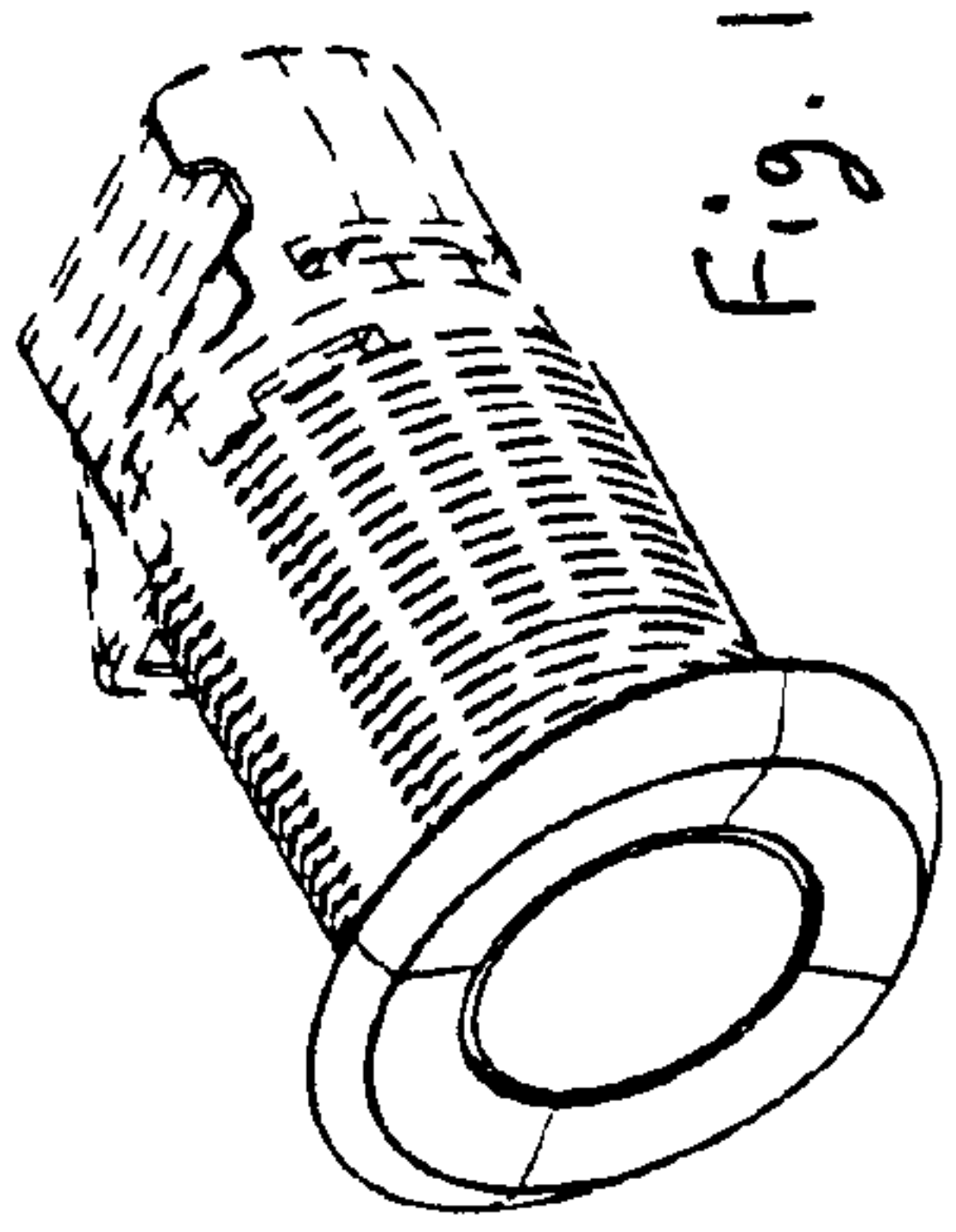


Fig. 1

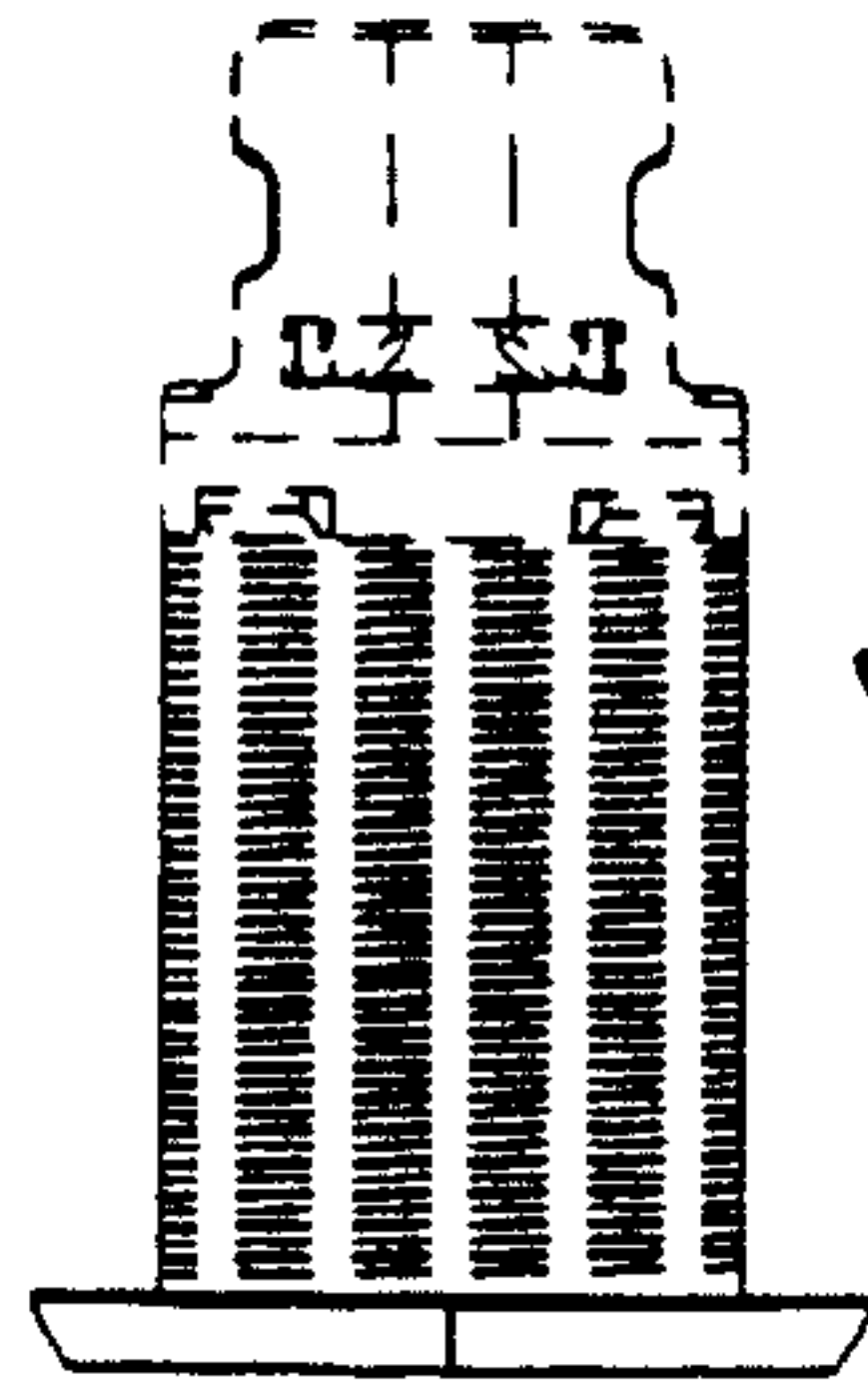


Fig. 3

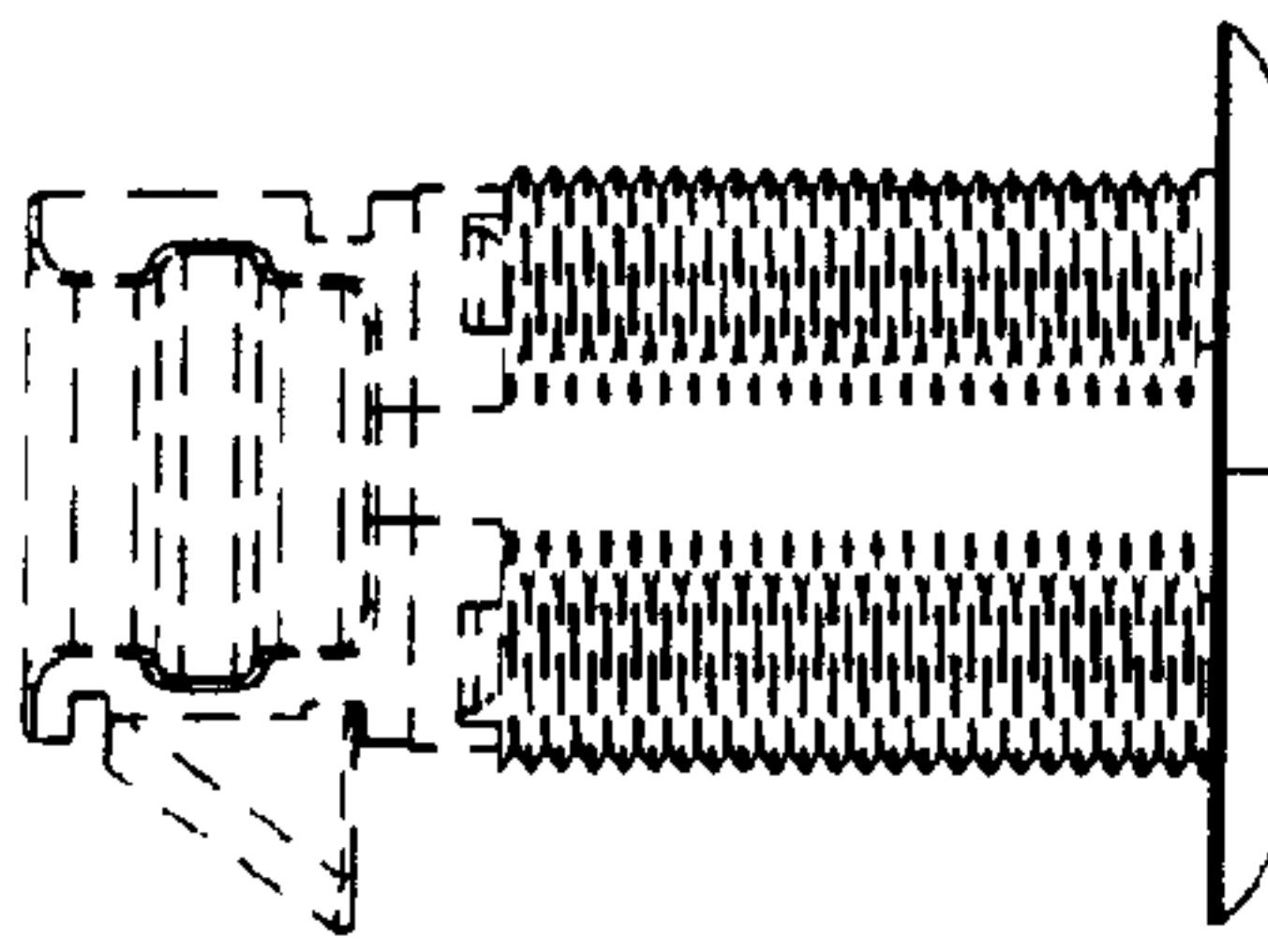


Fig. 4

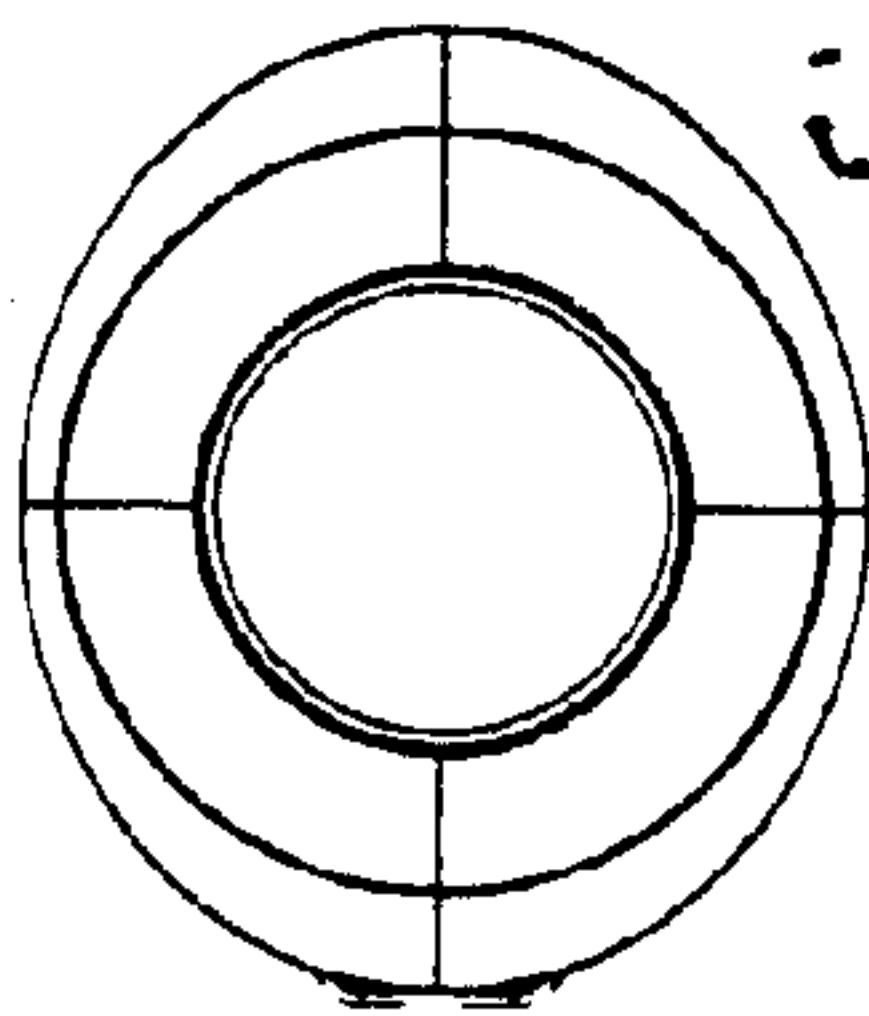


Fig. 6

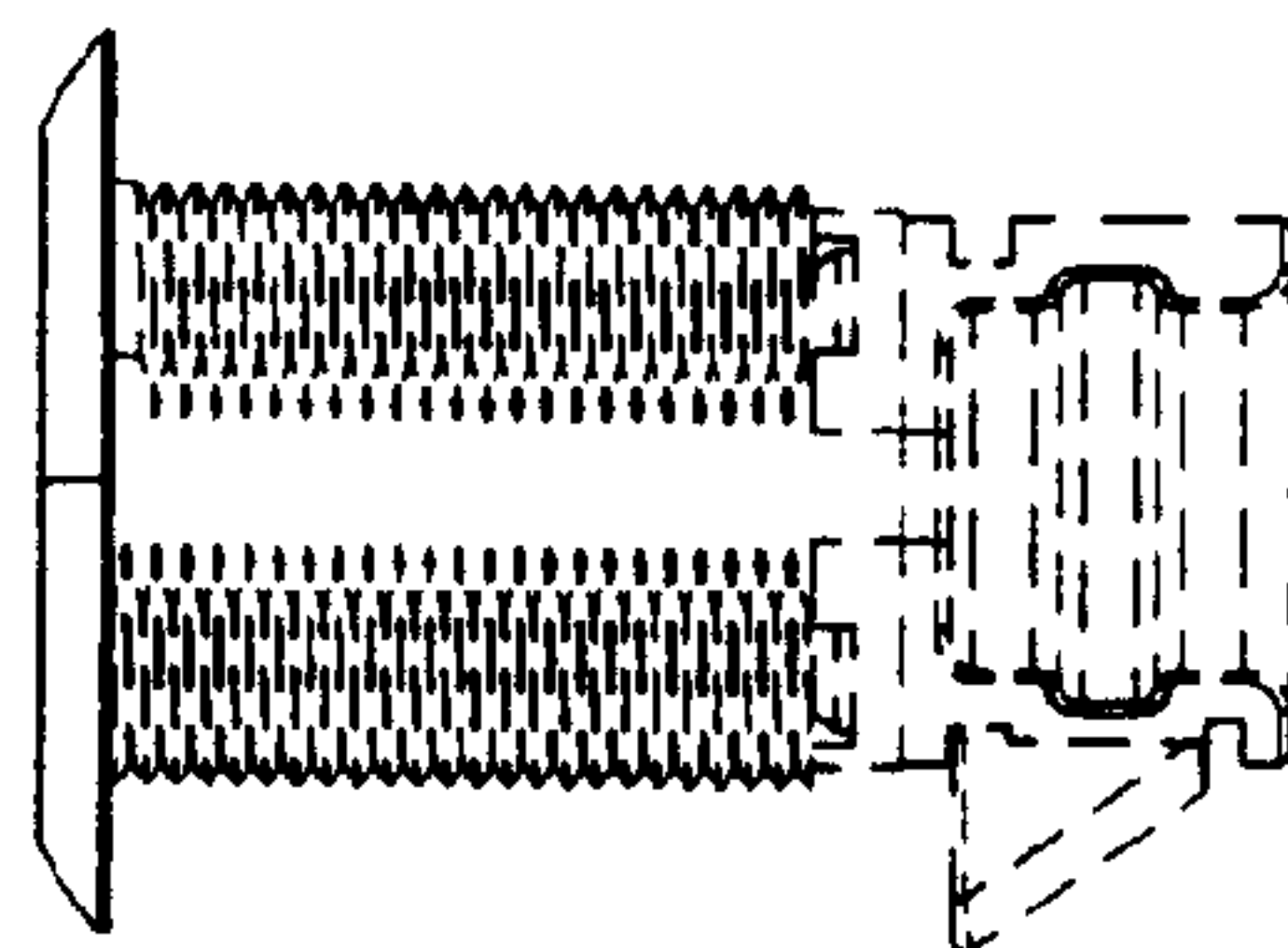


Fig. 5

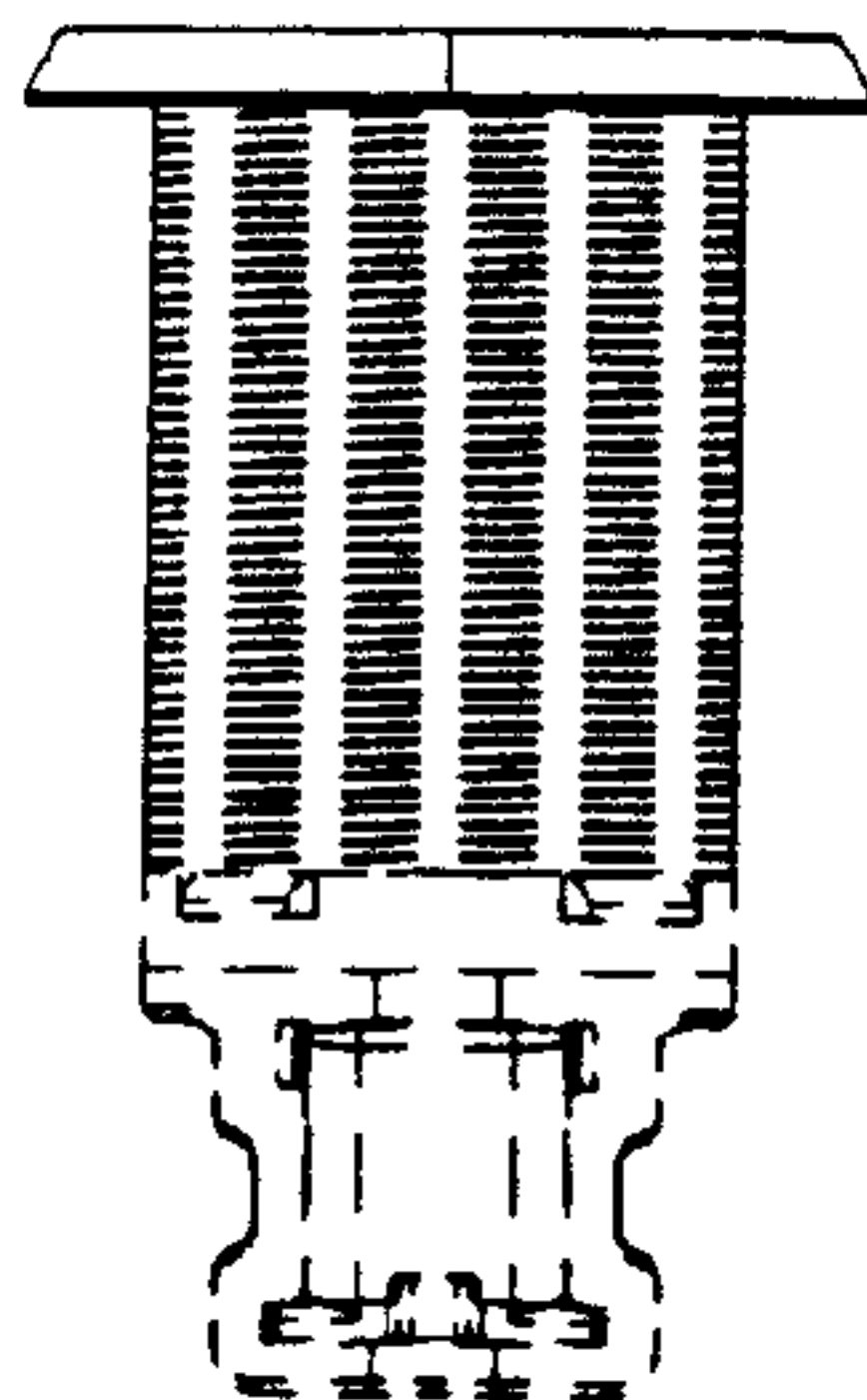


Fig. 2