



US00D537314S

(12) **United States Design Patent**  
**Junkers**

(10) **Patent No.:** **US D537,314 S**

(45) **Date of Patent:** **\*\* Feb. 27, 2007**

(54) **HAND HELD POWER TOOL**

(76) **Inventor:** **Jason Junkers**, 141 Ashley Pl., Park Ridge, NJ (US) 07656

(\*\*) **Term:** **14 Years**

(21) **Appl. No.:** **29/256,455**

(22) **Filed:** **Mar. 21, 2006**

**Related U.S. Application Data**

(63) Continuation of application No. 29/236,329, filed on Aug. 15, 2005, now Pat. No. Des. 522,337.

(51) **LOC (8) Cl.** ..... **08-05**

(52) **U.S. Cl.** ..... **D8/68**

(58) **Field of Classification Search** ..... D8/14.1,  
D8/61, 62, 63, 64, 65, 66, 67, 68, 69, 70,  
D8/107; 81/57.11, 429, 464, 465, 466, 469,  
81/489; 173/13, 104, 114, 168, 169, 170,  
173/171, 178, 201, 211, 213, 217; 408/20,  
408/124, 125, 234, 241 R; 451/358; 310/50;  
227/8, 113, 114, 120, 130, 136, 142

See application file for complete search history.

(56) **References Cited**

**U.S. PATENT DOCUMENTS**

2,001,190	A	*	5/1935	Ginter	.....	173/169
D222,229	S	*	10/1971	Schaedler	.....	D8/68
4,330,093	A	*	5/1982	Chapman, Jr.	.....	173/169
4,613,000	A	*	9/1986	Moore	.....	81/429
D289,968	S	*	5/1987	Somers	.....	D8/68
D292,169	S	*	10/1987	House et al.	.....	D8/68
4,778,015	A	*	10/1988	Jacobsson	.....	173/169
4,790,696	A	*	12/1988	Williams	.....	408/241 R
D301,968	S	*	7/1989	Kmetz	.....	D8/68
4,962,681	A	*	10/1990	Yang	.....	408/20
D326,598	S	*	6/1992	Sakamoto et al.	.....	D8/68

5,881,923	A	*	3/1999	Bokros	.....	222/146.5
D414,672	S	*	10/1999	Tsai	.....	D8/107
6,192,997	B1	*	2/2001	Tsai et al.	.....	173/211
D467,482	S	*	12/2002	Kunz et al.	.....	D8/68
D471,419	S	*	3/2003	Chunn et al.	.....	D8/68
D508,836	S	*	8/2005	Schiller et al.	.....	D8/68
D514,408	S	*	2/2006	Melendy et al.	.....	D8/14.1
2004/0188119	A1	*	9/2004	Chen	.....	173/217

**FOREIGN PATENT DOCUMENTS**

GB	2013599	S	*	3/1991
GB	2092371	S	*	11/1999
GB	3006933	S	*	9/2002

\* cited by examiner

*Primary Examiner*—T. Chase Nelson

(74) *Attorney, Agent, or Firm*—Michael J. Striker

(57) **CLAIM**

I claim the ornamental design for a hand held power tool, as shown and described.

**DESCRIPTION**

FIG. 1 is a front perspective view of a hand held power tool showing my new design;

FIG. 2 is a top view thereof;

FIG. 3 is a front view thereof;

FIG. 4 is a side view thereof, which is a mirror image of the opposite side thereof;

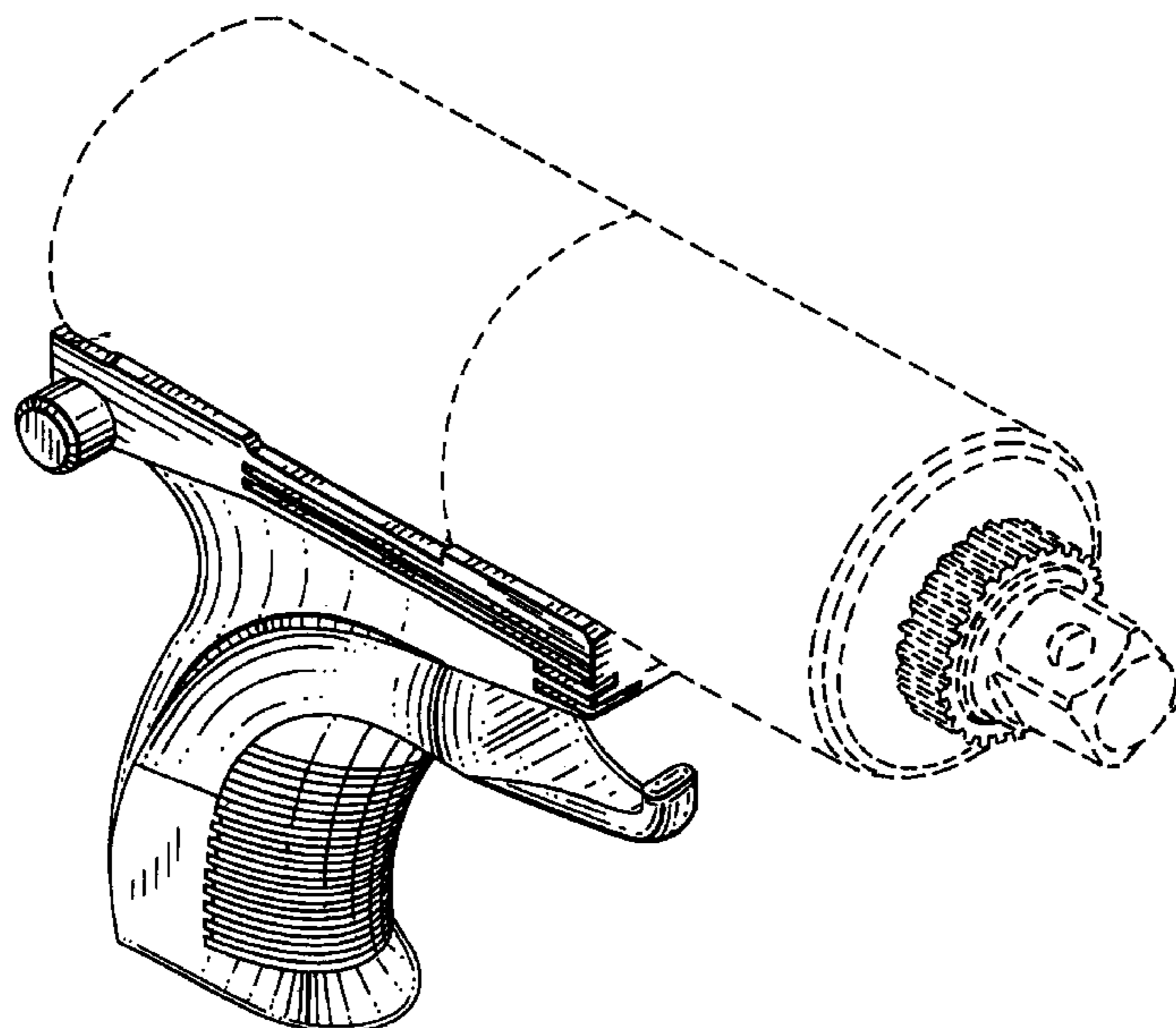
FIG. 5 is a rear view thereof;

FIG. 6 is a bottom view thereof; and,

FIG. 7 is a front perspective view of an alternate embodiment of my new design, showing the hand held power tool without the knob configuration.

The broken line showing of portions of the hand held power tool is for illustrative purposes only and forms no part of the claimed design.

**1 Claim, 5 Drawing Sheets**



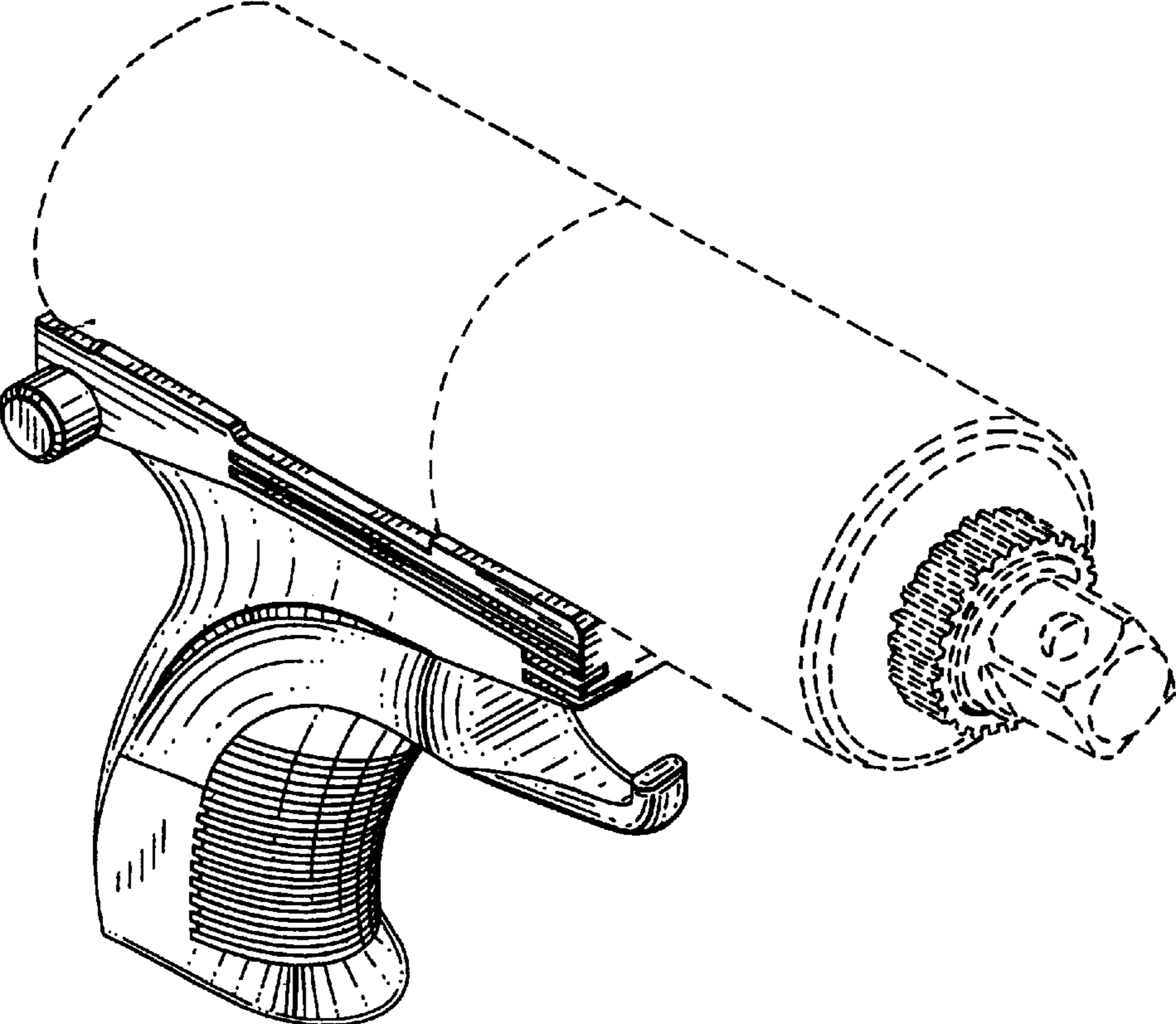


FIG. 1

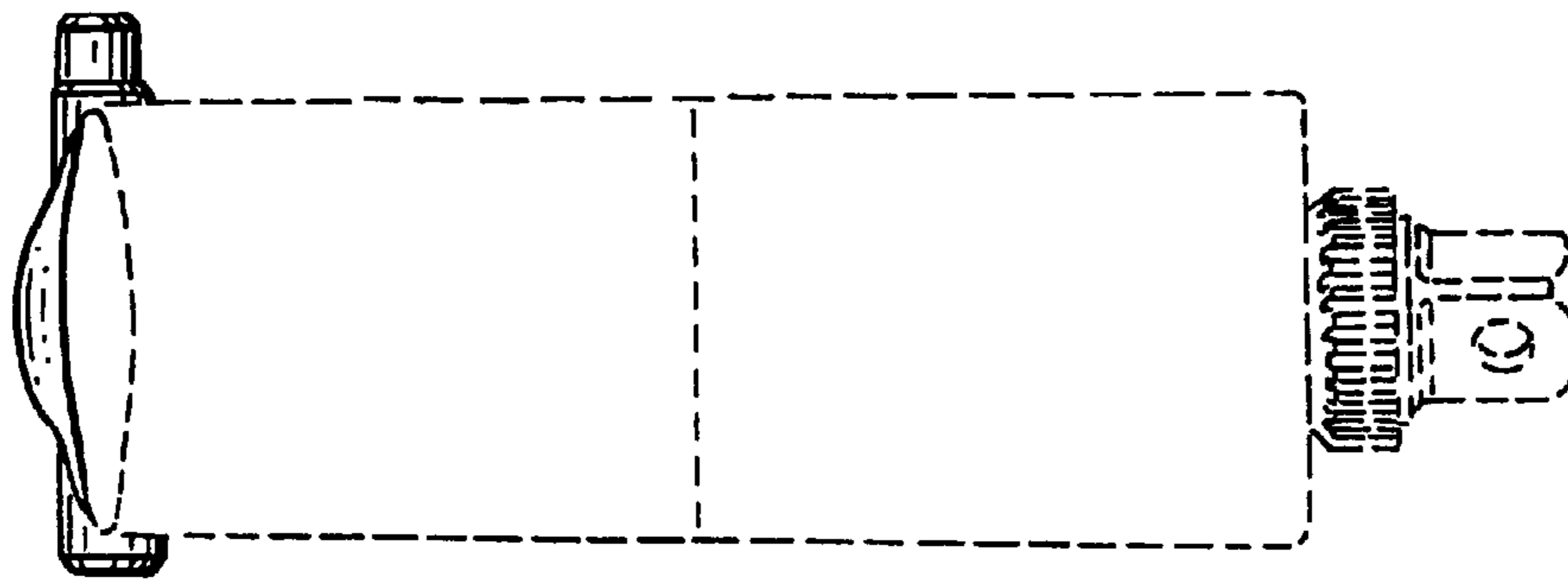


FIG. 2

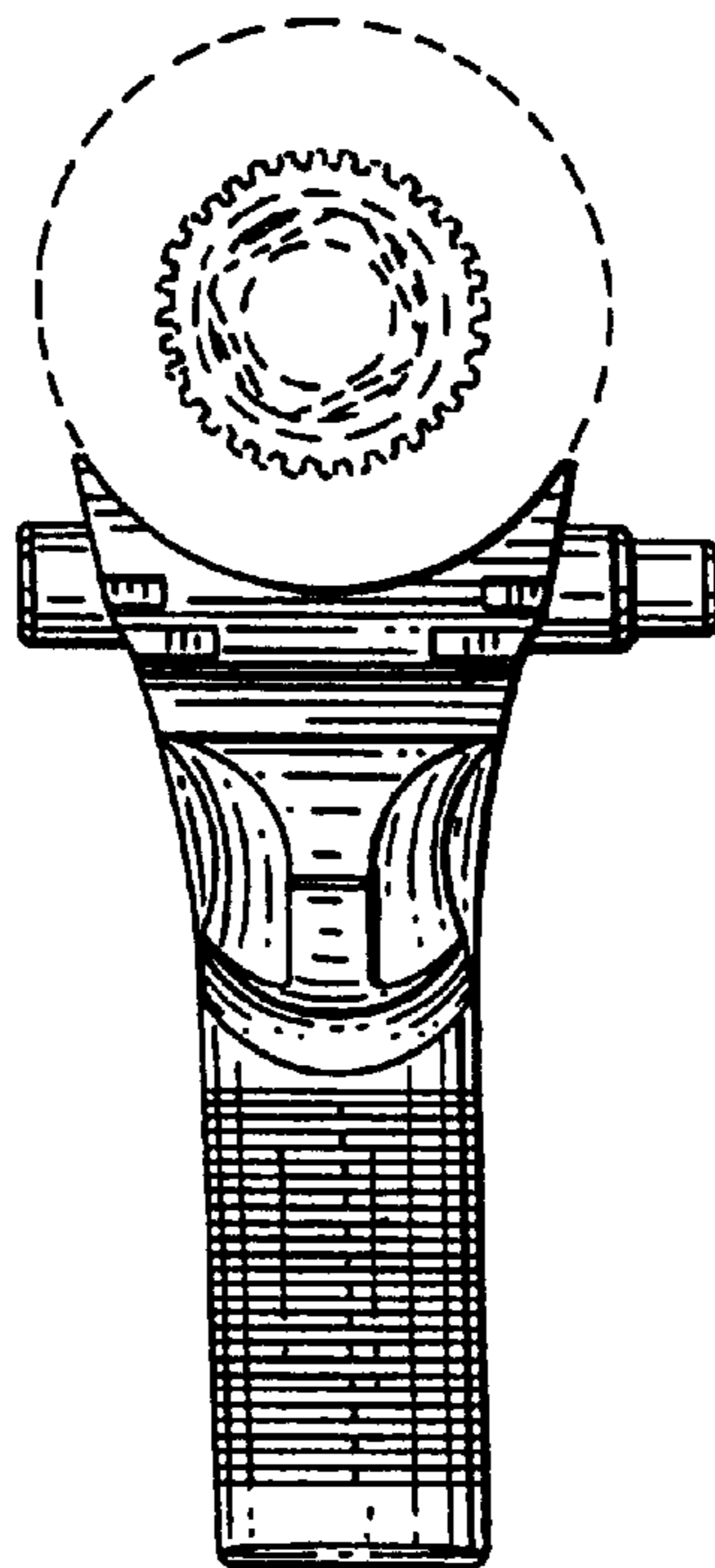


FIG. 3

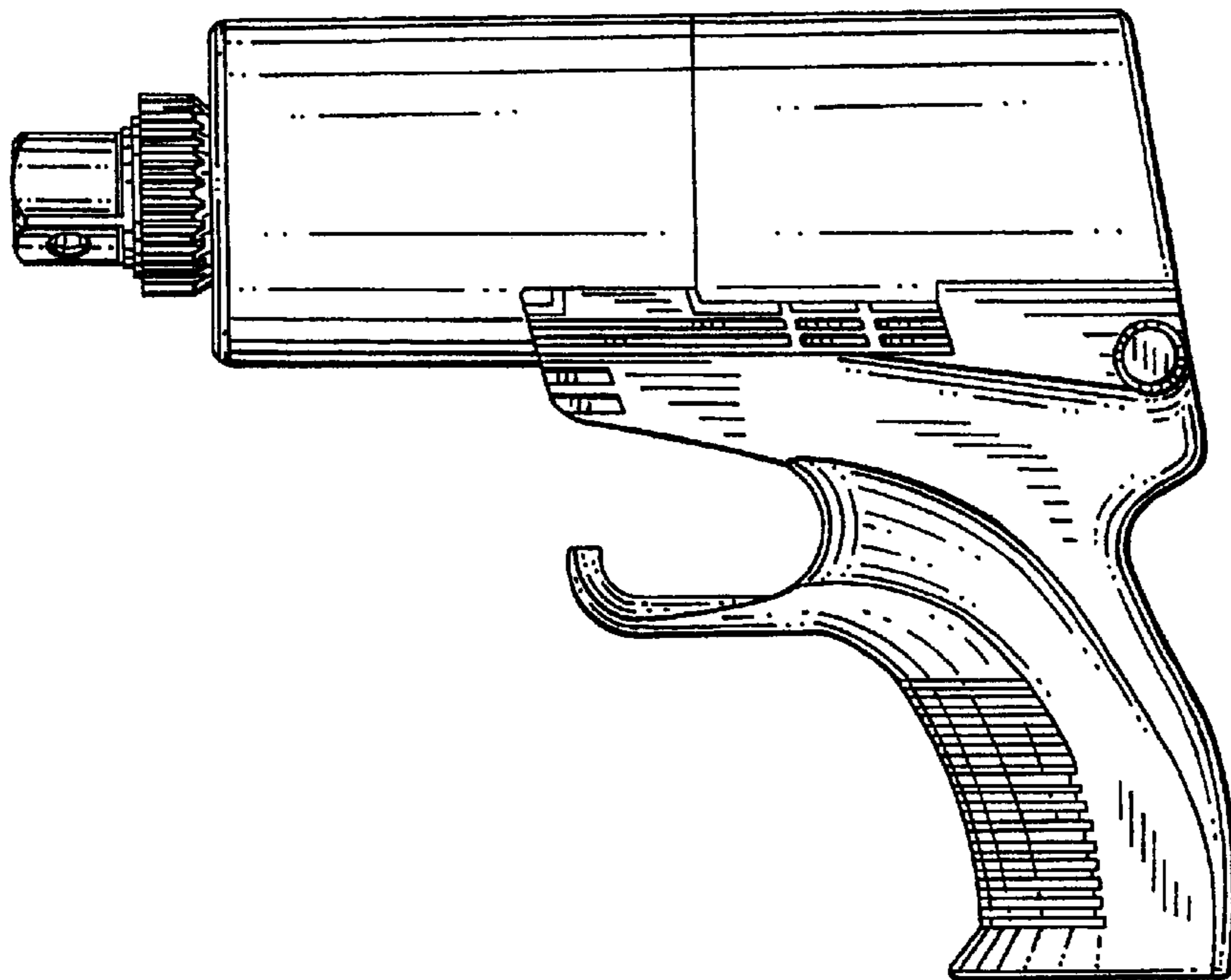


FIG. 4

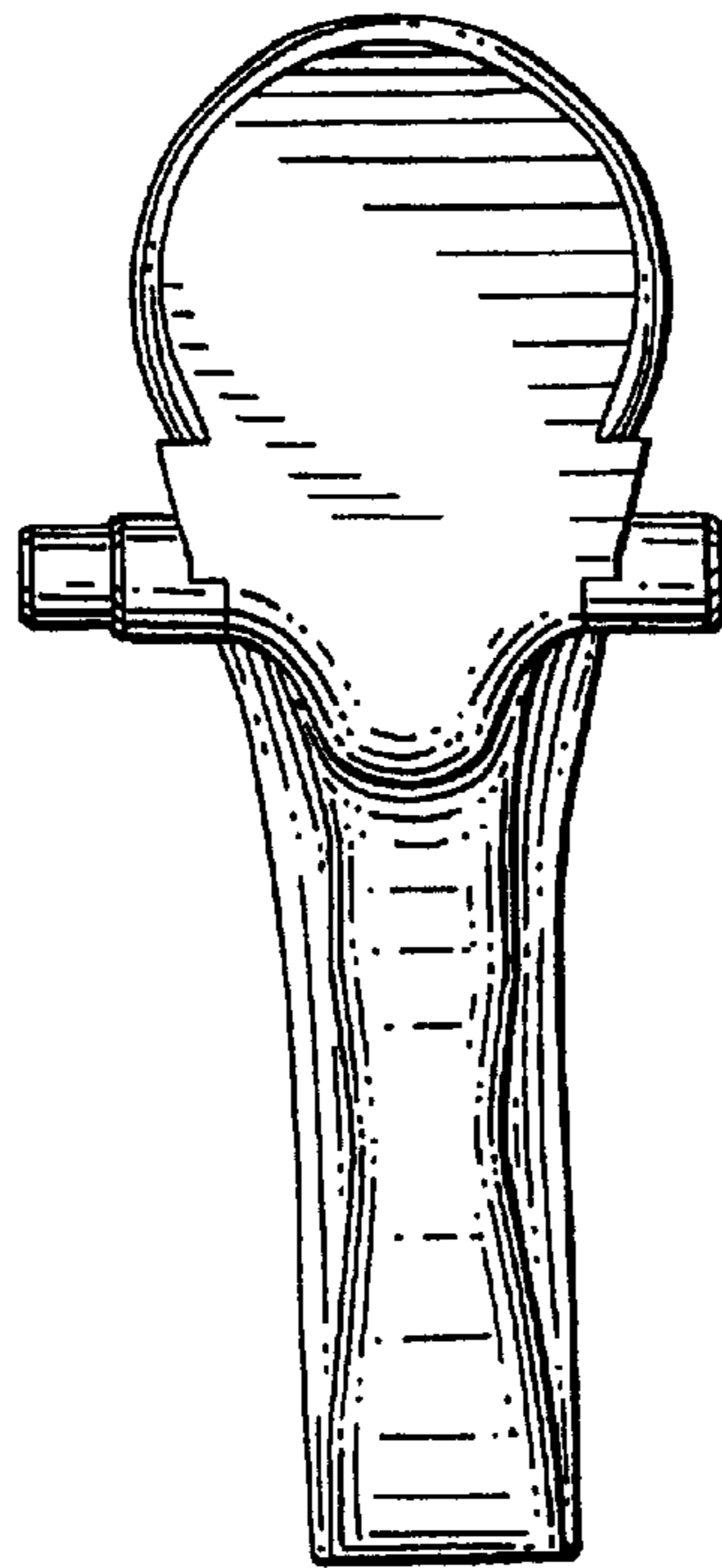


FIG. 5

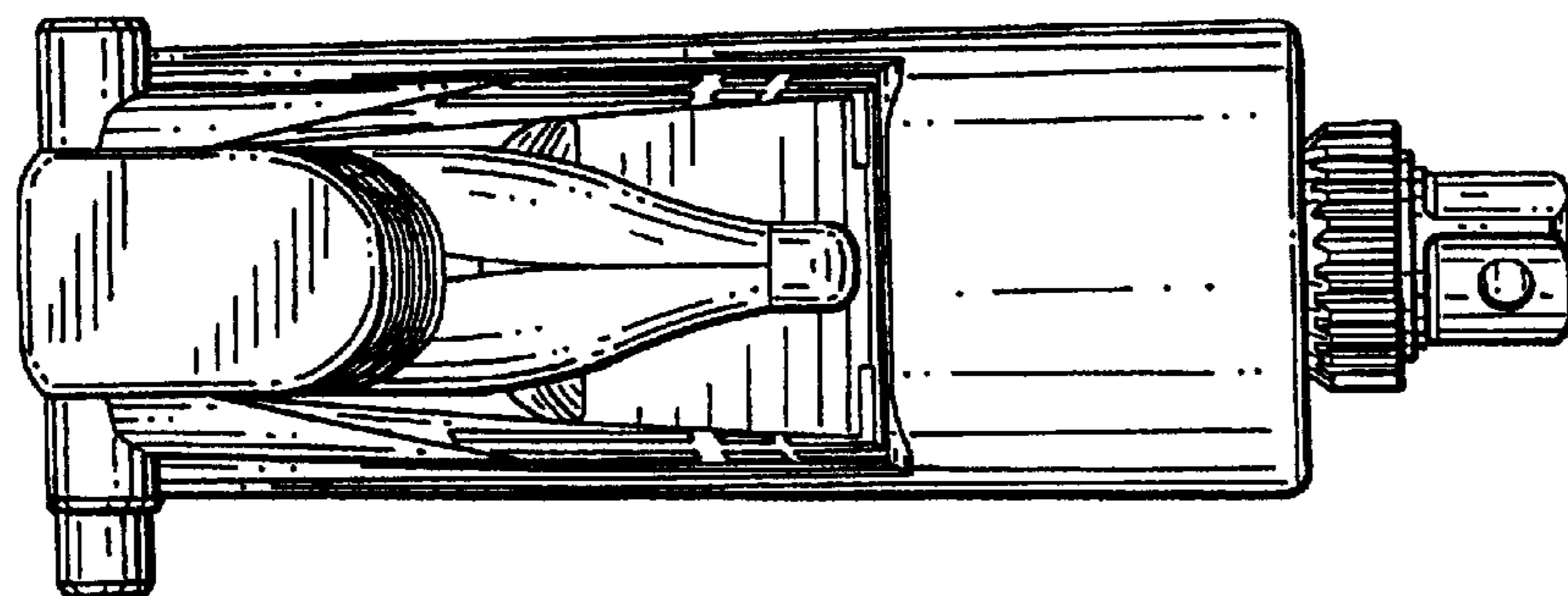


FIG. 6

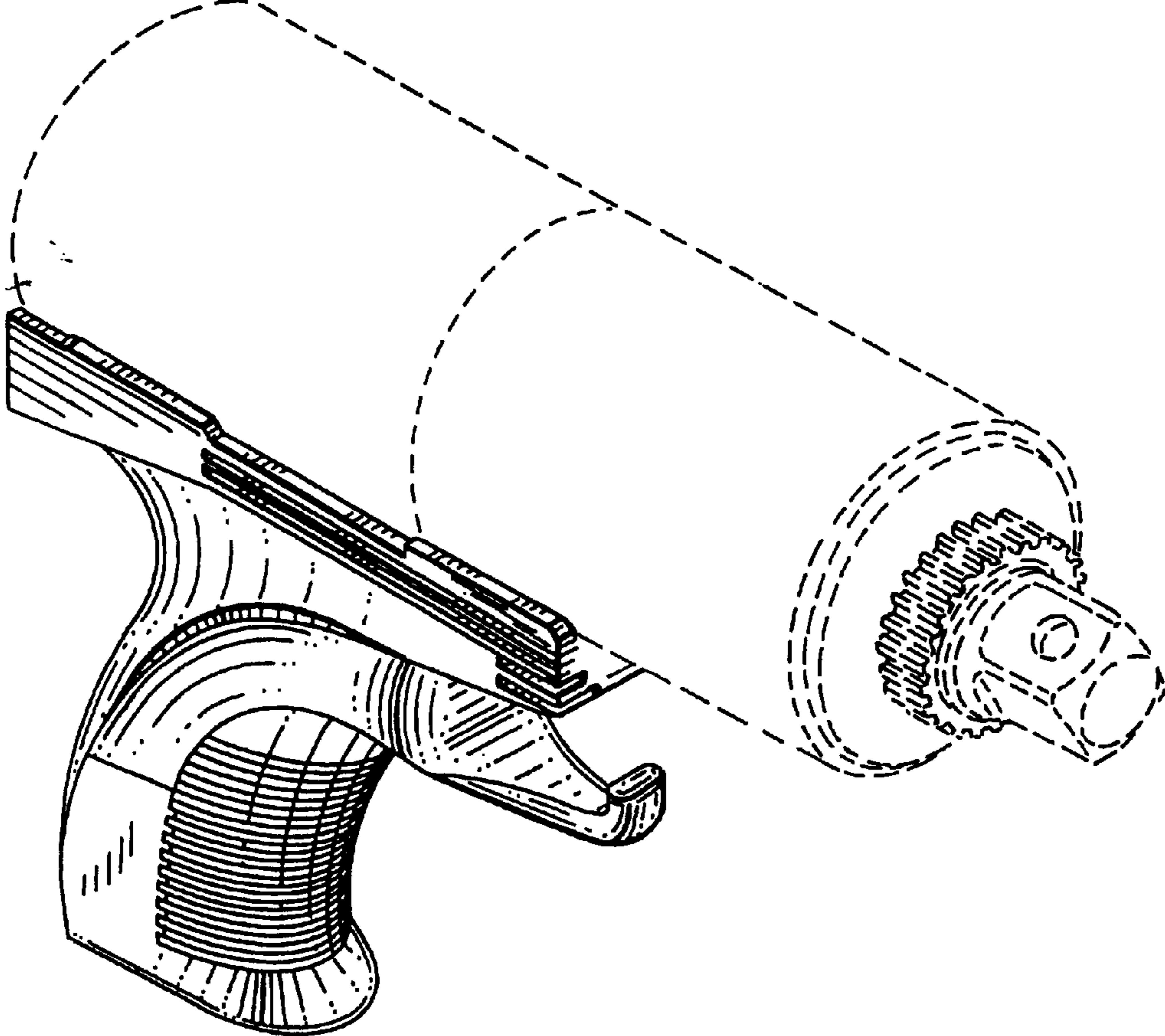


FIG. 7