



US00D537313S

(12) **United States Design Patent** (10) **Patent No.:** **US D537,313 S**
Klingbeil et al. (45) **Date of Patent:** **** Feb. 27, 2007**

(54) **CHAIN SAW WITH ELONGATED HANDLE**

(75) Inventors: **Thomas Klingbeil**, Bottrop (DE);
Stanley Kang, Hong Kong (HK)

(73) Assignee: **Westfalia Werkzeugcompany GmbH & Co. KG**, Hagen (DE)

(**) Term: **14 Years**

(21) Appl. No.: **29/213,793**

(22) Filed: **Sep. 22, 2004**

(30) **Foreign Application Priority Data**

Mar. 25, 2004 (EM) 163811

(51) **LOC (8) Cl.** **08-03**

(52) **U.S. Cl.** **D8/65**

(58) **Field of Classification Search** D8/7,
D8/8, 9, 68, 70, 65, 66, 67, 62, 63, 64, 61;
30/386, 383, 382, 371, 123; 125/21
See application file for complete search history.

(56) **References Cited**

U.S. PATENT DOCUMENTS

- 3,731,382 A * 5/1973 Wroe 30/381
- D290,365 S * 6/1987 Hatano et al. D8/8
- 4,999,917 A * 3/1991 Neville et al. 30/383
- D355,818 S * 2/1995 Nakadachi D8/8
- 5,718,050 A * 2/1998 Keller et al. 30/123.4
- 5,819,418 A * 10/1998 Uhl 30/296.1

- D401,820 S * 12/1998 Steele D8/9
- 5,896,669 A * 4/1999 Uhl 30/383
- 5,926,961 A * 7/1999 Uhl 30/296.1
- 2002/0017024 A1 * 2/2002 Uhl et al. 30/123.4
- 2002/0194739 A1 * 12/2002 Krane et al. 30/296.1
- 2004/0049925 A1 * 3/2004 Verges et al. 30/383
- 2006/0005673 A1 * 1/2006 Long et al. 83/13

* cited by examiner

Primary Examiner—Cathron C. Brooks

Assistant Examiner—Austin Murphy

(74) *Attorney, Agent, or Firm*—Andrew Wilford

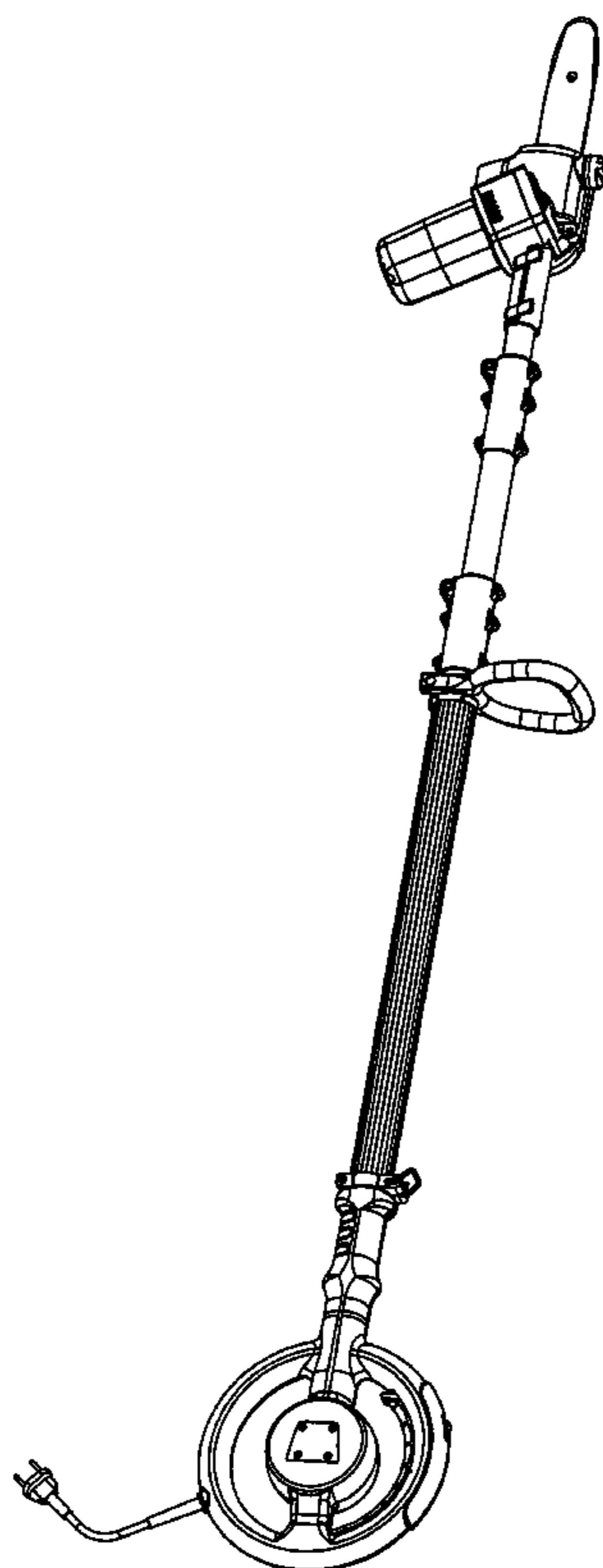
(57) **CLAIM**

The ornamental design for a chain saw with elongated handle, as shown and described.

DESCRIPTION

FIG. 1 is front, right side perspective view of a chain saw with elongated handle showing our new design;
 FIG. 2 is a rear elevational view thereof;
 FIG. 3 is a right side elevational view thereof;
 FIG. 4 is a bottom, right side perspective view thereof;
 FIG. 5 is another front, right side perspective view thereof at a different angle from FIG. 1;
 FIG. 6 is a left side elevational view thereof;
 FIG. 7 is a front elevational view thereof;
 FIG. 8 is a bottom view thereof; and,
 FIG. 9 is top view thereof.

1 Claim, 9 Drawing Sheets



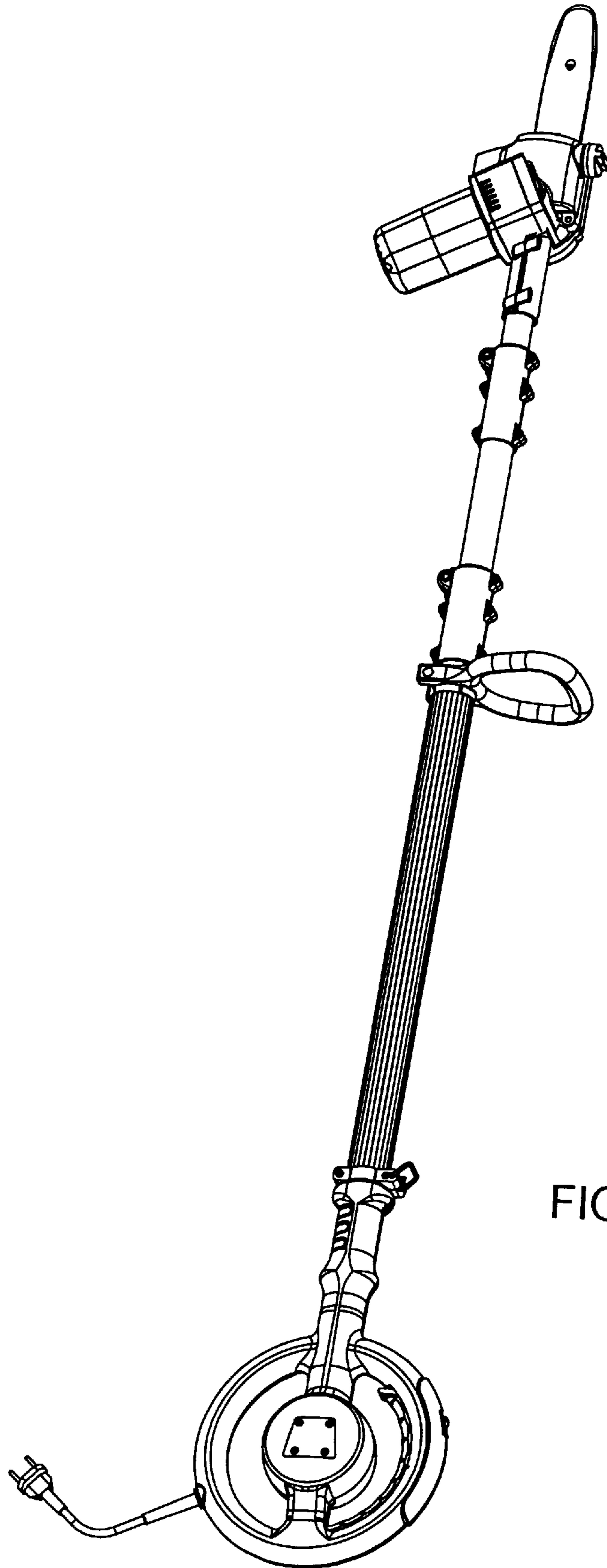


FIG. 1

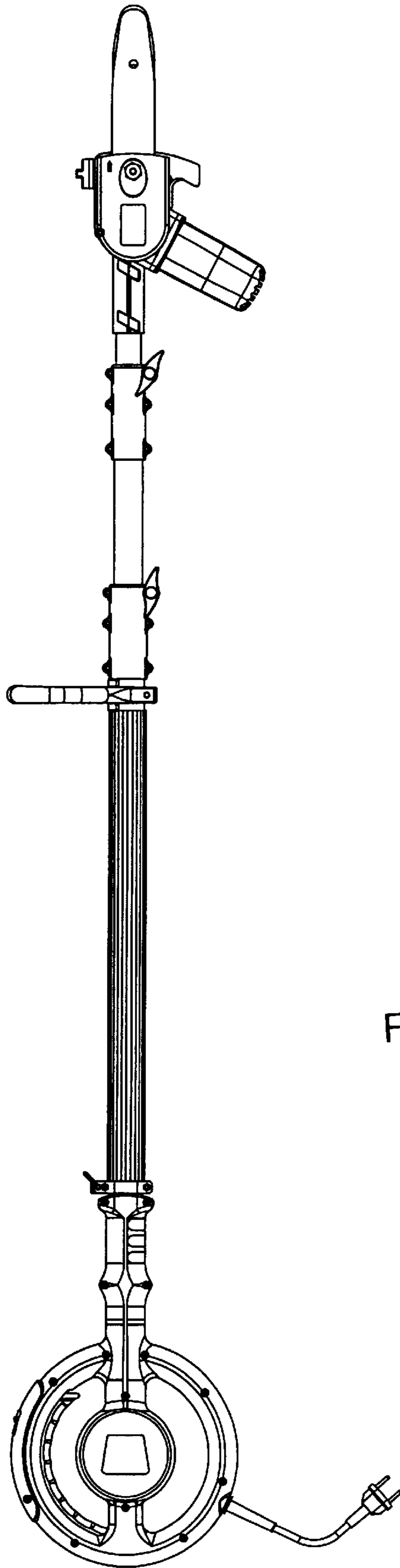


FIG. 2

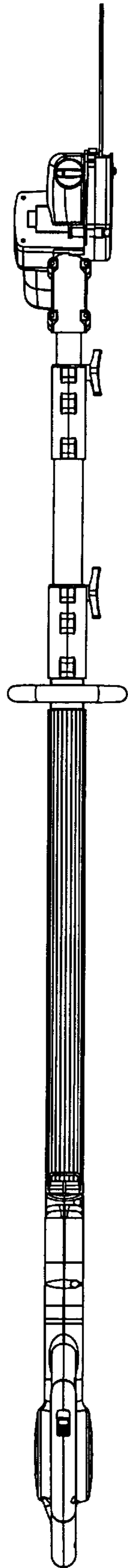


FIG. 3

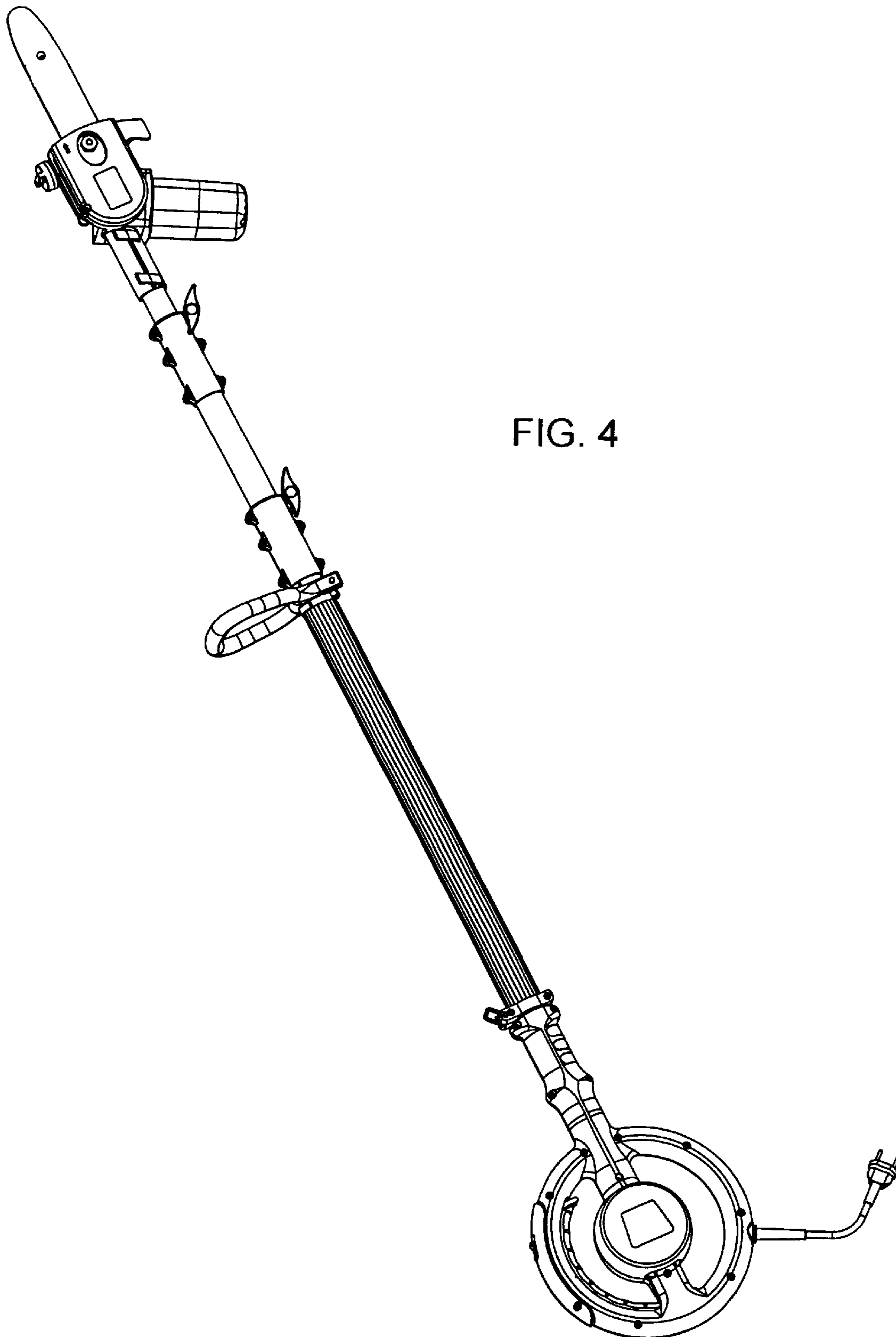


FIG. 4

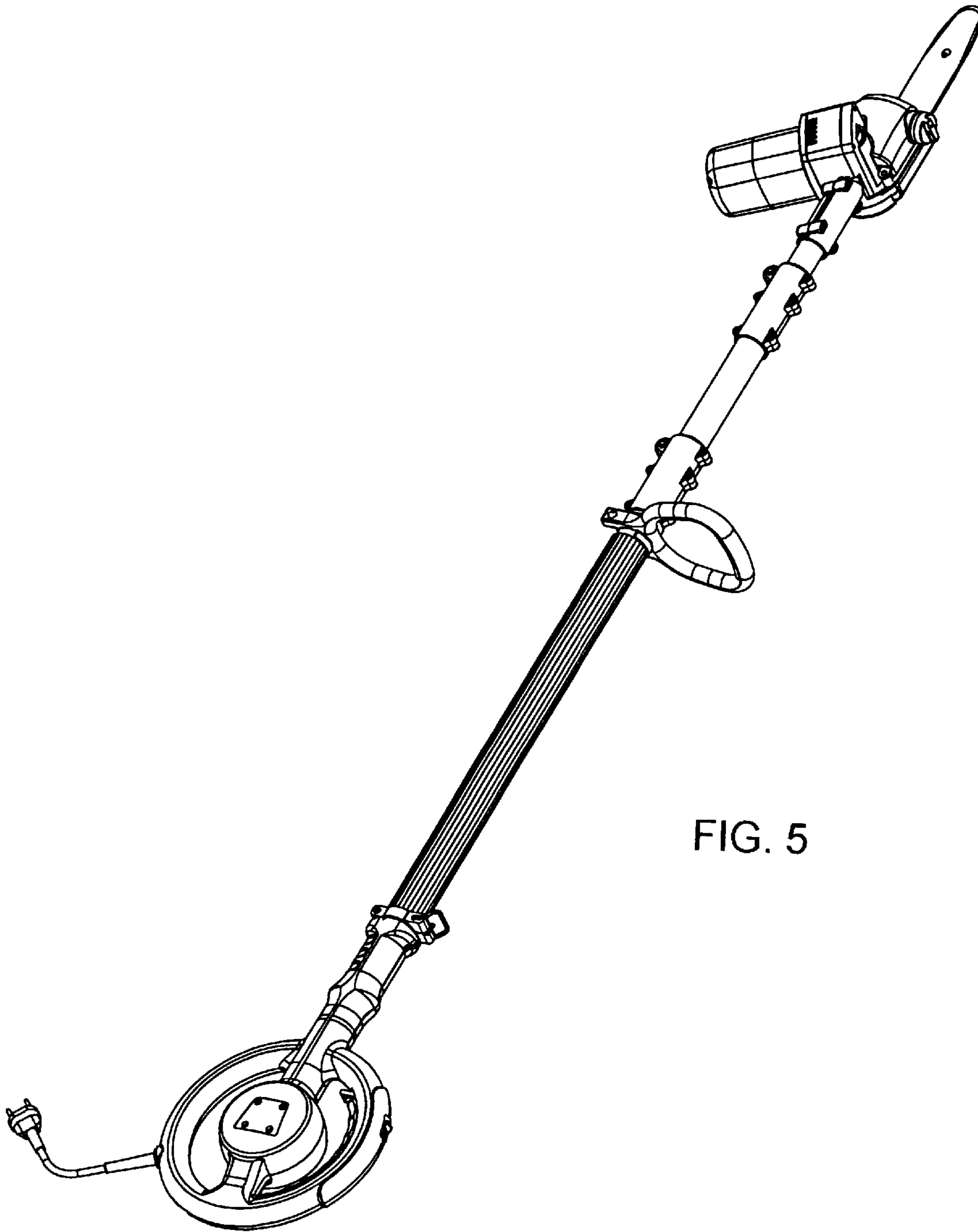


FIG. 5

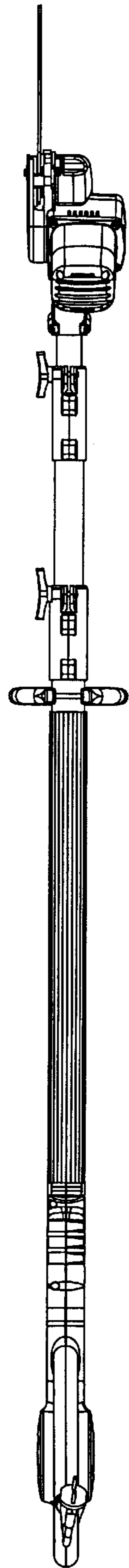


FIG. 6

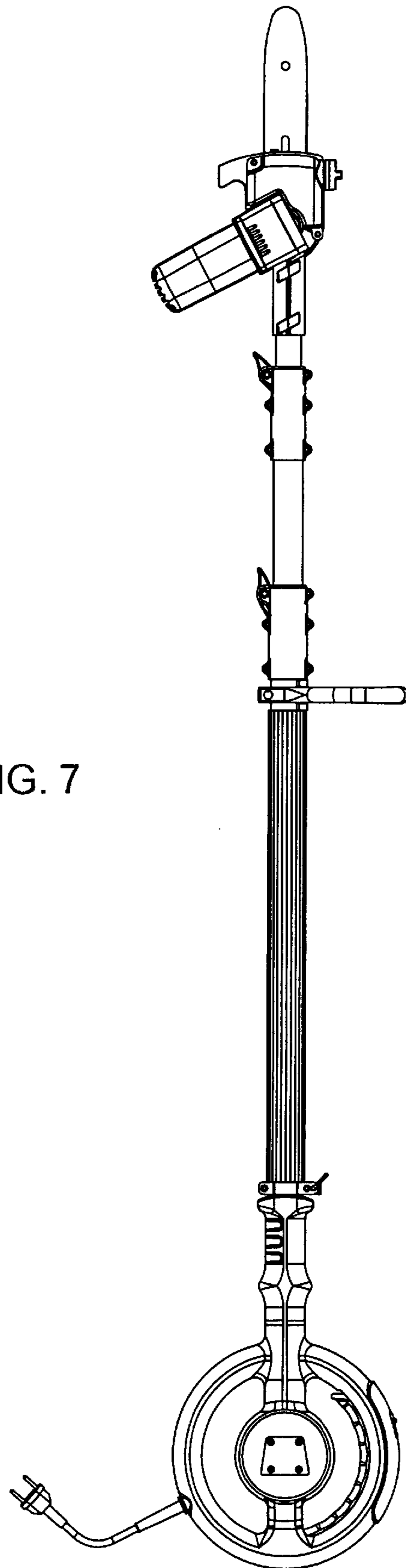


FIG. 7

FIG. 8

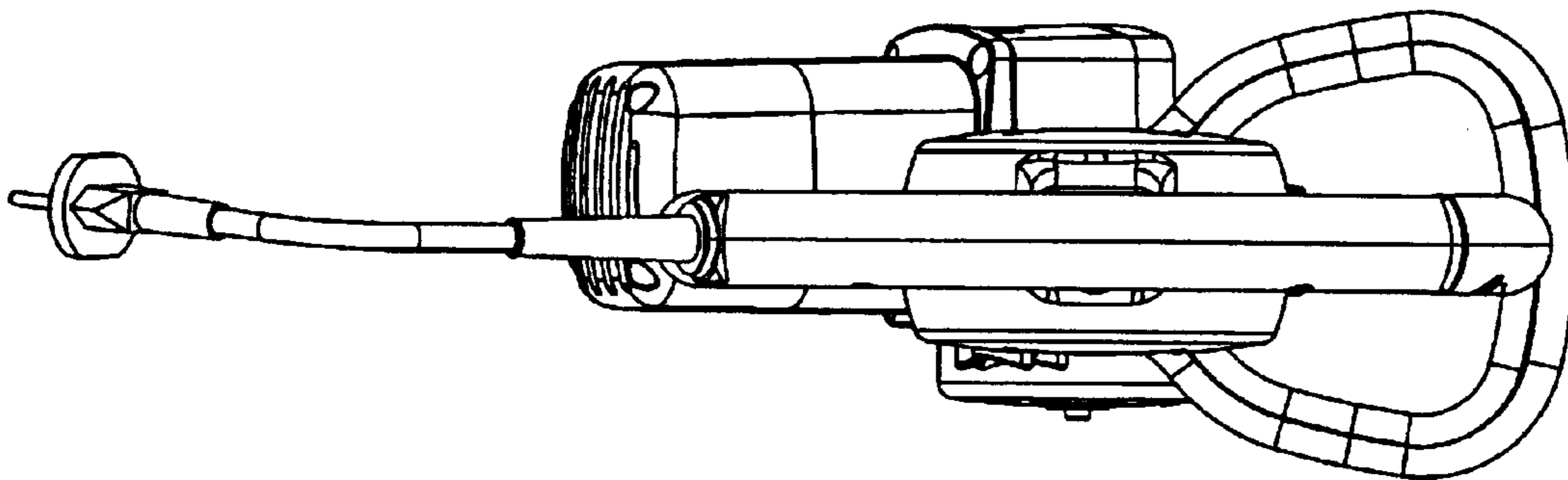


FIG. 9

