



US00D537310S

(12) **United States Design Patent**
McLean

(10) **Patent No.:** **US D537,310 S**

(45) **Date of Patent:** **** Feb. 27, 2007**

(54) **SCISSORS**

(75) Inventor: **Mark A. McLean**, Wausau, WI (US)

(73) Assignee: **Fiskars Brands, Inc.**, Madison, WI (US)

(**) Term: **14 Years**

(21) Appl. No.: **29/209,379**

(22) Filed: **Jul. 15, 2004**

(51) **LOC (8) Cl.** **08-03**

(52) **U.S. Cl.** **D8/57**

(58) **Field of Classification Search** D8/57,
D8/5, 98, 105, 107; D28/60; D24/148; 606/174;
30/28-29, 120, 130, 134-135, 145-146,
30/175, 194-204, 229-239, 244, 248, 255,
30/257, 261-262; 7/135

See application file for complete search history.

(56) **References Cited**

U.S. PATENT DOCUMENTS

D246,975 S	*	1/1978	Hampf	D14/191
D249,117 S	*	8/1978	Backstrom	D8/57
D266,309 S		9/1982	Linden		
4,420,884 A	*	12/1983	Hembling	30/266
4,715,122 A		12/1987	Linden		
D301,678 S		6/1989	Linden		
D318,780 S		8/1991	Bendickson et al.		
D338,604 S		8/1993	Ramsey		
D344,225 S		2/1994	Hendon et al.		
5,325,592 A		7/1994	Linden et al.		
D350,466 S		9/1994	Ramsey et al.		
D353,087 S		12/1994	Ramsey et al.		
D354,423 S		1/1995	Birkholz		

D358,748 S		5/1995	Ramsey et al.		
D361,026 S		8/1995	Ramsey		
D365,004 S		12/1995	Ramsey et al.		
D365,005 S		12/1995	Birkholz		
D377,248 S	*	1/1997	Kishi	D32/32
D380,657 S		7/1997	Cornell		
D383,958 S		9/1997	An et al.		
D387,647 S		12/1997	Linden		
D393,192 S		4/1998	Cornell		
D393,193 S		4/1998	Schneider et al.		
D395,992 S		7/1998	Bennett et al.		
D421,375 S		3/2000	Carlson et al.		
D456,230 S	*	4/2002	Gstalter	D8/57
D472,122 S	*	3/2003	Manson et al.	D8/57
D485,736 S	*	1/2004	Phillips et al.	D8/57

* cited by examiner

Primary Examiner—Pamela J. Burgess
(74) *Attorney, Agent, or Firm*—Foley & Lardner LLP

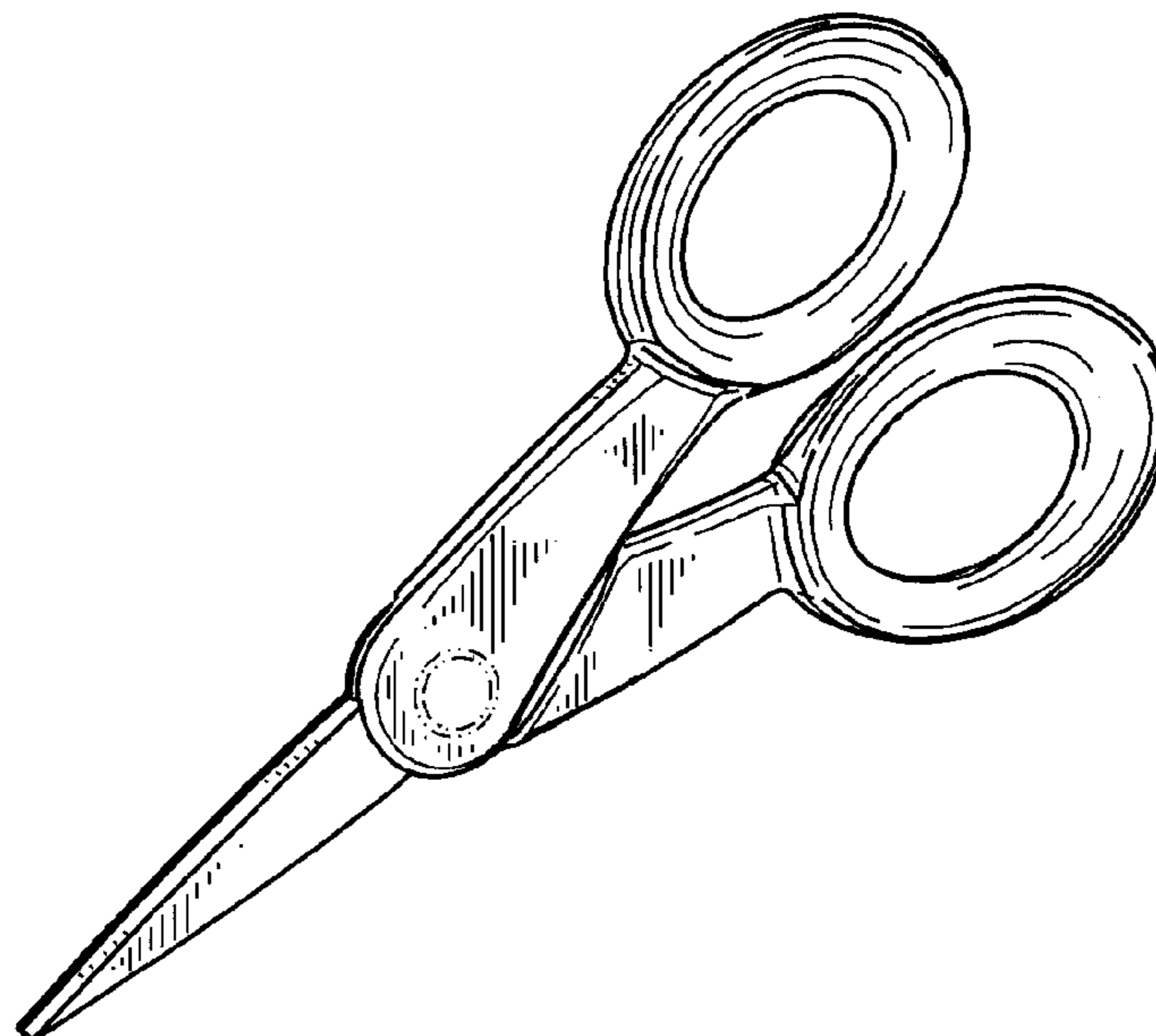
(57) **CLAIM**

We claim the ornamental design for scissors, as shown and described.

DESCRIPTION

FIG. 1 is a perspective view of a pair of scissors showing my new design;
FIG. 2 is a right side view thereof;
FIG. 3 is a top plan view thereof;
FIG. 4 is a front view thereof;
FIG. 5 is rear view thereof;
FIG. 6 is a bottom view thereof; and,
FIG. 7 is a left side view thereof.
The broken lines shown are for illustrative purposes only and form no part of the claimed design.

1 Claim, 2 Drawing Sheets



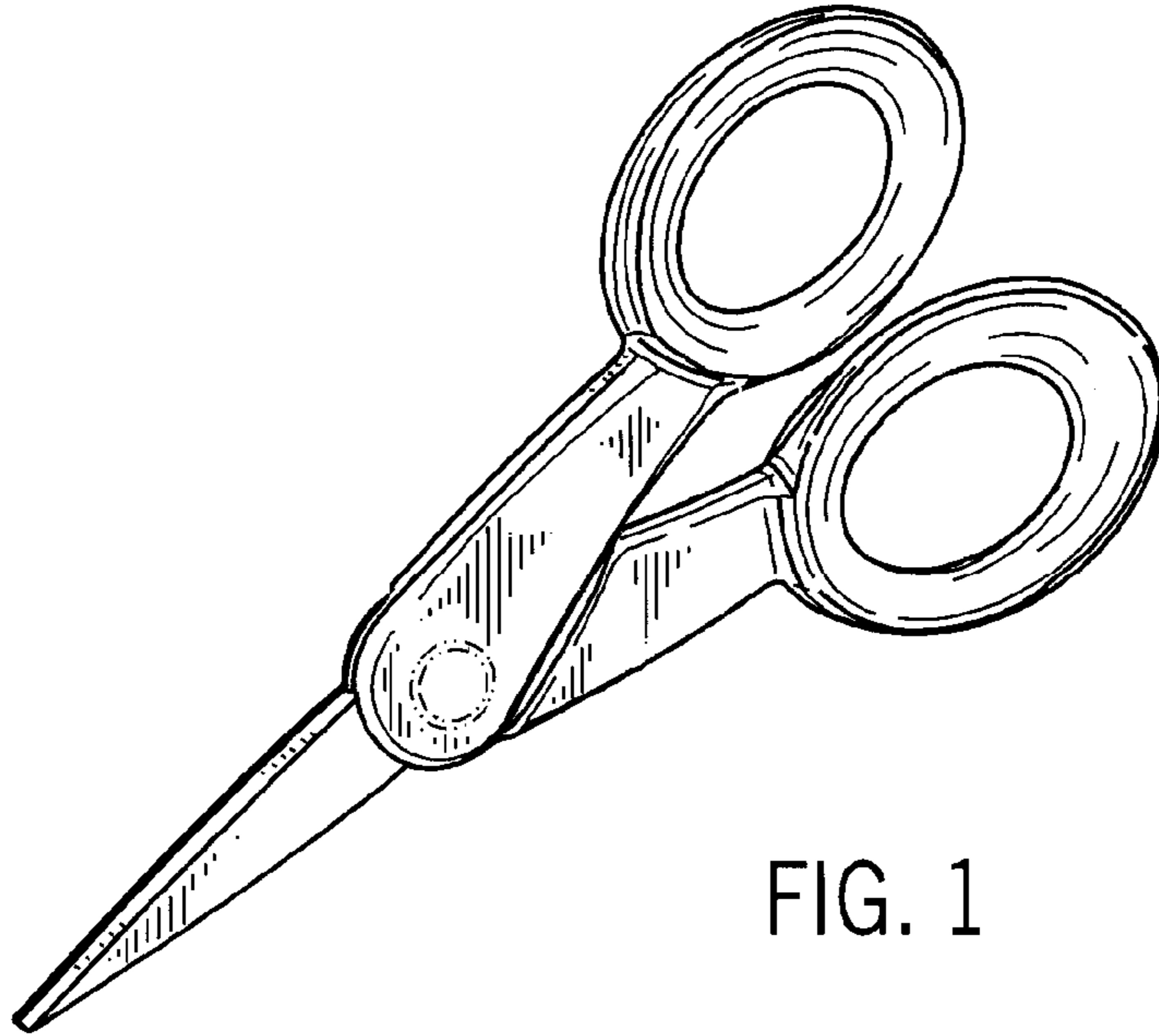


FIG. 1

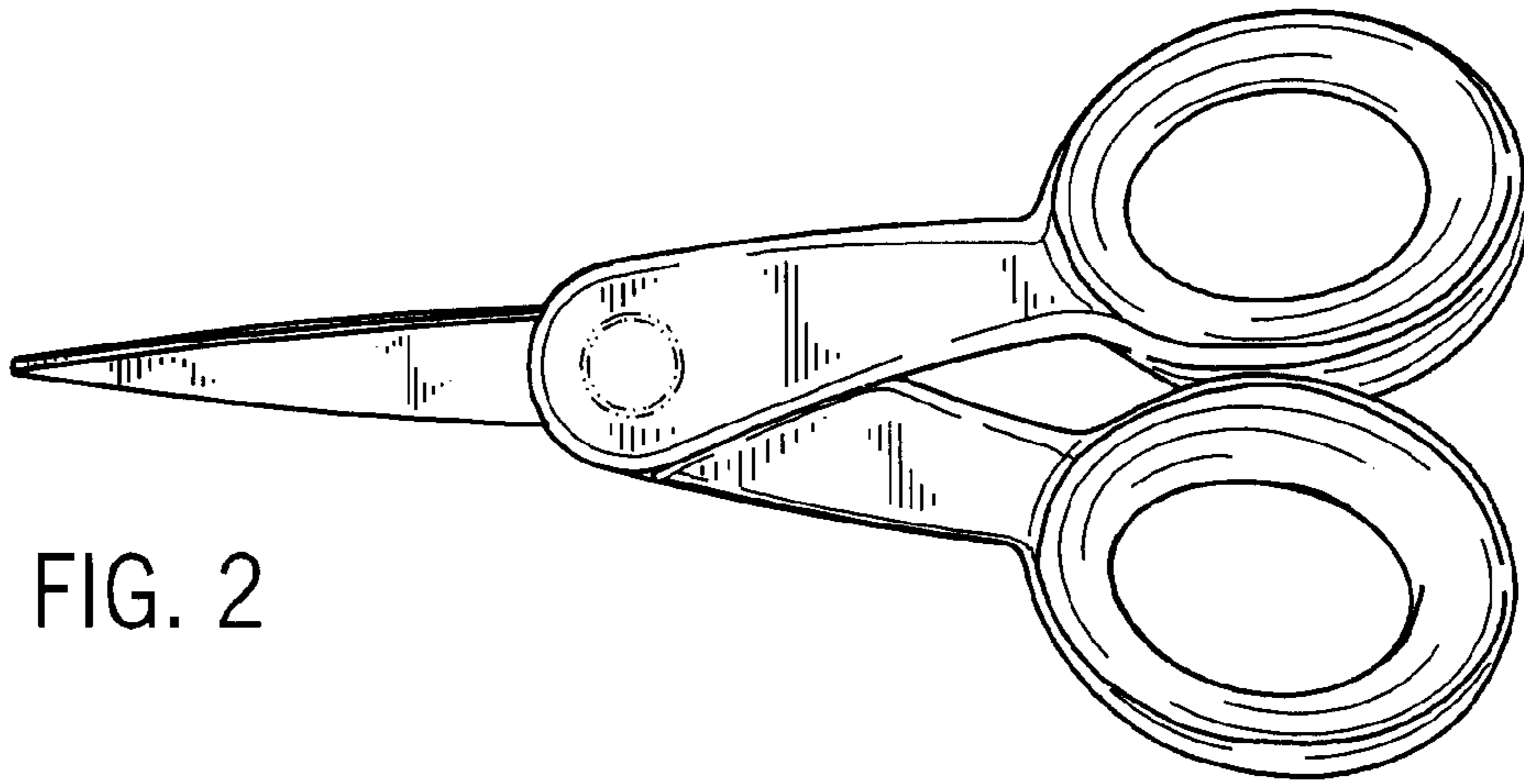


FIG. 2

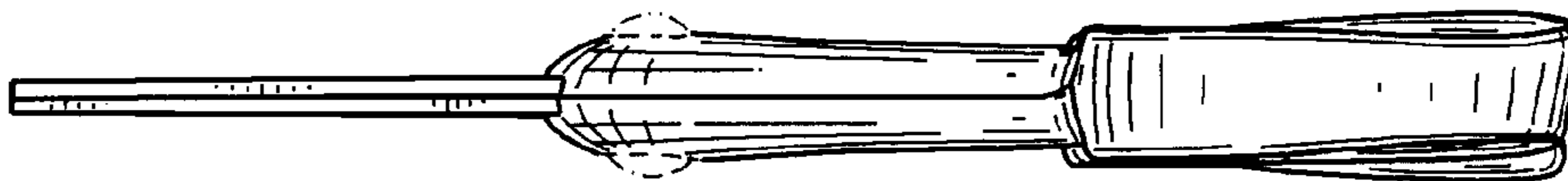


FIG. 3



FIG. 4

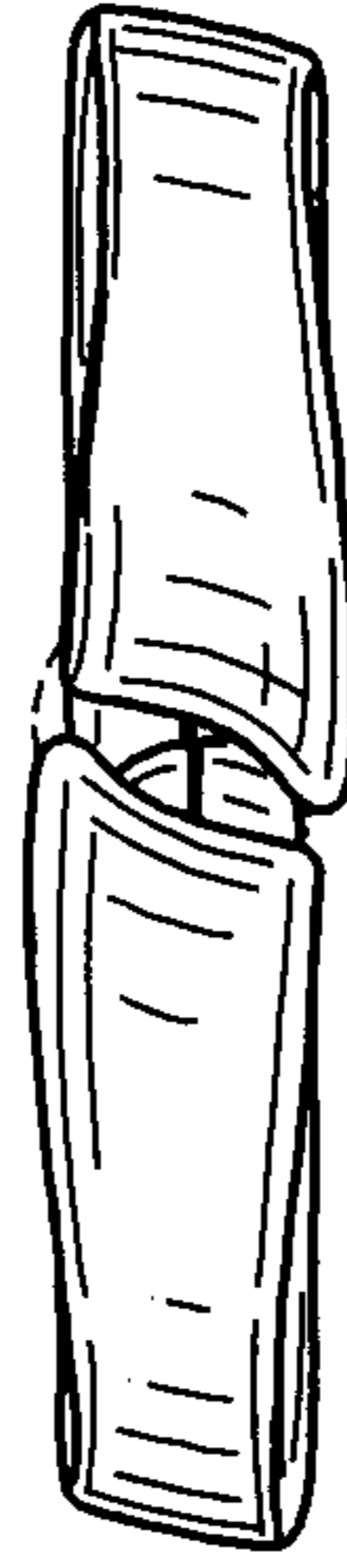


FIG. 5

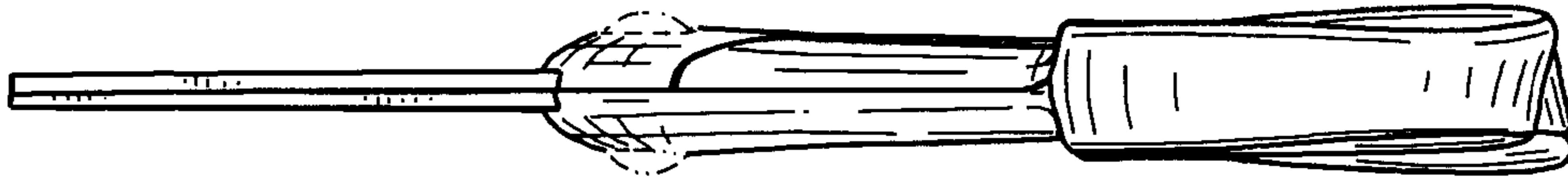


FIG. 6

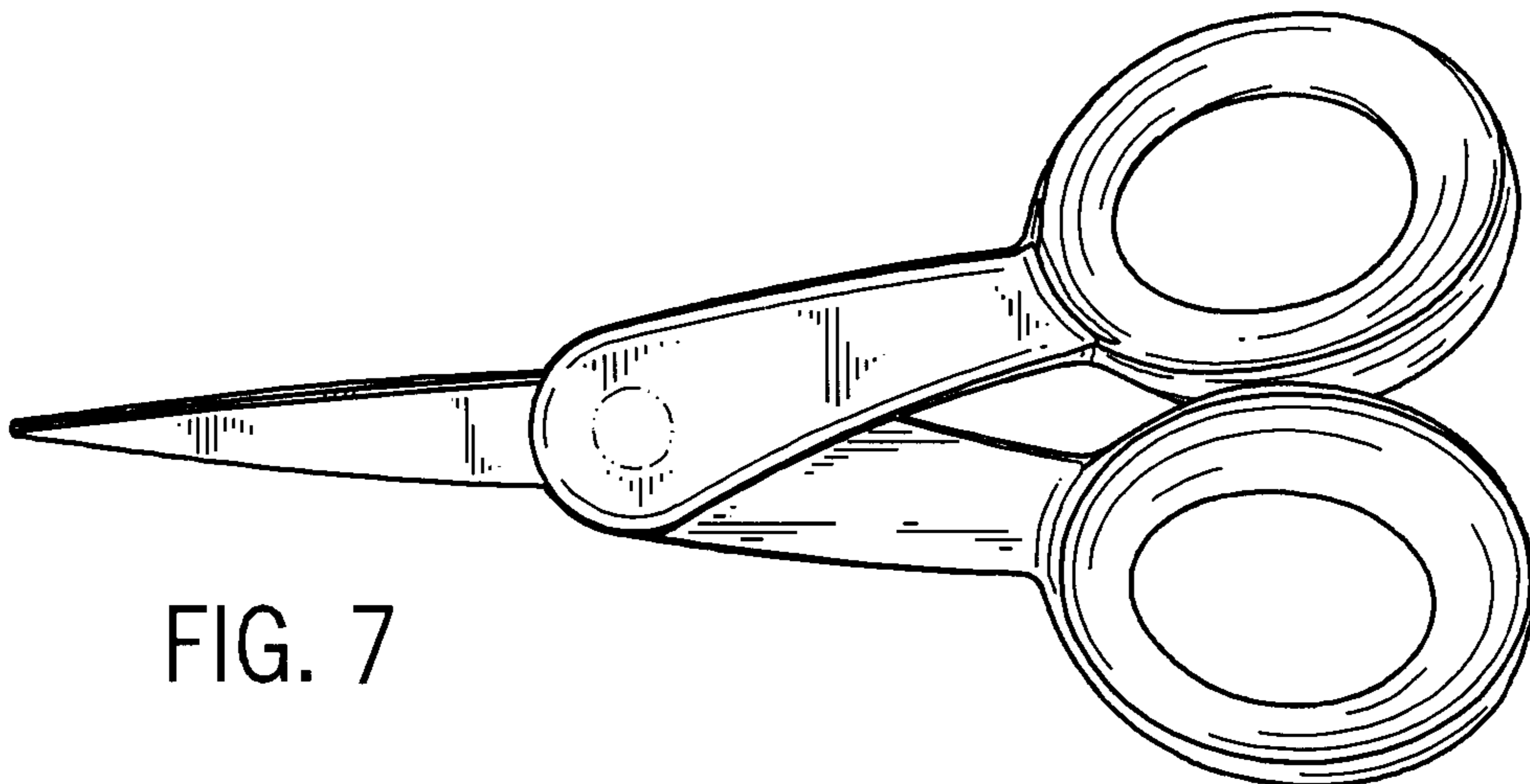


FIG. 7