



US00D537306S

(12) **United States Design Patent**  
**Roberson et al.**

(10) **Patent No.:** **US D537,306 S**

(45) **Date of Patent:** **\*\* Feb. 27, 2007**

(54) **NUT CRACKER**

D342,423 S \* 12/1993 Blaylock ..... D7/680  
D368,212 S \* 3/1996 Johnston ..... D8/52

(76) Inventors: **Le-Trinh Mai Roberson**, 3627 Agnes St., Houston, TX (US) 77087; **Hanh Mai Hernandez**, 7739 Oak Vista, Houston, TX (US) 77087

\* cited by examiner

*Primary Examiner*—Terry A. Wallace

(\*\*) Term: **14 Years**

(57) **CLAIM**

We claim the ornamental design for the nut cracker, as shown and described.

(21) Appl. No.: **29/255,859**

(22) Filed: **Mar. 14, 2006**

**DESCRIPTION**

(51) **LOC (8) Cl.** ..... **07-06**

(52) **U.S. Cl.** ..... **D7/680; D8/52**

(58) **Field of Classification Search** ..... D7/680,  
D7/666, 686, 687; D8/51, 52, 54, 56; 30/120.1–120.5;  
99/568–582; 100/234; 81/300–302, 315,  
81/316

FIG. 1 is a perspective view of the nut cracker showing our new design;  
FIG. 2 is the right side view thereof;  
FIG. 3 is the left side view thereof;  
FIG. 4 is the front open mouth view thereof;  
FIG. 5 is the back handle view thereof;  
FIG. 6 is the top plan view thereof; and,  
FIG. 7 is the bottom view thereof.

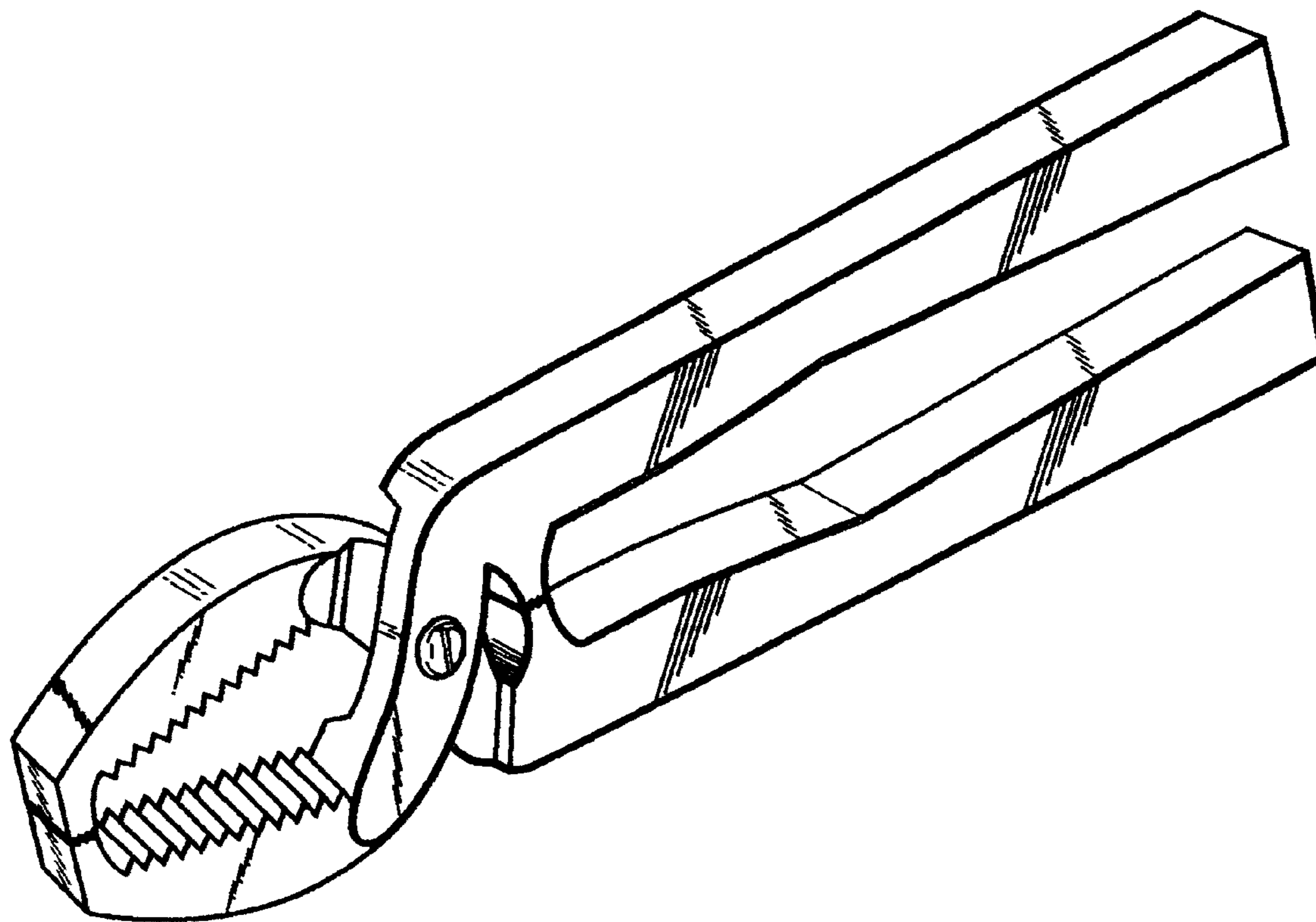
See application file for complete search history.

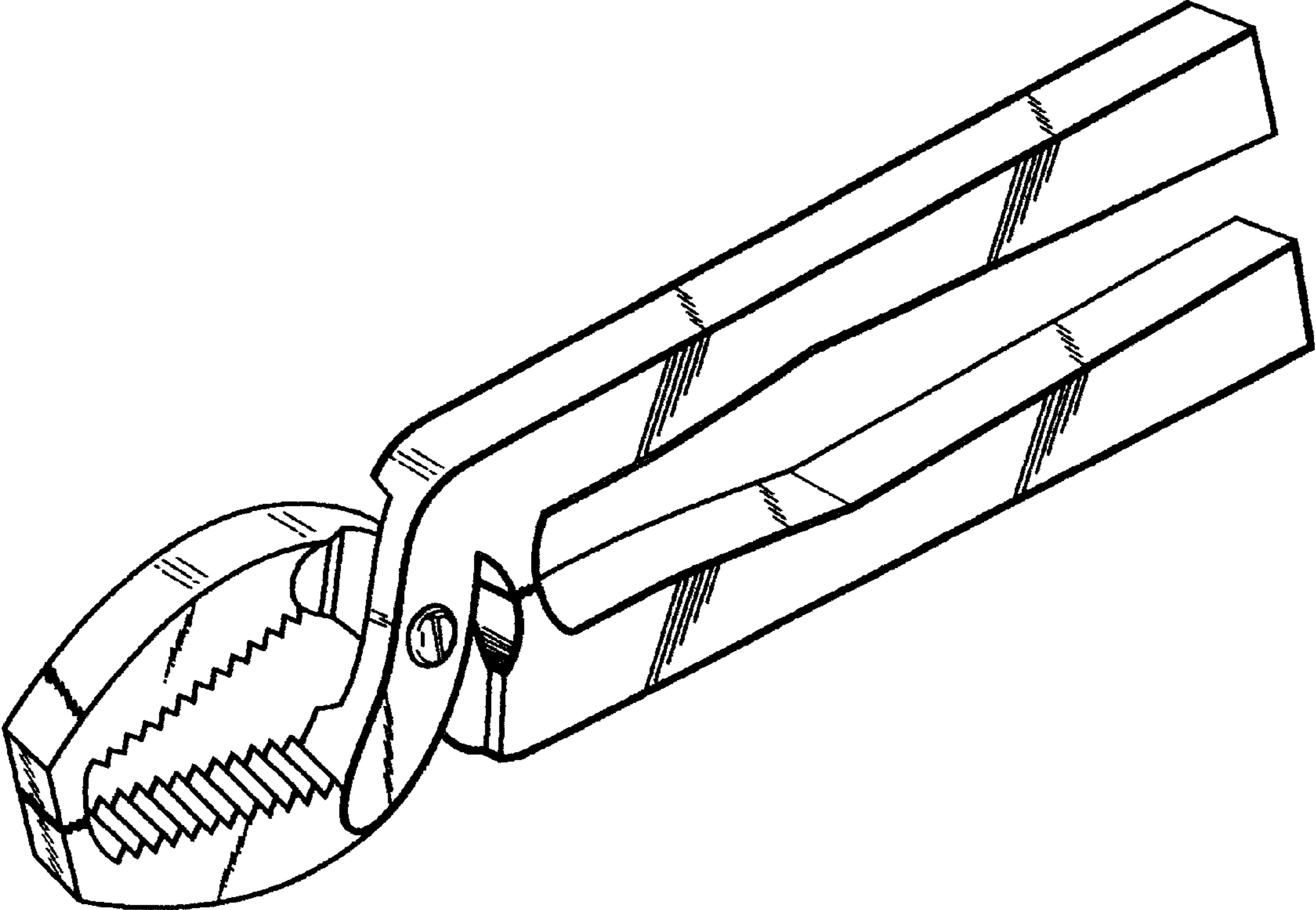
(56) **References Cited**

**U.S. PATENT DOCUMENTS**

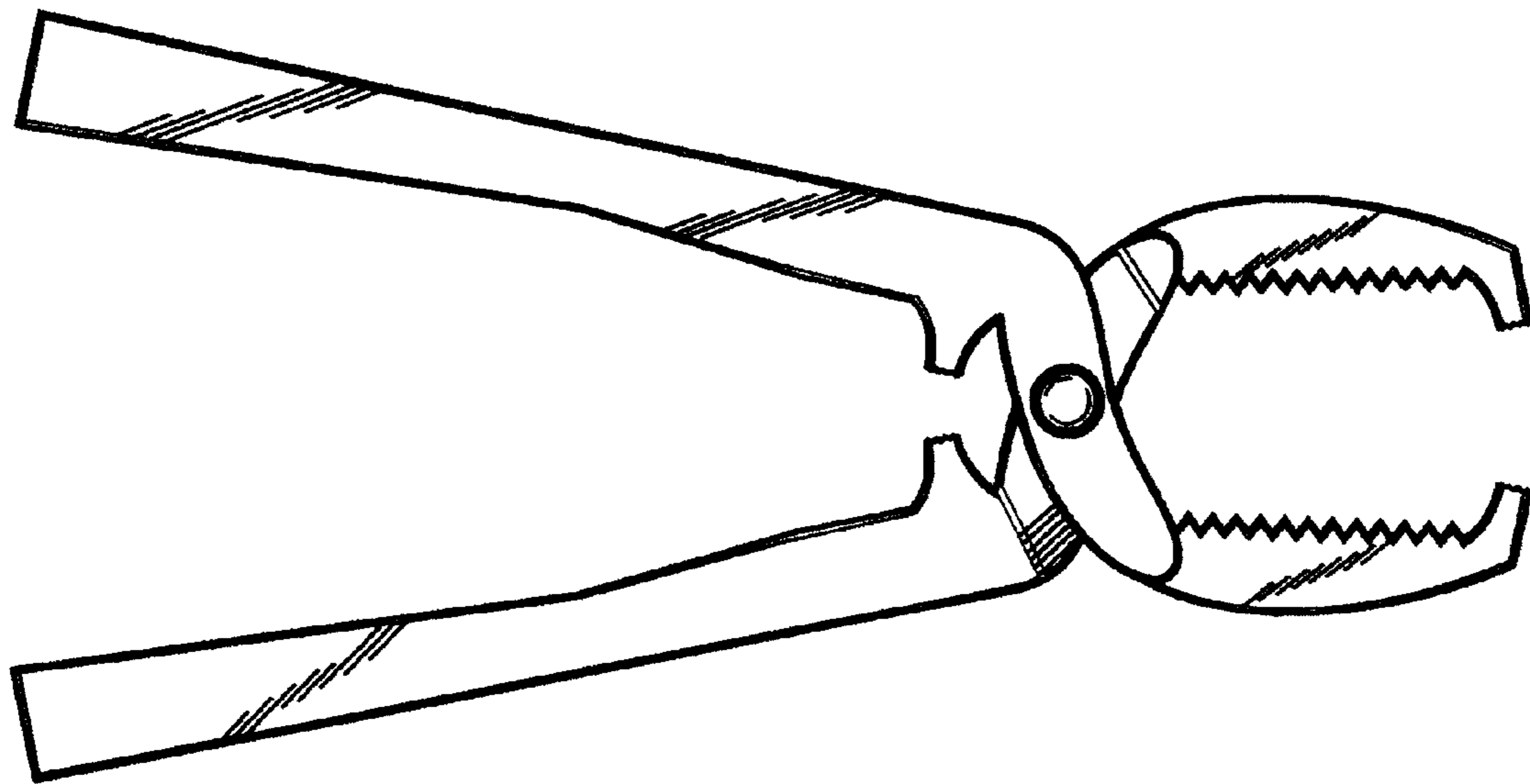
D297,603 S \* 9/1988 Zabarte ..... D7/687

**1 Claim, 3 Drawing Sheets**

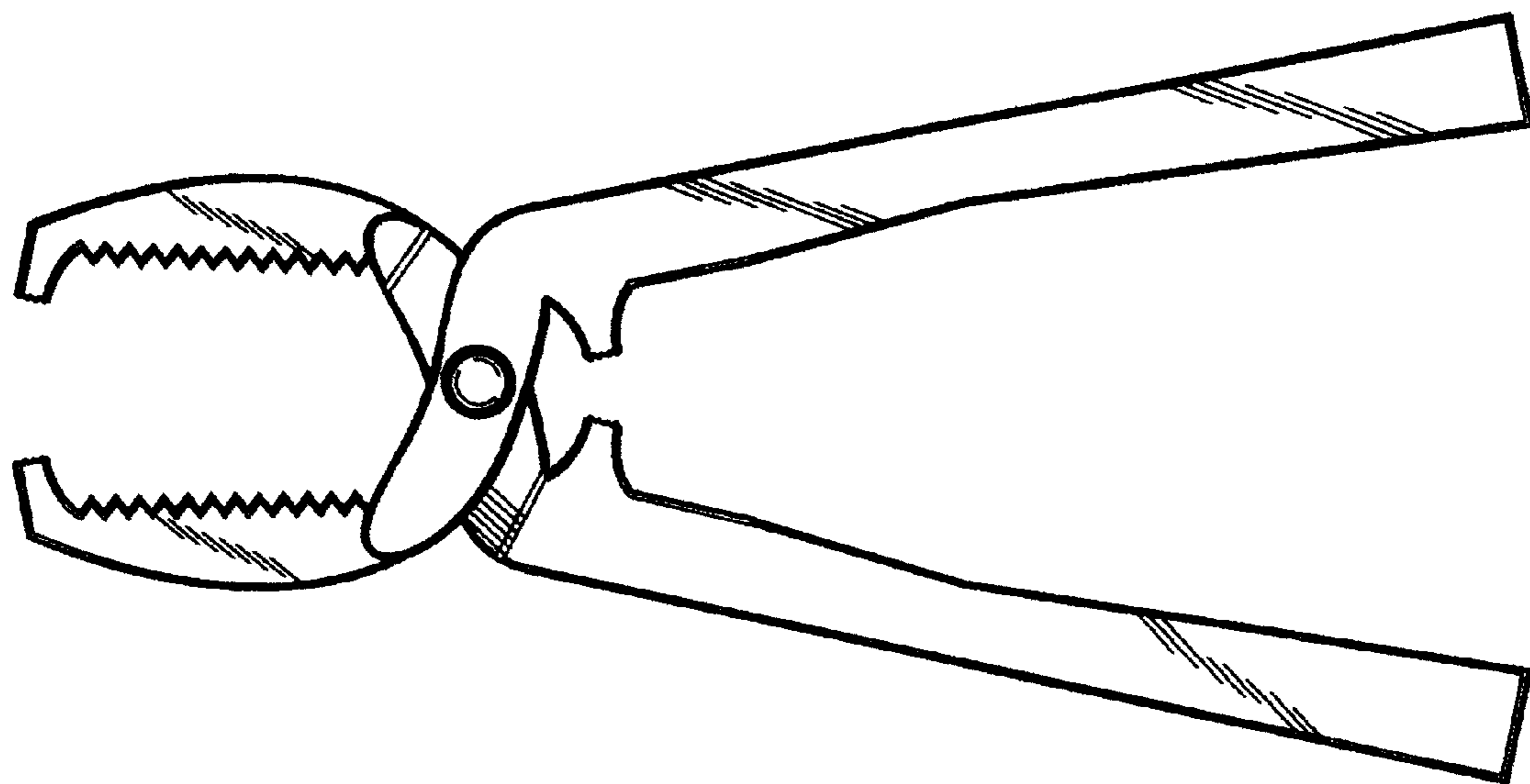




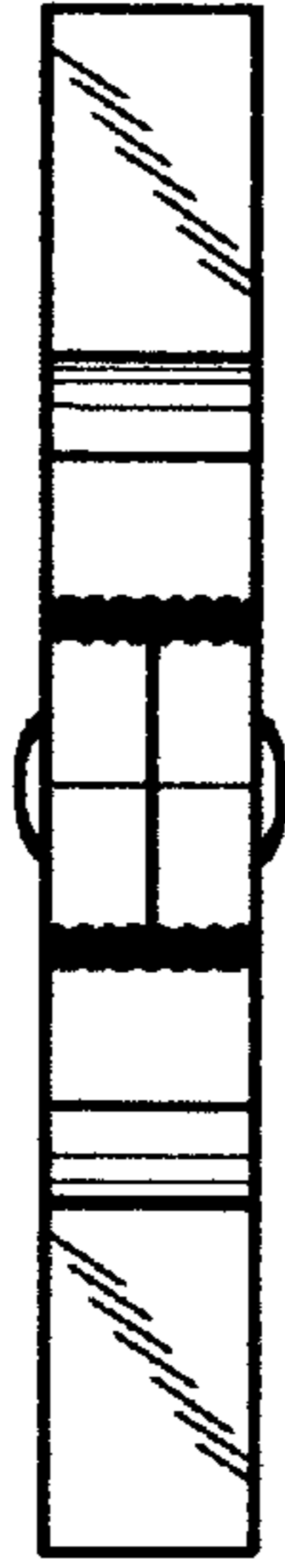
**Fig. 1**



**Fig. 2**



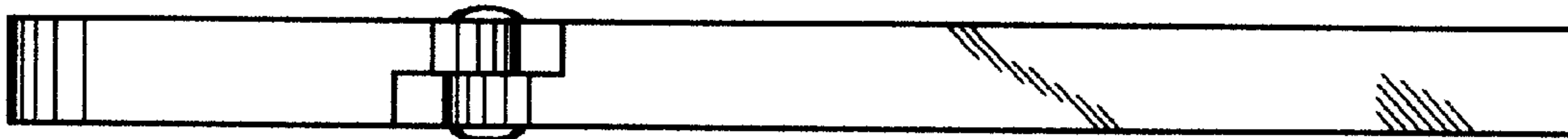
**Fig. 3**



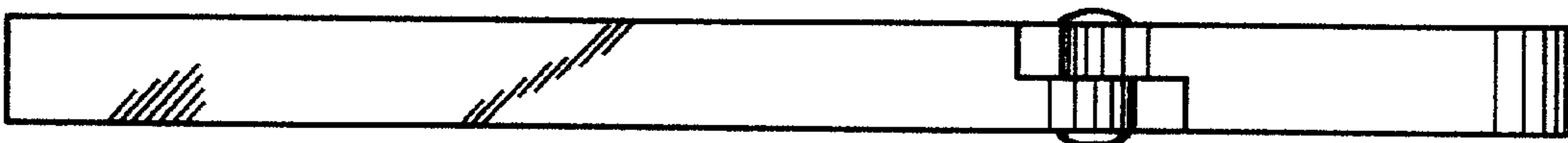
**Fig. 4**



**Fig. 5**



**Fig. 6**



**Fig. 7**