



US00D537305S

(12) **United States Design Patent**
Wan

(10) **Patent No.:** **US D537,305 S**

(45) **Date of Patent:** **** Feb. 27, 2007**

(54) **FOOD GRATER**

(75) Inventor: **Yiu Chung Wan**, Hong Kong (HK)

(73) Assignee: **Kwok Kuen So**, Hong Kong (HK)

(**) Term: **14 Years**

(21) Appl. No.: **29/258,118**

(22) Filed: **Apr. 17, 2006**

(30) **Foreign Application Priority Data**

Oct. 17, 2005 (HK) 0502499

(51) **LOC (8) Cl.** **07-04**

(52) **U.S. Cl.** **D7/678**

(58) **Field of Classification Search** D7/678,
D7/381, 372, 373, 693; 241/92-95, 168,
241/169, 169.1, 100, 273.1-273.4, 280, 287;
99/495, 508-513

See application file for complete search history.

(56) **References Cited**

U.S. PATENT DOCUMENTS

2,271,175 A * 1/1942 Mantelet 241/280

5,803,378 A * 9/1998 Wolters 241/93
D409,453 S * 5/1999 Blaise D7/678
D493,074 S * 7/2004 Brousseau et al. D7/678

* cited by examiner

Primary Examiner—Terry A. Wallace

(74) *Attorney, Agent, or Firm*—Alix, Yale & Ristas, LLP

(57) **CLAIM**

The ornamental design for a food grater, as shown and described.

DESCRIPTION

FIG. 1 is a rear, left side and top perspective view of a food grater showing my new design;

FIG. 2 is a front, right side and top perspective view; with a part thereof in an open condition

FIG. 3 is a left side elevational view thereof;

FIG. 4 is a right side elevational view thereof;

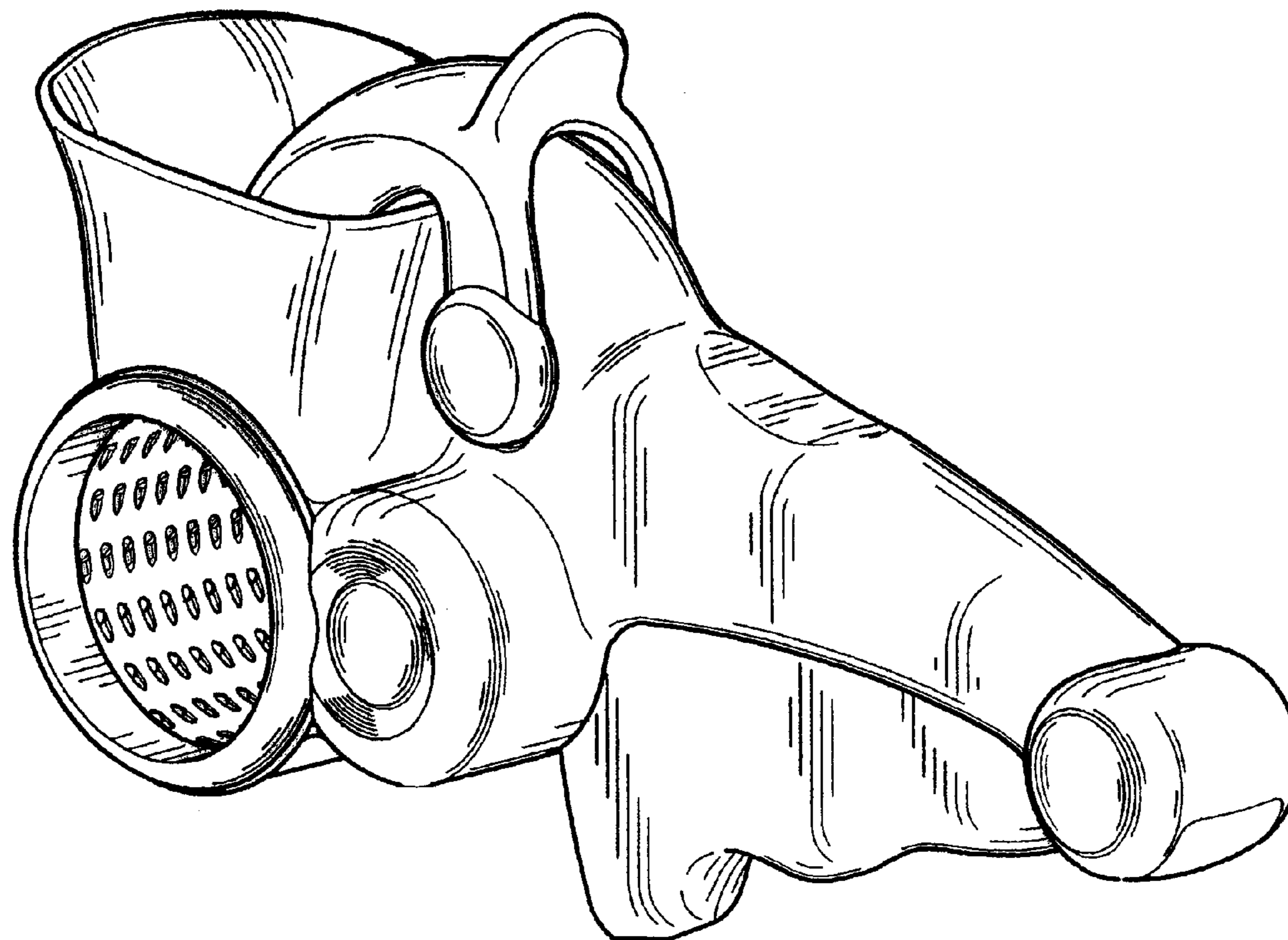
FIG. 5 is a front elevational view thereof;

FIG. 6 is a rear elevational view thereof;

FIG. 7 is a top plan view thereof; and,

FIG. 8 is a bottom plan view thereof.

1 Claim, 4 Drawing Sheets



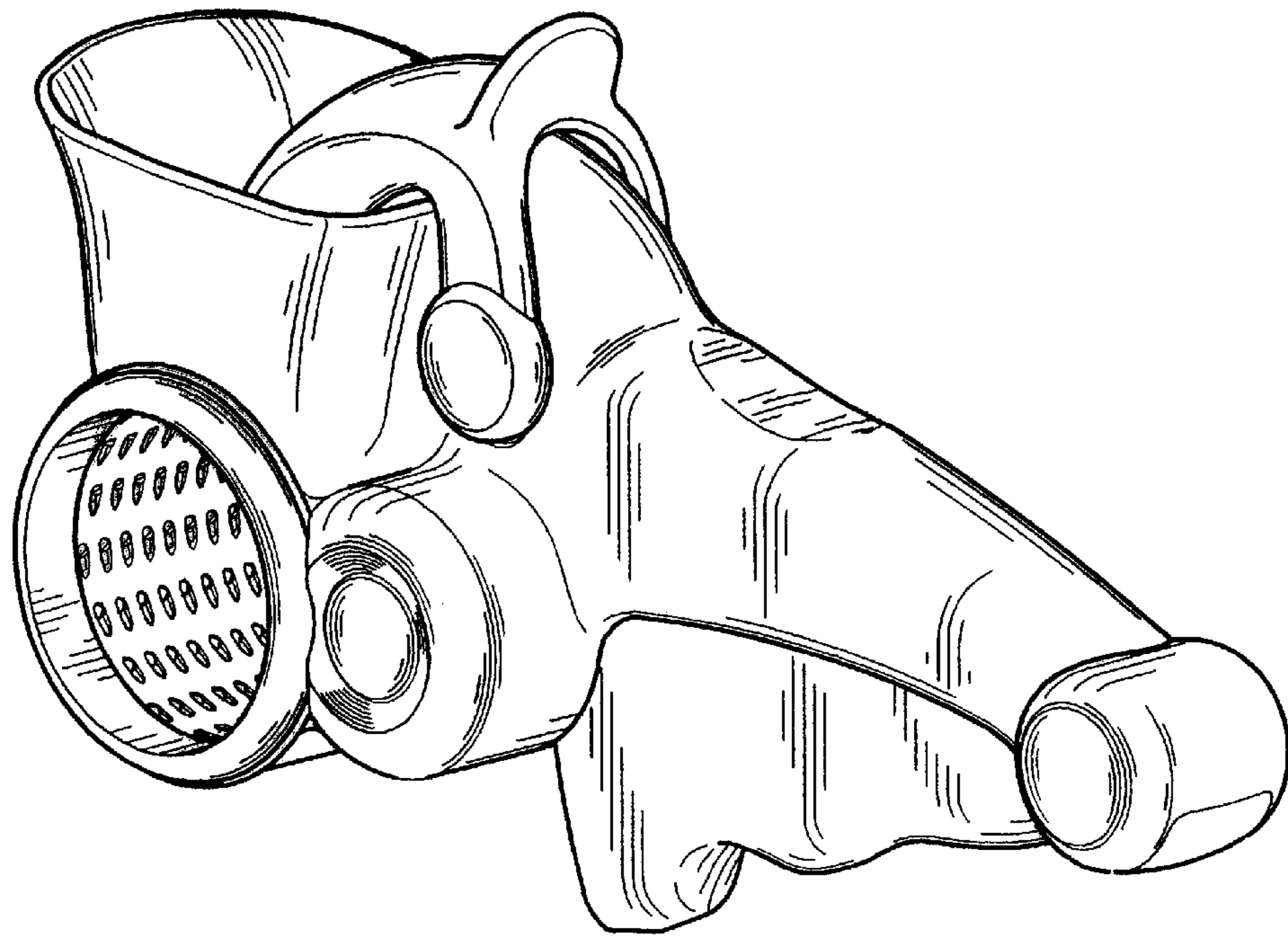


FIG. 1

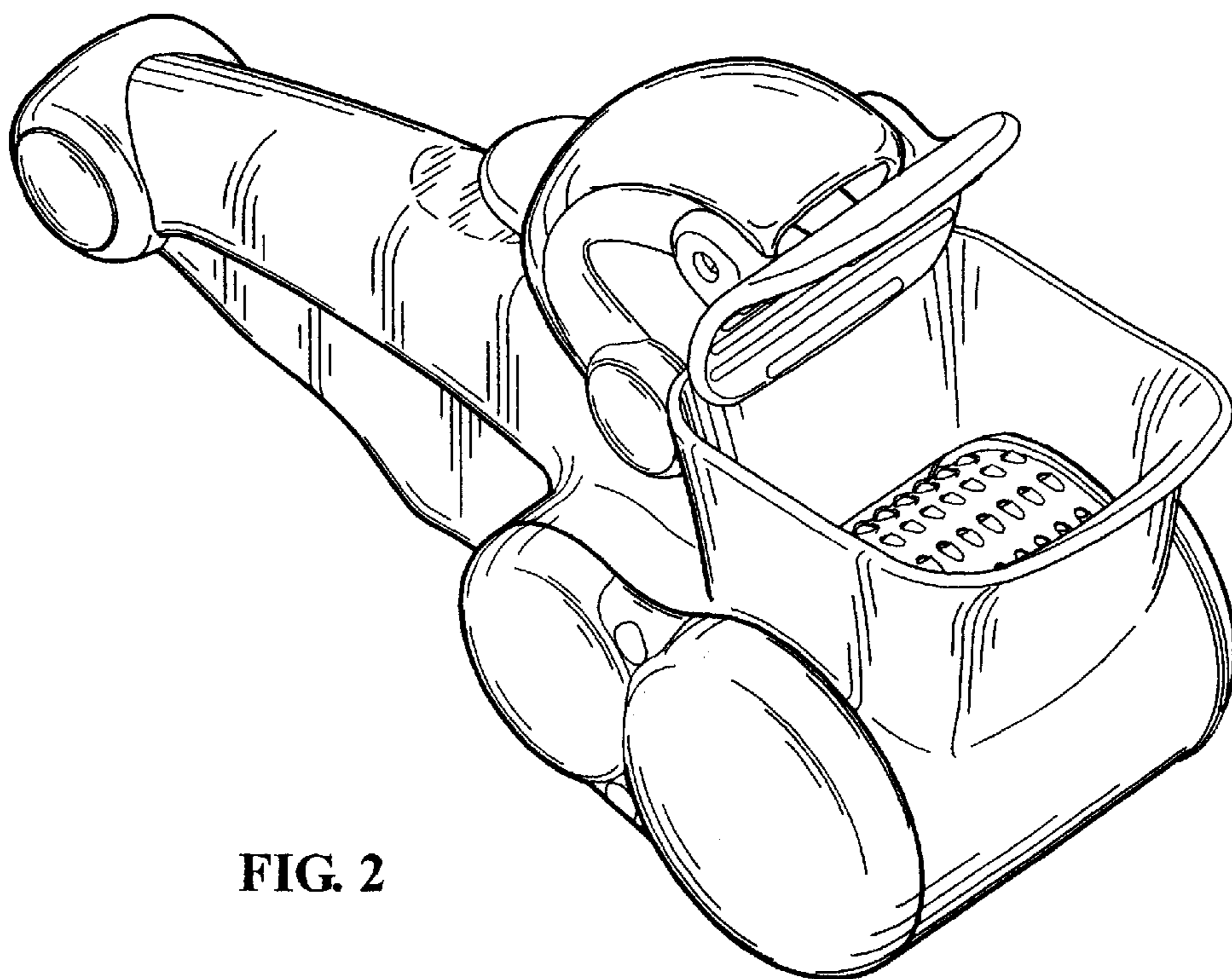


FIG. 2

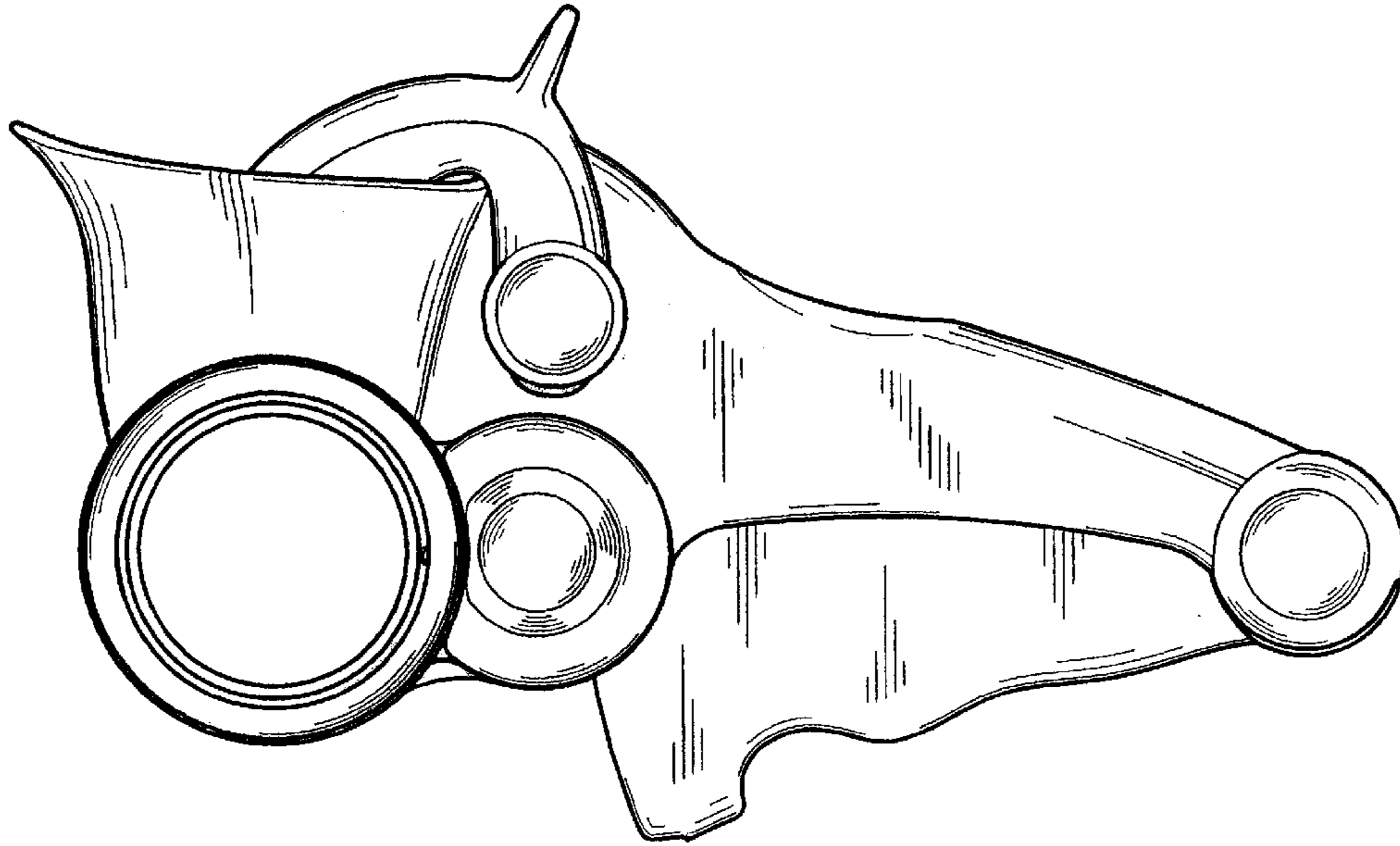


FIG. 3

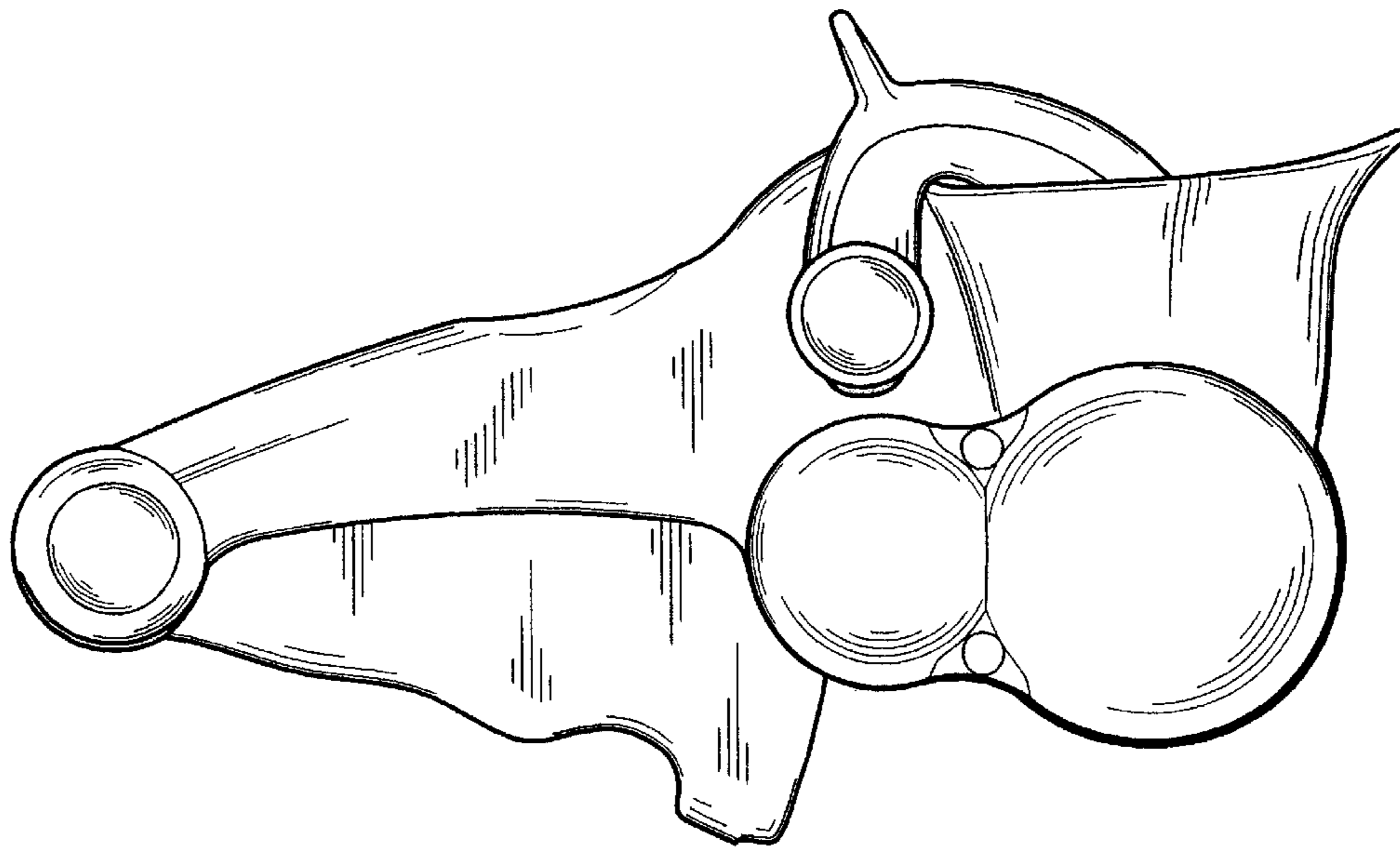


FIG. 4

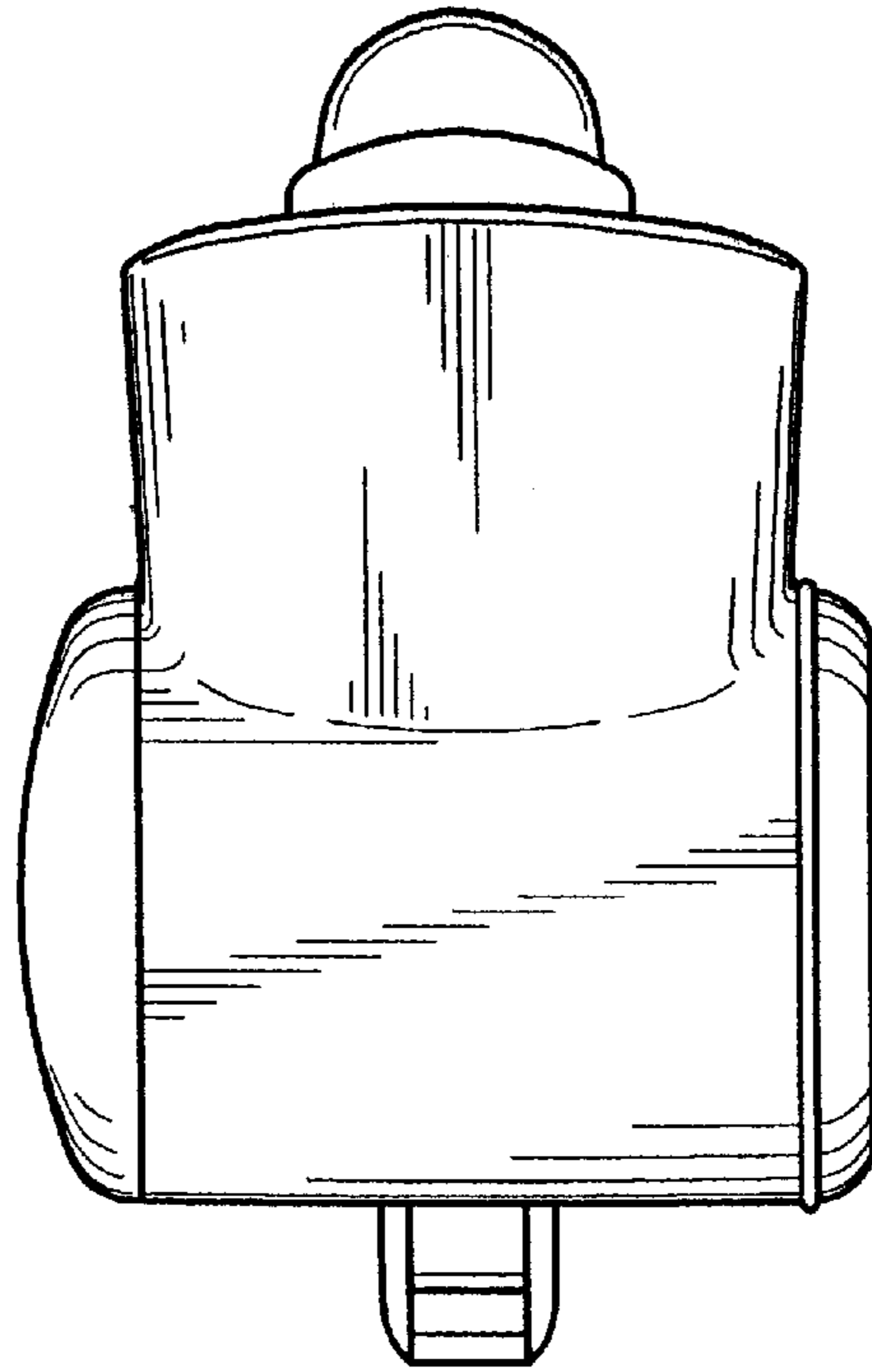


FIG. 5

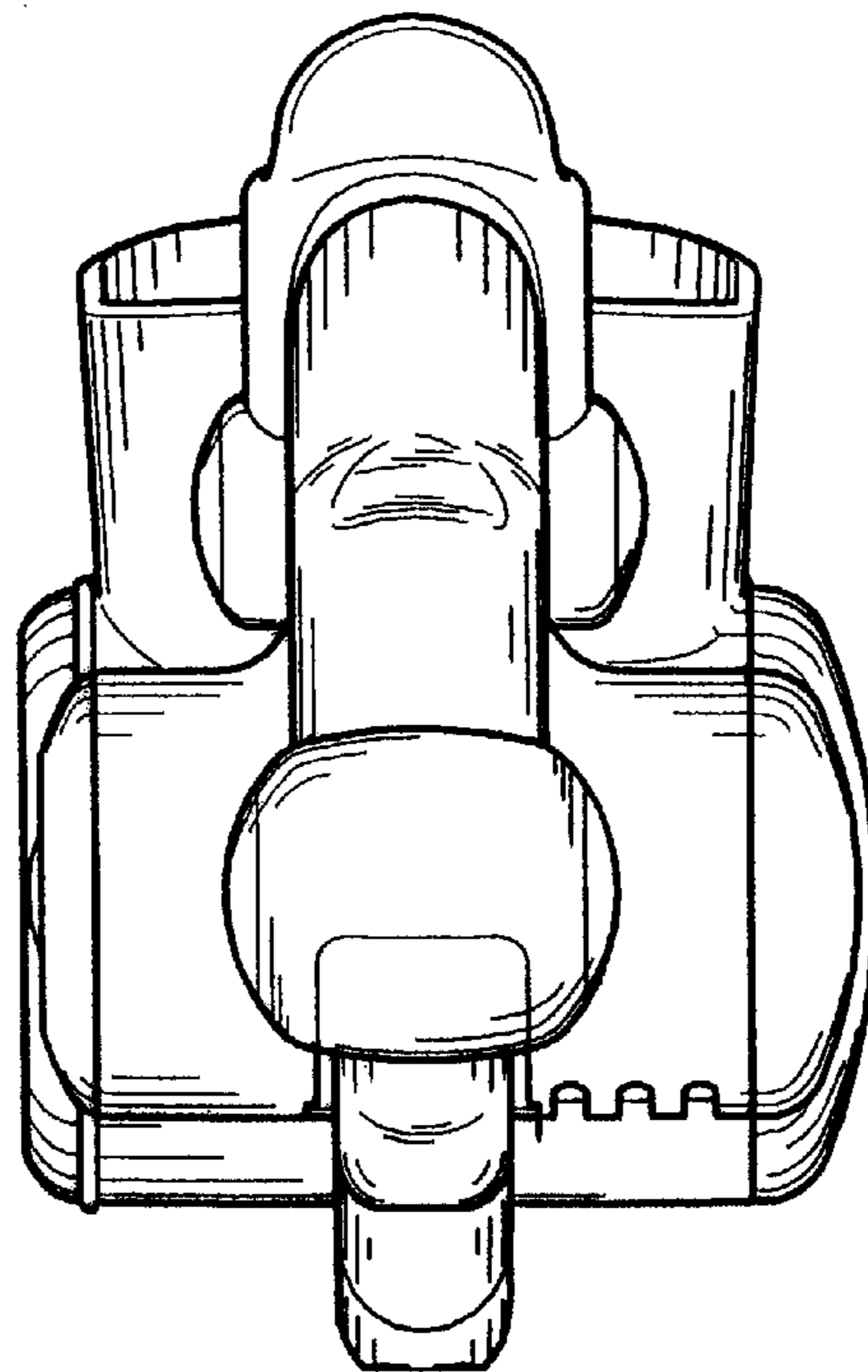


FIG. 6

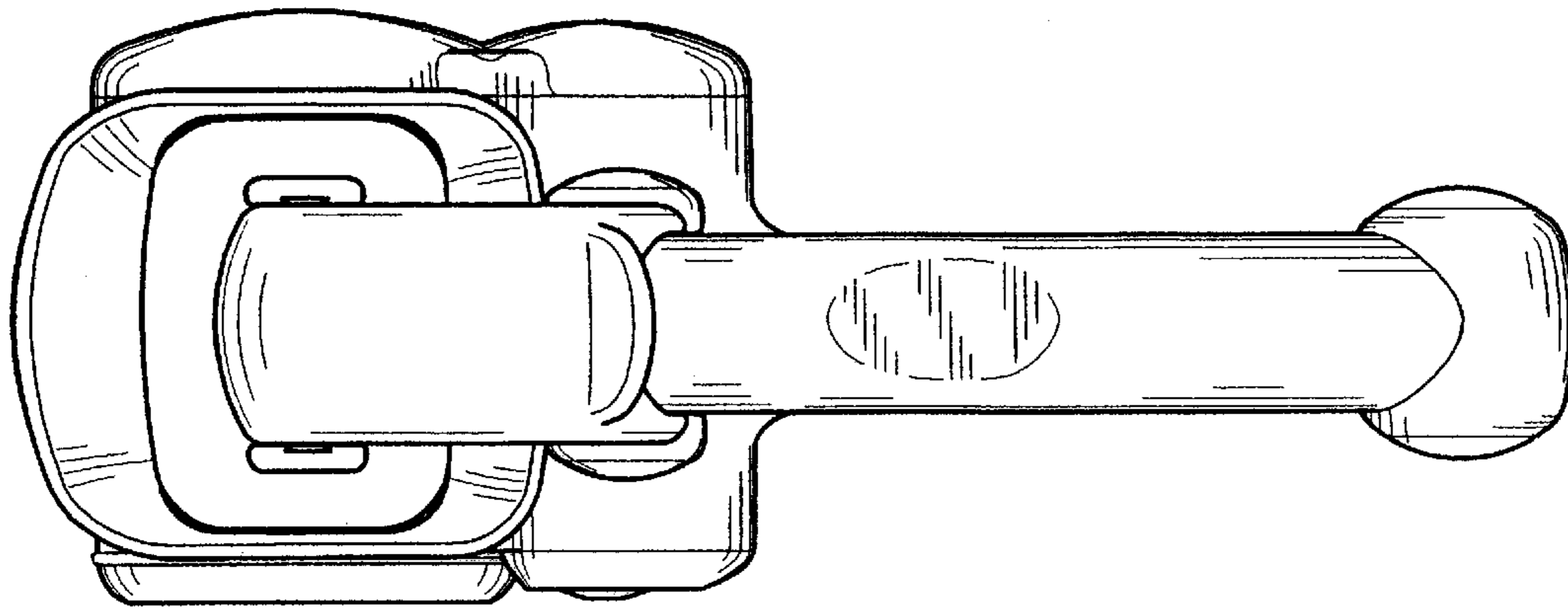


FIG. 7

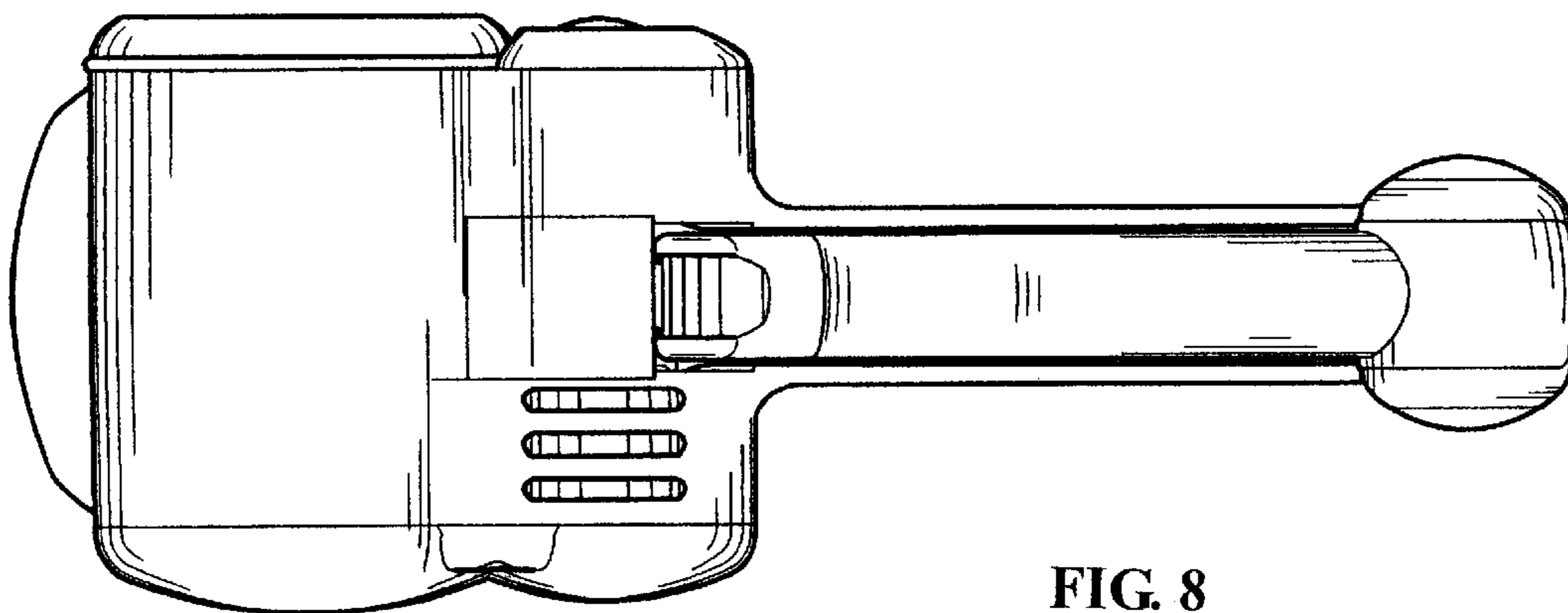


FIG. 8