



US00D537303S

(12) **United States Design Patent**
Stuckey

(10) **Patent No.:** **US D537,303 S**

(45) **Date of Patent:** **** Feb. 27, 2007**

(54) **BATTERY OPERATED PORTABLE JUICER AND BLENDER**

(76) Inventor: **Priscilla Stuckey**, 31 W. 124th St., Apt. 4N, New York, NY (US) 10027

(**) Term: **14 Years**

(21) Appl. No.: **29/247,522**

(22) Filed: **Jun. 23, 2006**

Related U.S. Application Data

(63) Continuation of application No. 11/110,275, filed on Apr. 20, 2005.

(51) **LOC (8) Cl.** **31-00**

(52) **U.S. Cl.** **D7/665; D7/378**

(58) **Field of Classification Search** D7/665,
D7/666, 372-378; 99/275, 348, 492-499,
99/501-513, 357; 241/33, 36, 37.5, 95, 100,
241/282.1, 282.2

See application file for complete search history.

(56) **References Cited**

U.S. PATENT DOCUMENTS

D153,645 S * 5/1949 Stiles D7/665
4,506,601 A * 3/1985 Ramirez et al. 99/511

D333,412 S * 2/1993 Levin D7/665
6,050,180 A * 4/2000 Moline 99/511
6,058,833 A * 5/2000 Ling et al. 99/510
D439,808 S * 4/2001 McClean et al. D7/665
6,412,404 B1 * 7/2002 Hsu 99/495
D475,582 S * 6/2003 To D7/665
6,814,323 B2 * 11/2004 Starr et al. 241/282.2
D506,360 S * 6/2005 Jørgensen D7/665

* cited by examiner

Primary Examiner—Terry A. Wallace

(74) *Attorney, Agent, or Firm*—Shook, Hardy & Bacon LLP

(57) **CLAIM**

The ornamental design for a battery operated portable juicer and blender, as shown and described.

DESCRIPTION

FIG. 1 is a perspective view, according to the present invention;

FIG. 2 is a top elevational view thereof;

FIG. 3 is a front right-side elevational view thereof;

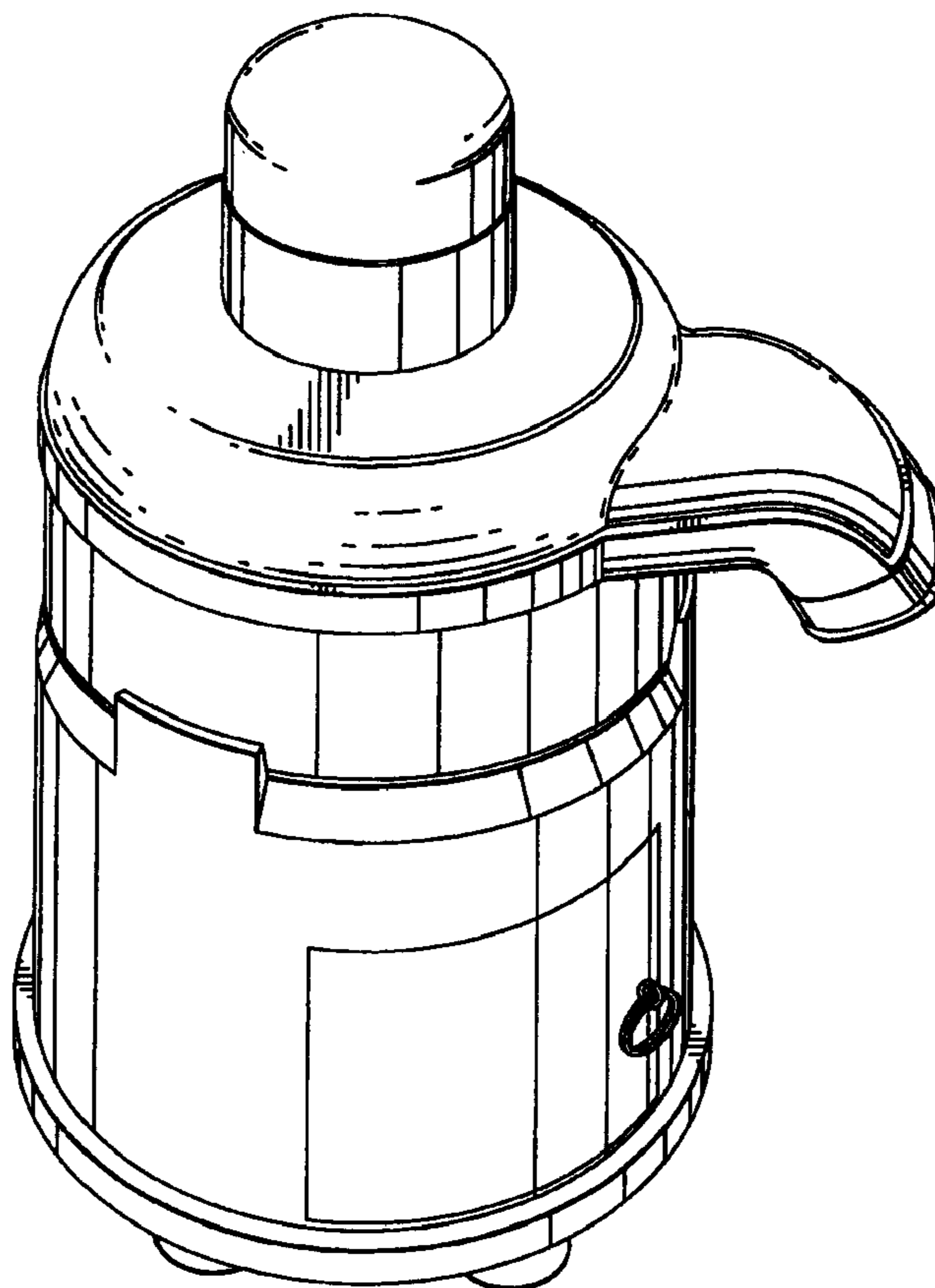
FIG. 4; is a front left-side elevational view thereof;

FIG. 5 is a back left-side elevational view thereof;

FIG. 6 is a back right-side elevational view thereof; and,

FIG. 7 is a bottom elevational view.

1 Claim, 3 Drawing Sheets



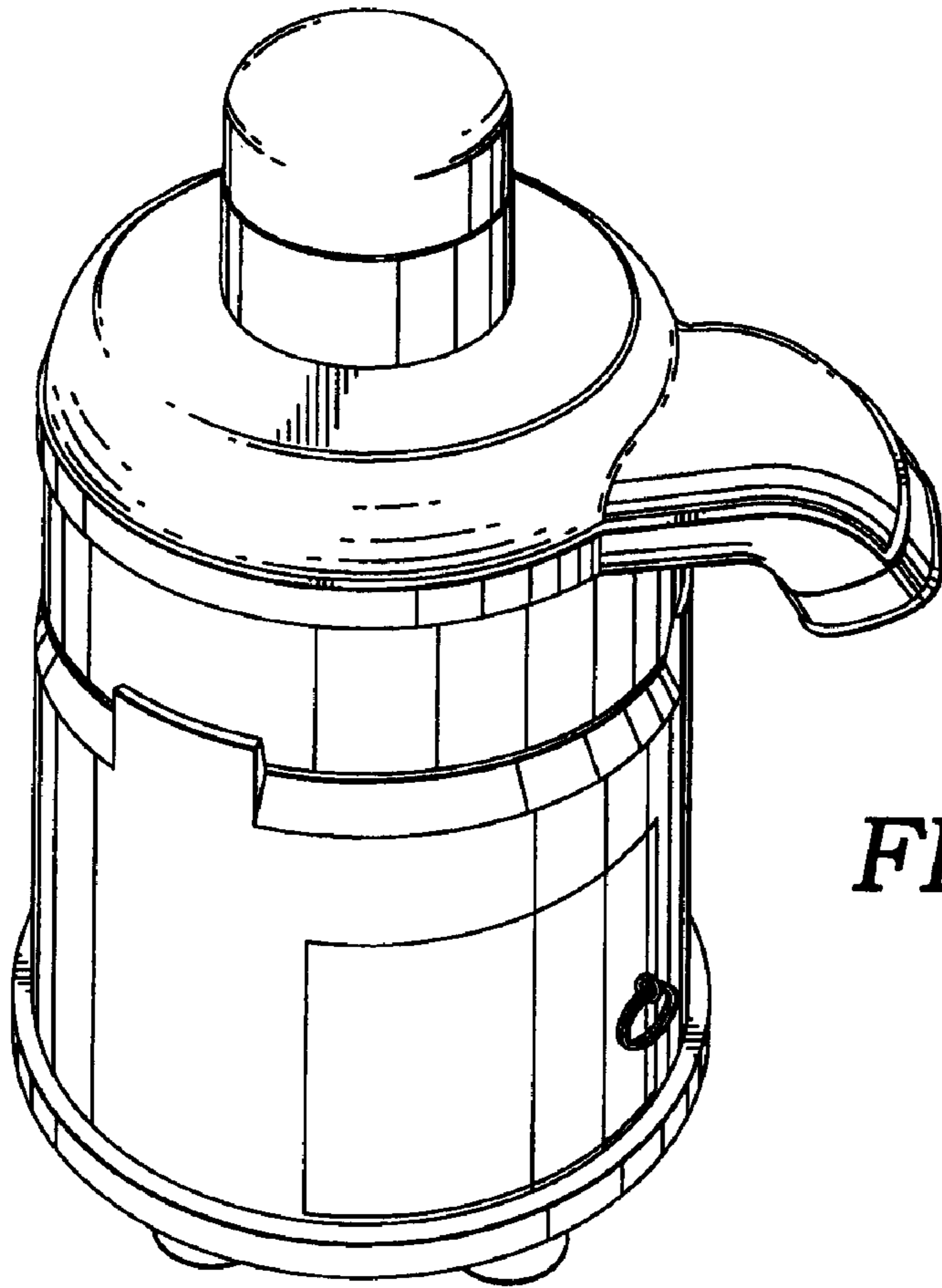
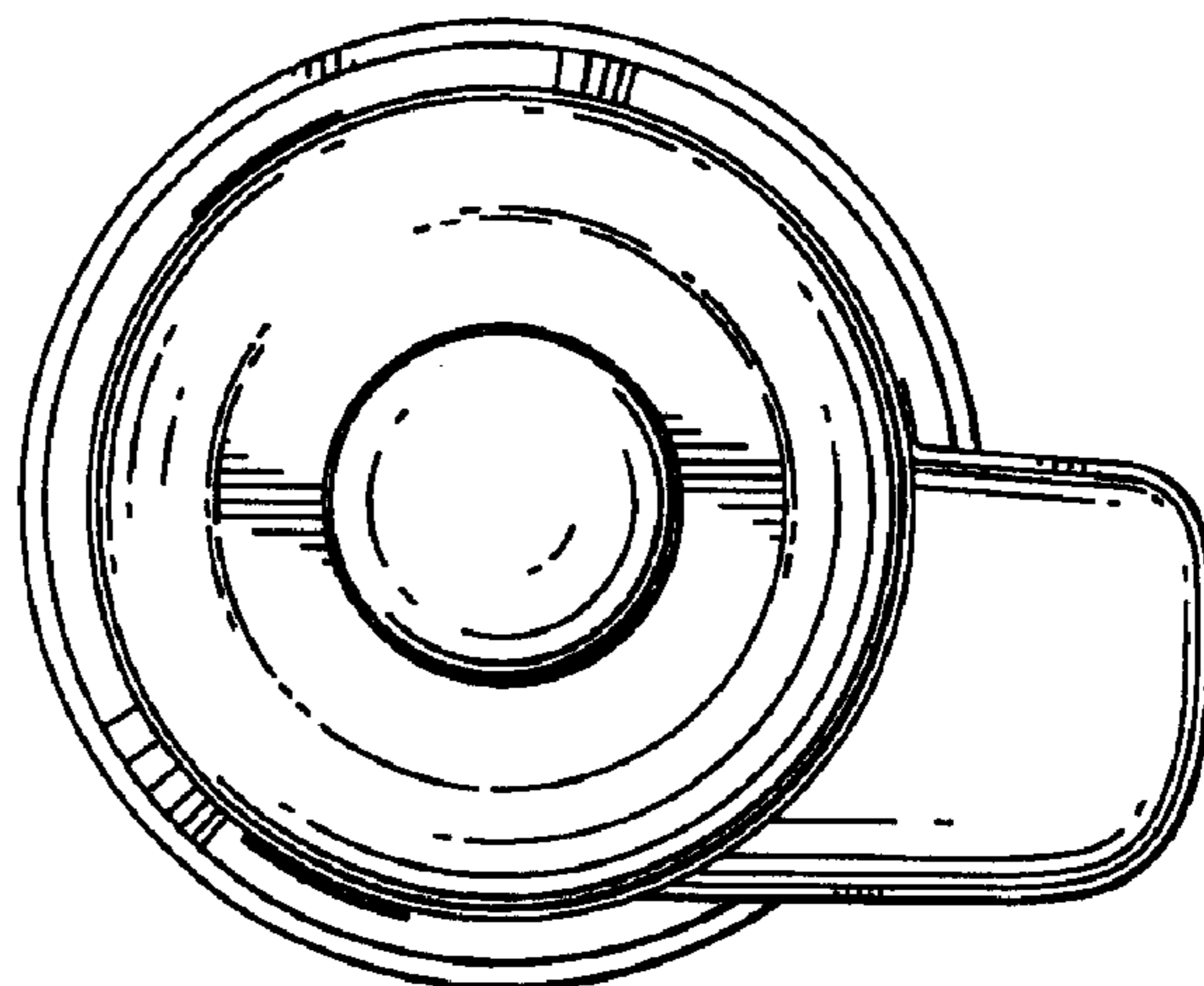


FIG. 1.

FIG. 2.



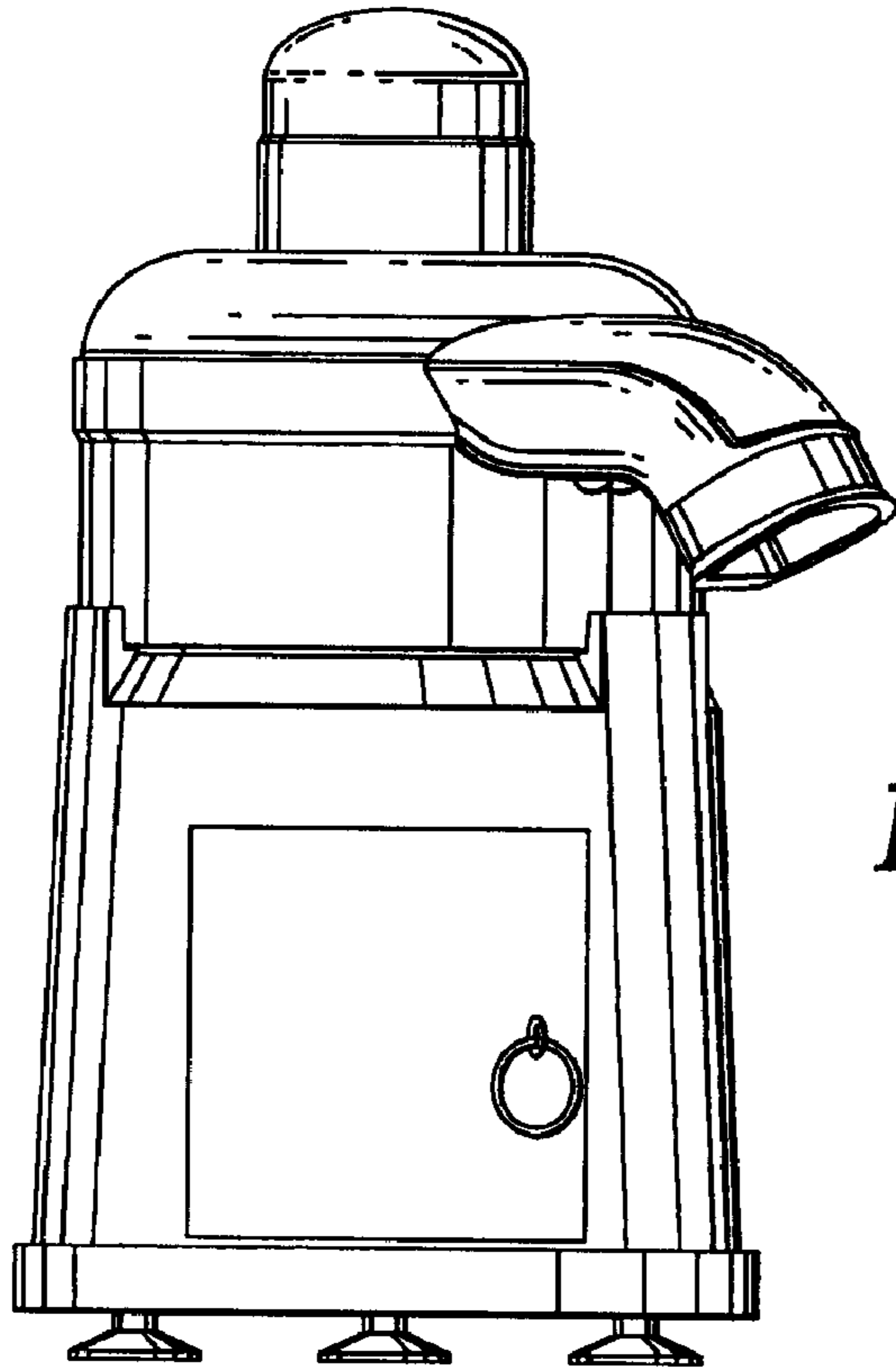


FIG. 3.

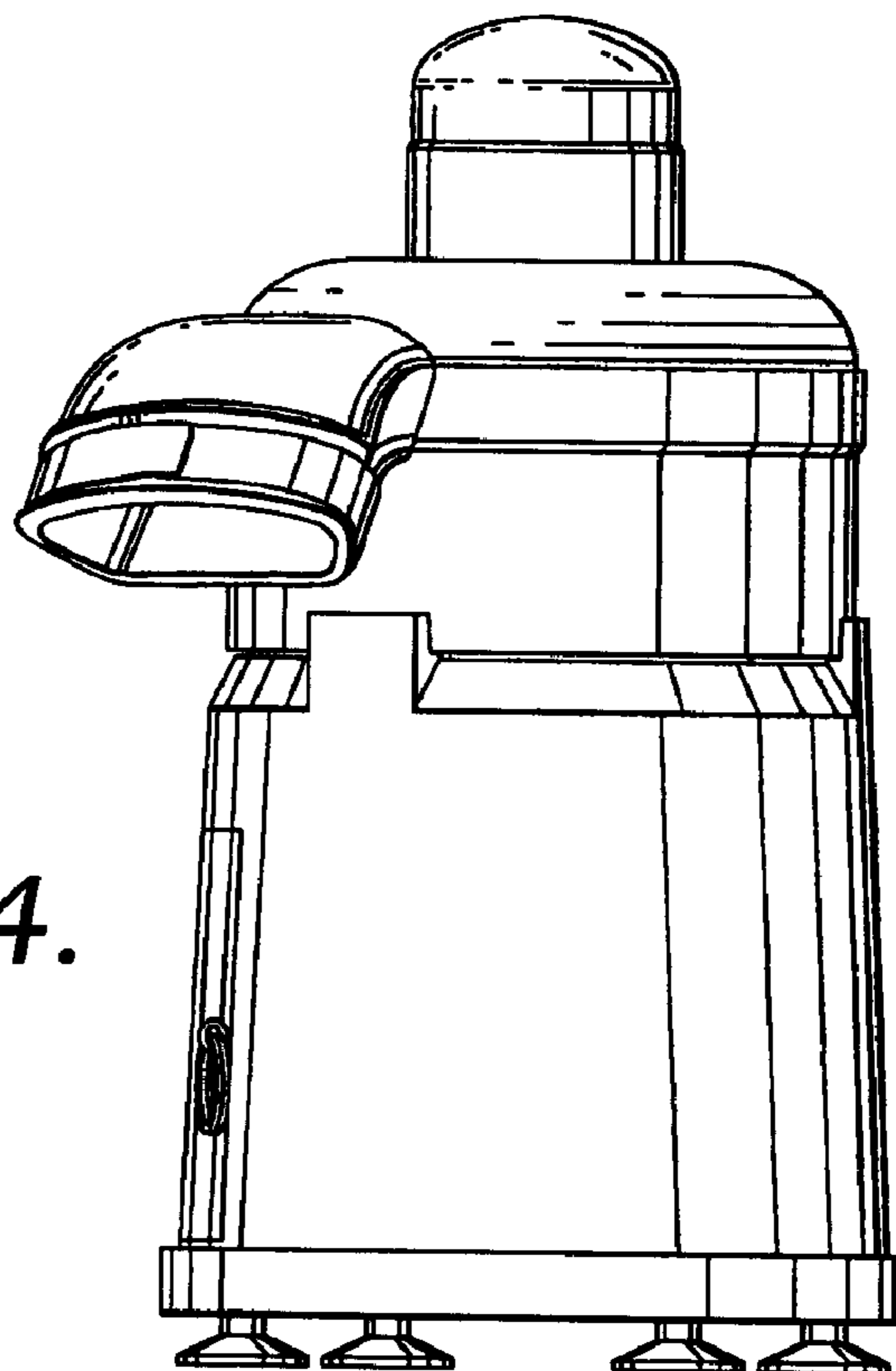


FIG. 4.

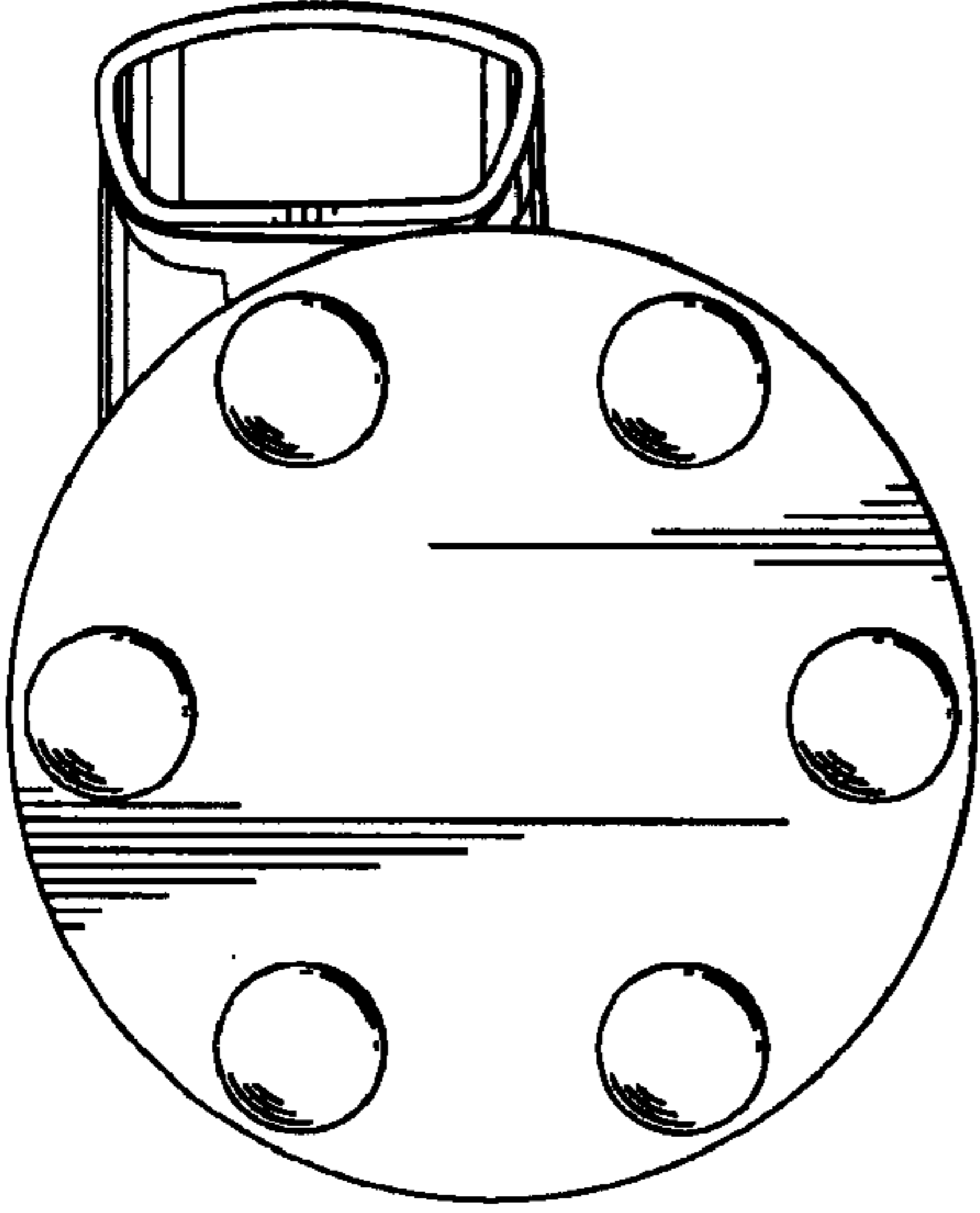


FIG. 7.

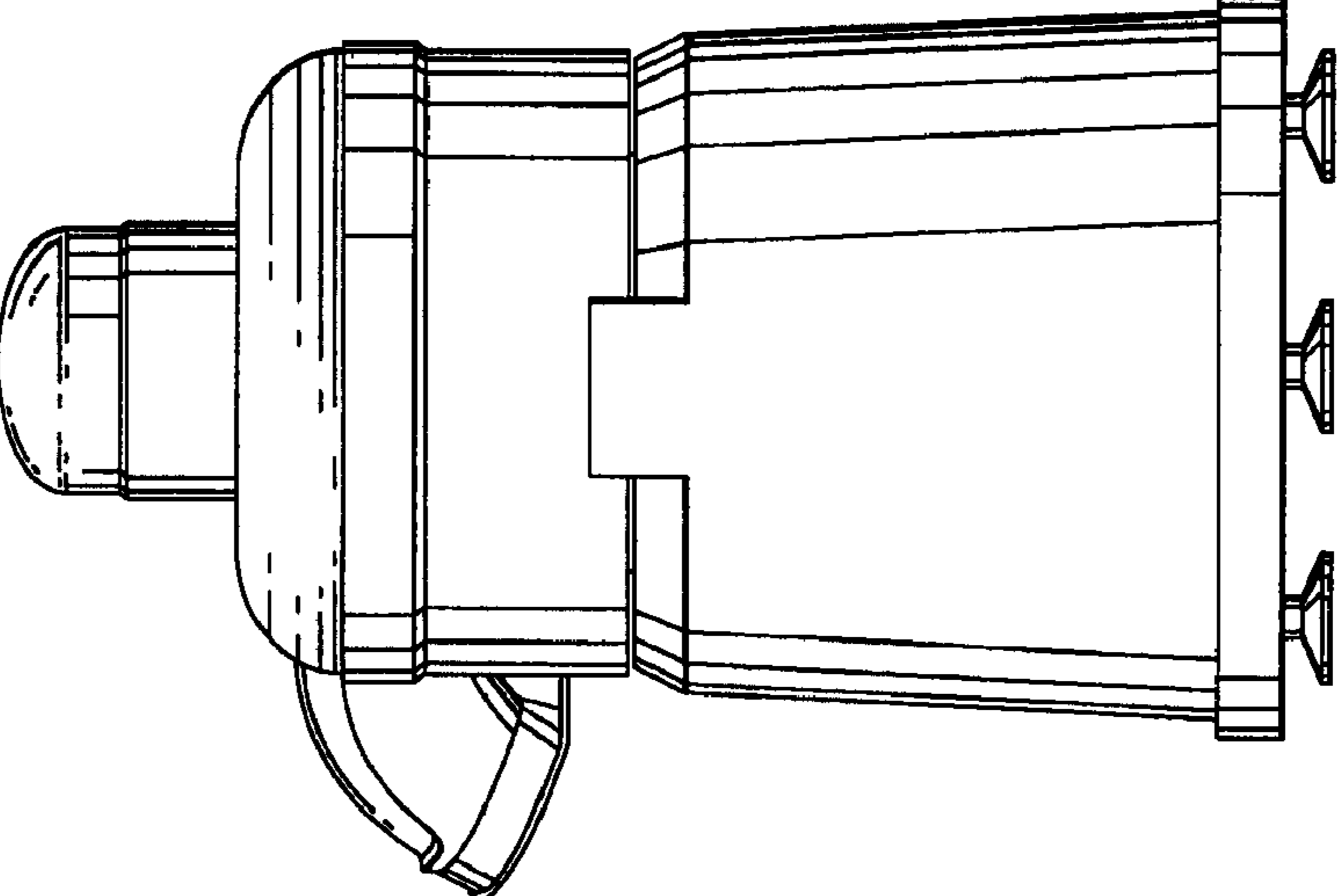


FIG. 5.

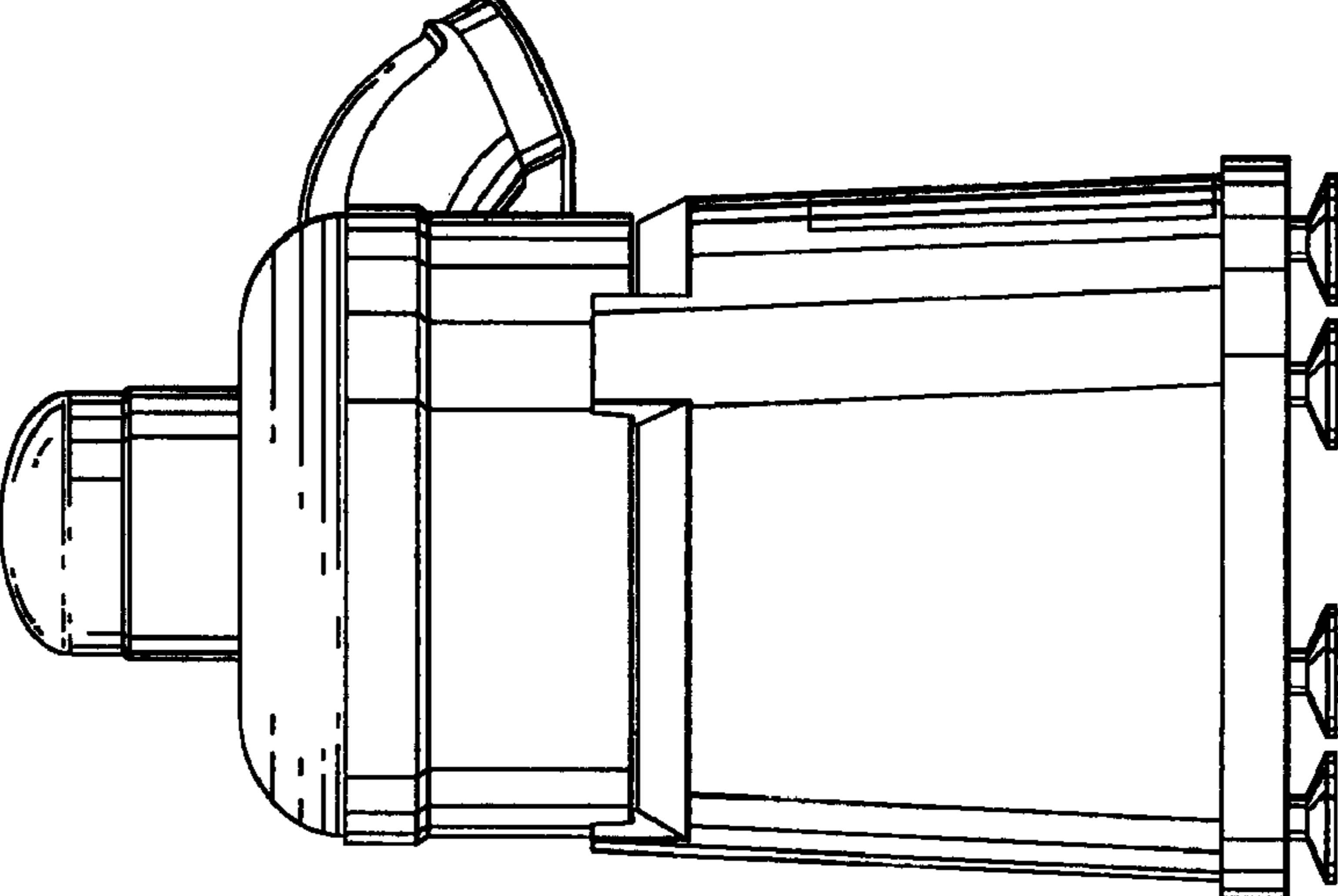


FIG. 6.