



US00D537300S

(12) **United States Design Patent**  
**Kim**

(10) **Patent No.:** **US D537,300 S**

(45) **Date of Patent:** **\*\* Feb. 27, 2007**

(54) **CONTAINER FOR STORING FOODS**

(75) Inventor: **Chang-Ho Kim**, Incheon (KR)

(73) Assignee: **Hana Cobi Co., Ltd.**, Seoul (KR)

(\*\*) Term: **14 Years**

(21) Appl. No.: **29/258,947**

(22) Filed: **May 1, 2006**

(30) **Foreign Application Priority Data**

Dec. 9, 2005 (KR) ..... 30-2005-0041537

(51) **LOC (8) Cl.** ..... **07-07**

(52) **U.S. Cl.** ..... **D7/629; D7/542**

(58) **Field of Classification Search** ..... D7/602,  
D7/629, 538-542; D9/424-432; 220/4.21,  
220/360, 366, 574, 780-806, 912, 913  
See application file for complete search history.

(56) **References Cited**

**U.S. PATENT DOCUMENTS**

2,816,589 A \* 12/1957 Tupper ..... 220/780  
4,471,880 A \* 9/1984 Taylor et al. .... 220/792

D336,596 S \* 6/1993 Osgood et al. .... D7/542  
D344,210 S \* 2/1994 Cousins et al. .... D7/538  
D398,485 S \* 9/1998 Landauer et al. .... D7/629  
5,894,953 A \* 4/1999 Ramirez ..... 220/785  
D446,084 S \* 8/2001 Schulein ..... D7/629

\* cited by examiner

*Primary Examiner*—Terry A. Wallace

(74) *Attorney, Agent, or Firm*—Birch, Stewart, Kolasch & Birch, LLP

(57) **CLAIM**

The ornamental design for container for storing foods, as shown.

**DESCRIPTION**

FIG. 1 is a Perspective view of the container for storing foods showing my new design;  
FIG. 2 is a front view thereof;  
FIG. 3 is a rear view thereof;  
FIG. 4 is a left side view thereof;  
FIG. 5 is a right side view thereof;  
FIG. 6 is a top side view thereof; and,  
FIG. 7 is a bottom side view thereof.

**1 Claim, 4 Drawing Sheets**

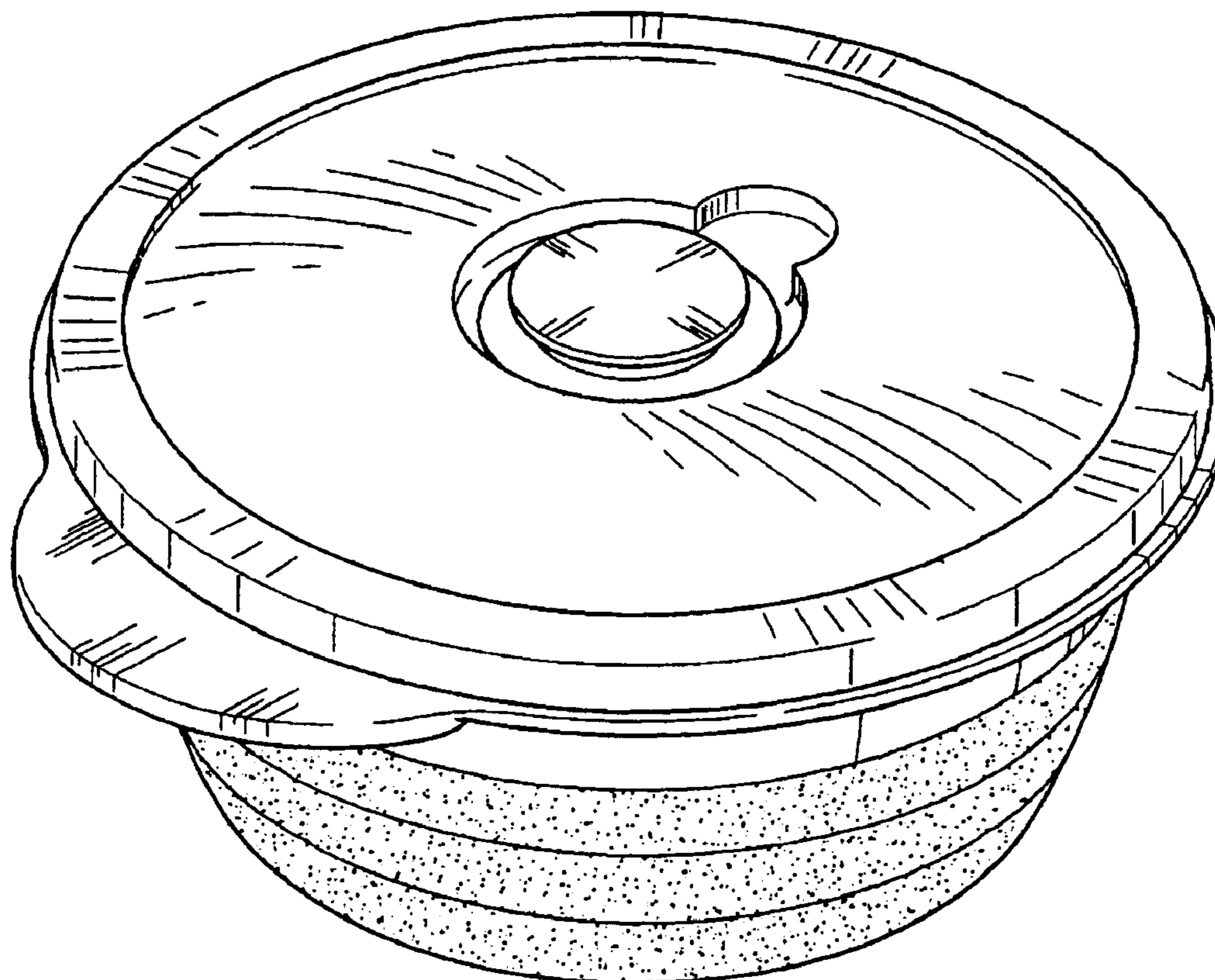


Fig. 1

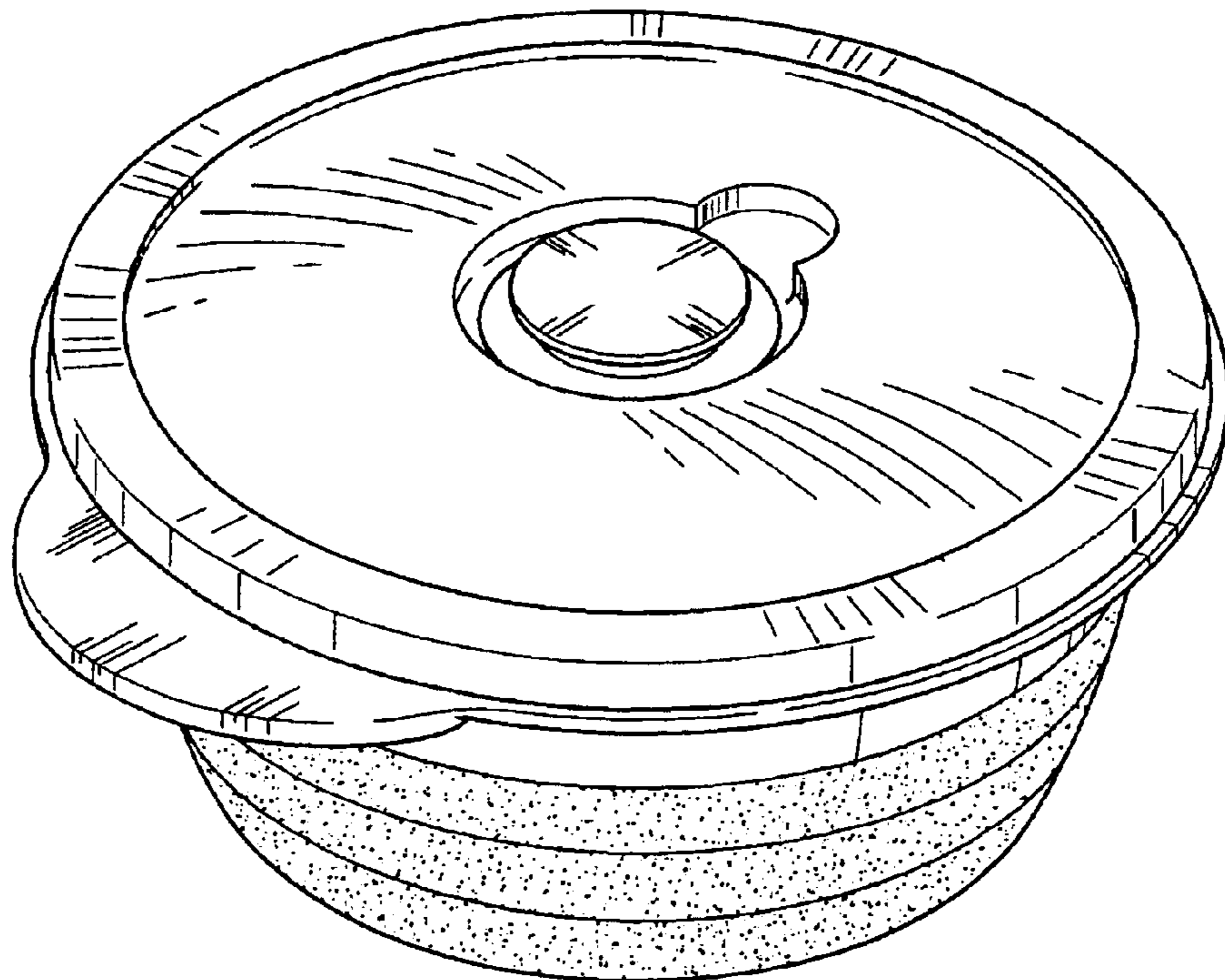


Fig.2

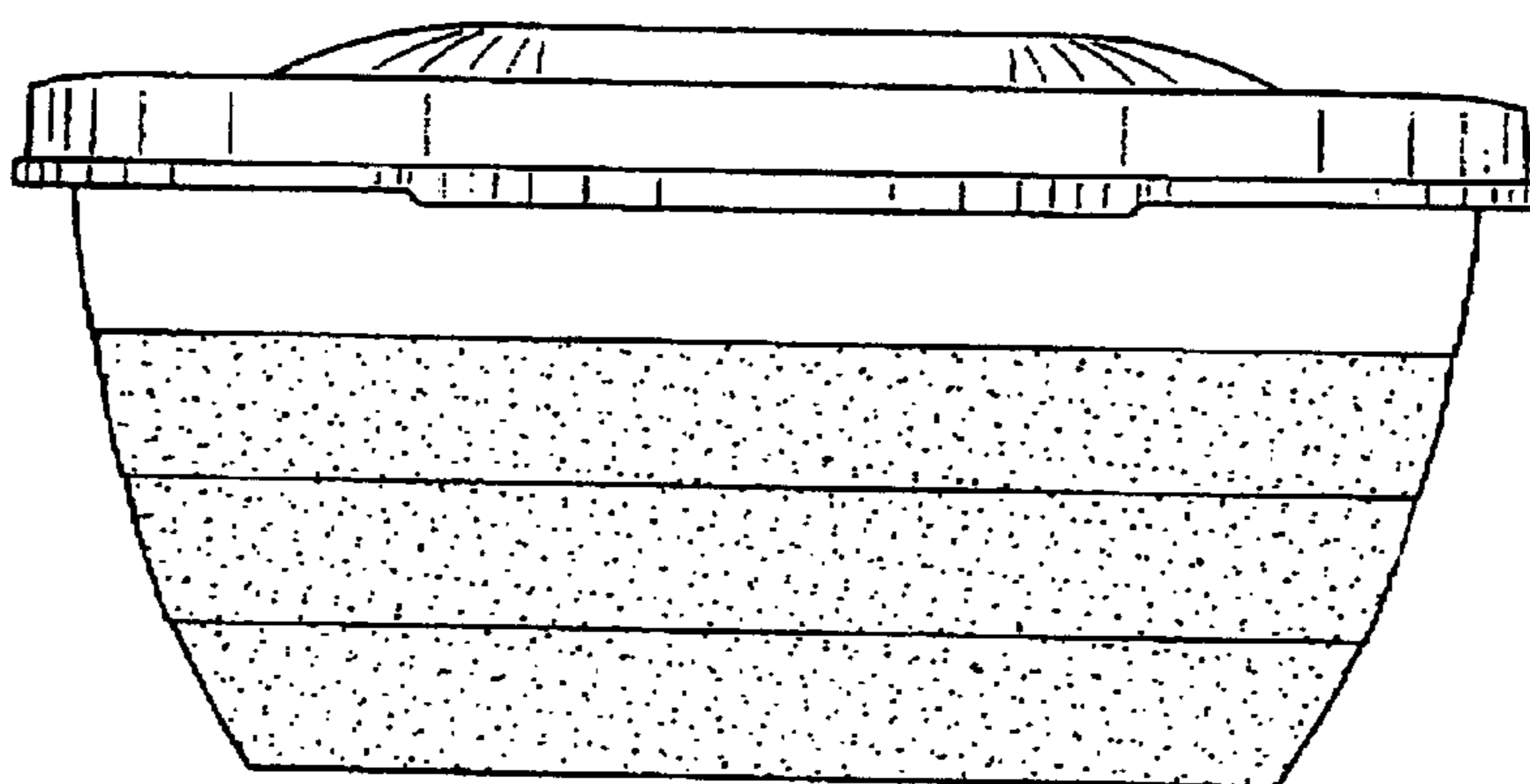


Fig.3

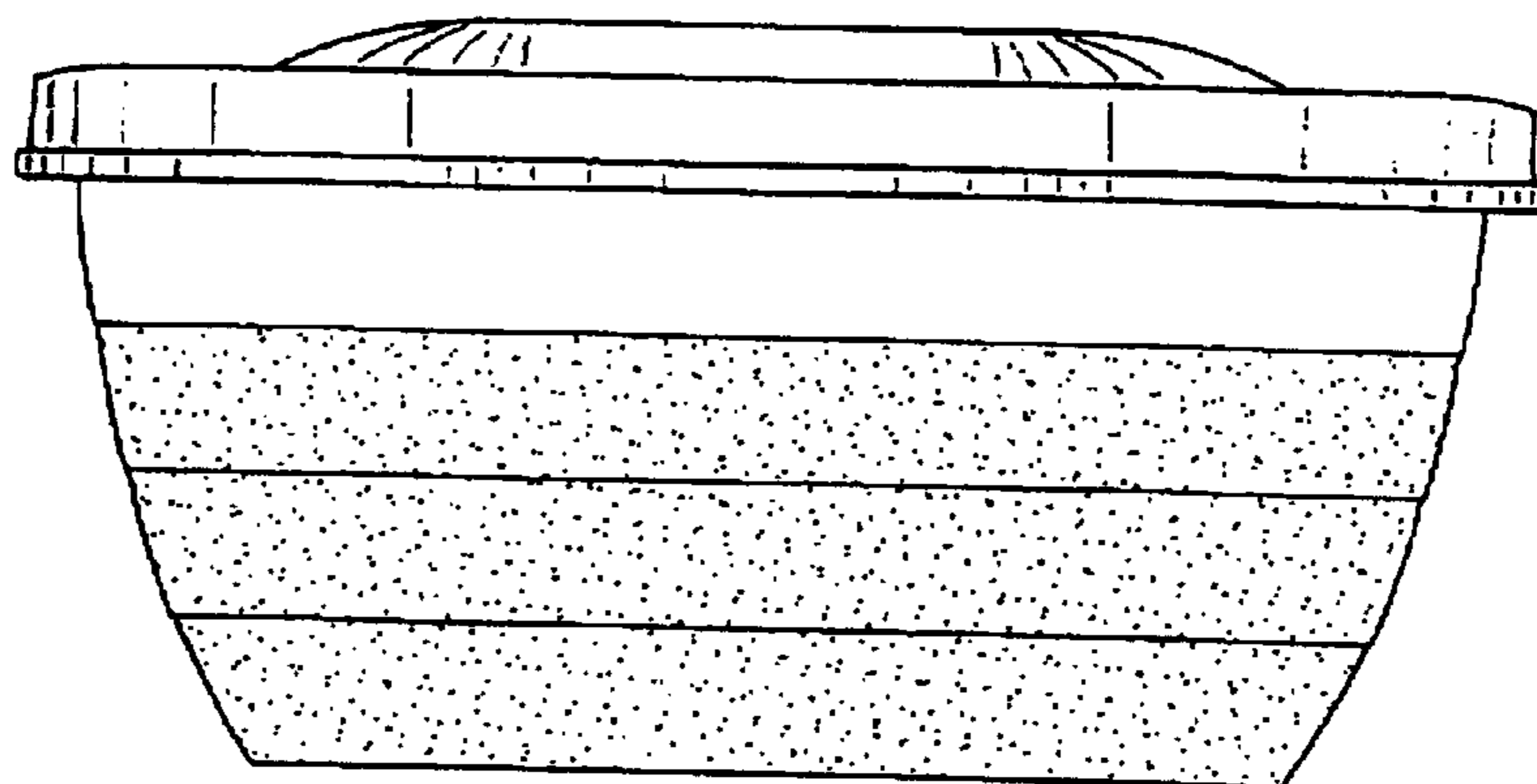


Fig.4

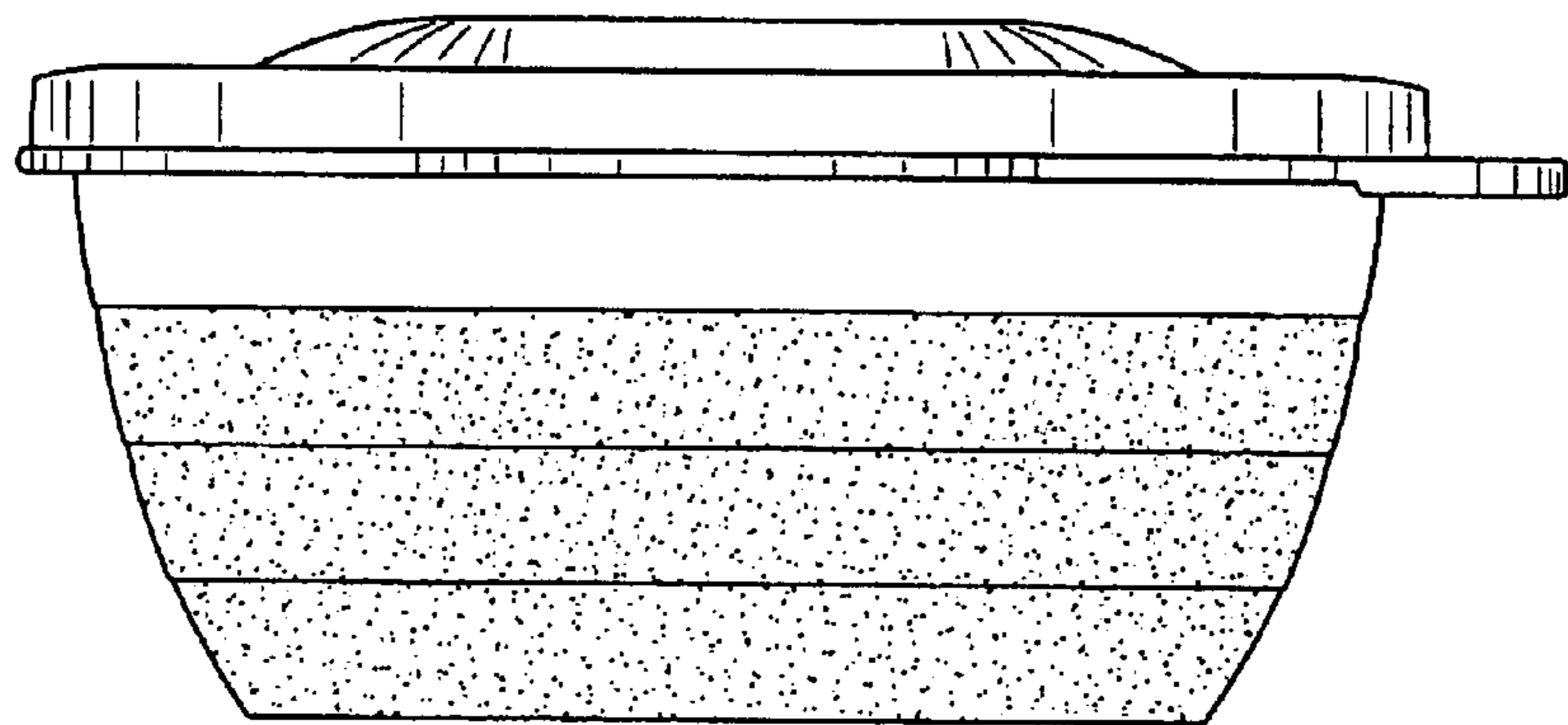


Fig.5

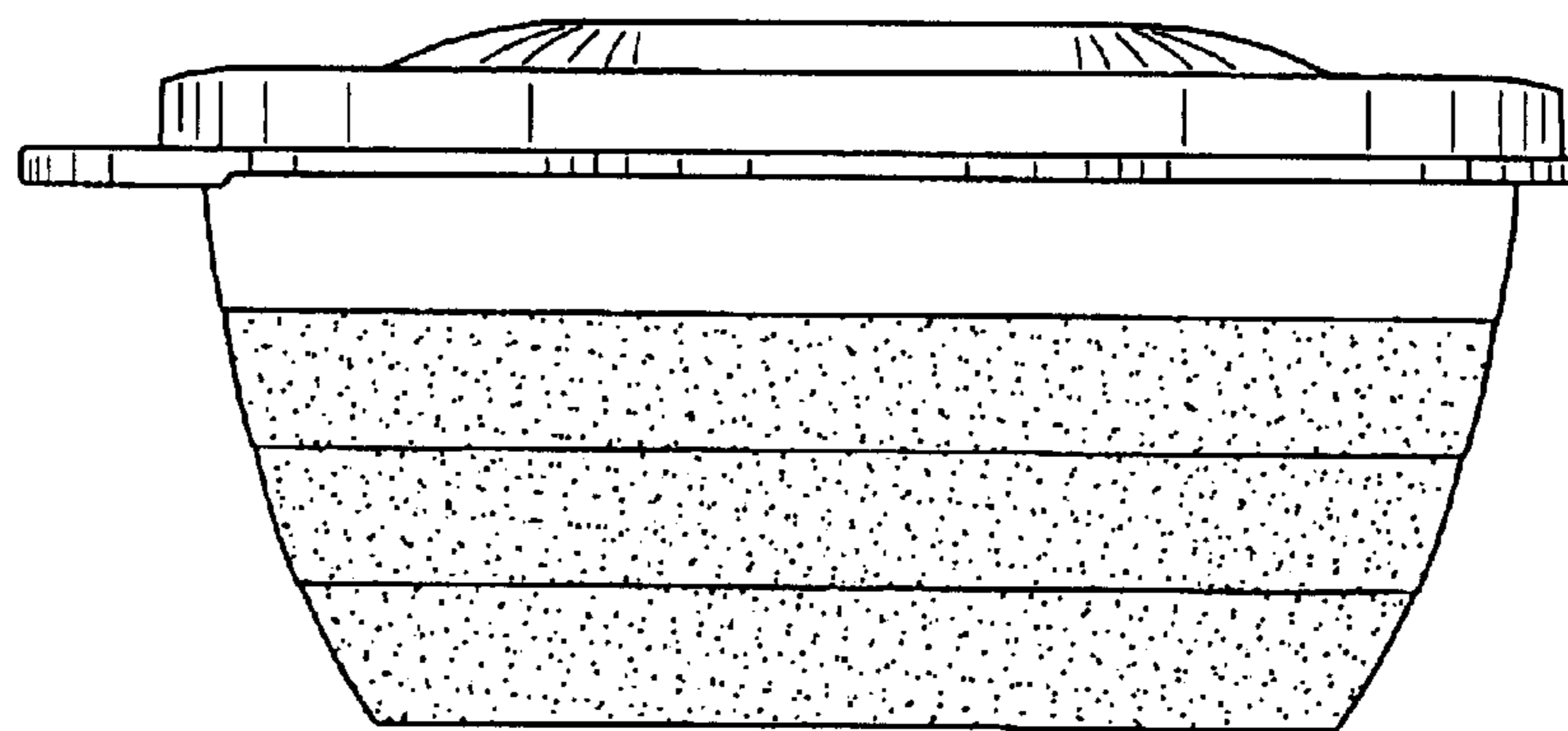


Fig.6

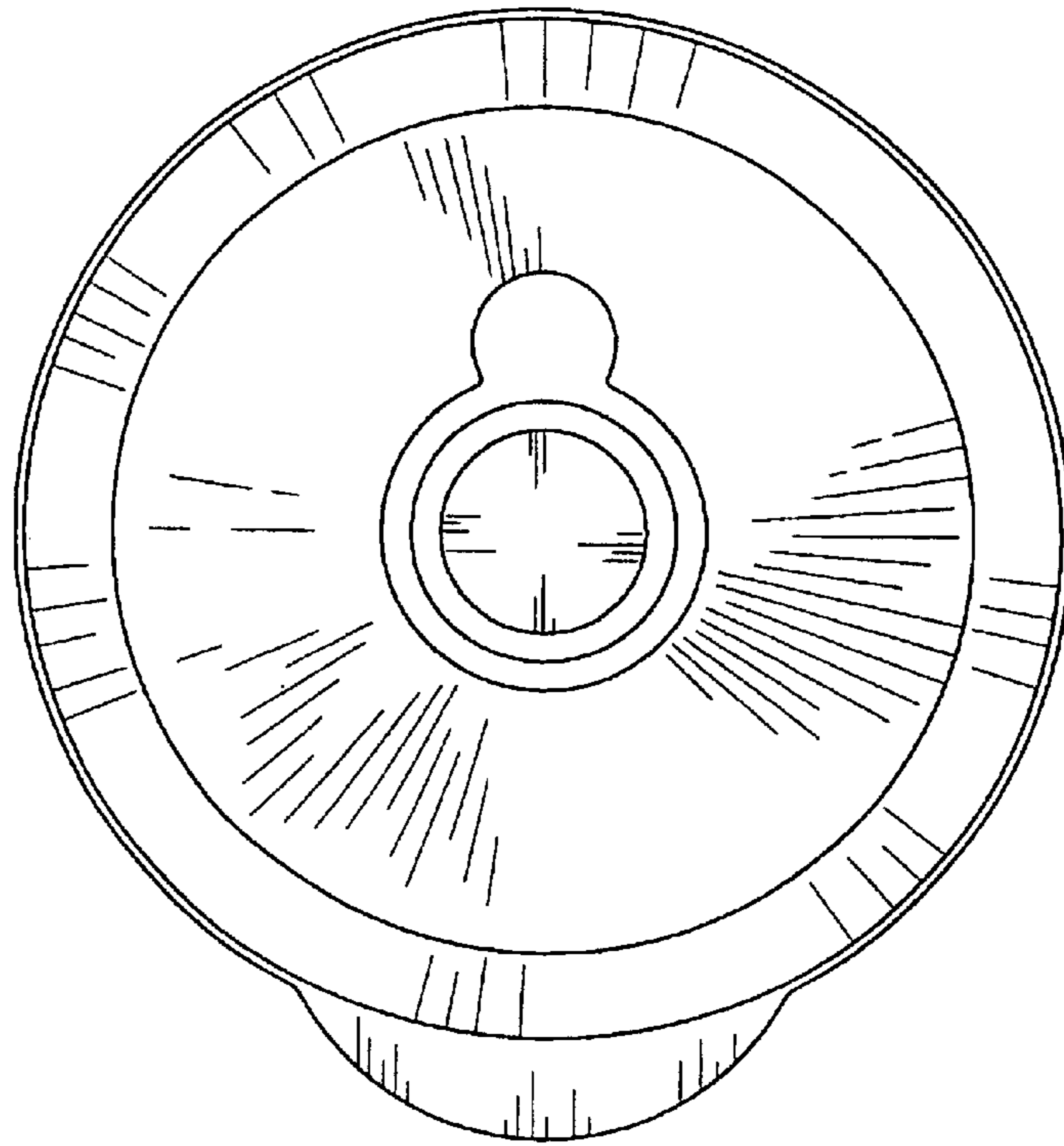


Fig.7

