



US00D537298S

(12) **United States Design Patent**  
**Crockett et al.**

(10) **Patent No.:** **US D537,298 S**

(45) **Date of Patent:** **\*\* Feb. 27, 2007**

(54) **HOLDER**

(75) Inventors: **John W. Crockett**, Bloomfield, MI  
(US); **Ronald Harris**, Southfield, MI  
(US)

(73) Assignee: **Ronrich Corporation**, Southfield, MI  
(US)

(\*\*) **Term:** **14 Years**

(21) **Appl. No.:** **29/240,709**

(22) **Filed:** **Oct. 17, 2005**

(51) **LOC (8) Cl.** ..... **07-06**

(52) **U.S. Cl.** ..... **D7/620**

(58) **Field of Classification Search** ..... D7/619.1-625,  
D7/701-708; D12/416, 419; 220/737-740;  
211/71.01, 74; 248/309.1, 310, 311.2, 314,  
248/205.2, 103; 224/926, 549, 553  
See application file for complete search history.

D377,439 S	*	1/1997	Ayotte et al.	.....	D7/620
5,651,523 A		7/1997	Bridges		
D389,020 S		1/1998	LaJoie		
5,745,565 A		4/1998	Wakefield		
5,873,486 A		2/1999	Morgan		
D425,854 S	*	5/2000	Matlack	.....	D12/416
6,062,518 A		5/2000	Etue		
6,099,062 A		8/2000	Siegel		
6,113,049 A		9/2000	Miljanich		
6,196,434 B1		3/2001	Angran et al.		
6,267,340 B1		7/2001	Wang		
6,315,153 B1		11/2001	Osborn		
D459,956 S		7/2002	Thomas		
6,425,480 B1		7/2002	Krueger et al.		
2002/0039417 A1		4/2002	Walsh		
2002/0153399 A1		10/2002	Hubbert et al.		
2002/0185578 A1		12/2002	Hudson		

\* cited by examiner

*Primary Examiner*—Terry A. Wallace

(74) *Attorney, Agent, or Firm*—Law Offices of John Chupa and Associates, P.C.

(56) **References Cited**

**U.S. PATENT DOCUMENTS**

1,605,195 A	11/1926	Lewis	
2,698,155 A	* 12/1954	Bowman	..... 248/311.2
3,790,118 A	2/1974	Warren et al.	
4,535,923 A	8/1985	Manke	
4,596,370 A	6/1986	Adkins	
4,606,523 A	8/1986	Statz et al.	
4,634,089 A	1/1987	Wright et al.	
4,779,831 A	10/1988	Anderson	
4,858,869 A	8/1989	Stang	
5,249,770 A	10/1993	Louthan	
5,320,263 A	6/1994	Kobylack	
5,400,990 A	3/1995	Frankel	
5,579,968 A	12/1996	Staschiak	

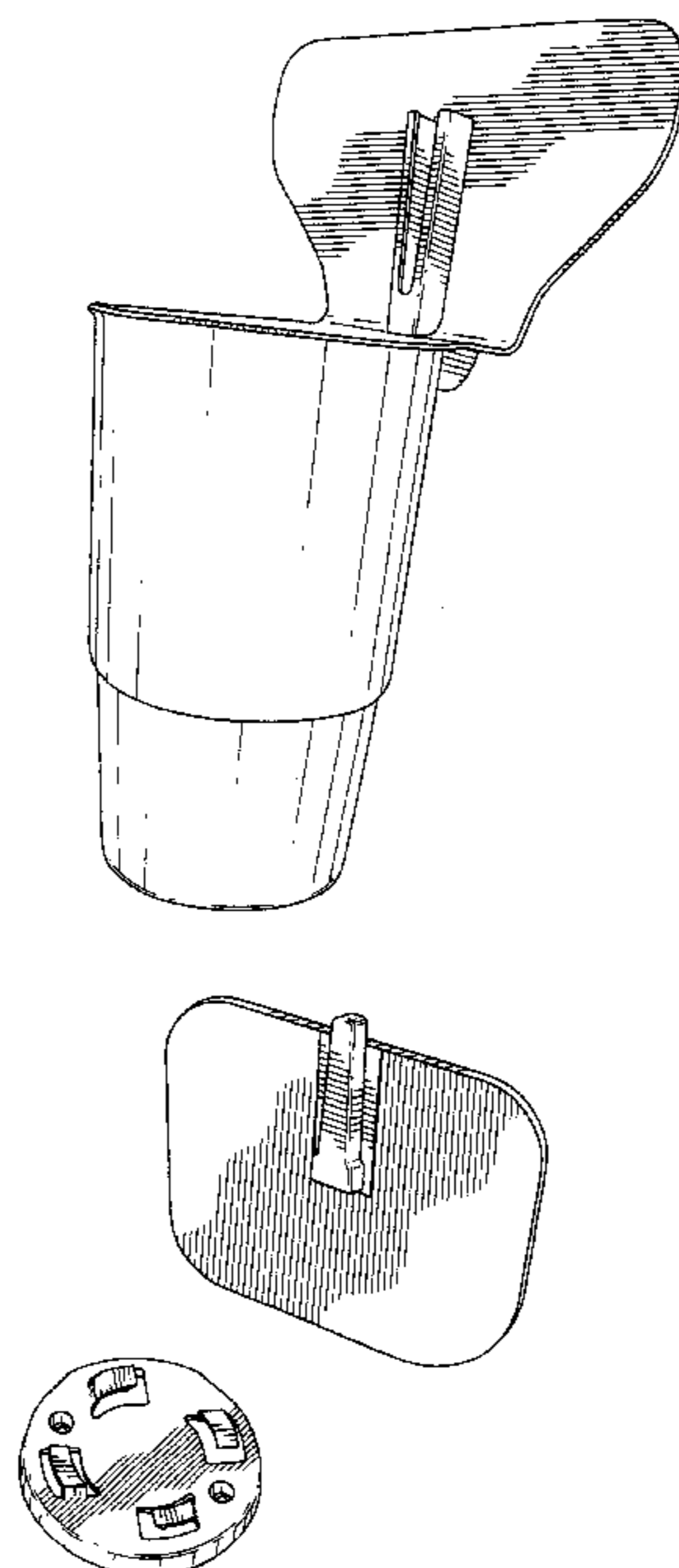
(57) **CLAIM**

The ornamental design for a holder, as shown.

**DESCRIPTION**

FIG. 1 is an exploded perspective view of a holder showing our new design;  
FIG. 2 is an exploded front view thereof;  
FIG. 3 is an exploded rear view thereof;  
FIG. 4 is an exploded left side view thereof;  
FIG. 5 is an exploded right side view thereof;  
FIG. 6 is an exploded top plan view thereof; and,  
FIG. 7 is an exploded bottom plan view thereof.

**1 Claim, 6 Drawing Sheets**



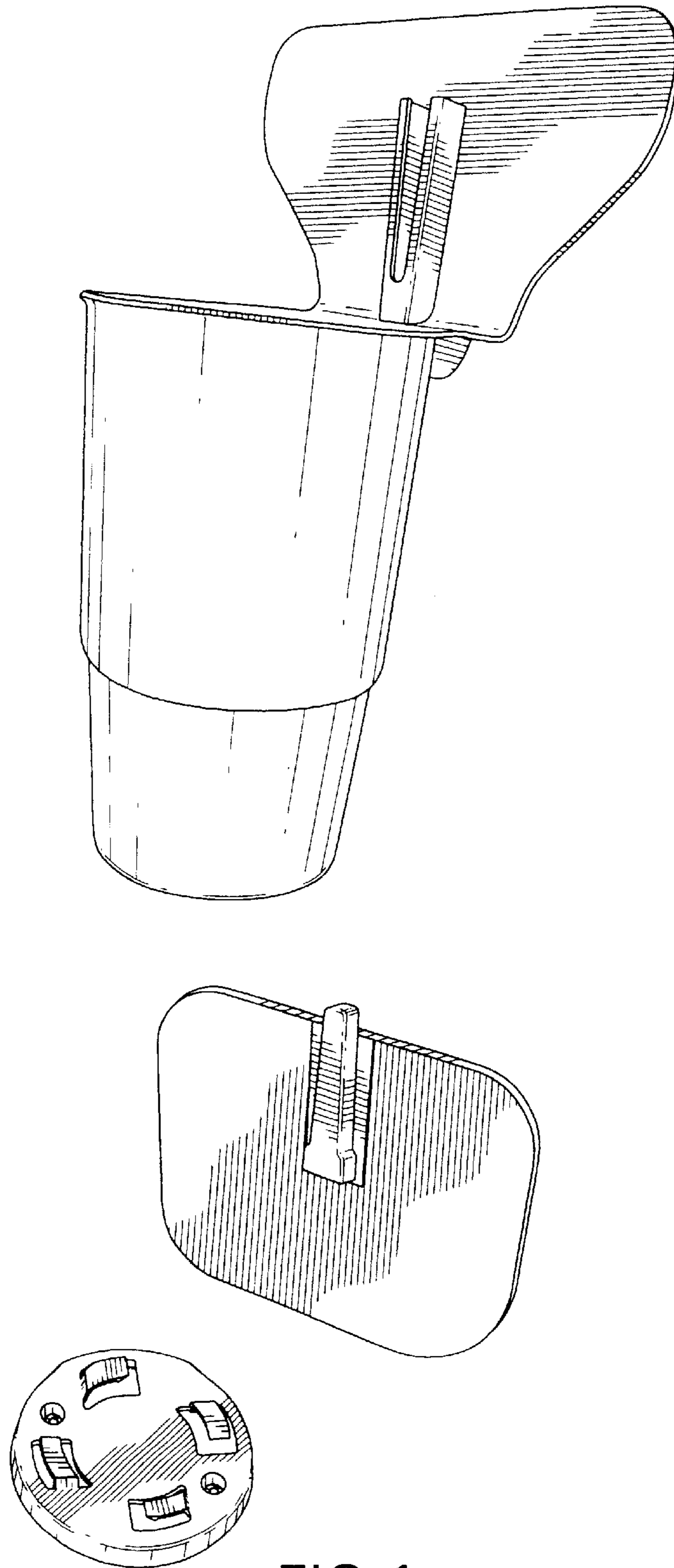


FIG. 1

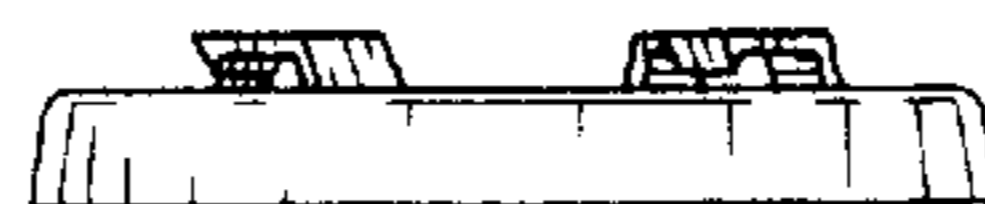
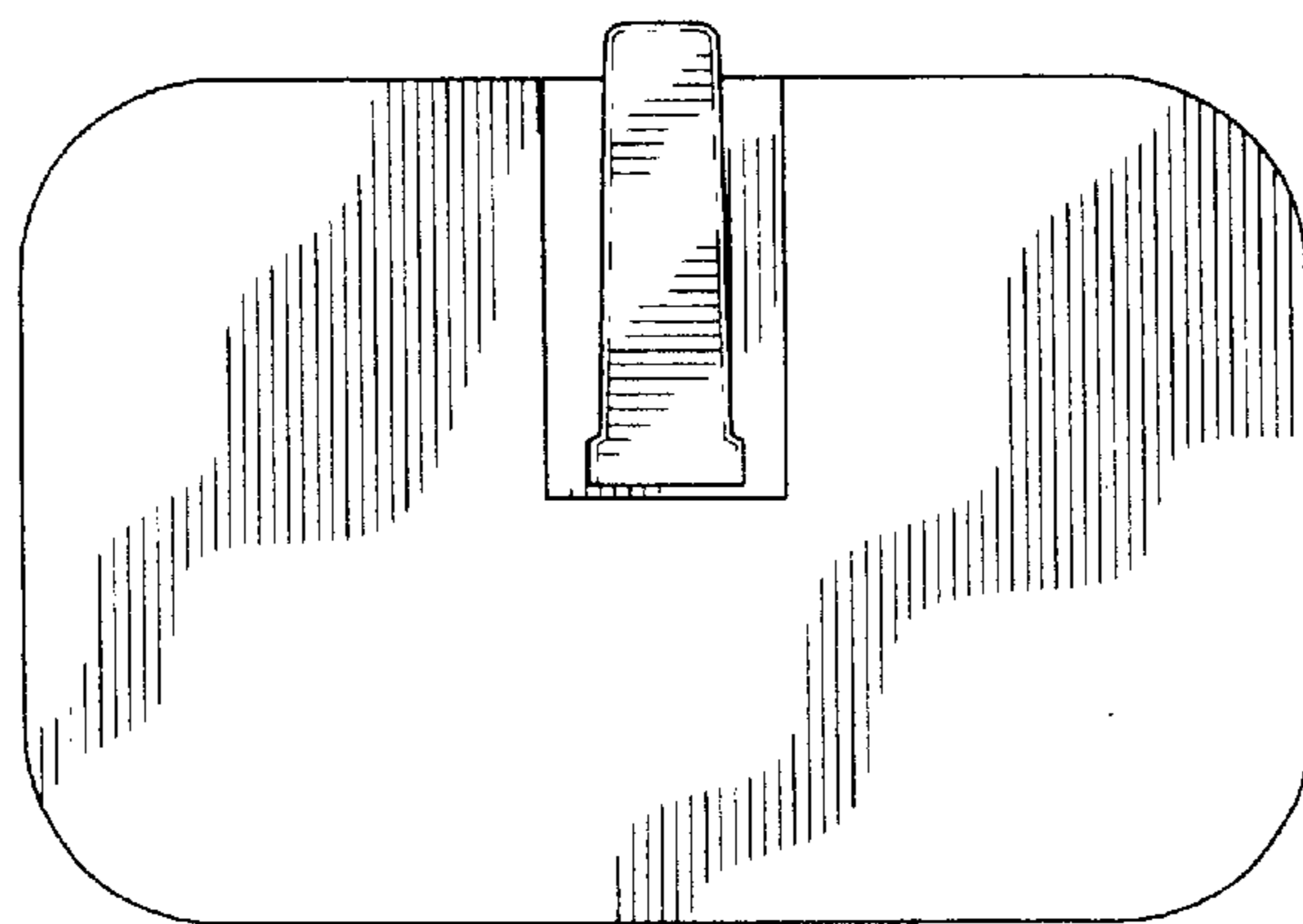
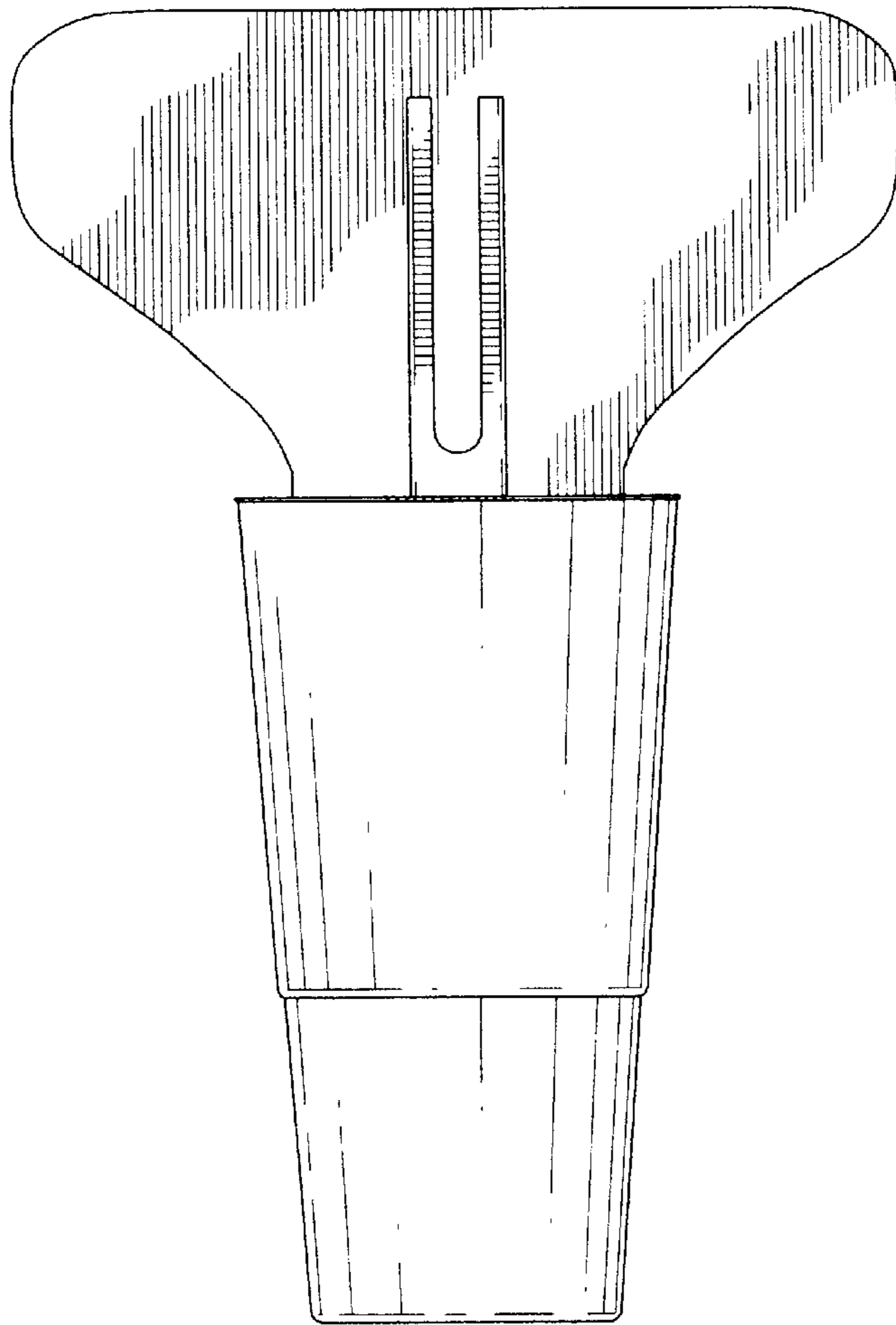


FIG.2

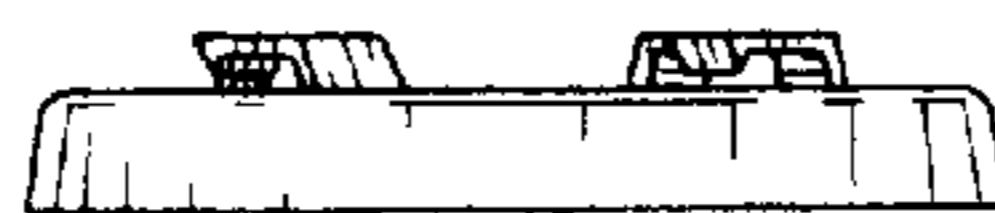
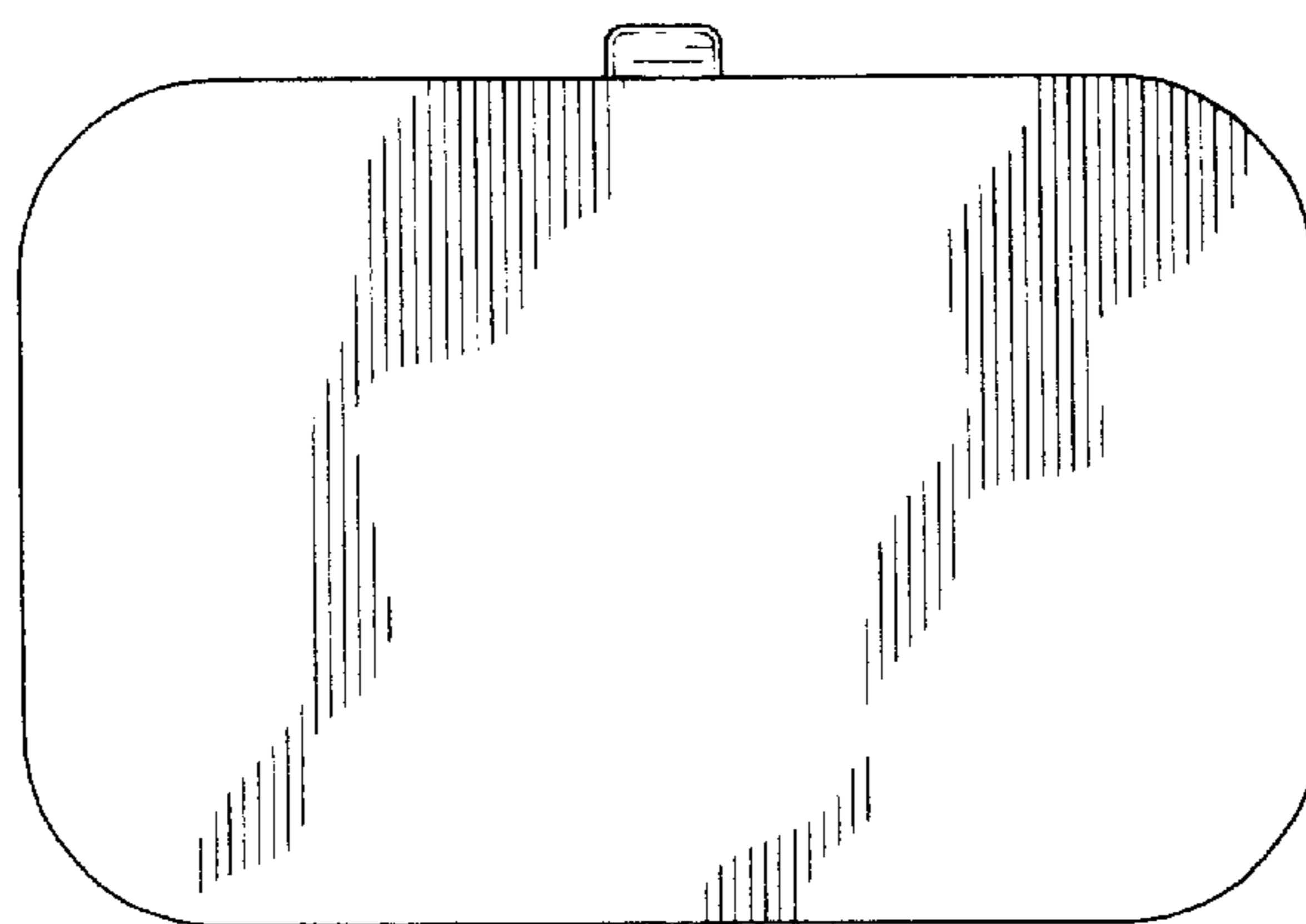
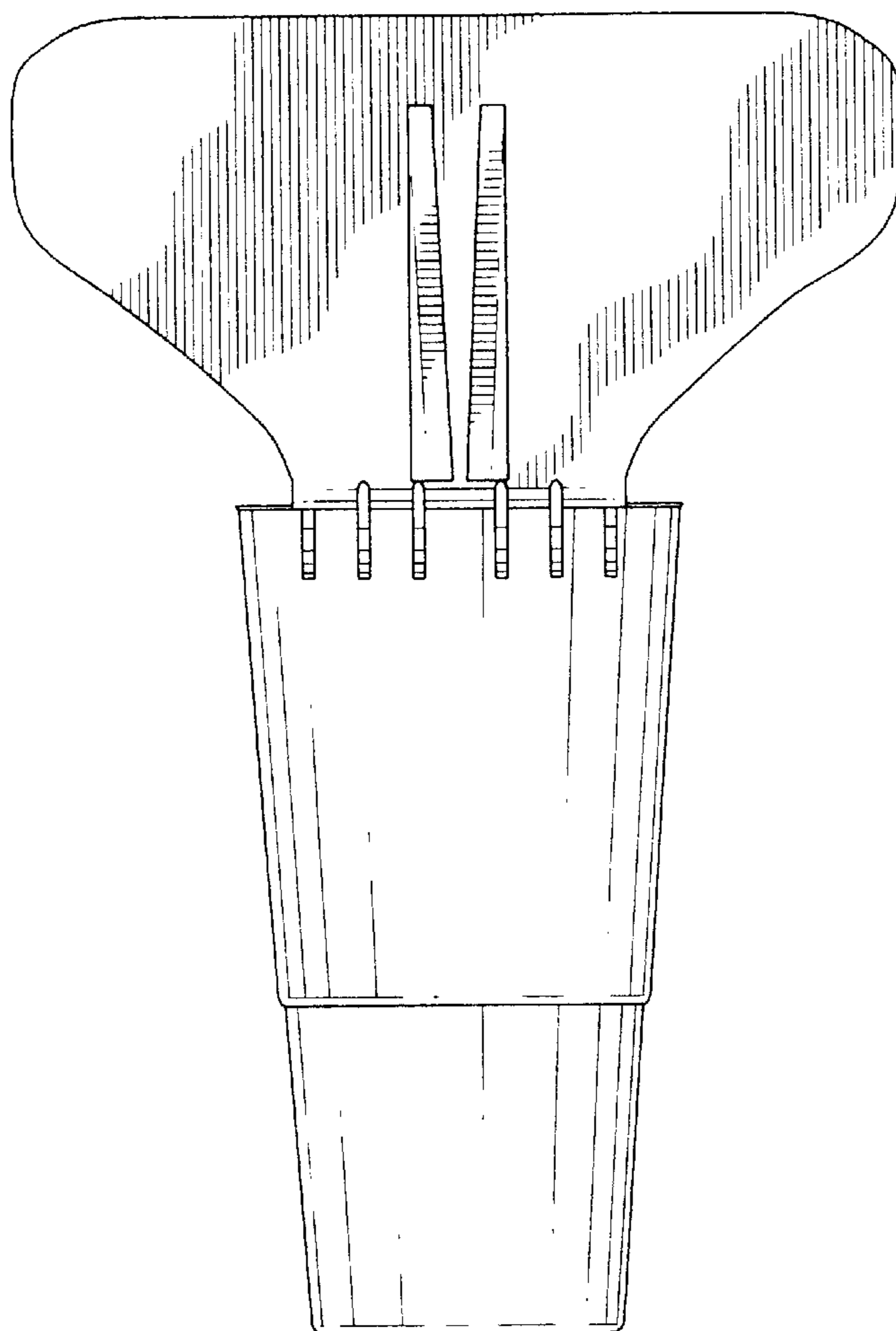


FIG. 3

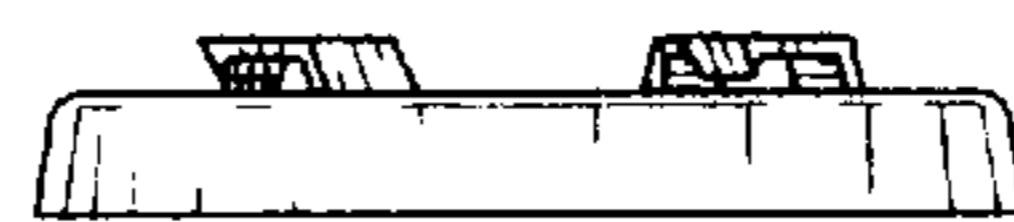
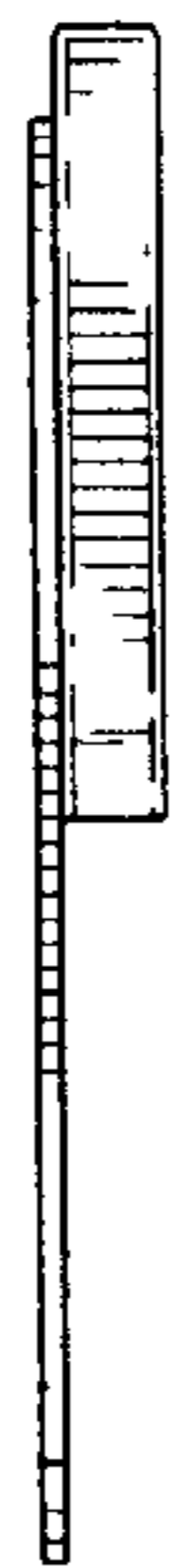
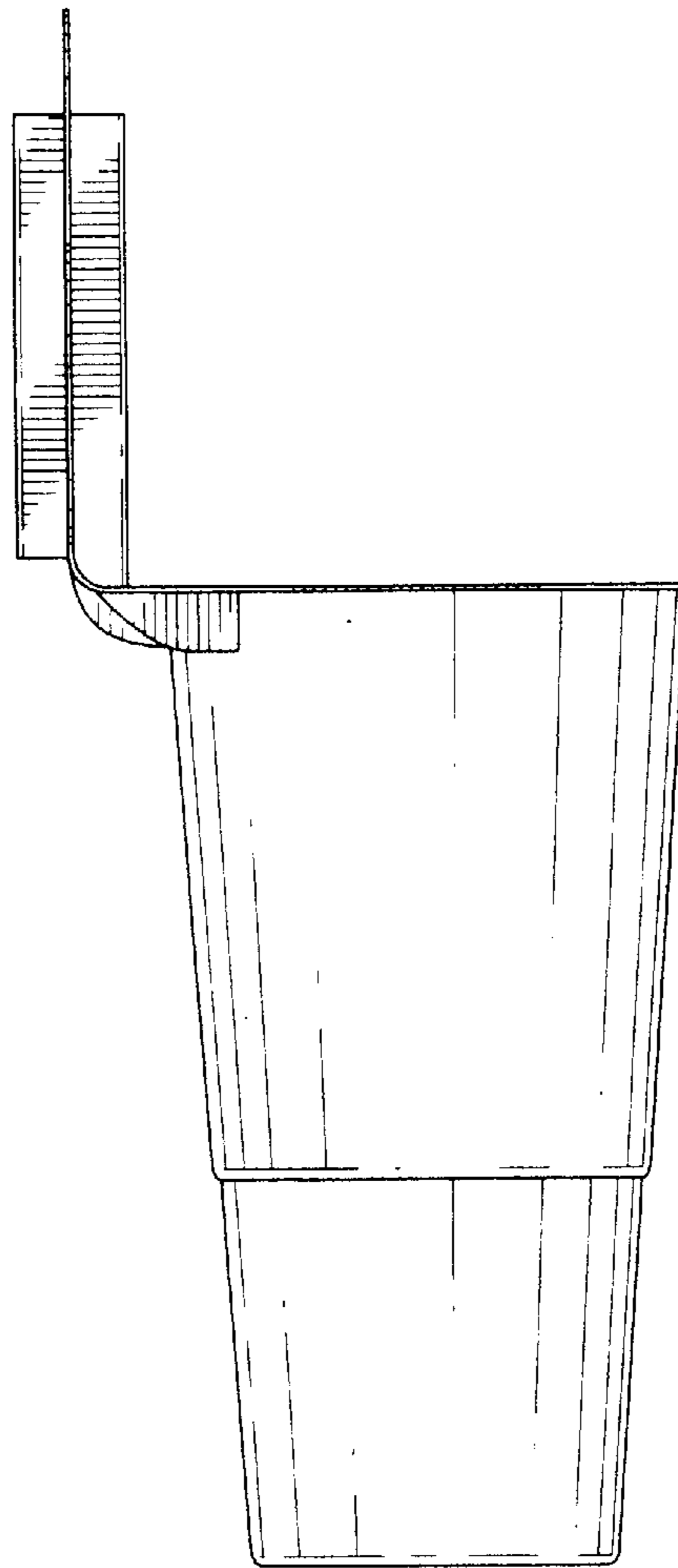


FIG.4

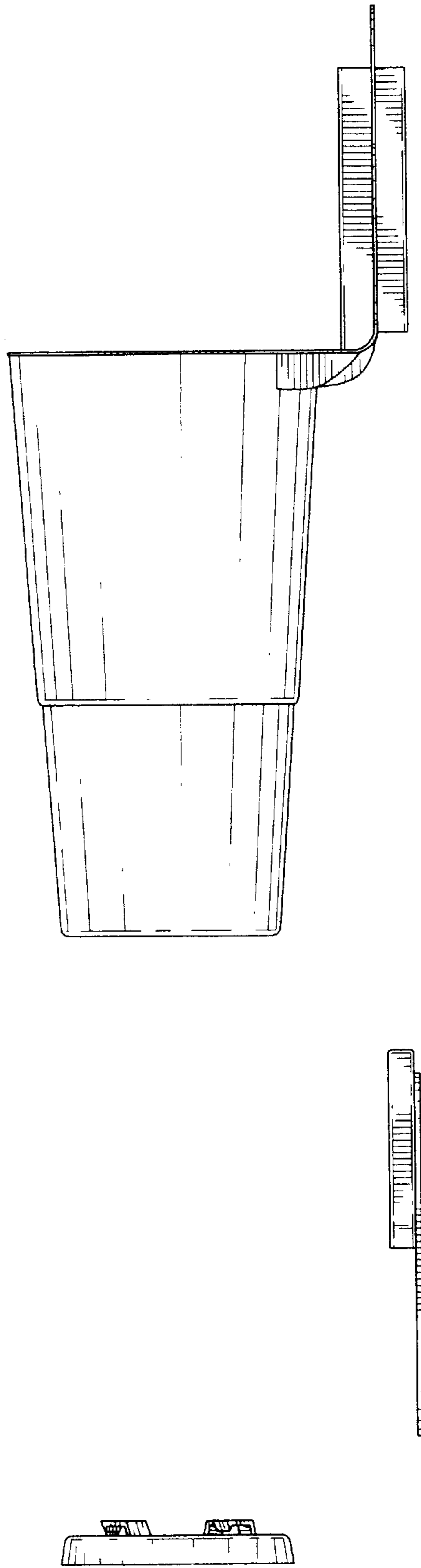


FIG.5

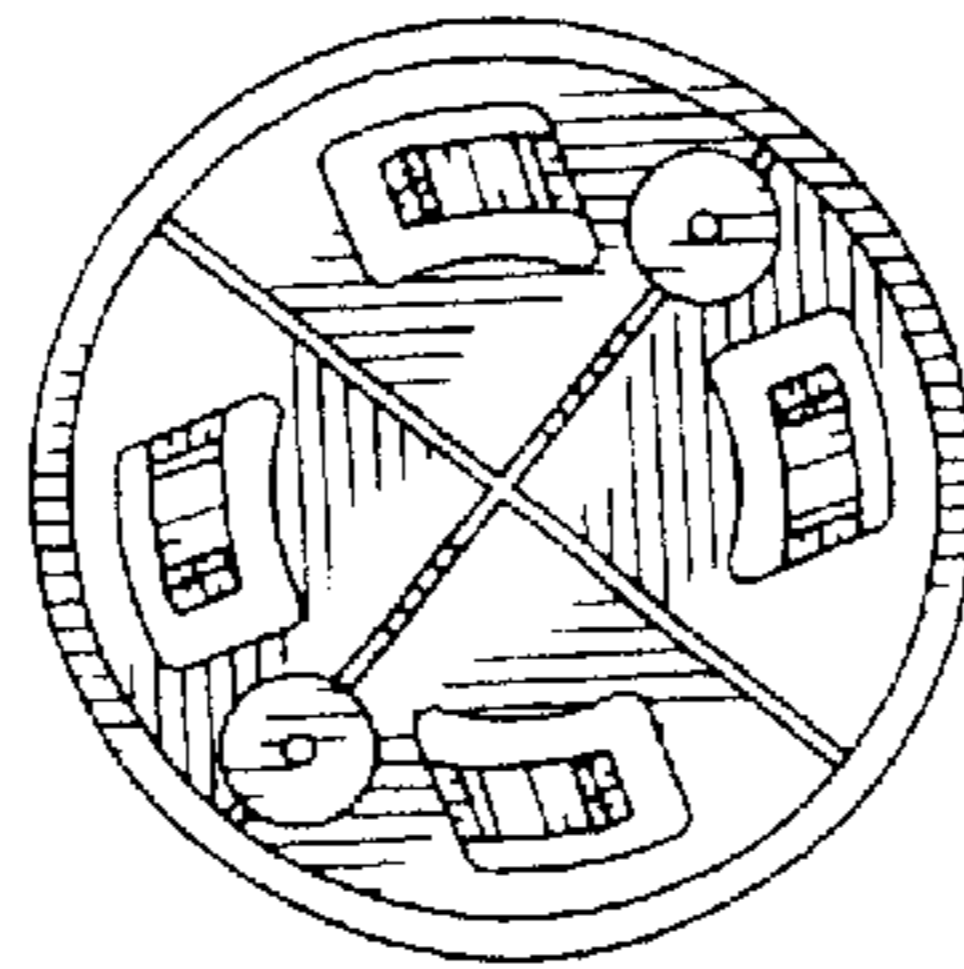
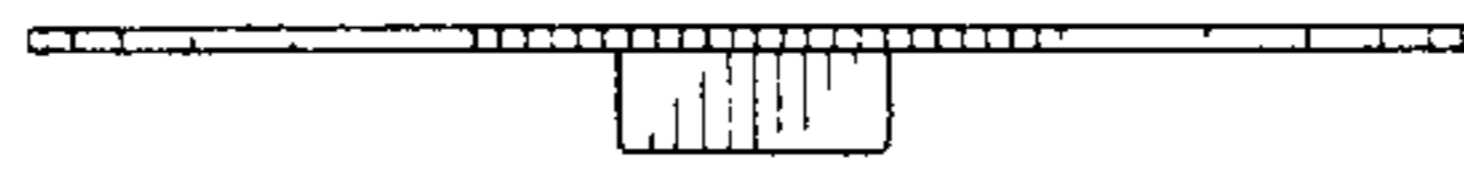
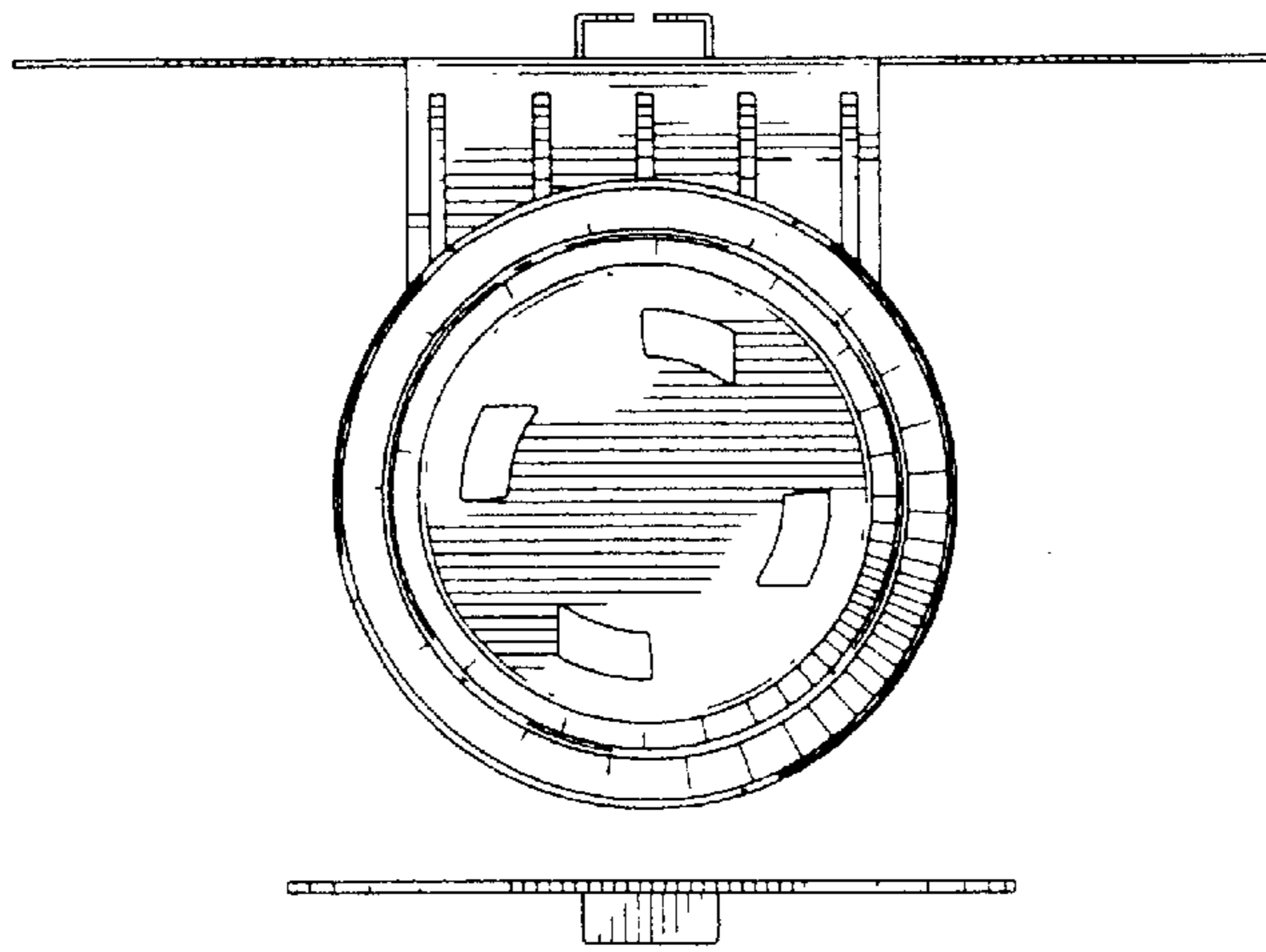


FIG. 6

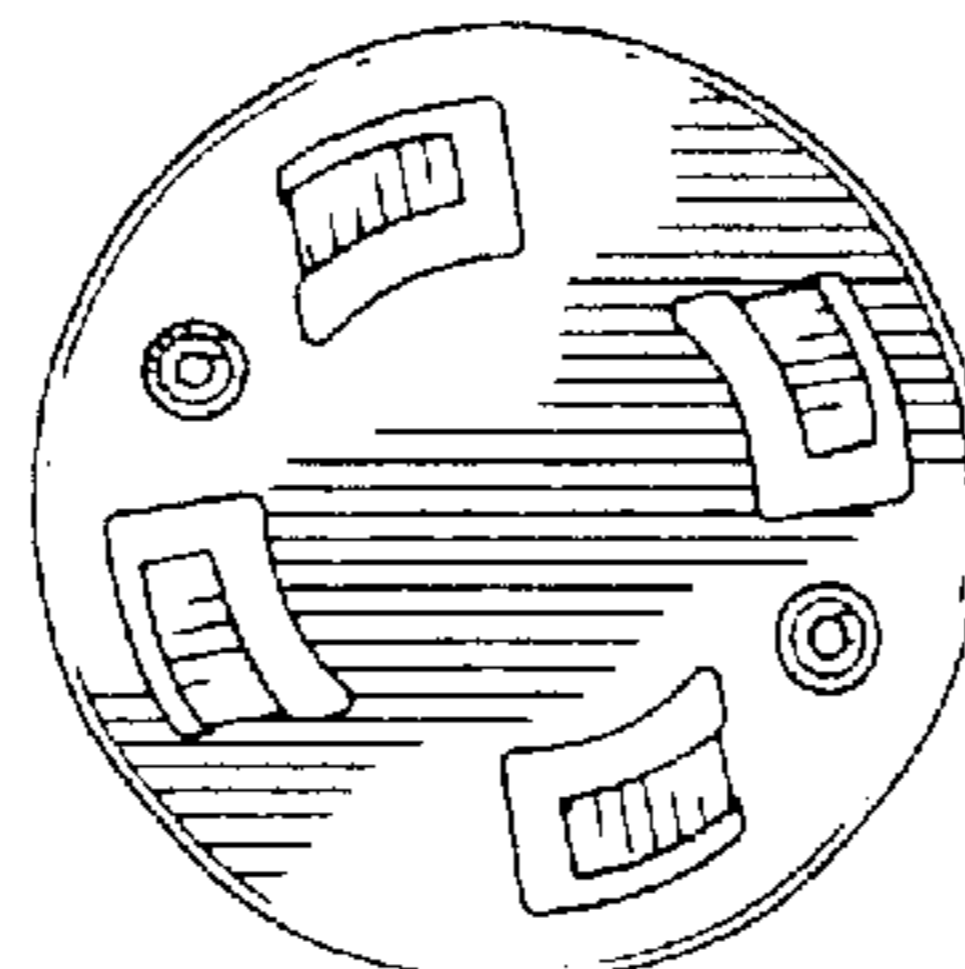
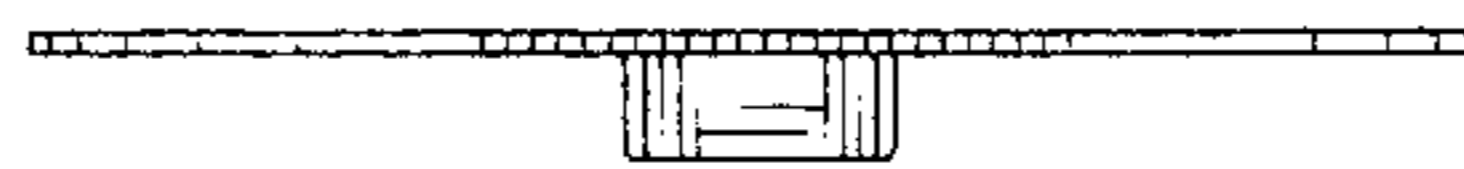
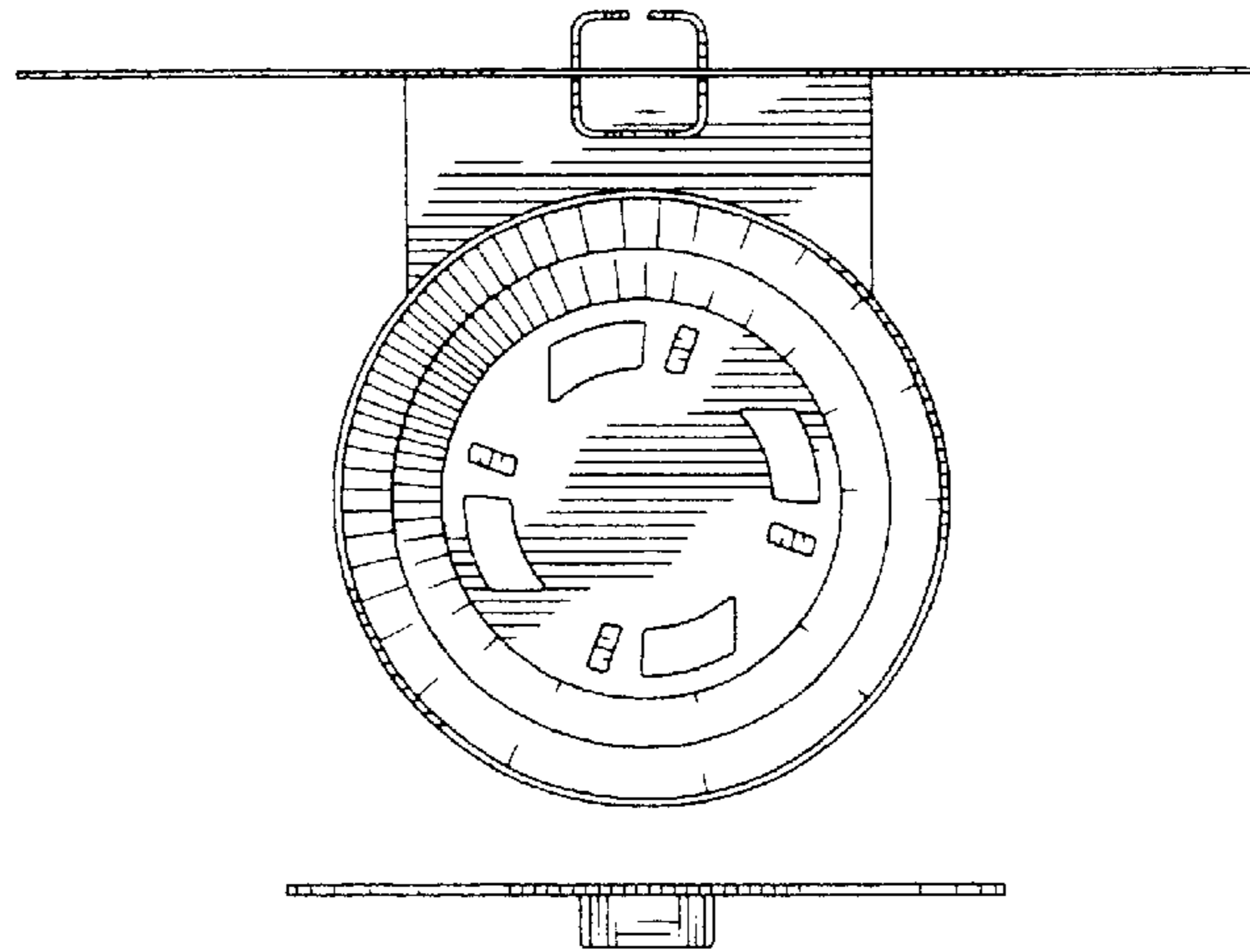


FIG. 7