

US00D537295S

(12) **United States Design Patent** (10) **Patent No.:** **US D537,295 S**
Debord et al. (45) **Date of Patent:** **** Feb. 27, 2007**

(54) **SIDE SHELF FOR A GRILL**

(75) Inventors: **Jeffrey T. Debord**, Worthington, OH (US); **Rainer B. Teufel**, Worthington, OH (US); **Peter A. Koloski**, Upper Arlington, OH (US); **Richard E. Salek**, West Chester, OH (US)

(73) Assignee: **Cinmar, L.P.**, West Chester, OH (US)

(**) Term: **14 Years**

(21) Appl. No.: **29/228,310**

(22) Filed: **Apr. 21, 2005**

(51) **LOC (8) Cl.** **07-02**

(52) **U.S. Cl.** **D7/406**

(58) **Field of Classification Search** D7/332-338, D7/339-340, 347-348, 402-405, 406; 99/339-340, 99/420, 421 A, 421 H, 421 M, 422, 423, 99/427, 443 C, 441, 443 R, 445, 447-448, 99/482, 450; 126/4, 9 R, 25 R, 25 A, 25 AA, 126/30, 37 R, 37 B, 39 B, 39 E, 40, 41 R, 126/50, 276, 300, 332, 334; D23/286; D6/511, D6/574; 248/235, 129; 211/90.01, 134-135, 211/153

See application file for complete search history.

(56) **References Cited**

U.S. PATENT DOCUMENTS

D316,355 S	4/1991	Stephen et al.	
D327,390 S	6/1992	Schlosser et al.	
D364,777 S	12/1995	Schlosser et al.	
D377,734 S	* 2/1997	Bird et al. D7/402
D395,378 S	6/1998	Schlosser et al.	
D404,963 S	2/1999	Schlosser et al.	
5,941,229 A	* 8/1999	Schlosser et al. 126/41 R

(Continued)

OTHER PUBLICATIONS

FRONTGATE, The Ultimate Grill, Catalog, Copyright 1997, pp. 1-16 and 19-27, Cinmar, LP Lebanon, OH, USA.

FRONTGATE, The Ultimate Grill 2000, Catalog, Copyright 2000, pp. 1-16 and 19-43, Frontgate, West Chester, OH, USA.

FRONTGATE, The Ultimate Grill 2001, Catalog, Copyright 2001, pp. 1-43. Frontgate, West Chester, OH, USA.

THERMOS, Thermos Stainless Steel Premium Gas Grill, Advertising Flyer, exact date unknown but prior to Apr. 21, 2005, USA.

CHAR-BROIL, Professional Series by Char-Broil, Advertising Flyer, exact date unknown but prior to Apr. 21, 2005, Expo Design Center, USA.

Vintage Outdoor Kitchen Products, The Vintage Outdoor Grilling System, Circle Reader Service No. 076, pp. 1-2, Advertising Flyer, exact date unknown but prior to Apr. 21, 2005, USA.

Big Green Egg, Eggstraordinary! Big Green Egg The World's Best Smoker and Grill, Advertising Flyer, exact date unknown but prior to Apr. 21, 2005, Big Green Egg, Atlanta, GA, USA.

DACOR, Epicure 52" Outdoor Grill, Reader Service No. 081, Advertising Flyer, exact date unknown but prior to Apr. 21, 2005, Dacor, USA.

Primary Examiner—Ruth McInroy

(74) *Attorney, Agent, or Firm*—Taft, Stettinius & Hollister, LLP

(57) **CLAIM**

We claim the ornamental design for a side shelf for a grill, as shown and described.

DESCRIPTION

FIG. 1 is a perspective view of a side shelf for a grill, showing our new design in an exemplary environment of a gas grill;

FIG. 2 is a perspective view shown without an exemplary environment;

FIG. 3 is a left side elevational view thereof;

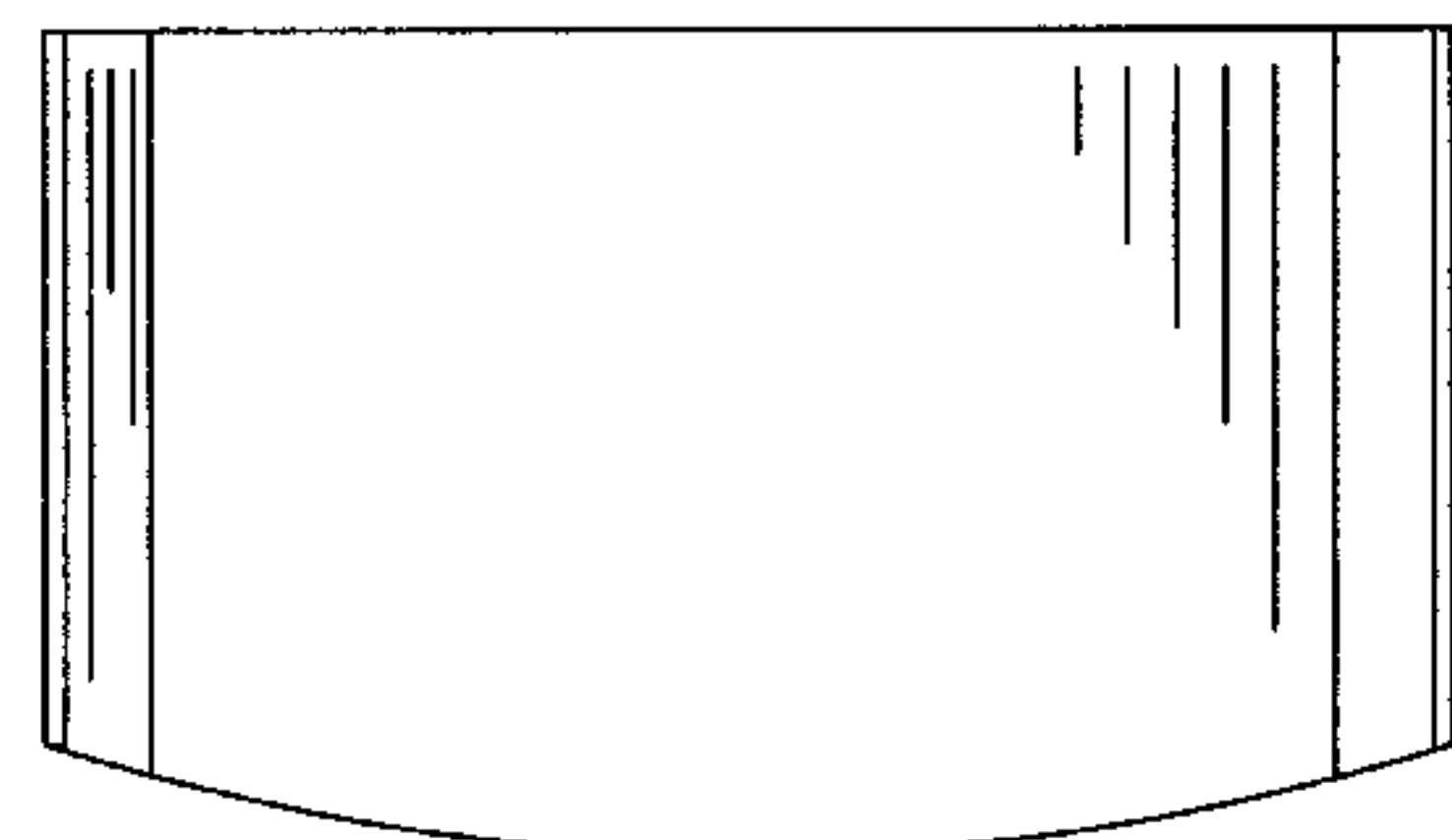
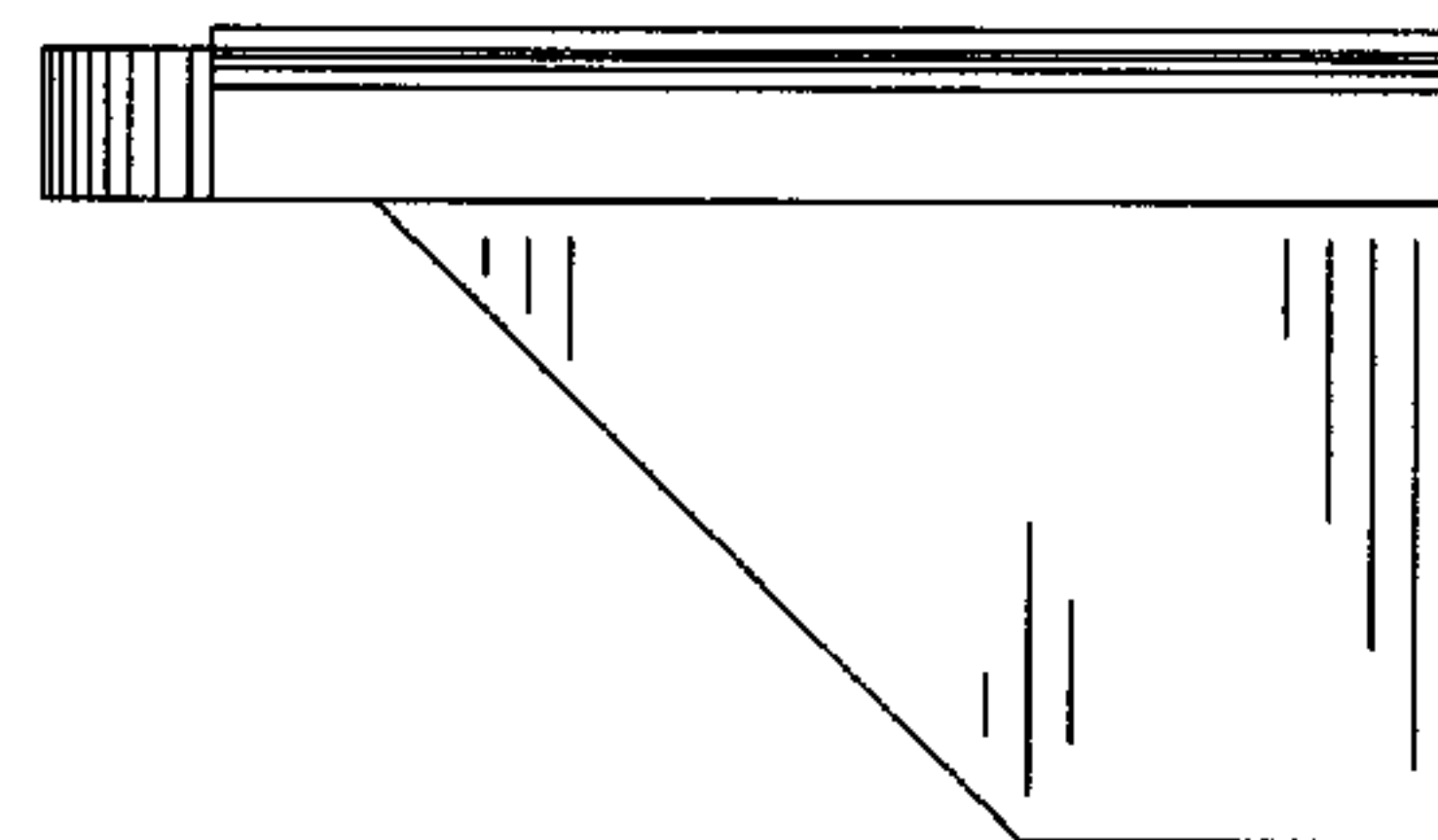
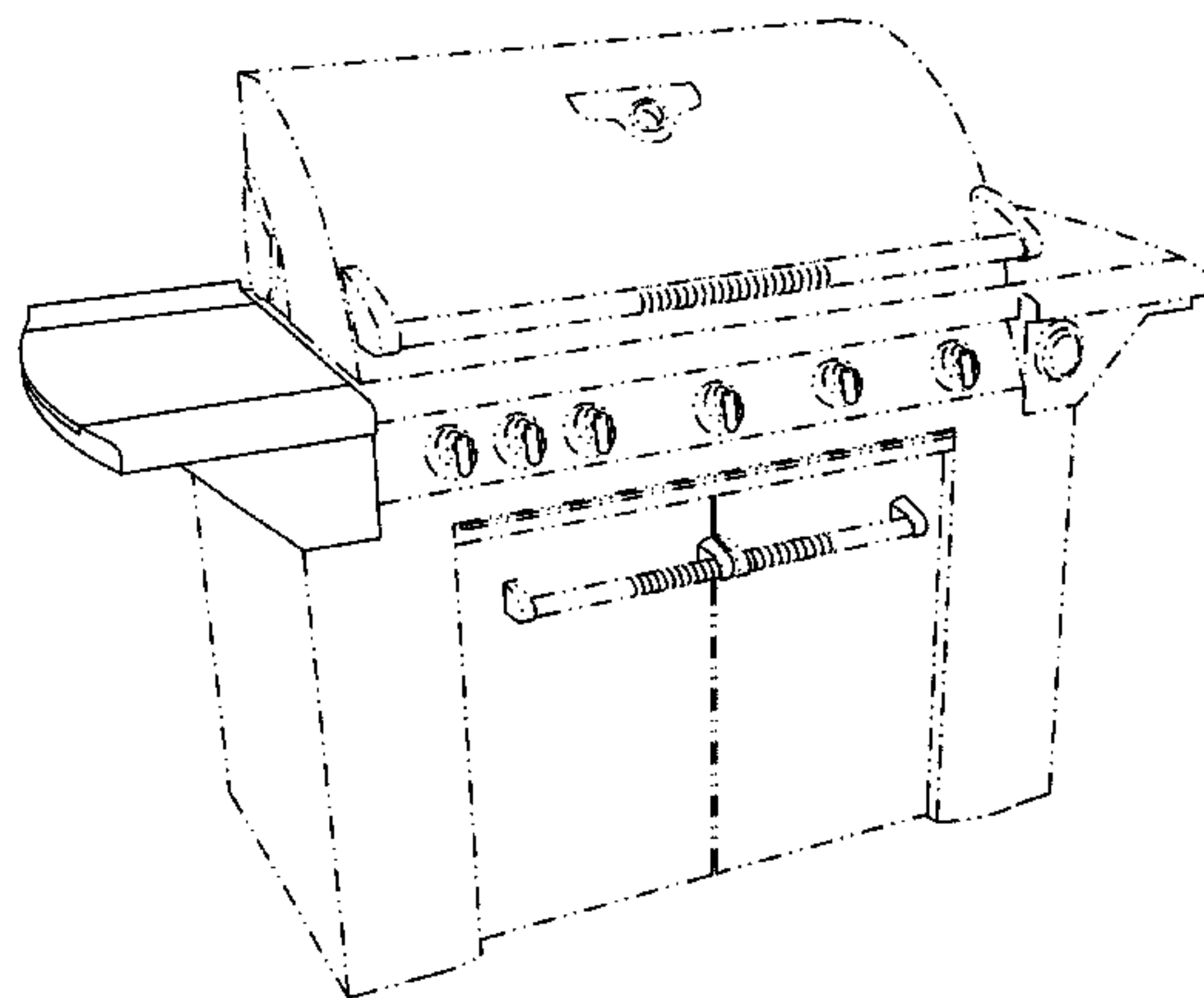
FIG. 4 is a rear elevational view thereof;

FIG. 5 is a top plan view thereof; and,

FIG. 6 is a bottom plan view thereof.

The broken lines shown in FIGS. 1-6 are for illustrative purposes only and form no part of the claimed design.

1 Claim, 4 Drawing Sheets



US D537,295 S

Page 2

U.S. PATENT DOCUMENTS

D435,396 S	*	12/2000	Wagner	D7/402
D435,761 S		1/2001	Johnson		
D436,004 S	*	1/2001	Wagner	D7/402
D451,759 S	*	12/2001	Joss et al.	D7/402
D454,753 S	*	3/2002	Pai	D7/402
6,363,926 B1		4/2002	Stephen et al.		
D462,227 S		9/2002	Alden et al.		
D462,234 S	*	9/2002	Alden et al.	D7/402
D470,718 S		2/2003	Johnson		
D471,761 S		3/2003	Choi et al.		
D516,367 S	*	3/2006	Lutz et al.	D7/335
D521,308 S	*	5/2006	Tseng	D7/334
2003/0029436 A1	*	2/2003	Carden et al.	126/41 R

* cited by examiner

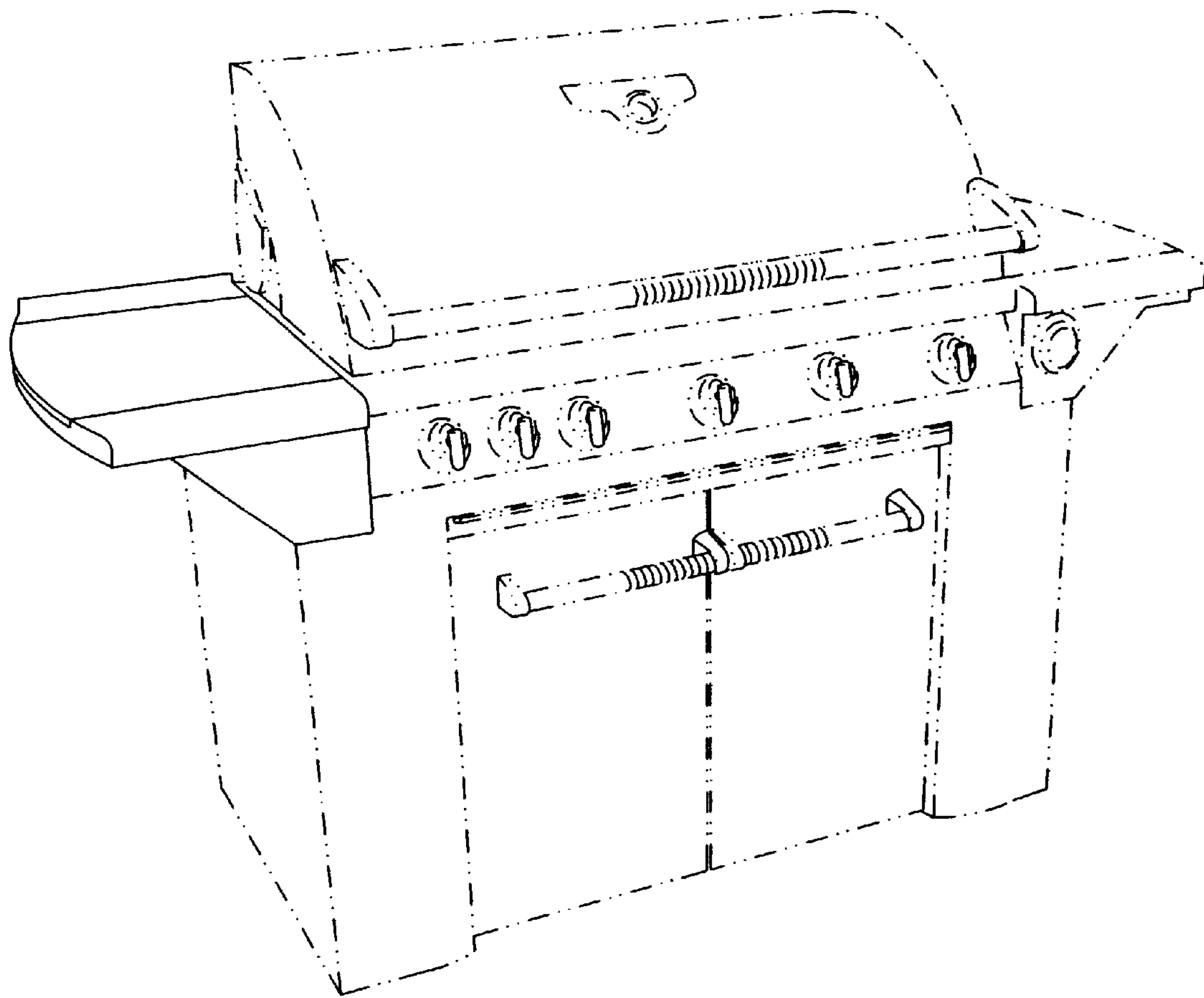


FIG. 1

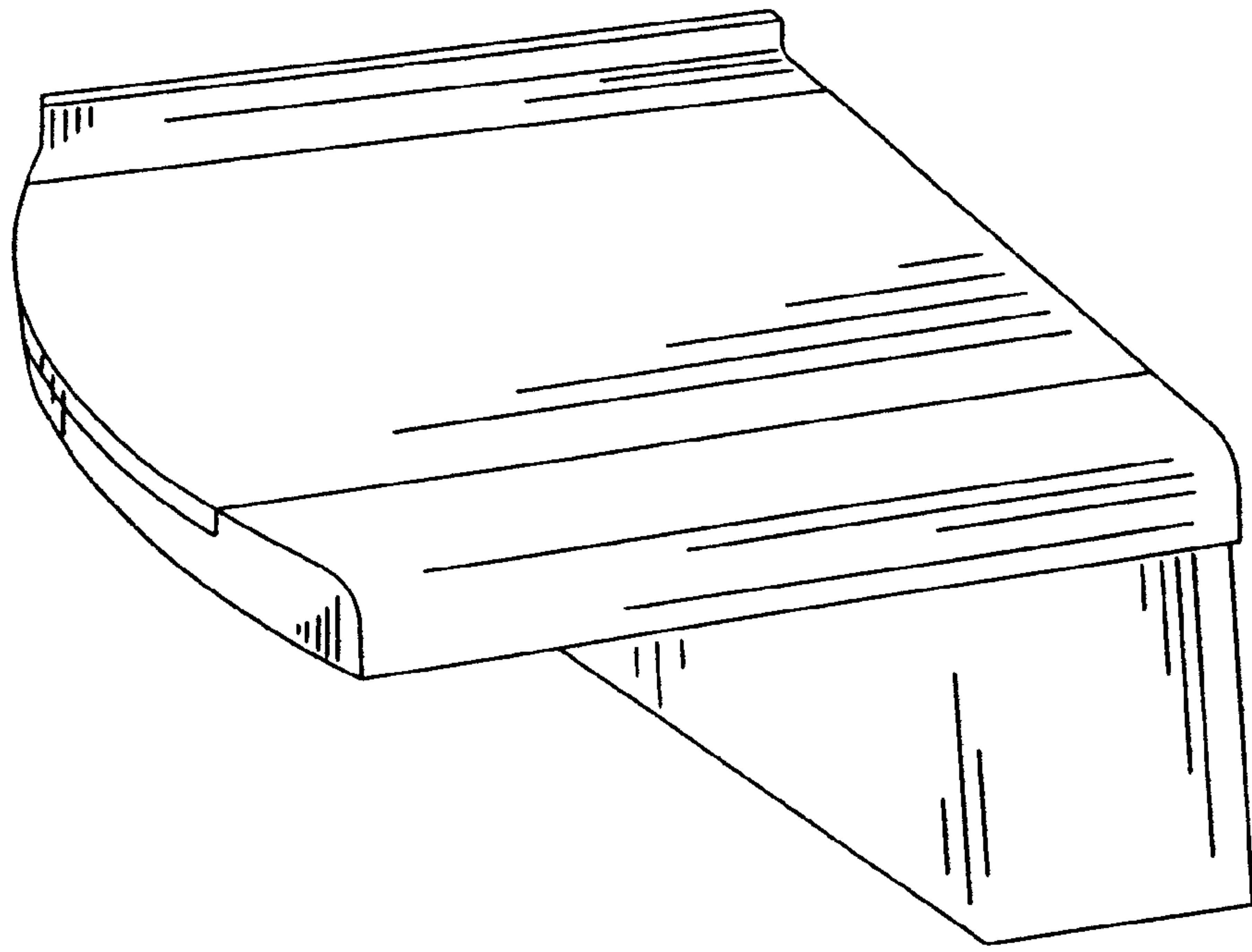


FIG. 2

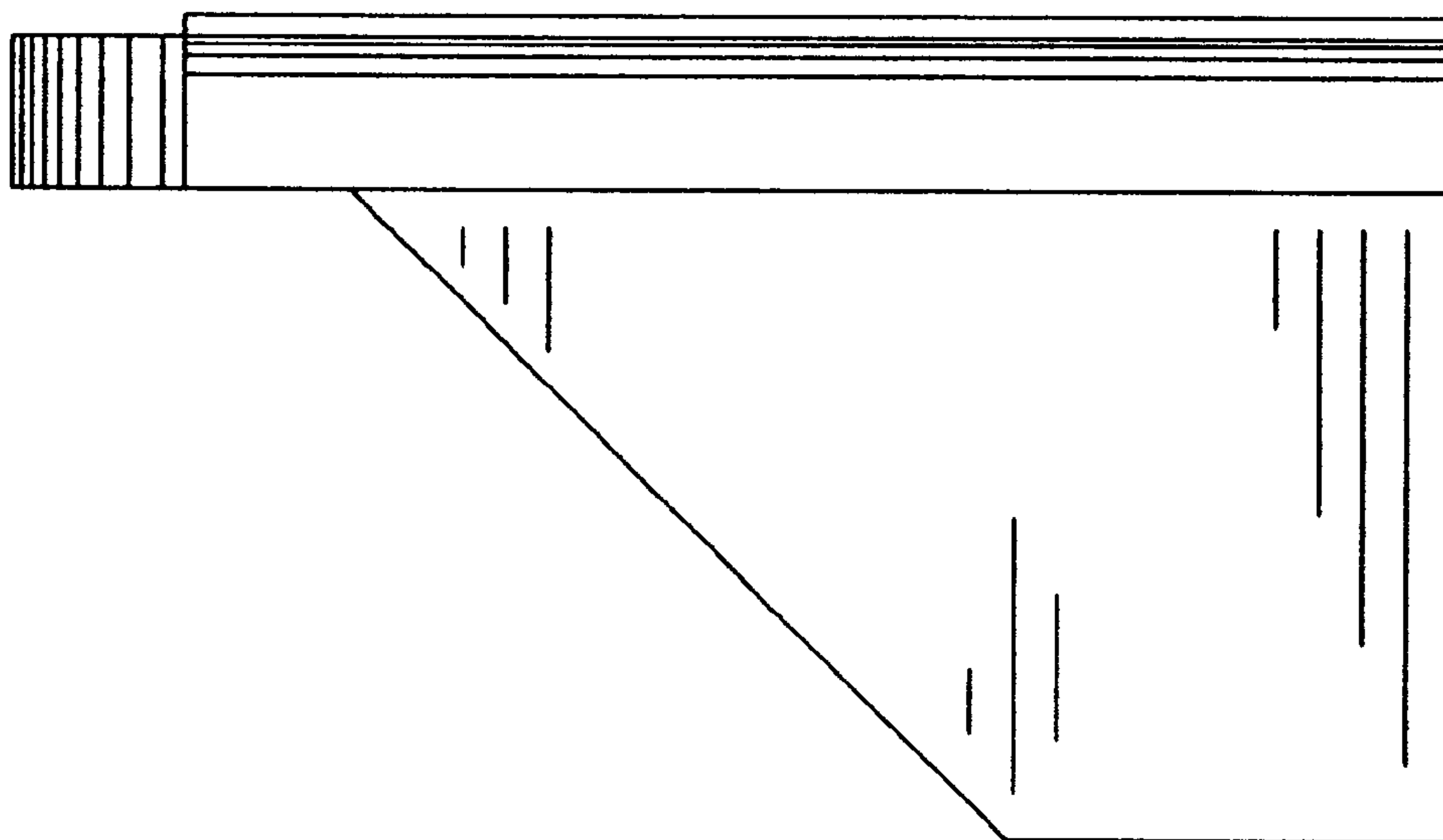


FIG. 3

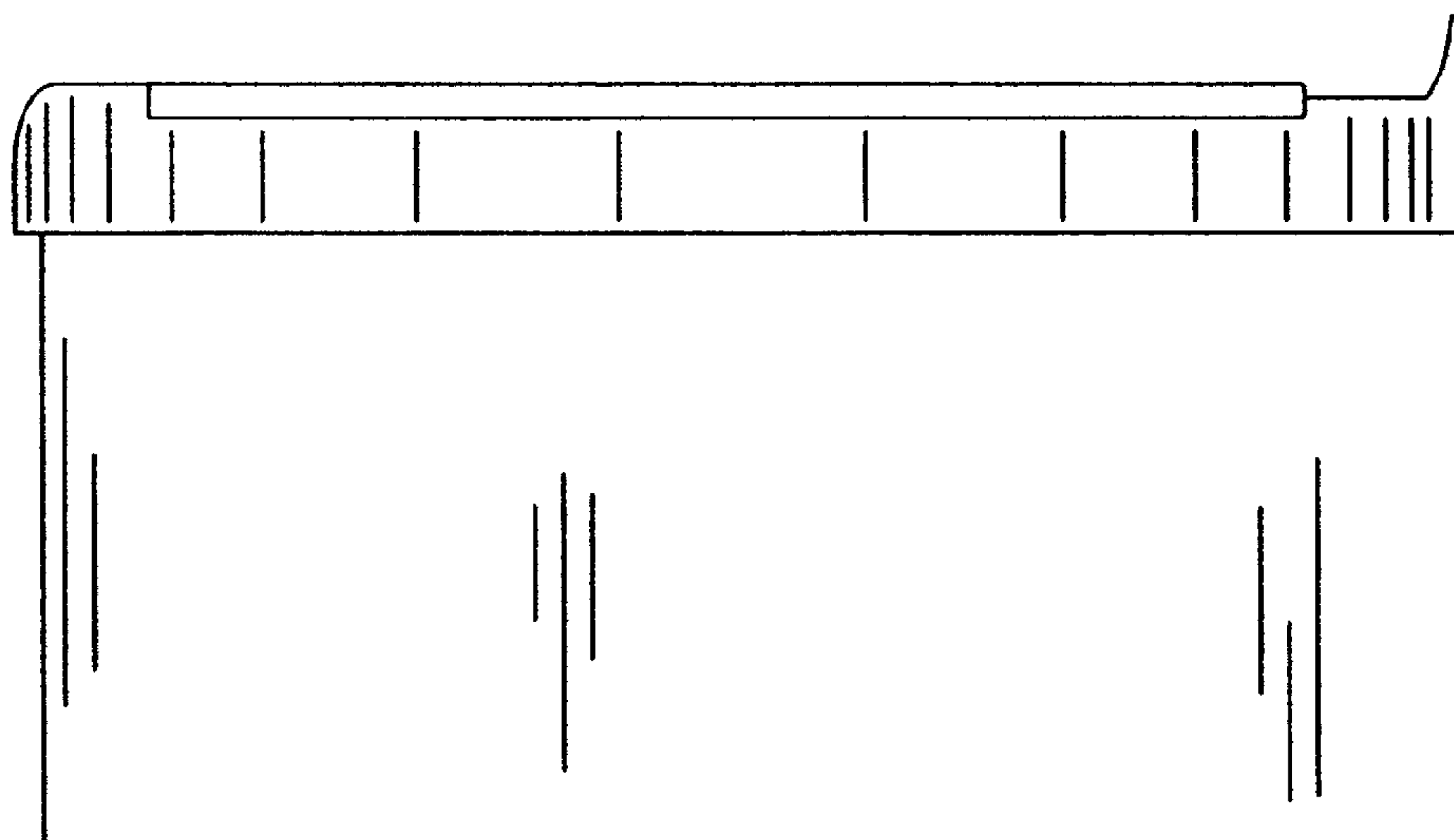


FIG. 4

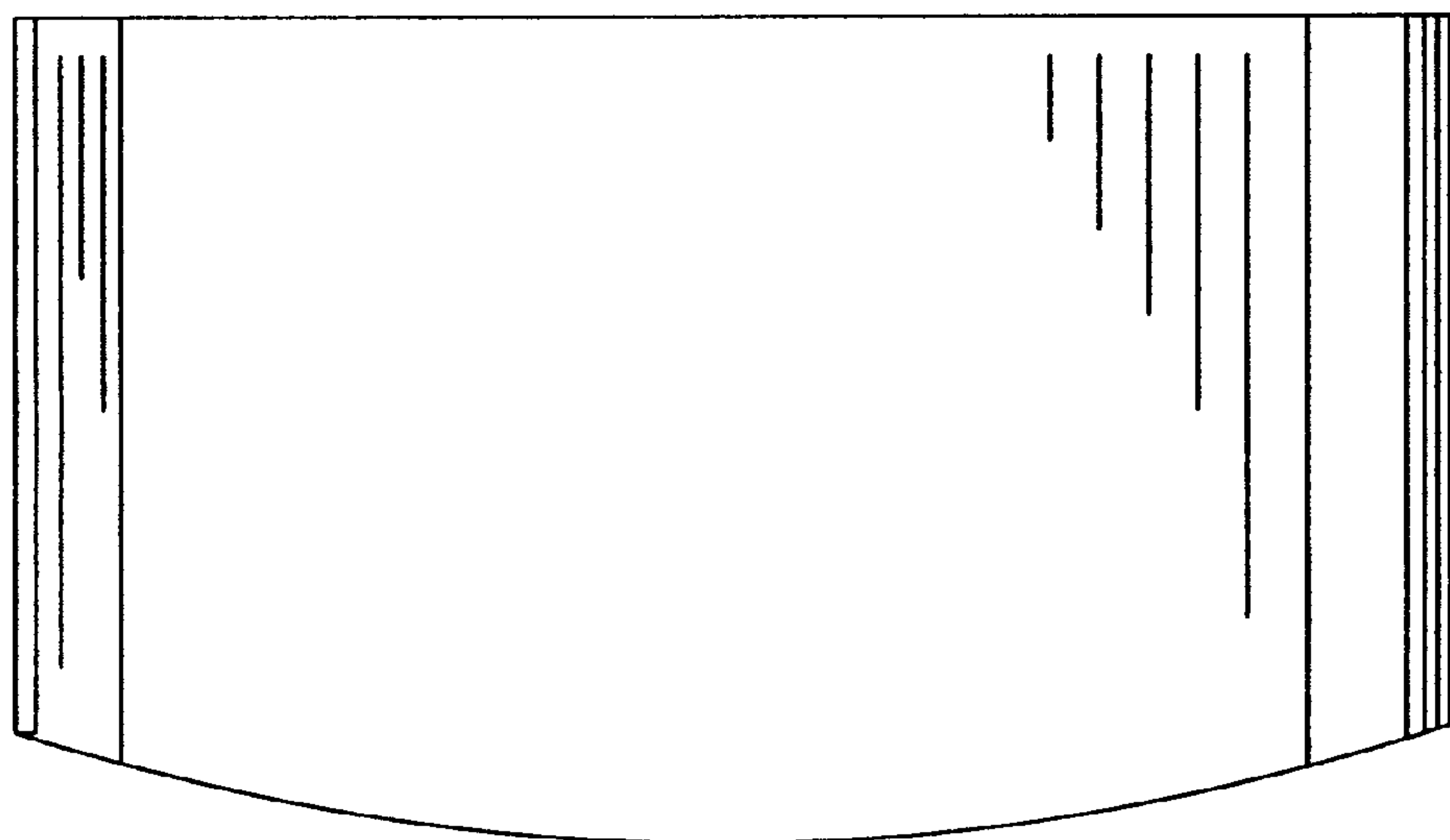


FIG. 5

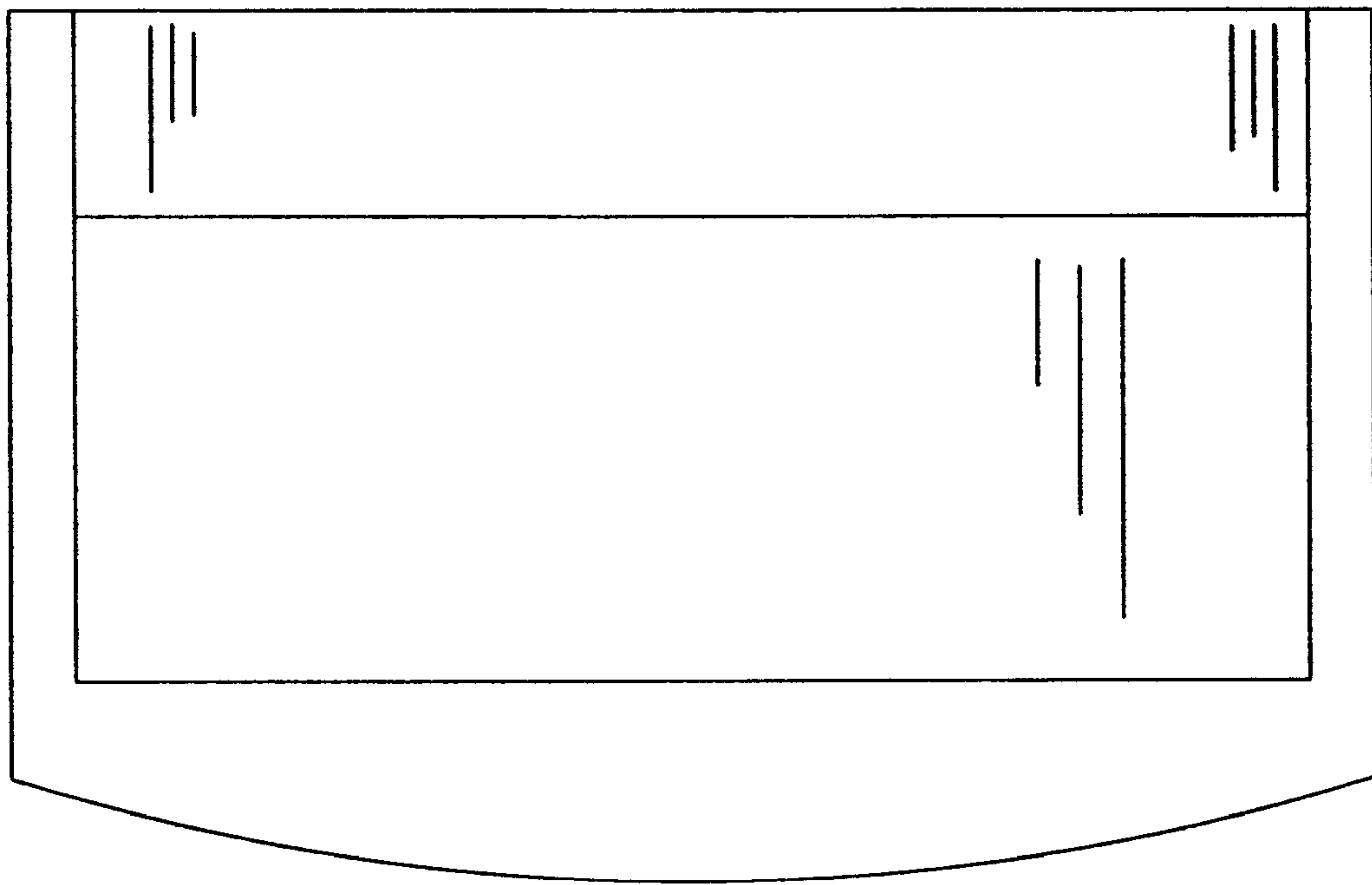


FIG. 6