



US00D537292S

(12) **United States Design Patent** (10) **Patent No.:** **US D537,292 S**
Beesley et al. (45) **Date of Patent:** **** Feb. 27, 2007**

(54) **HAND MIXER**
(75) Inventors: **Brian K. Beesley**, Draper, UT (US);
Eric Hales, Ogden, UT (US); **Liao**
Zhiwen, Foshan (CN)

D194,389 S 1/1963 Benjamin
3,088,345 A 5/1963 Campbell
3,104,089 A 9/1963 Seltsam
3,107,711 A 10/1963 Azmus
D199,888 S * 12/1964 Dewenter D7/378
D200,230 S 2/1965 Seltsam

(73) Assignee: **Back to Basics Products, Inc.**,
Bluffdale, UT (US)

(Continued)

(**) Term: **14 Years**

FOREIGN PATENT DOCUMENTS

(21) Appl. No.: **29/251,615**

(22) Filed: **Jan. 9, 2006**

DE 1429176 10/1968
EP 1475024 11/2004
GB 764361 A 12/1956
JP 2-172609 7/1990
JP 2004 113278 4/2004
JP 2004 357752 12/2004
WO WO2004/080252 9/2004

(51) **LOC (8) Cl.** **31-00**

(52) **U.S. Cl.** **D7/379**

(58) **Field of Classification Search** D7/376-386,
D7/412-414, 665; 99/509-511; 241/30-37.5,
241/101.01-101.02, 166-169.1, 274-278.2,
241/285.1-285.3, 291, 292.1; 366/53-67,
366/98, 197-221, 241-254, 279-292, 341-343,
366/325.94

OTHER PUBLICATIONS

See application file for complete search history.

Froth Aufait "Owner's Manual & Recipe Book" pp. 1-12,
2001.
Operating Instructions for the Mr. Coffee Cocomotion Hot
Chocolate Maker pp. 2-16, Jun. 2002.

Primary Examiner—Cathron C. Brooks

Assistant Examiner—Ricky Pham

(56) **References Cited**

U.S. PATENT DOCUMENTS

373,113 A 11/1887 Wagner
374,706 A 12/1887 Rosenkranz
1,412,536 A 4/1922 Mayer
1,874,079 A 8/1932 Black
2,012,637 A 8/1935 Ribley
2,066,997 A 1/1937 Mueller
2,070,545 A 2/1937 Gilbert
2,104,089 A 1/1938 Marks
2,282,866 A 5/1942 Hagen
2,311,379 A 2/1943 Gillanders
2,315,018 A 3/1943 Lawrence
D156,635 S 12/1949 Law et al.
2,559,196 A 7/1951 Medved
2,785,547 A 3/1957 Barros
D183,177 S 7/1958 Oertli
2,851,258 A 9/1958 Siehrs
2,945,634 A 7/1960 Beck et al.
D189,904 S 3/1961 Seltsam
3,013,775 A 12/1961 Bruntjen

(74) *Attorney, Agent, or Firm*—Thorpe North & Western

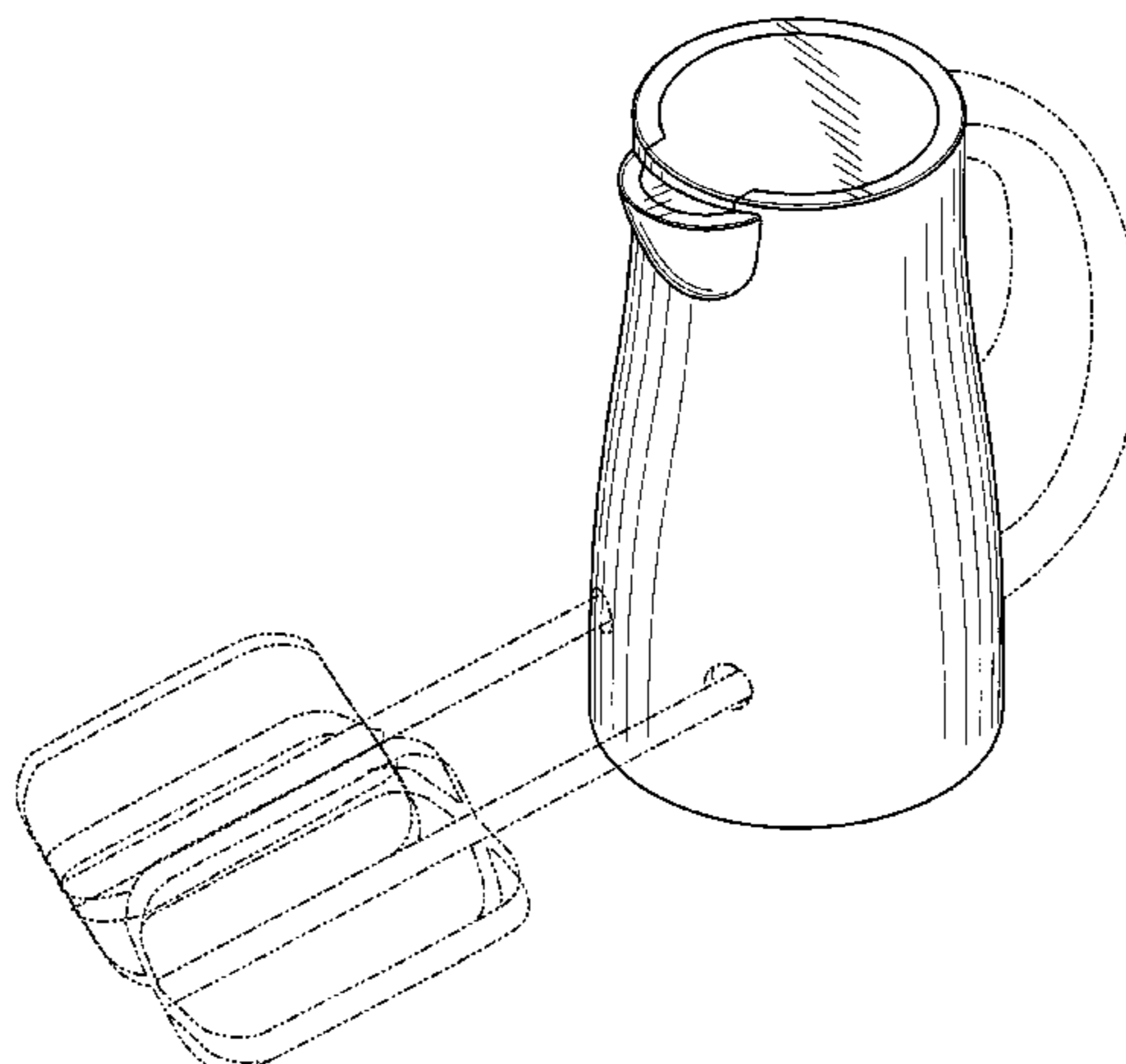
(57) **CLAIM**

The ornamental design for a hand mixer, as shown and
described.

DESCRIPTION

FIG. 1 is an elevated, perspective view of the hand mixer in
accordance with our invention;
FIG. 2 is a front elevational view thereof;
FIG. 3 is a rear elevational view thereof;
FIG. 4 is a right side elevation view thereof;
FIG. 5 is a left side elevation view thereof;
FIG. 6 is a top plan view thereof; and,
FIG. 7 is a bottom plan view thereof.
The broken lines shown in FIGS. 1-7 are for illustrative
purposes only and form no part of the claimed design.

1 Claim, 6 Drawing Sheets



US D537,292 S

Page 2

U.S. PATENT DOCUMENTS					
D205,827	S	9/1966 Plagenberg	D374,589	S	10/1996 Chan
3,315,947	A	4/1967 Nauta	5,567,047	A	10/1996 Fritsch
3,346,029	A	10/1967 Harris	D378,400	S	3/1997 Kowalics
3,355,068	A	11/1967 Harland	D379,050	S	5/1997 Kohanski
3,417,972	A	12/1968 Vincent	5,636,923	A	6/1997 Nejat-Bina
3,427,636	A	2/1969 Seifert	5,662,032	A	9/1997 Baratta
3,765,275	A	10/1973 Johnson	5,671,664	A	9/1997 Jacobson
3,780,393	A	12/1973 Gaetke	5,690,021	A	11/1997 Grey
3,895,548	A	7/1975 Sauve	5,758,963	A	6/1998 Xie et al.
3,920,224	A	11/1975 Fassauer	D396,377	S	* 7/1998 Tamura D7/319
3,938,784	A	2/1976 Moreton	D398,810	S	* 9/1998 Cousins D7/379
4,030,707	A	6/1977 Moreton	5,823,667	A	10/1998 Fukushima et al.
4,071,789	A	1/1978 Ernster et al.	5,857,946	A	1/1999 Brown
D249,701	S	9/1978 Maples et al.	D412,262	S	7/1999 Roundtree
4,116,366	A	9/1978 Takenakashima et al.	6,039,126	A	3/2000 Hsieh
4,137,578	A	2/1979 Felici	6,065,188	A	5/2000 Wold et al.
4,201,487	A	5/1980 Backhaus	6,065,861	A	5/2000 Chen
4,250,771	A	2/1981 Berler	D428,757	S	* 8/2000 Loffler et al. D7/319
4,252,160	A	2/1981 Numbers	6,158,626	A	12/2000 Guerra et al.
4,268,080	A	5/1981 Lindley	6,193,404	B1	2/2001 Calange
4,337,000	A	6/1982 Lehmann	D439,797	S	* 4/2001 Planca et al. D7/378
4,357,861	A	11/1982 Di Girolamo	6,283,625	B2	9/2001 Frankel et al.
D267,841	S	2/1983 Leslie	6,318,247	B1	11/2001 Di Nunzio et al.
D268,811	S	5/1983 Black	D453,279	S	* 2/2002 Huang D7/318
D269,471	S	6/1983 Auerbach	D453,443	S	* 2/2002 Hoare et al. D7/378
4,395,792	A	8/1983 Cosner	D463,194	S	9/2002 Busick et al.
4,397,427	A	8/1983 Howard	D465,127	S	* 11/2002 Lee D7/378
D271,176	S	11/1983 Zimnowicz	6,488,400	B1	12/2002 Masip et al.
D271,368	S	11/1983 Belland et al.	6,523,994	B2	2/2003 Lawson
4,488,664	A	12/1984 Cleland	6,527,433	B2	3/2003 Daniels, Jr.
4,501,538	A	2/1985 Bray et al.	D473,421	S	4/2003 Daniels, Jr.
4,513,688	A	4/1985 Fassauer	D474,065	S	5/2003 Daniels, Jr.
4,537,332	A	8/1985 Brown et al.	D474,067	S	5/2003 Daniels, Jr.
4,561,782	A	12/1985 Jacobsen et al.	D474,643	S	5/2003 Daniels, Jr.
D293,538	S	* 1/1988 Zimmermann D7/317	D476,523	S	7/2003 Bodum
D295,138	S	4/1988 Hyde	D478,242	S	8/2003 Garman
4,824,369	A	4/1989 Levy	6,609,821	B2	8/2003 Wulf et al.
4,850,699	A	7/1989 Rebordosa	D482,235	S	11/2003 Yui
5,048,402	A	9/1991 Letournel et al.	6,652,137	B1	11/2003 Bosch et al.
D322,005	S	* 12/1991 Cliff D7/317	D483,993	S	* 12/2003 Boyle et al. D7/413
D337,234	S	7/1993 McGinnis	D487,213	S	* 3/2004 Boyle et al. D7/378
5,302,021	A	4/1994 Jennett et al.	6,719,450	B2	4/2004 Glucksman et al.
5,316,382	A	5/1994 Penaranda et al.	D493,331	S	7/2004 Munoz
D347,965	S	6/1994 Hoffman et al.	D494,410	S	8/2004 Stuart et al.
5,323,691	A	6/1994 Reese et al.	6,789,933	B2	9/2004 Gili et al.
5,356,215	A	10/1994 Inoue et al.	6,811,298	B2	11/2004 Penaranda et al.
5,372,420	A	12/1994 Van Deursen et al.	6,817,750	B1	11/2004 Sands
D363,634	S	10/1995 Cohn	2001/0006486	A1	7/2001 Ofvcerberg
D364,990	S	* 12/1995 Fonville D7/317	2002/0027175	A1	3/2002 Capp
5,479,851	A	1/1996 McClean et al.	2002/0080678	A1	6/2002 Daniel, Jr.
D370,151	S	5/1996 McLinden et al.	2002/0136086	A1	9/2002 Gili et al.
5,518,312	A	5/1996 Inoue et al.	2003/0099154	A1	5/2003 Daniels, Jr.

* cited by examiner

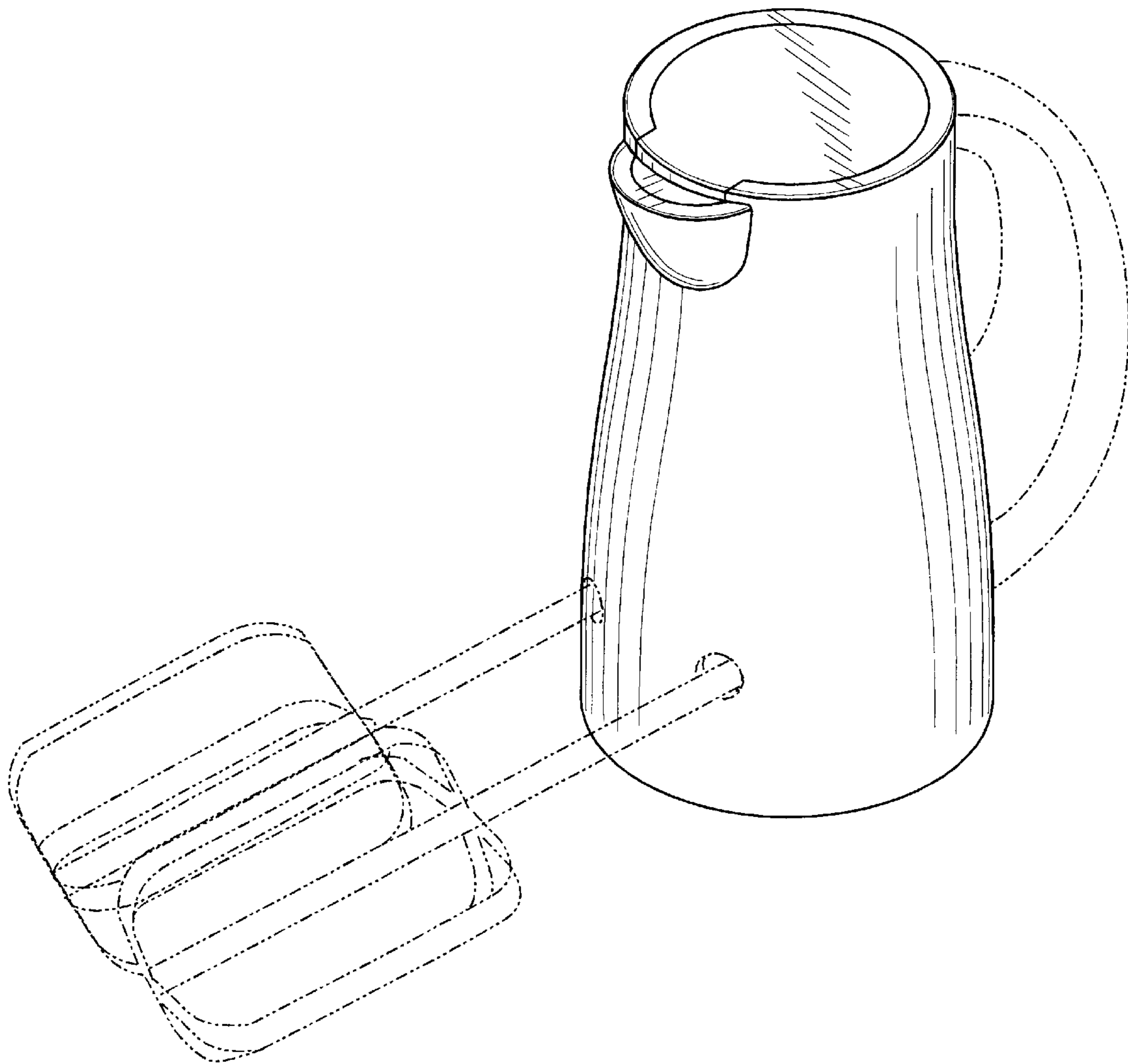


FIG. 1

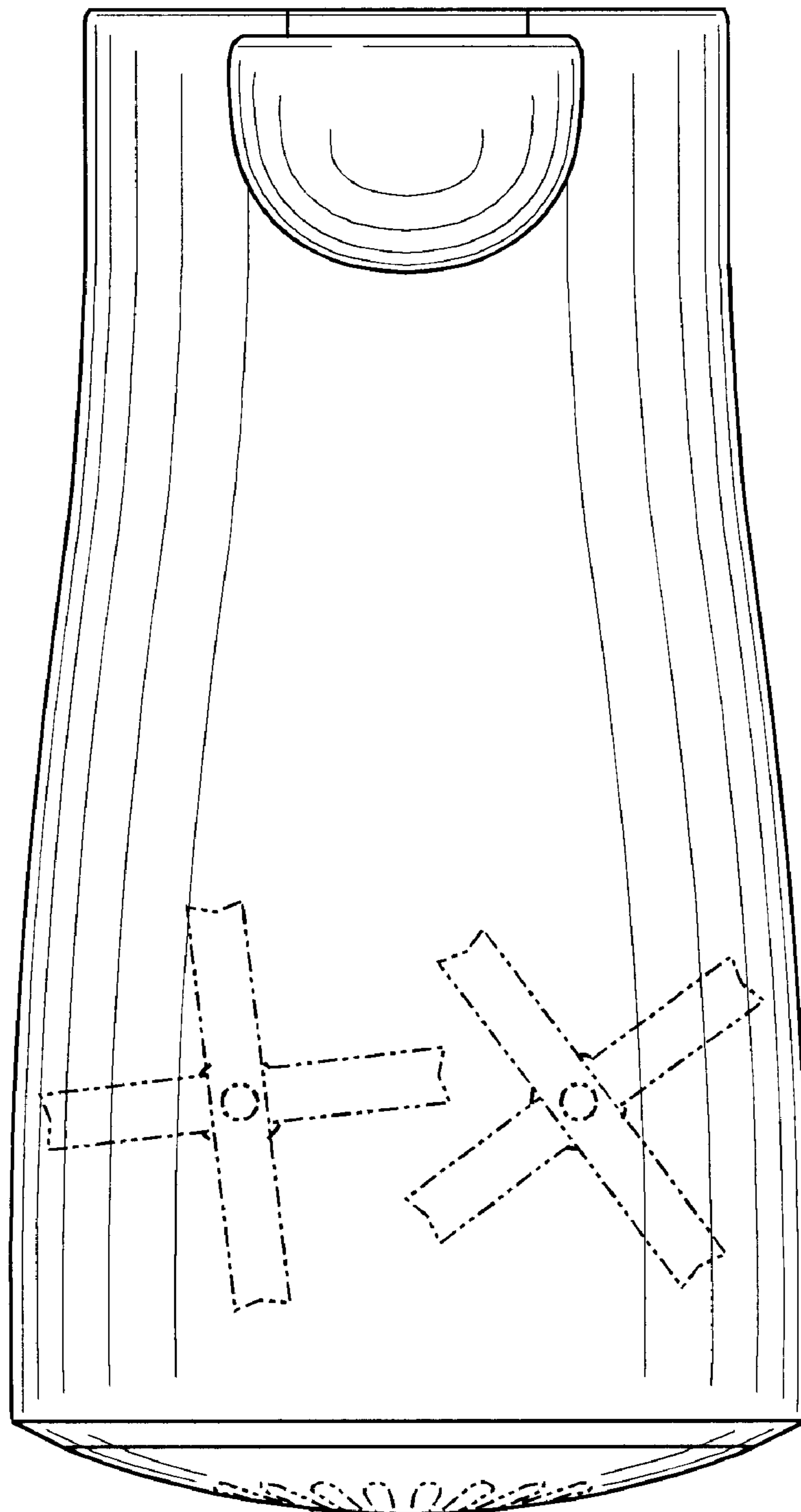


FIG. 2

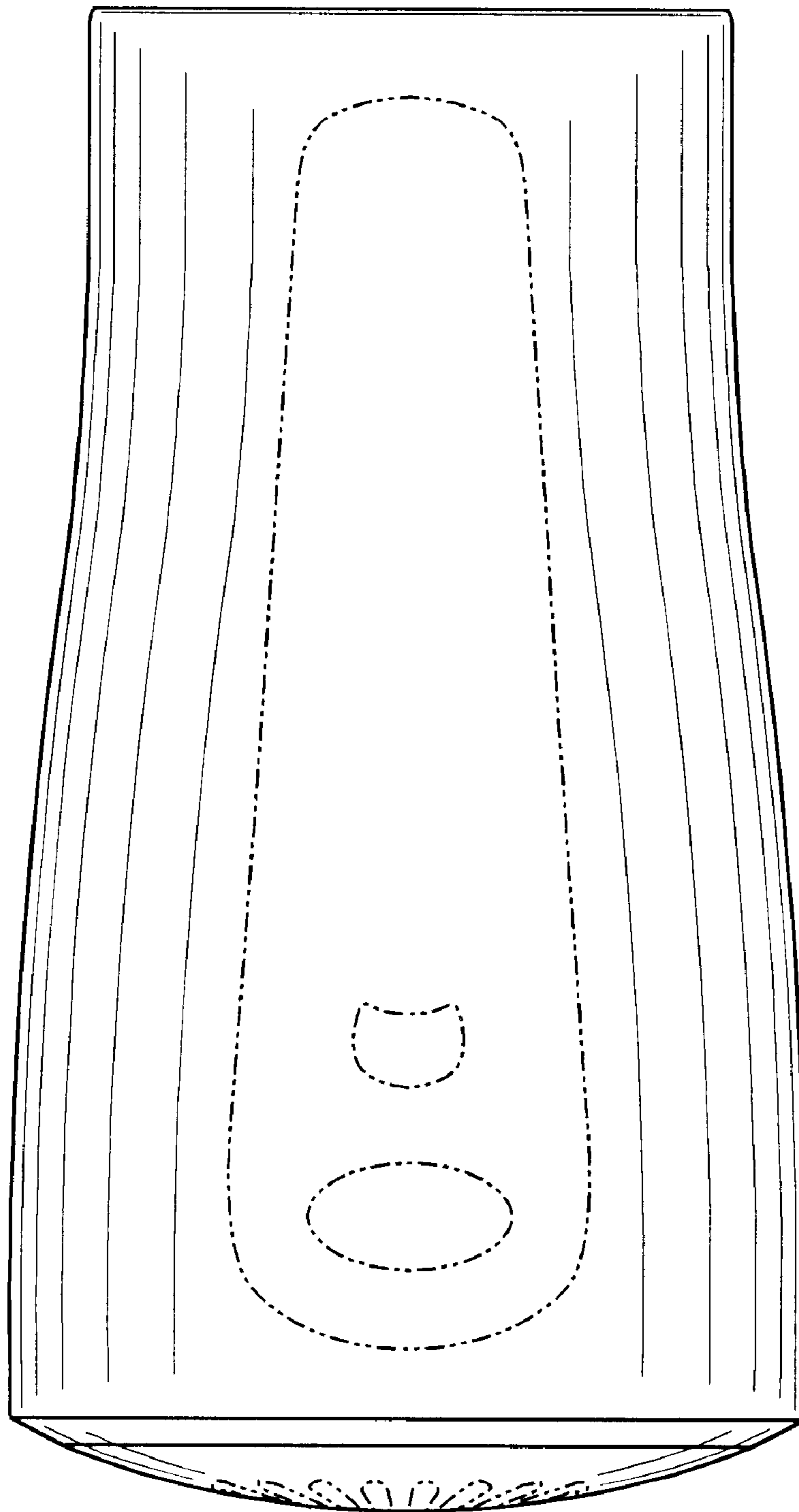


FIG. 3

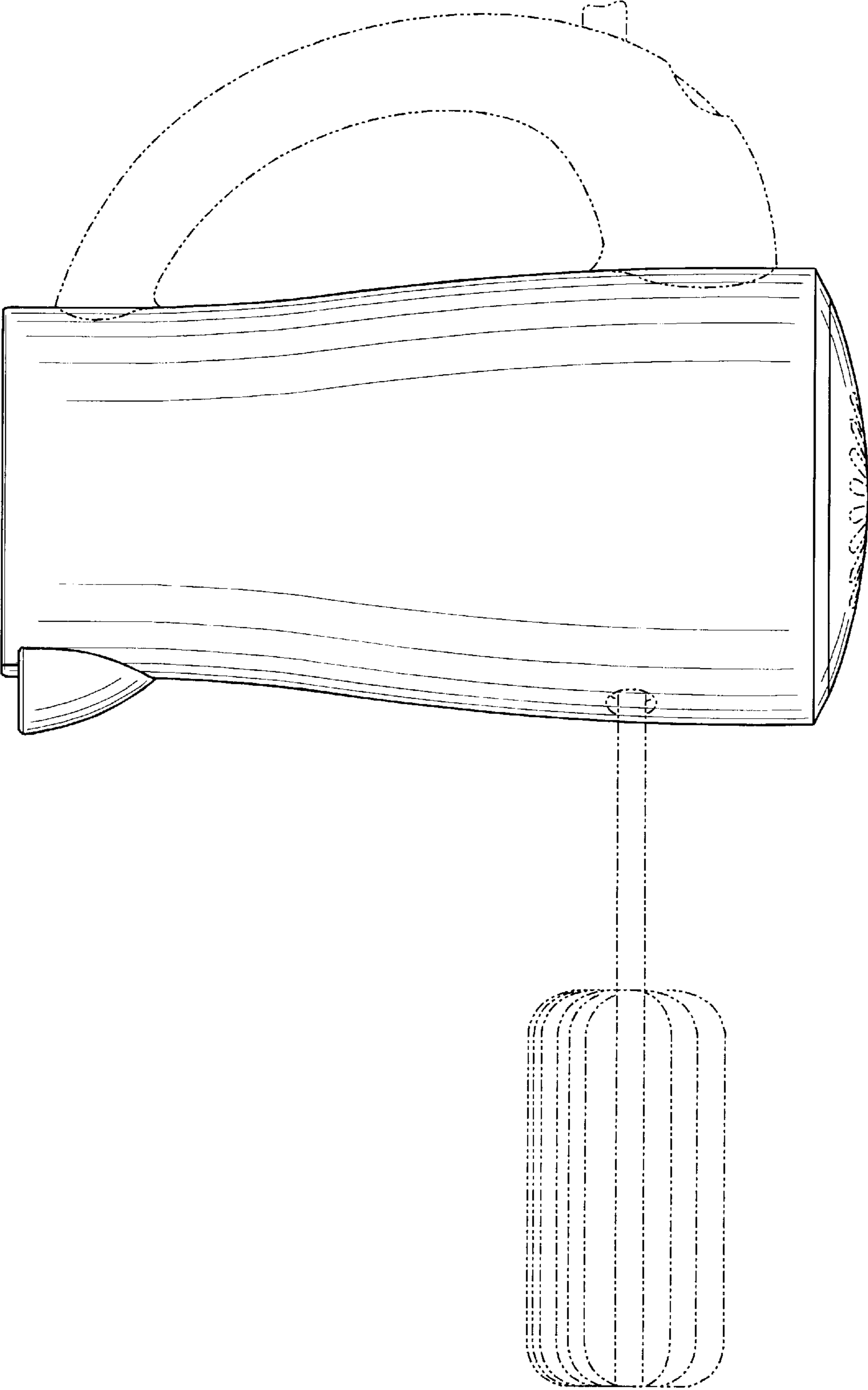


FIG. 4

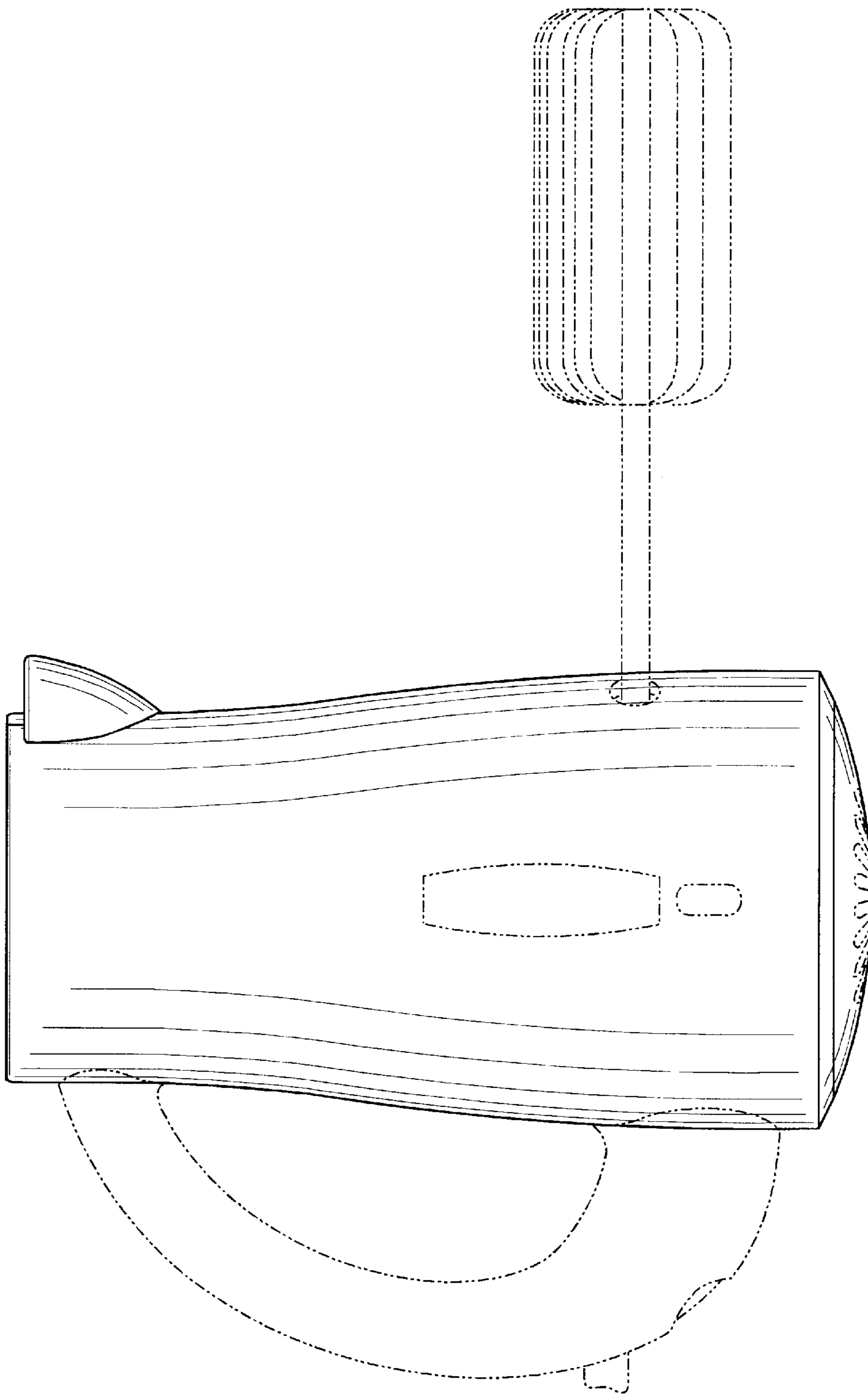


FIG. 5

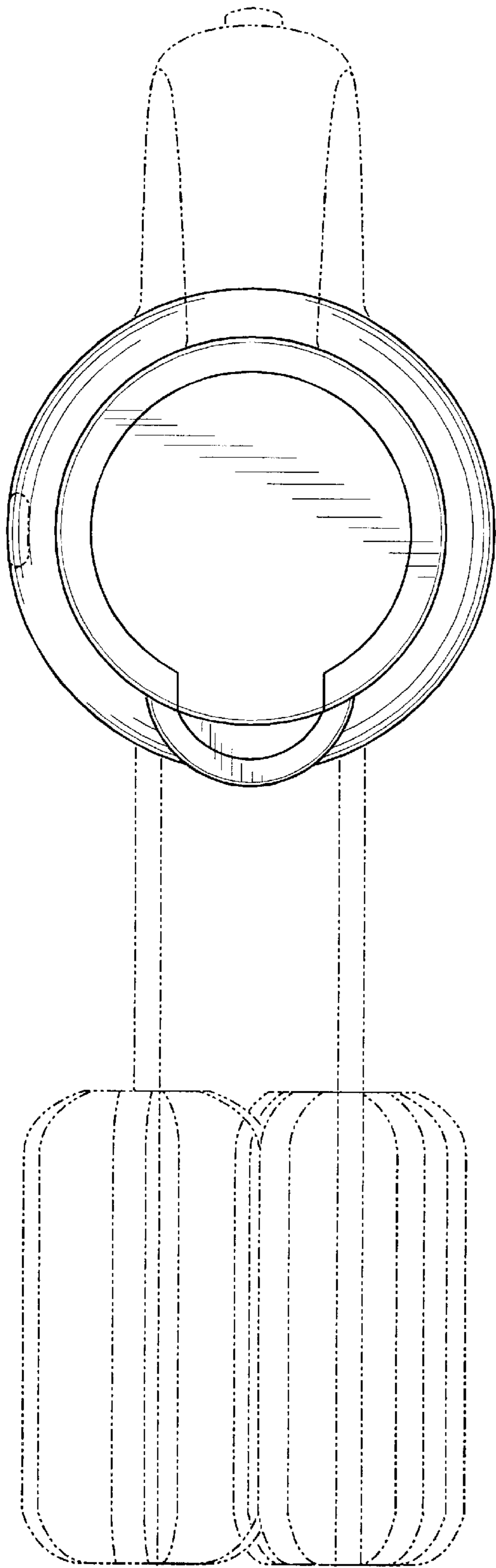


FIG. 6

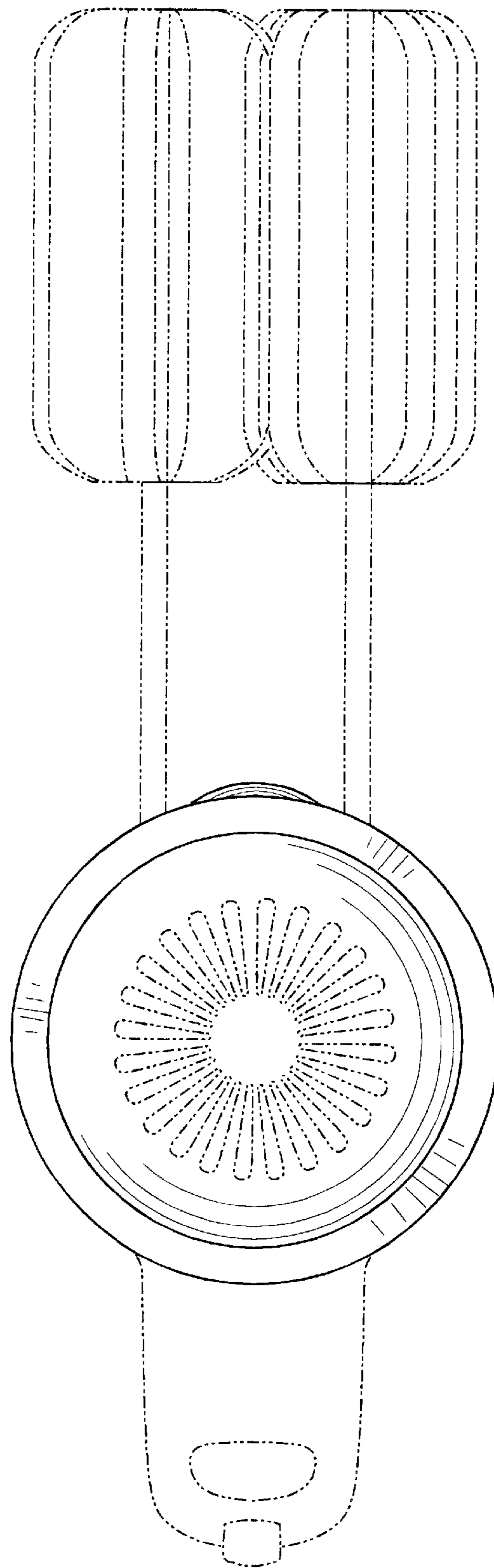


FIG. 7