

US00D537290S

(12) **United States Design Patent**  
**Goiseau**

(10) **Patent No.:** **US D537,290 S**

(45) **Date of Patent:** **\*\* Feb. 27, 2007**

(54) **CHOCOLATE FOUNTAIN**

D523,278 S \* 6/2006 Tse ..... D7/304  
7,095,954 B2 \* 8/2006 Esnault ..... 392/442

(75) Inventor: **Didier Goiseau**, Vernouillet (FR)

\* cited by examiner

(73) Assignee: **Sebsa** (FR)

*Primary Examiner*—Robin Webster

(\*\*) Term: **14 Years**

(74) *Attorney, Agent, or Firm*—Gerald E. Hespos; Anthony J. Casella

(21) Appl. No.: **29/229,483**

(57) **CLAIM**

(22) Filed: **May 6, 2005**

The ornamental design of a “chocolate fountain”, as shown and described.

(30) **Foreign Application Priority Data**

Nov. 8, 2004 (EM) ..... 000255963

**DESCRIPTION**

(51) **LOC (8) Cl.** ..... **07-01**

(52) **U.S. Cl.** ..... **D7/304**

(58) **Field of Classification Search** ..... D23/201;  
D7/300, 304; 239/17, 20–21

See application file for complete search history.

FIG. 1 is a perspective view of a chocolate fountain in accordance with the subject invention; FIG. 2 is a top plan view thereof; FIG. 3 is a front elevational view of the chocolate fountain; FIG. 4 is a left side elevational view thereof; FIG. 5 is a right side elevational view thereof; FIG. 6 is a rear elevational view thereof; and, FIG. 7 is bottom plan view thereof.

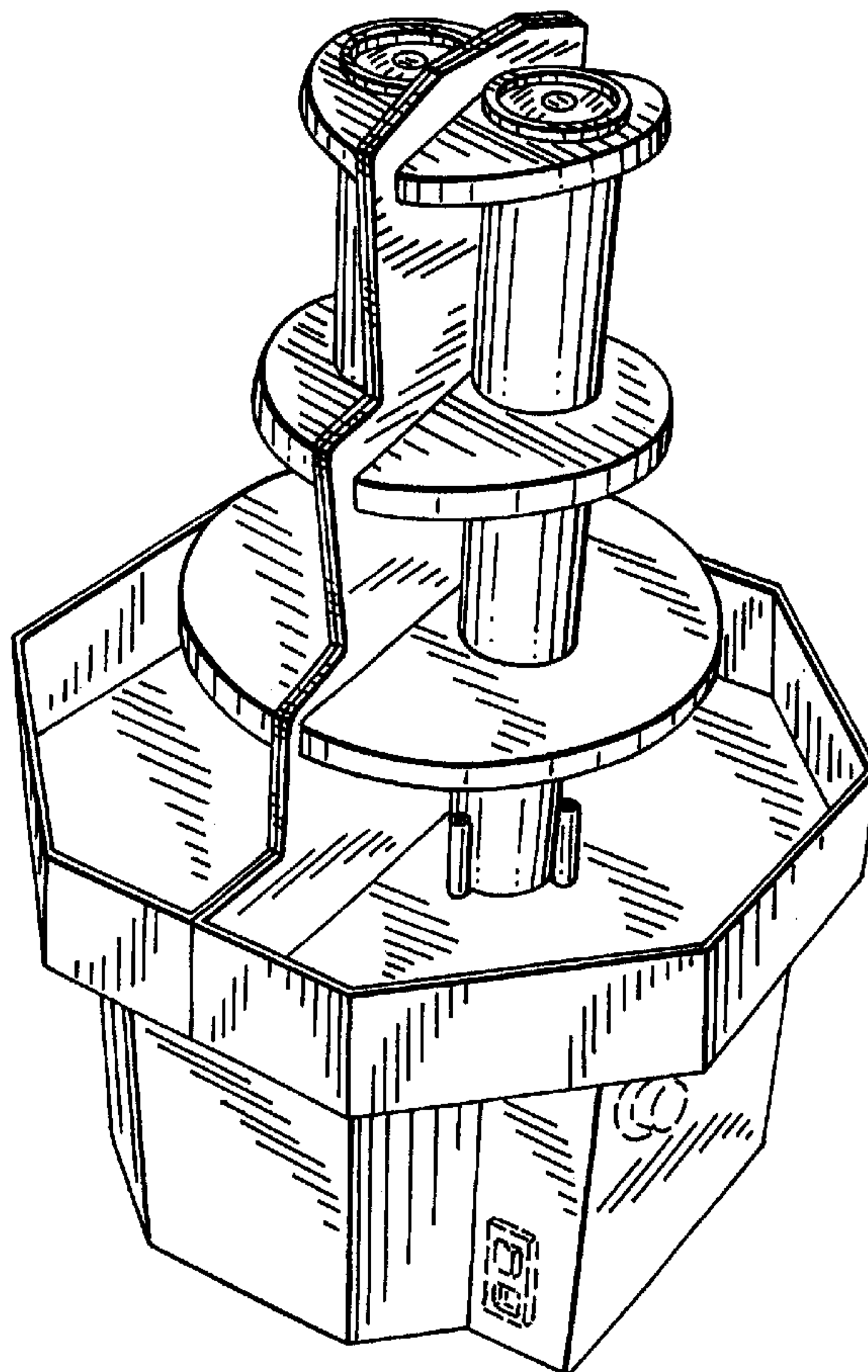
The broken line showing is included for the purpose of illustrating environment and forms no part of the claimed design.

(56) **References Cited**

**U.S. PATENT DOCUMENTS**

D182,725 S \* 5/1958 Kaufman ..... D23/201  
D211,686 S \* 7/1968 Pontrelli ..... D23/201  
D221,650 S \* 8/1971 Gruber ..... D23/201  
3,713,583 A \* 1/1973 Gruber ..... 239/17

**1 Claim, 6 Drawing Sheets**



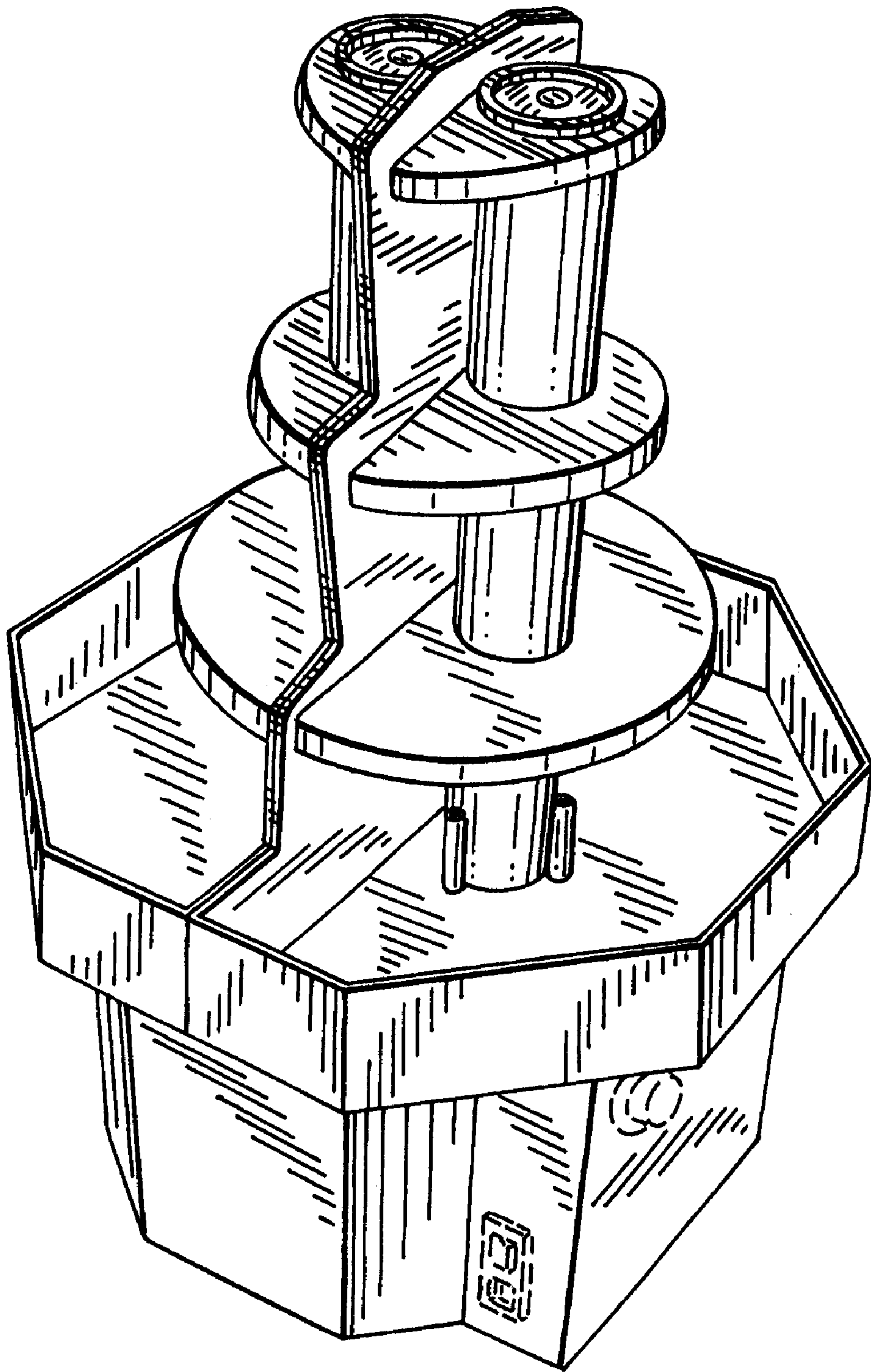


FIG. 1

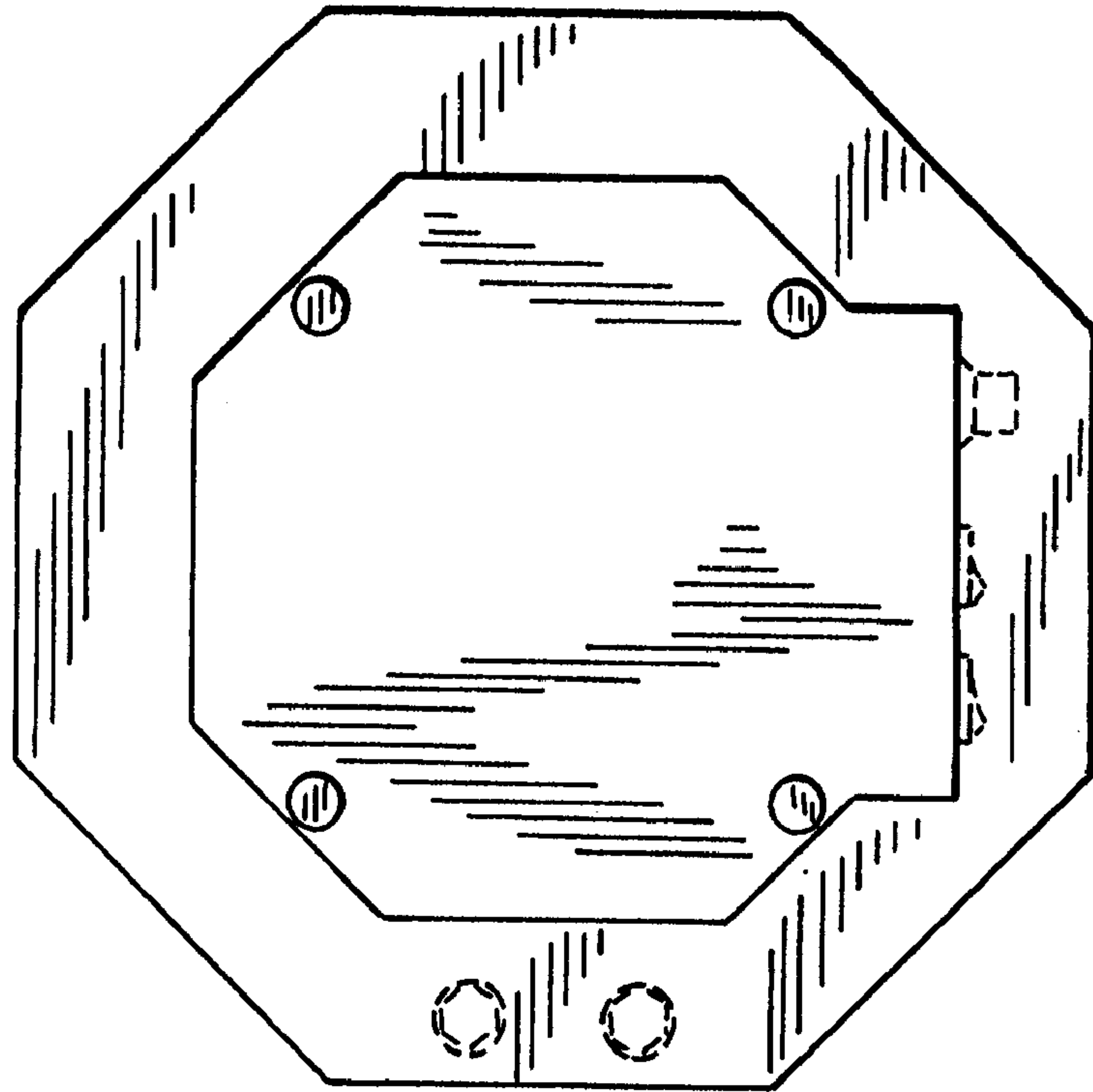


FIG. 7

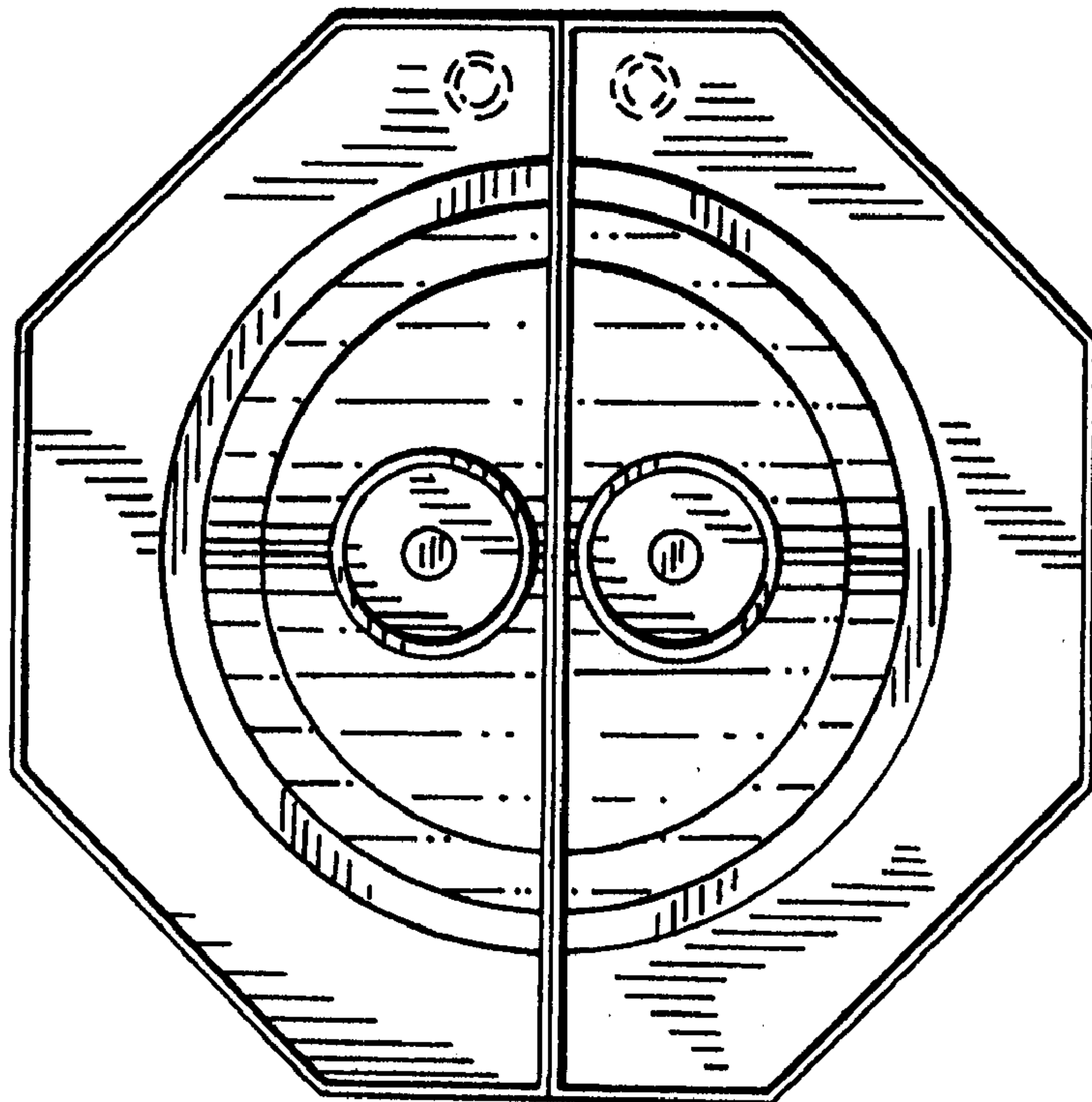


FIG. 2

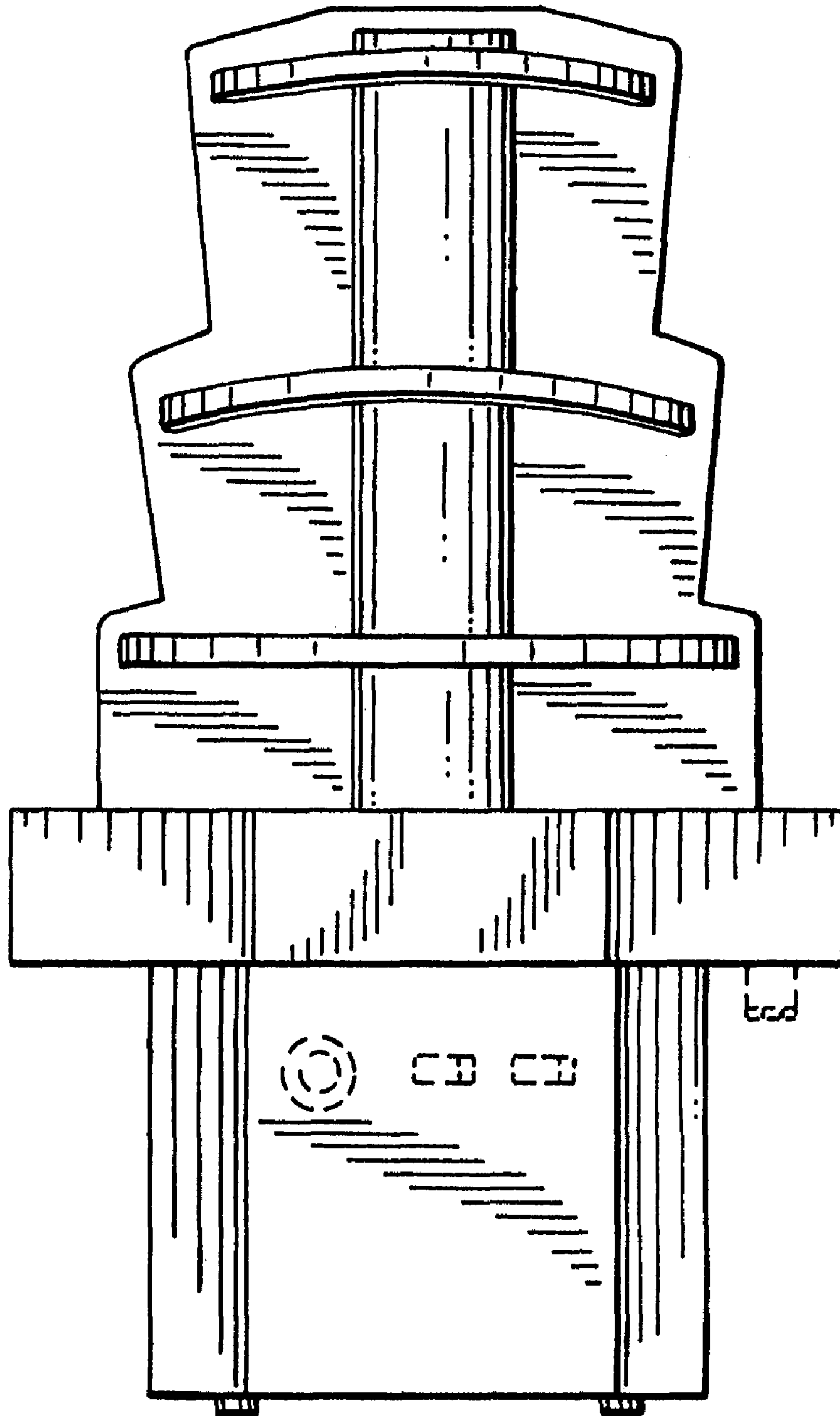


FIG.3



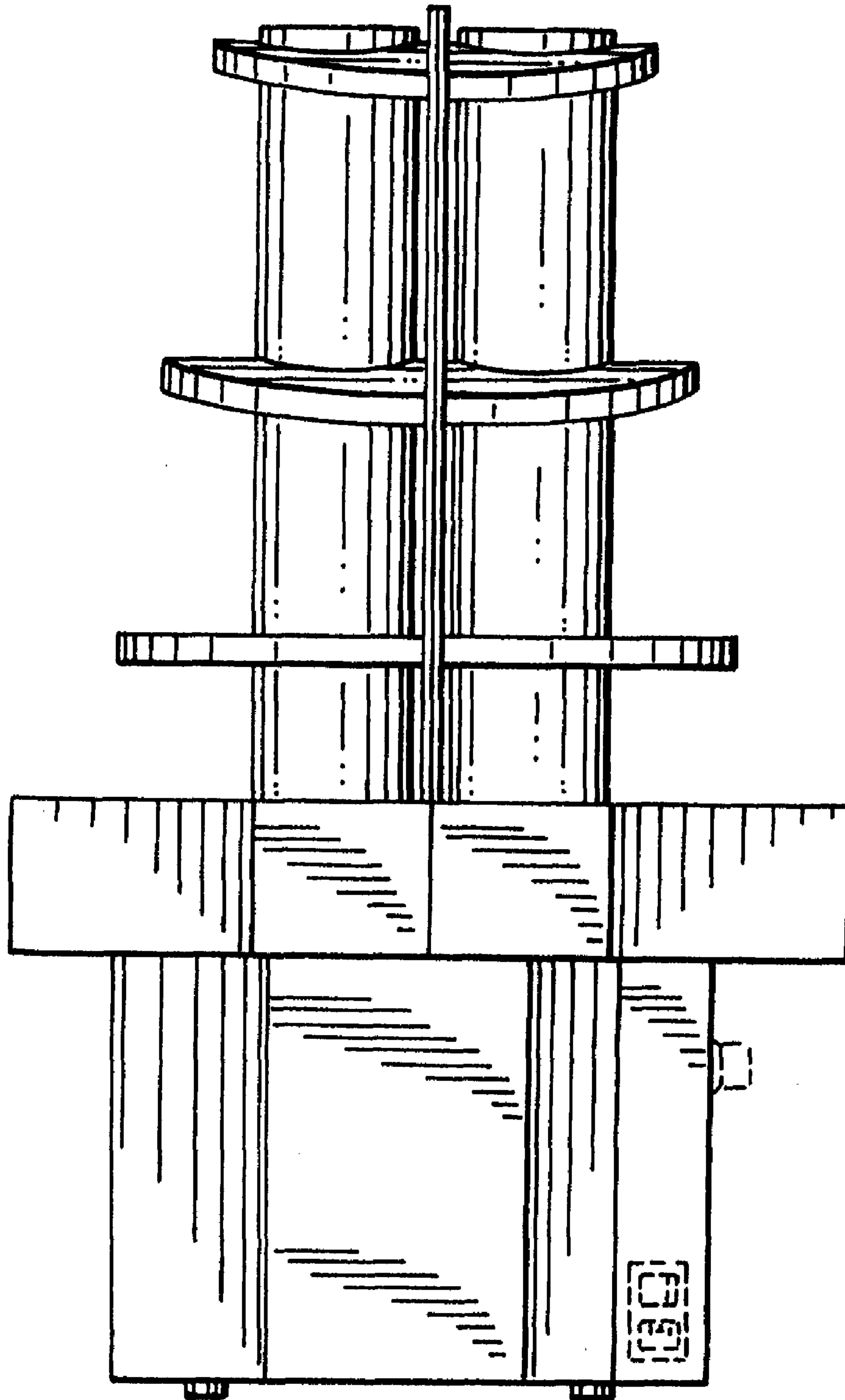


FIG. 4

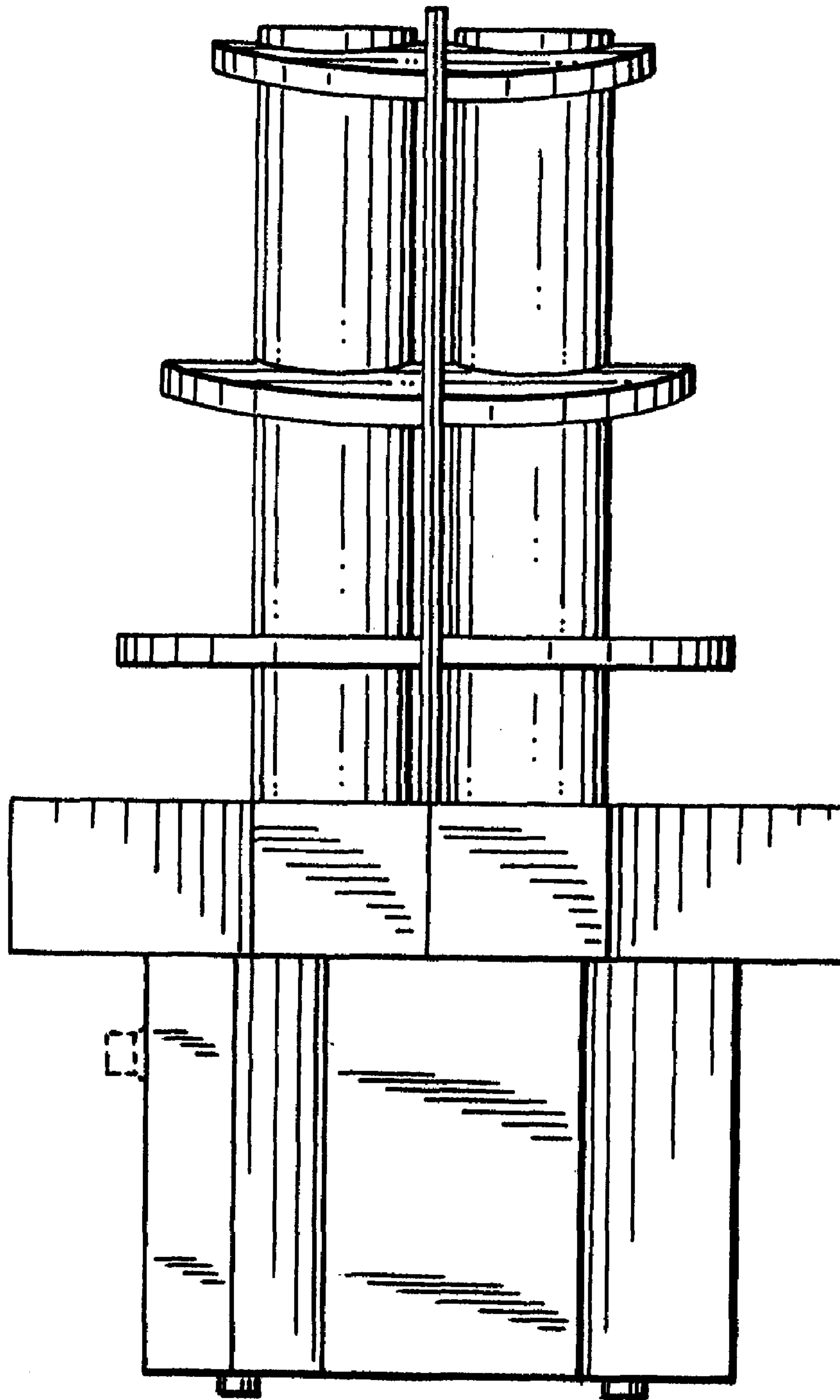


FIG.5

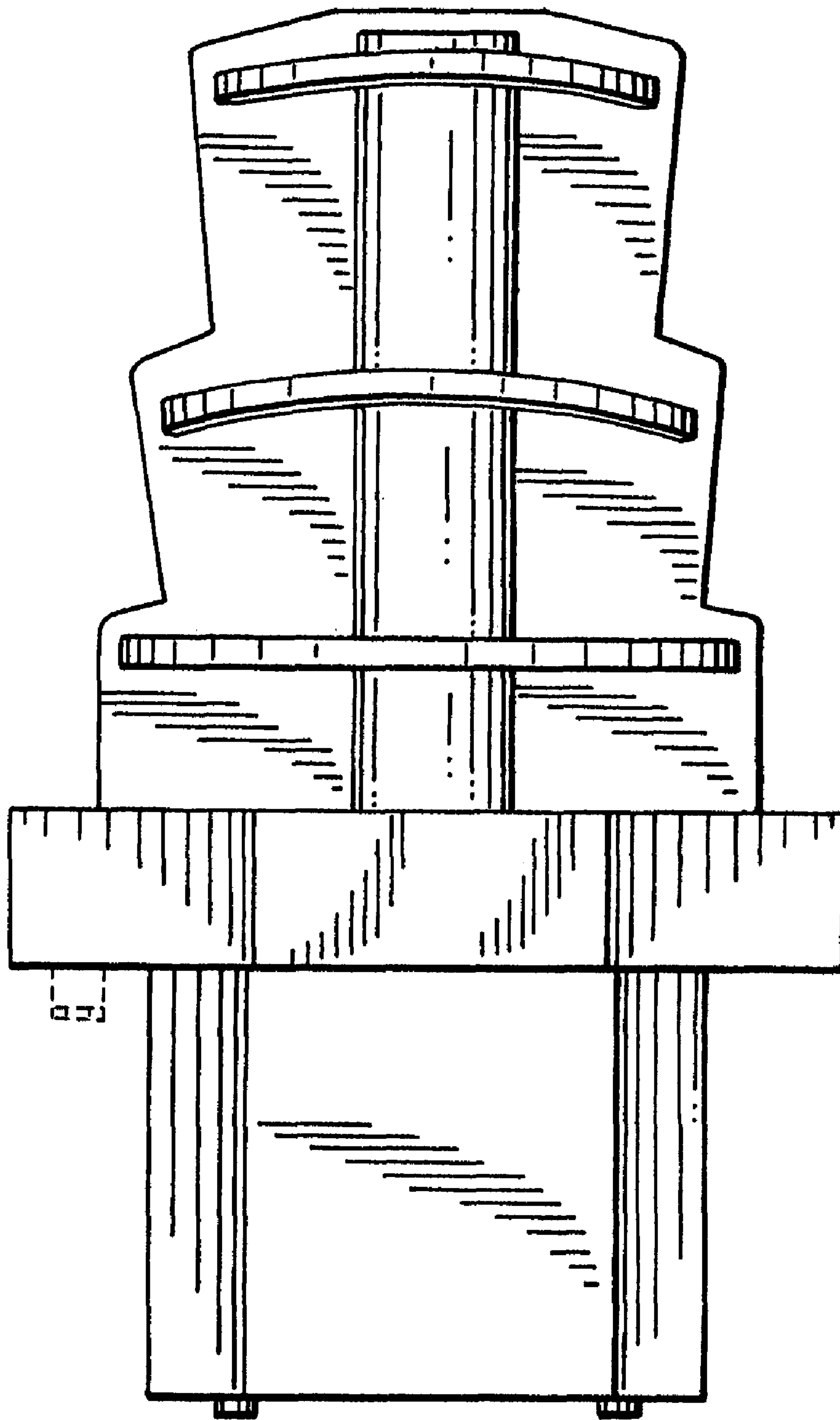


FIG. 6