



US00D537289S

(12) **United States Design Patent**  
**Eskandry**

(10) **Patent No.:** **US D537,289 S**

(45) **Date of Patent:** **\*\* Feb. 27, 2007**

(54) **AUTOMOBILE SEAT COVER FOR ACCESSORIES**

(76) Inventor: **Ezra D. Eskandry**, 3802 NE. 207<sup>th</sup> St., TH-5, Aventura, FL (US) 33180

(\*\*) Term: **14 Years**

(21) Appl. No.: **29/219,899**

(22) Filed: **Dec. 27, 2004**

(51) **LOC (8) Cl.** ..... **06-13**

(52) **U.S. Cl.** ..... **D6/611**

(58) **Field of Classification Search** ..... D6/610, D6/611; D12/401, 415, 416, 422, 426; 297/219.1, 297/219.11, 219.12, 220, 224, 225, 228.1, 297/228.13, 229; D3/283, 290, 303, 319; 224/275, 543, 572

See application file for complete search history.

(56) **References Cited**

**U.S. PATENT DOCUMENTS**

D213,364 S	*	2/1969	Blalock	.....	D12/416
D293,162 S	*	12/1987	Carmichael	.....	D12/416
D309,227 S	*	7/1990	Popiolkowski	.....	D6/601
D316,649 S	*	5/1991	Swanner	.....	D6/611
D324,953 S	*	3/1992	Swanner	.....	D12/416
D354,728 S	*	1/1995	Shink	.....	D12/422
5,379,929 A		1/1995	Eskandry	.....	224/312
5,516,018 A		5/1996	Eskandry	.....	224/312
D373,101 S		8/1996	Eskandry	.....	D12/177
5,653,364 A		8/1997	Eskandry	.....	224/312
D389,115 S	*	1/1998	Alves et al.	.....	D12/416
D430,205 S		8/2000	Eskandry	.....	D19/33
D430,397 S		9/2000	Eskandry	.....	D3/290
D432,981 S		10/2000	Eskandry	.....	D12/417
D433,064 S		10/2000	Eskandry	.....	D19/78

D433,444 S		11/2000	Eskandry	.....	D19/27
D434,366 S		11/2000	Eskandry	.....	D12/417
D434,368 S		11/2000	Eskandry	.....	D12/417
D434,803 S		12/2000	Eskandry	.....	D19/78
D434,901 S		12/2000	Eskandry	.....	D3/284
D435,511 S		12/2000	Eskandry	.....	D12/417
D435,863 S		1/2001	Eskandry	.....	D19/27
D436,916 S		1/2001	Eskandry	.....	D12/417
D451,882 S	*	12/2001	Hassett et al.	.....	D12/416
D498,585 S	*	11/2004	Darling	.....	D12/416
D500,623 S	*	1/2005	Jones	.....	D6/611

\* cited by examiner

*Primary Examiner*—Louis S. Zarfaz

*Assistant Examiner*—Anhdao Doan

(74) *Attorney, Agent, or Firm*—Robert C. Kain, Jr.; Fleit Kain

(57) **CLAIM**

The ornamental design for a automobile seat cover for accessories, as shown and described.

**DESCRIPTION**

FIG. 1 is a top plan view of an automobile seat cover for accessories.

FIG. 2 is a bottom view of the automobile seat cover for accessories.

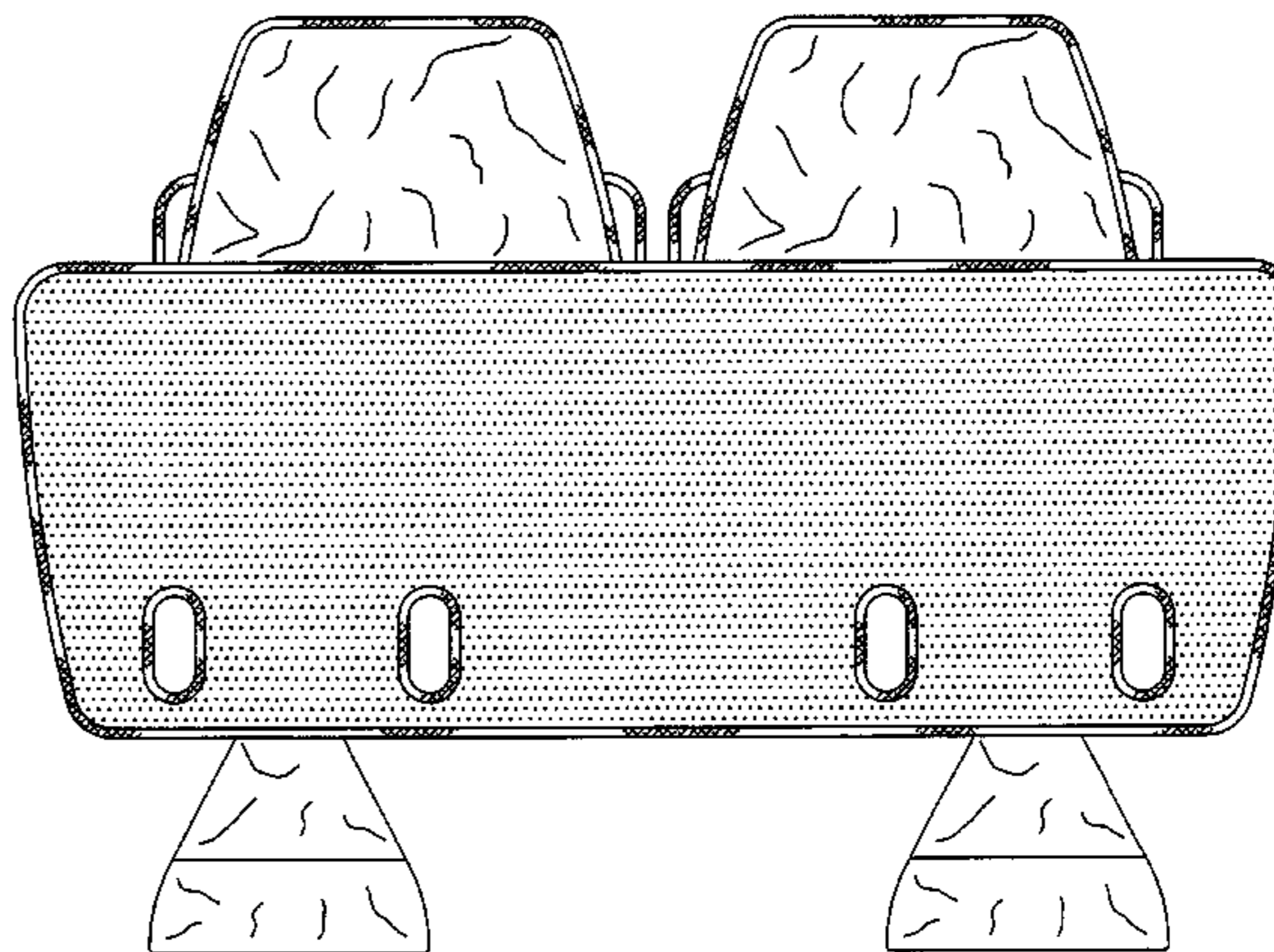
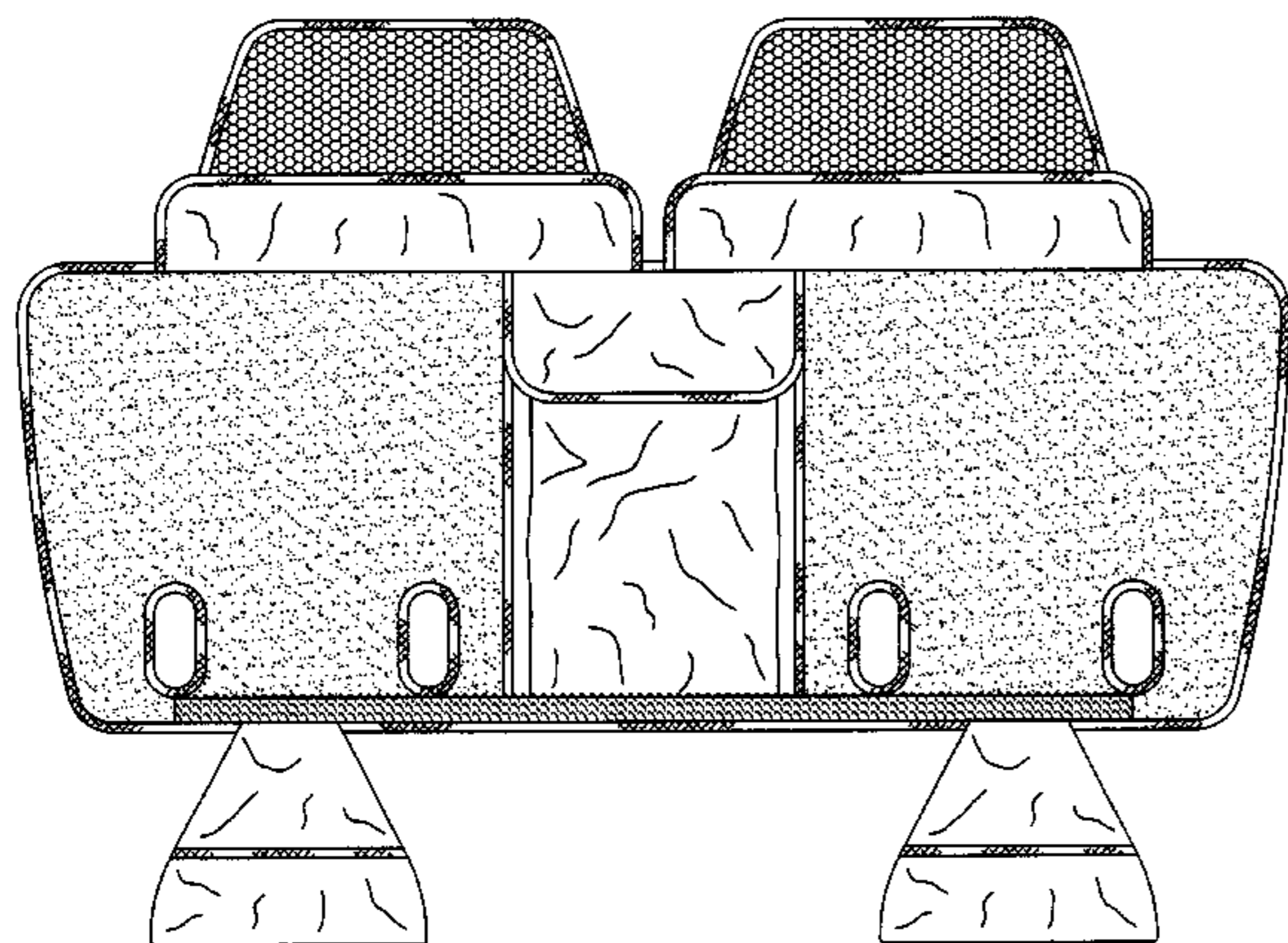
FIG. 3 is a left side view of the automobile seat protector, the right side view being a mirror image;

FIG. 4 is a top view of the automobile seat cover for accessories; and,

FIG. 5 is a bottom view of the automobile seat cover for accessories.

The cross-hatched shading shown in FIGS. 1 and 2 is understood to cover the surface on which it is applied.

**1 Claim, 3 Drawing Sheets**



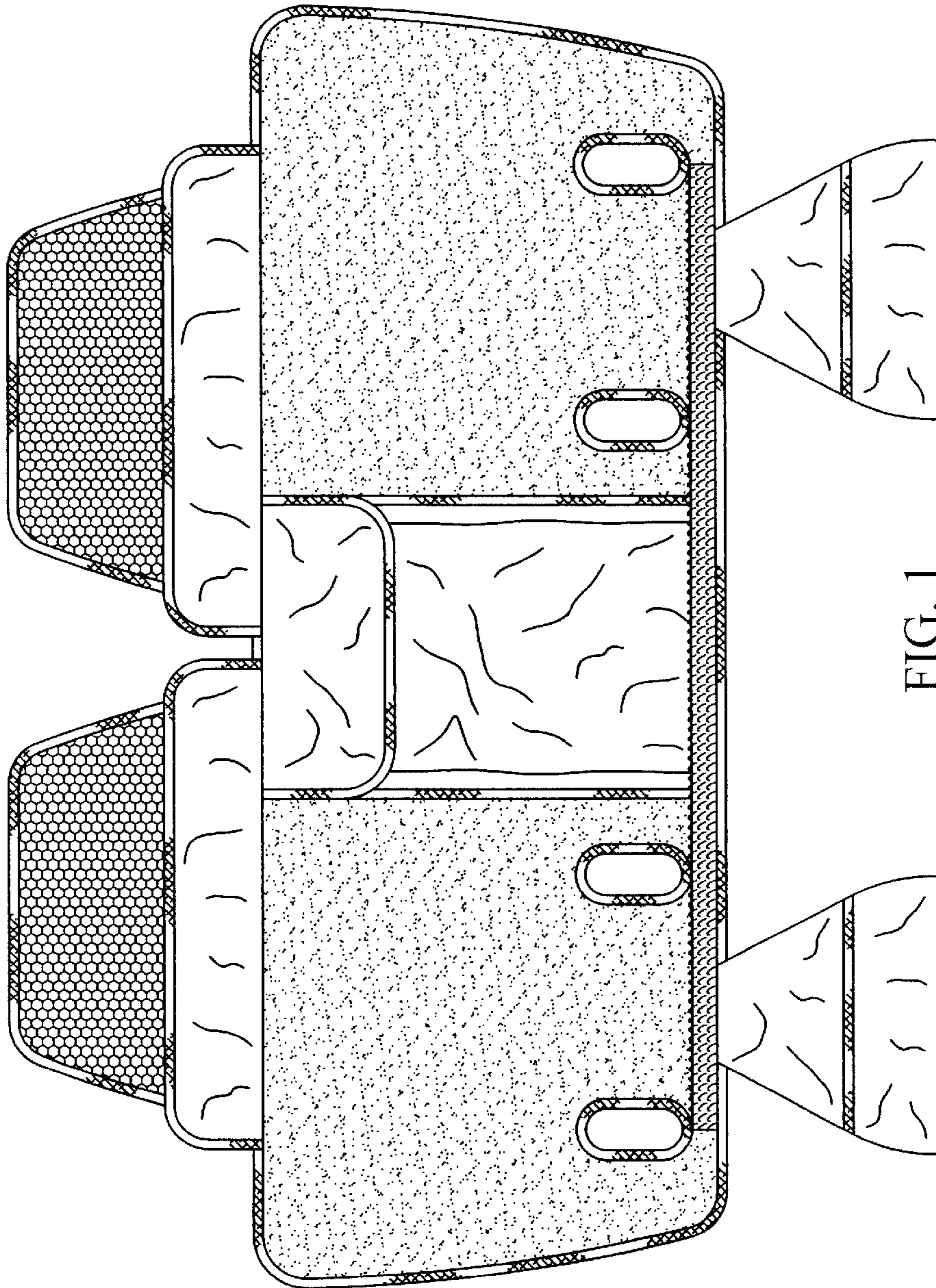


FIG. 1

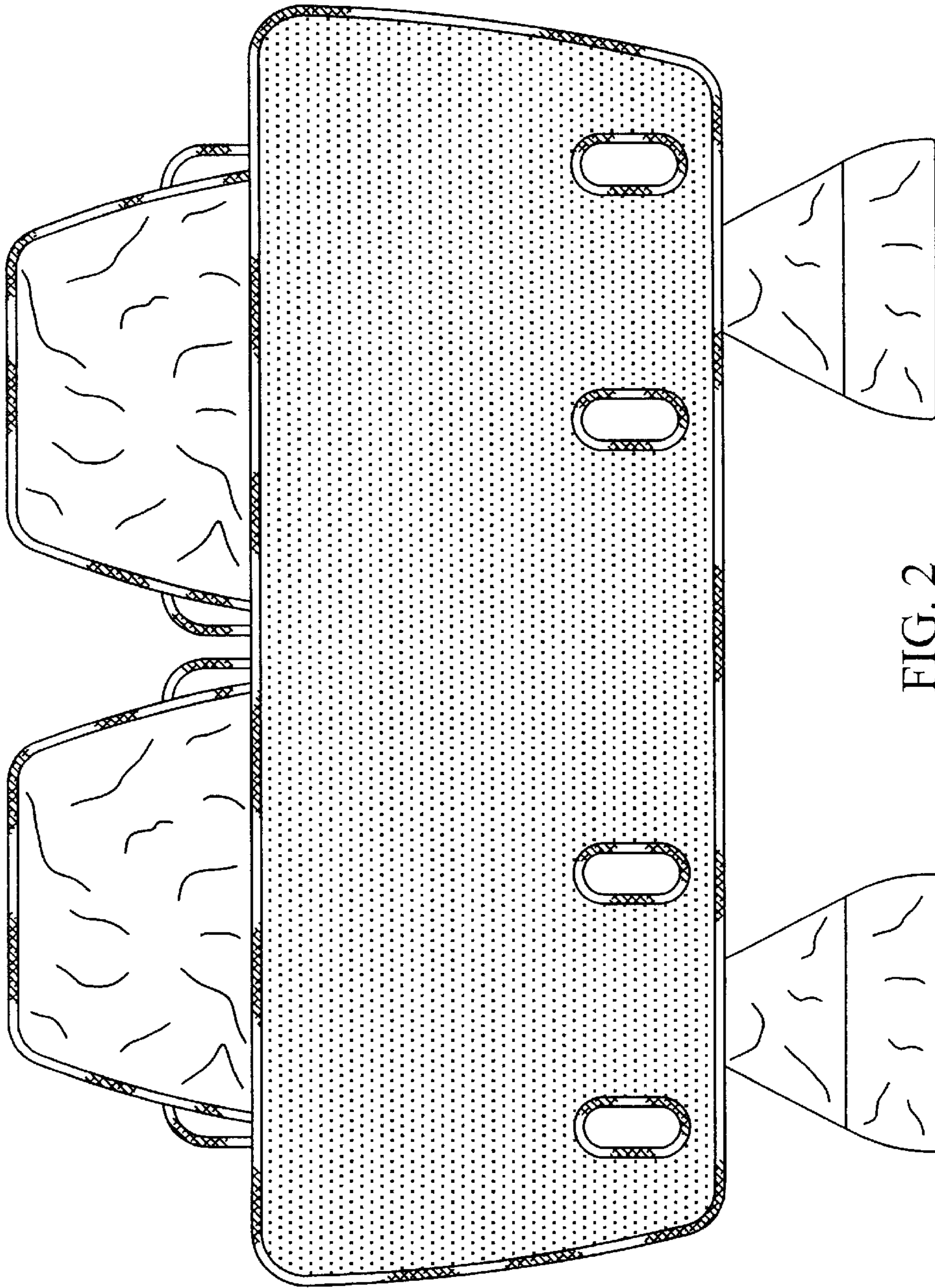


FIG. 2

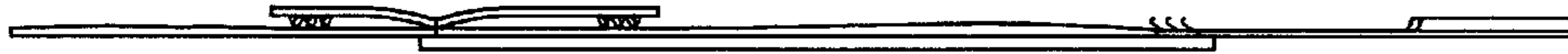


FIG. 3



FIG. 4



FIG. 5