



US00D537280S

(12) **United States Design Patent**
Cai

(10) **Patent No.:** **US D537,280 S**

(45) **Date of Patent:** **** Feb. 27, 2007**

(54) **CHAIR ARMREST SUPPORTER**

(75) Inventor: **Bo-Quan Cai**, Tainan Hsien (TW)

(73) Assignee: **Po-Chuan Tsai**, Rende Hsiang (TW)

(**) Term: **14 Years**

(21) Appl. No.: **29/230,088**

(22) Filed: **May 17, 2005**

(51) **LOC (8) Cl.** **06-01**

(52) **U.S. Cl.** **D6/501; D6/366**

(58) **Field of Classification Search** D6/334-336,
D6/364, 365, 366, 367, 379, 491, 500-502;
297/411.2, 411.27, 411.36, 411.37, 463.1
See application file for complete search history.

(56) **References Cited**

U.S. PATENT DOCUMENTS

D442,790 S	*	5/2001	Simons et al.	D6/366
D446,411 S	*	8/2001	Ho	D6/500
D461,076 S	*	8/2002	Lee	D6/501
6,572,194 B2	*	6/2003	True	297/411.2

D486,656 S	*	2/2004	Su	D6/366
D488,652 S	*	4/2004	Lee	D6/501
D492,520 S	*	7/2004	Ho	D6/501
D502,828 S	*	3/2005	Lin	D6/501

* cited by examiner

Primary Examiner—Mimosa De

(74) *Attorney, Agent, or Firm*—Alan D. Kamrath; Nikolai & Mersereau, P.A.

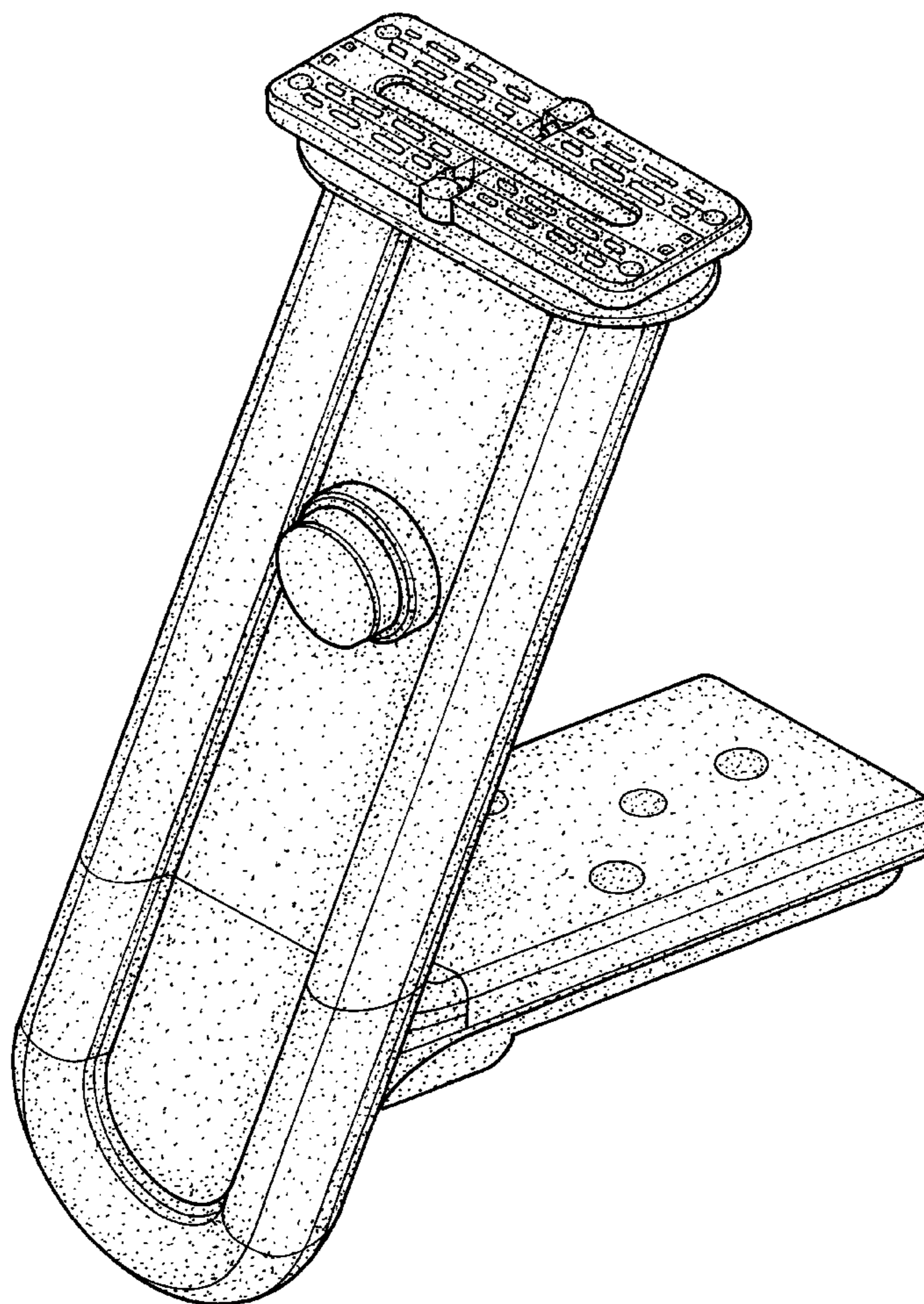
(57) **CLAIM**

The ornamental design for a chair armrest supporter, as shown and described.

DESCRIPTION

FIG. 1 is a perspective view of a chair armrest supporter showing my design;
FIG. 2 is a reduced front elevational view thereof;
FIG. 3 is a reduced rear elevational view thereof;
FIG. 4 is a reduced left side elevational view thereof;
FIG. 5 is a reduced right side elevational view thereof;
FIG. 6 is a reduced top plan view thereof; and,
FIG. 7 is a reduced bottom plan view thereof.

1 Claim, 4 Drawing Sheets



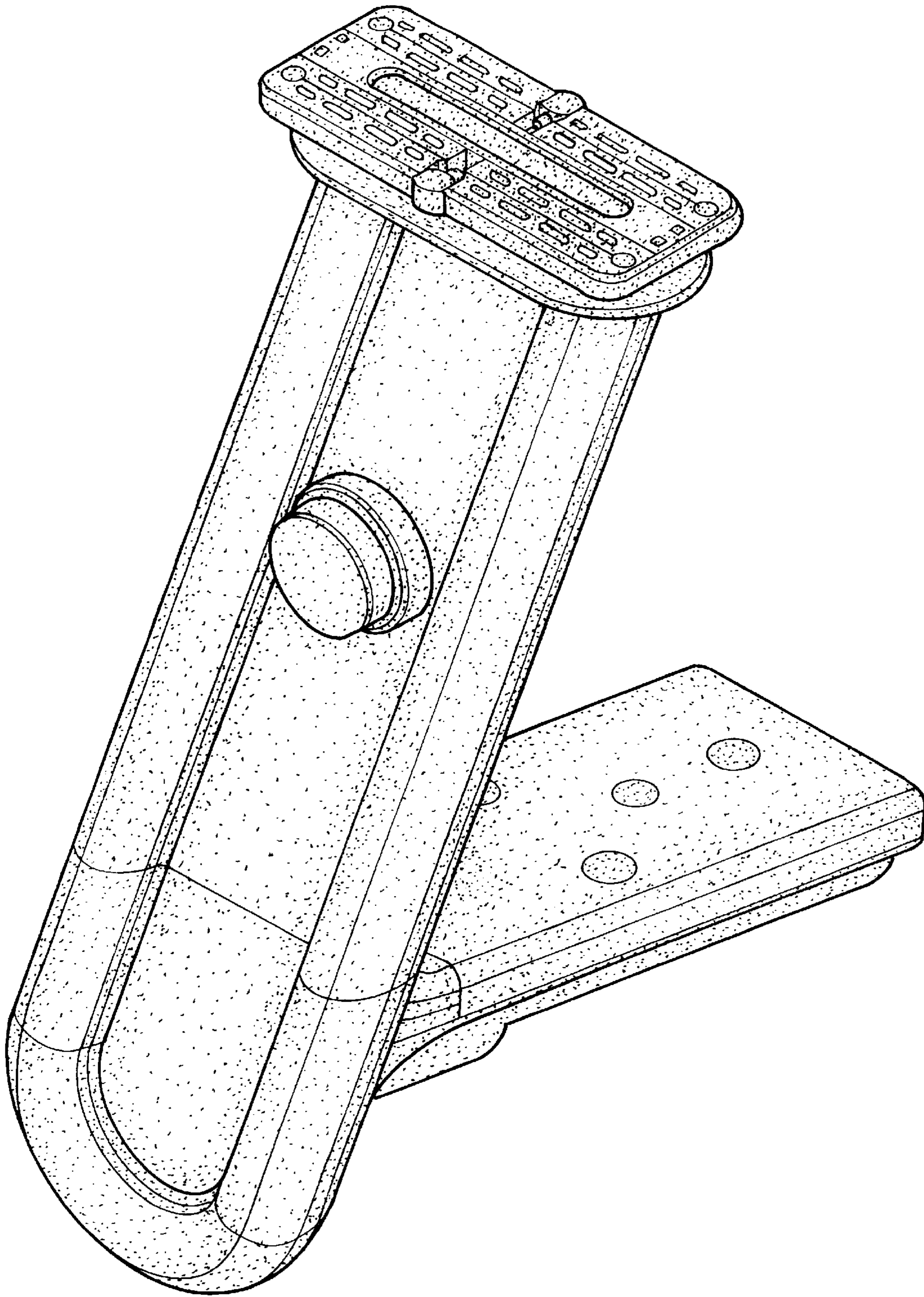


FIG. 1

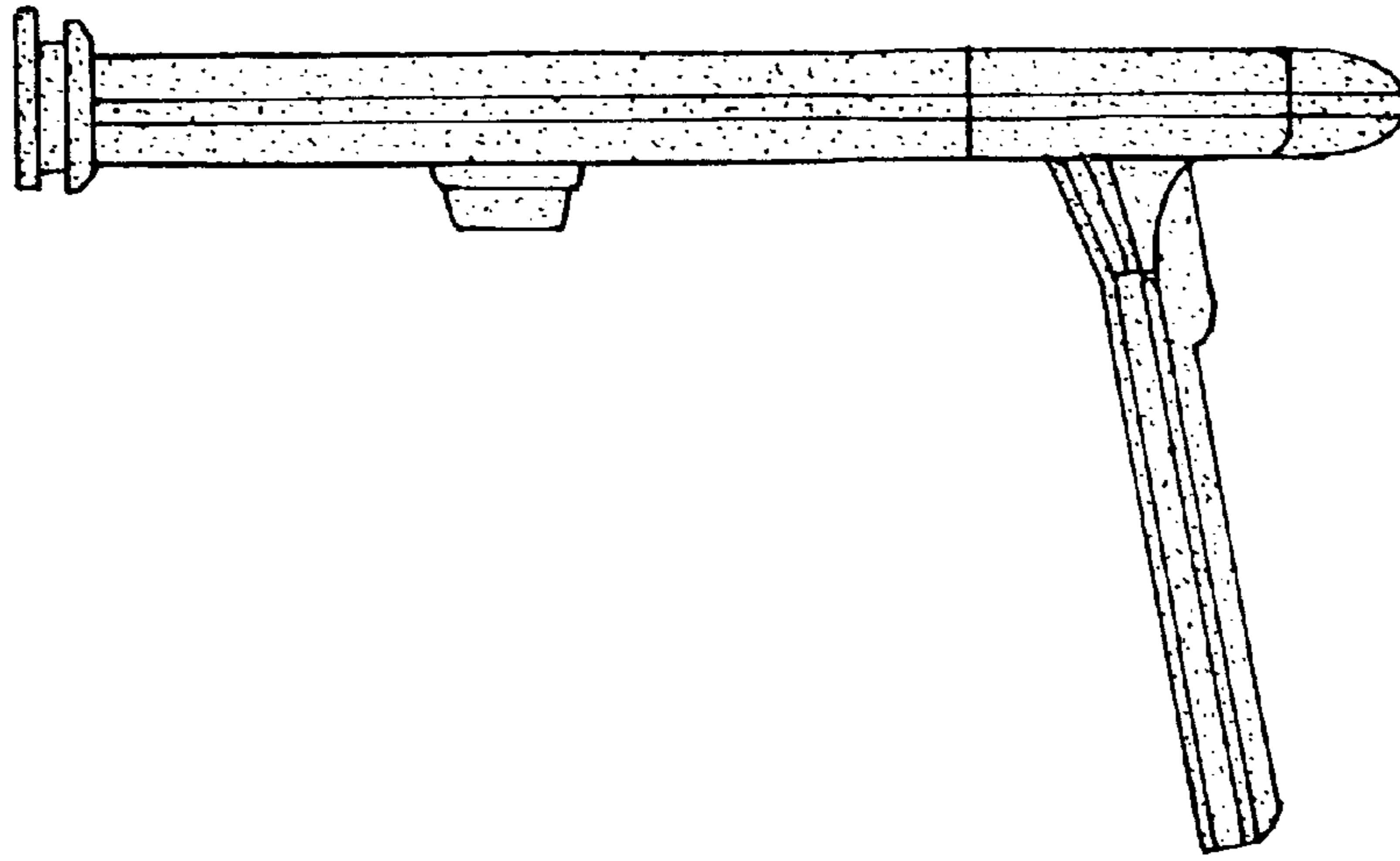


FIG. 3

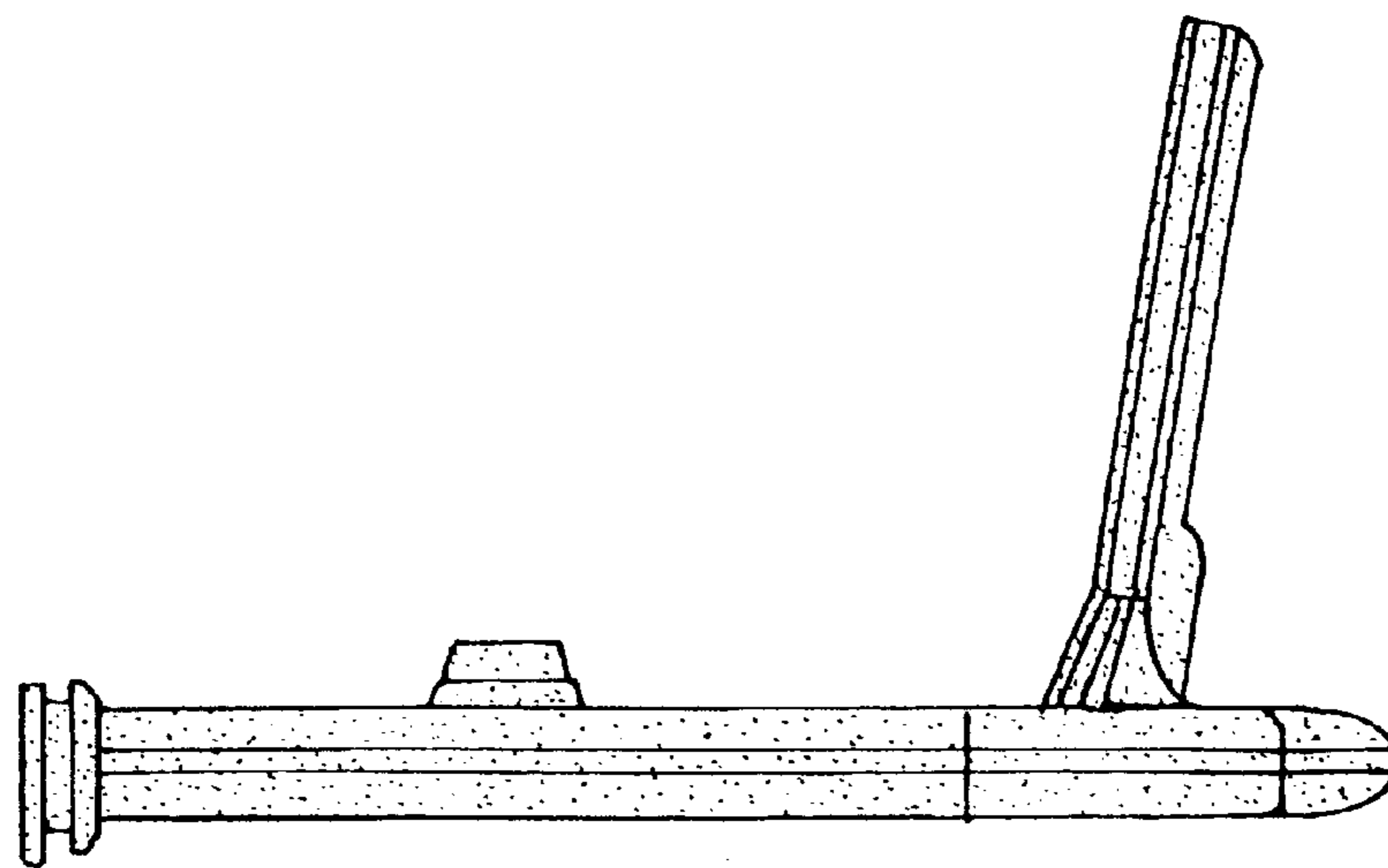


FIG. 2

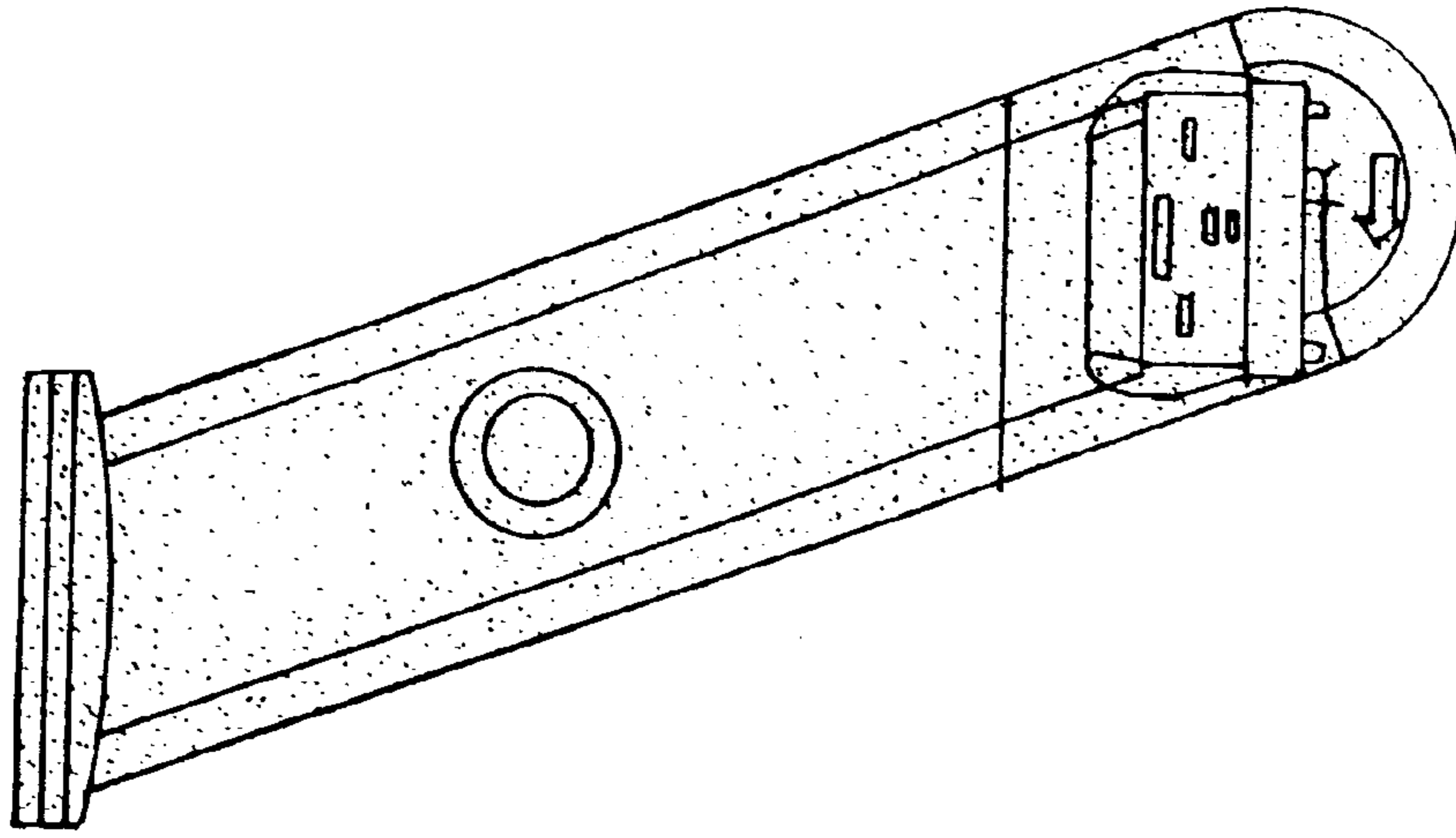


FIG. 5

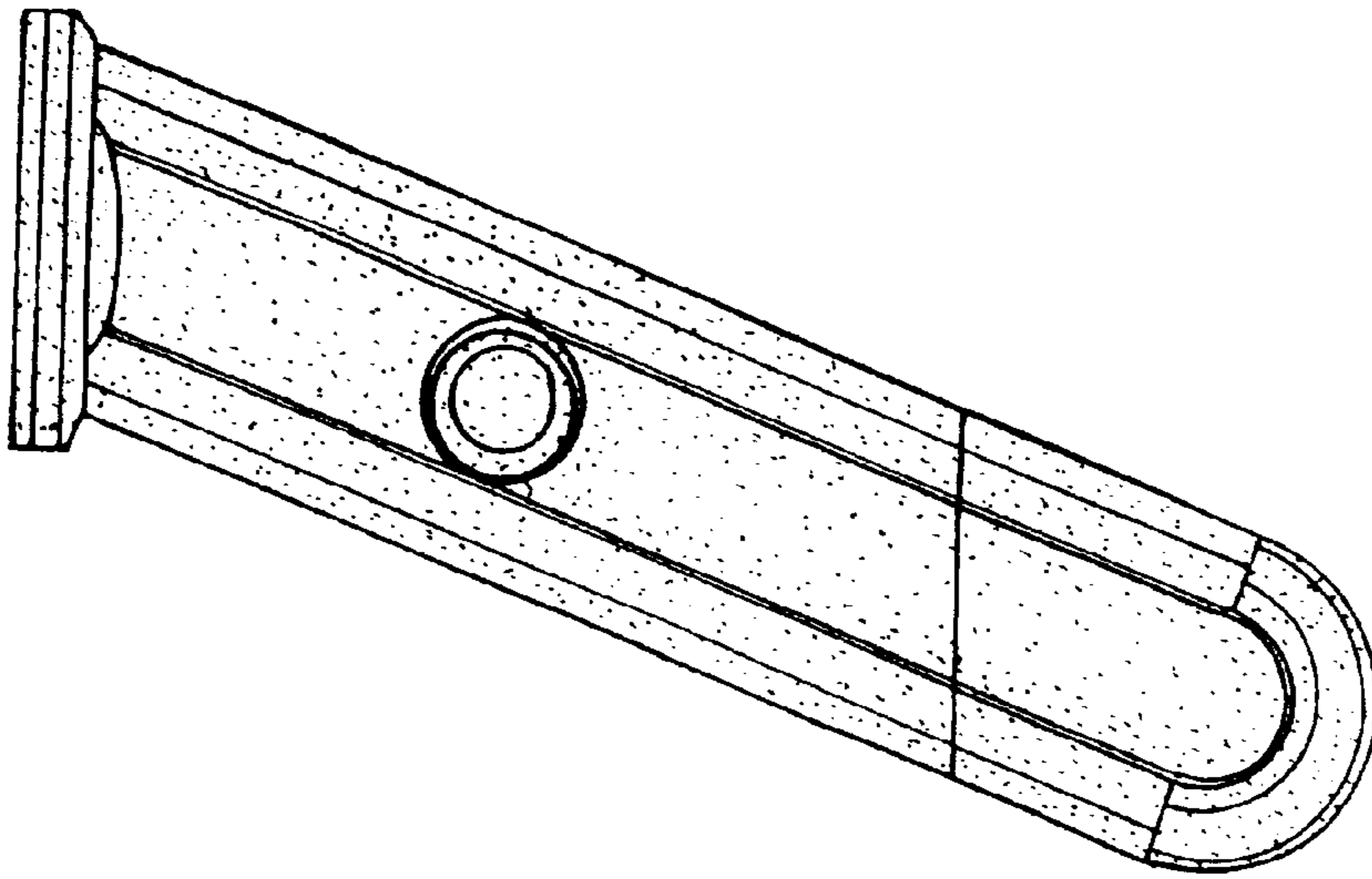


FIG. 4

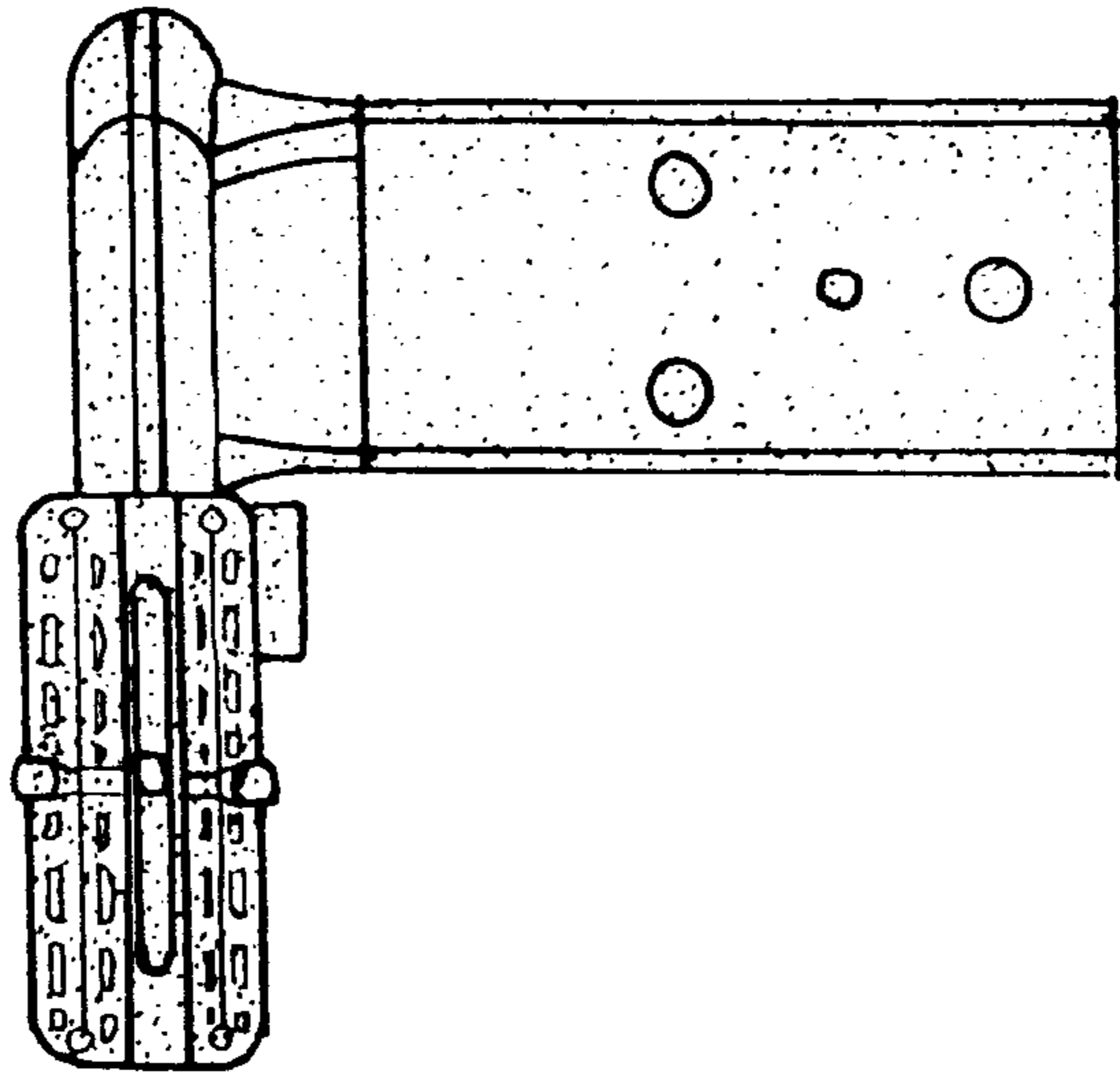


FIG. 6

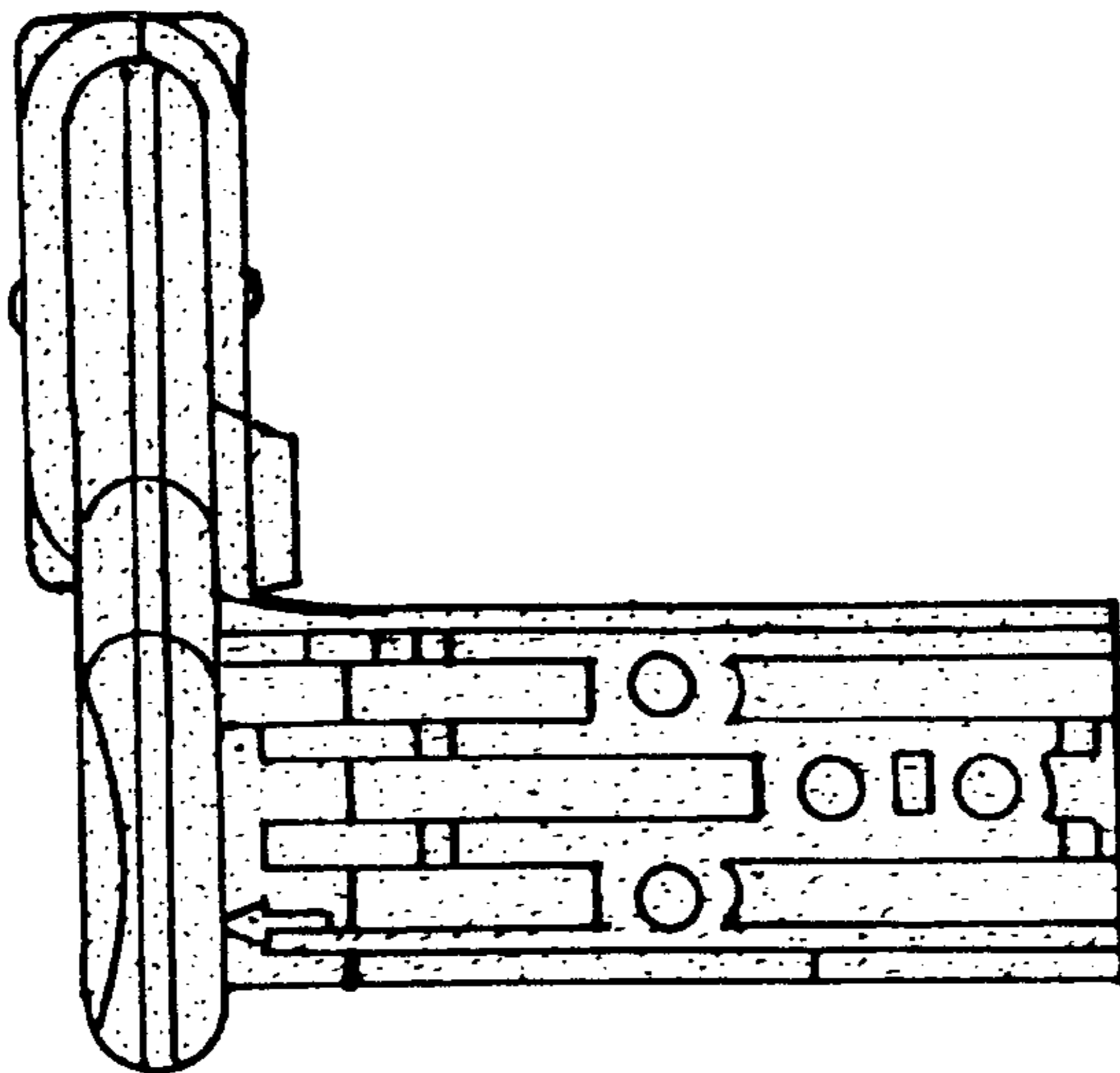


FIG. 7