



US00D537272S

(12) **United States Design Patent**
Zungri

(10) **Patent No.:** **US D537,272 S**

(45) **Date of Patent:** **** Feb. 27, 2007**

(54) **COMBINED TRAY AND TABLE**

D521,570 S * 5/2006 Tsai D21/397

(76) Inventor: **Walter Claudio Zungri**, 701 Calle
Paolo Colorado, Santa Barbara, CA
(US) 93105

* cited by examiner

Primary Examiner—Ian Simmons
Assistant Examiner—Charles Hanson

(**) Term: **14 Years**

(57) **CLAIM**

(21) Appl. No.: **29/245,739**

The ornamental design for a combined tray and table, as shown and described.

(22) Filed: **Dec. 29, 2005**

DESCRIPTION

(51) **LOC (8) Cl.** **06-03**

(52) **U.S. Cl.** **D6/451**; D6/397; D6/406.5

(58) **Field of Classification Search** D6/406.5,
D6/397, 426, 440, 442, 451, 489, 510, 511,
D6/512, 449, 455–459, 461; D7/552.1, 522.2,
D7/554.1, 544.4, 566, 388; 211/133.1

See application file for complete search history.

FIG. 1 is a top perspective view of a combined tray and table showing my new design;

FIG. 2 is a top plan view thereof.

FIG. 3 is a bottom plan view thereof.

FIG. 4 is a front elevation view thereof.

FIG. 5 is a left side elevation view thereof.

FIG. 6 is a rear elevation view thereof.

FIG. 7 is a right side elevation view thereof.

FIG. 8 is a side elevation view thereof taken along line 8—8 in FIG. 2; and,

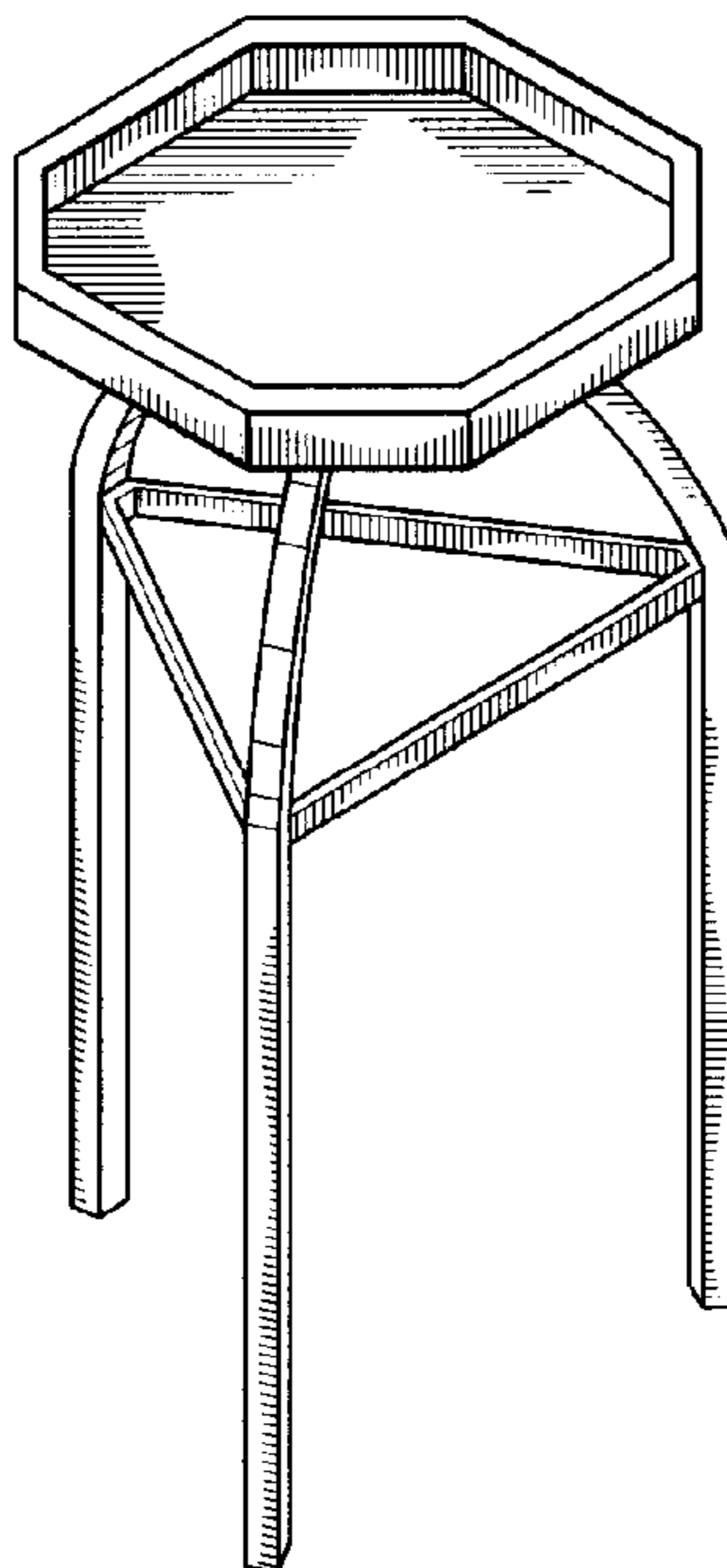
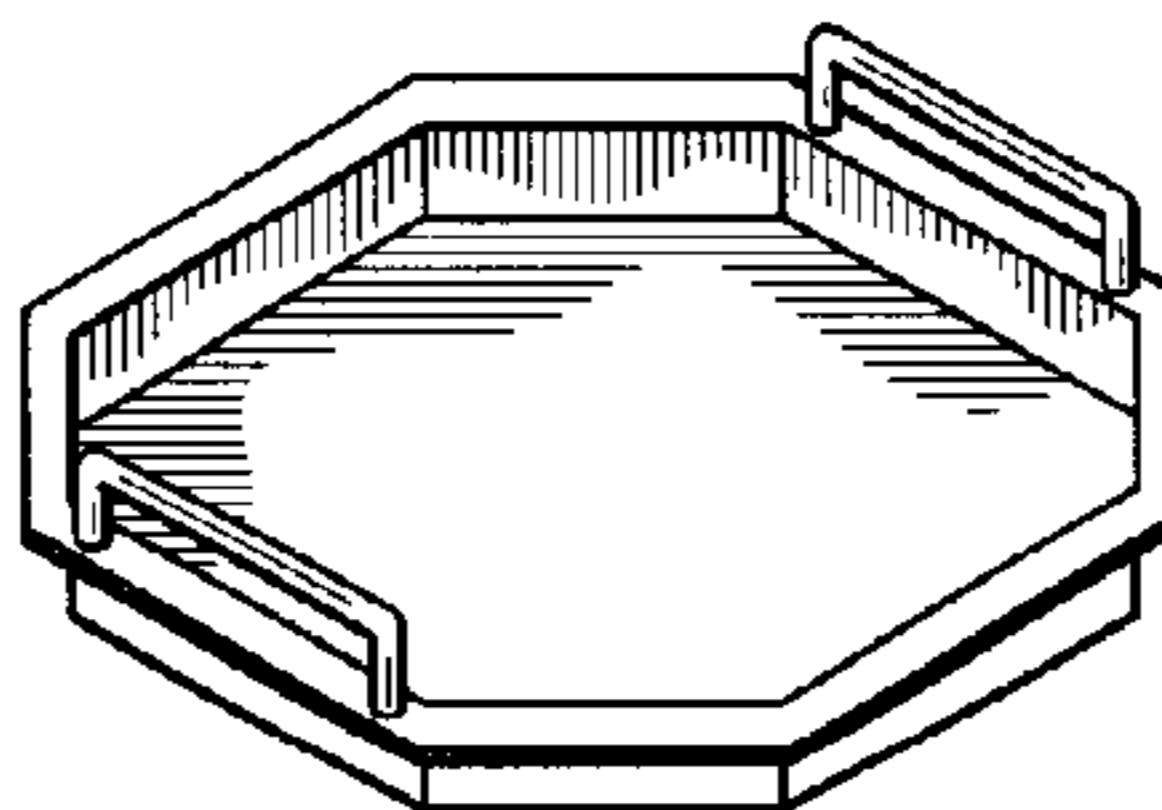
FIG. 9 is another top perspective view thereof showing the design in an exploded condition.

(56) **References Cited**

U.S. PATENT DOCUMENTS

- D231,814 S * 6/1974 Weaver D6/442
- D316,639 S * 5/1991 Adler D6/429
- D357,370 S * 4/1995 Watts D6/406.5
- D380,937 S * 7/1997 Beckerman et al. D7/554.1

1 Claim, 2 Drawing Sheets



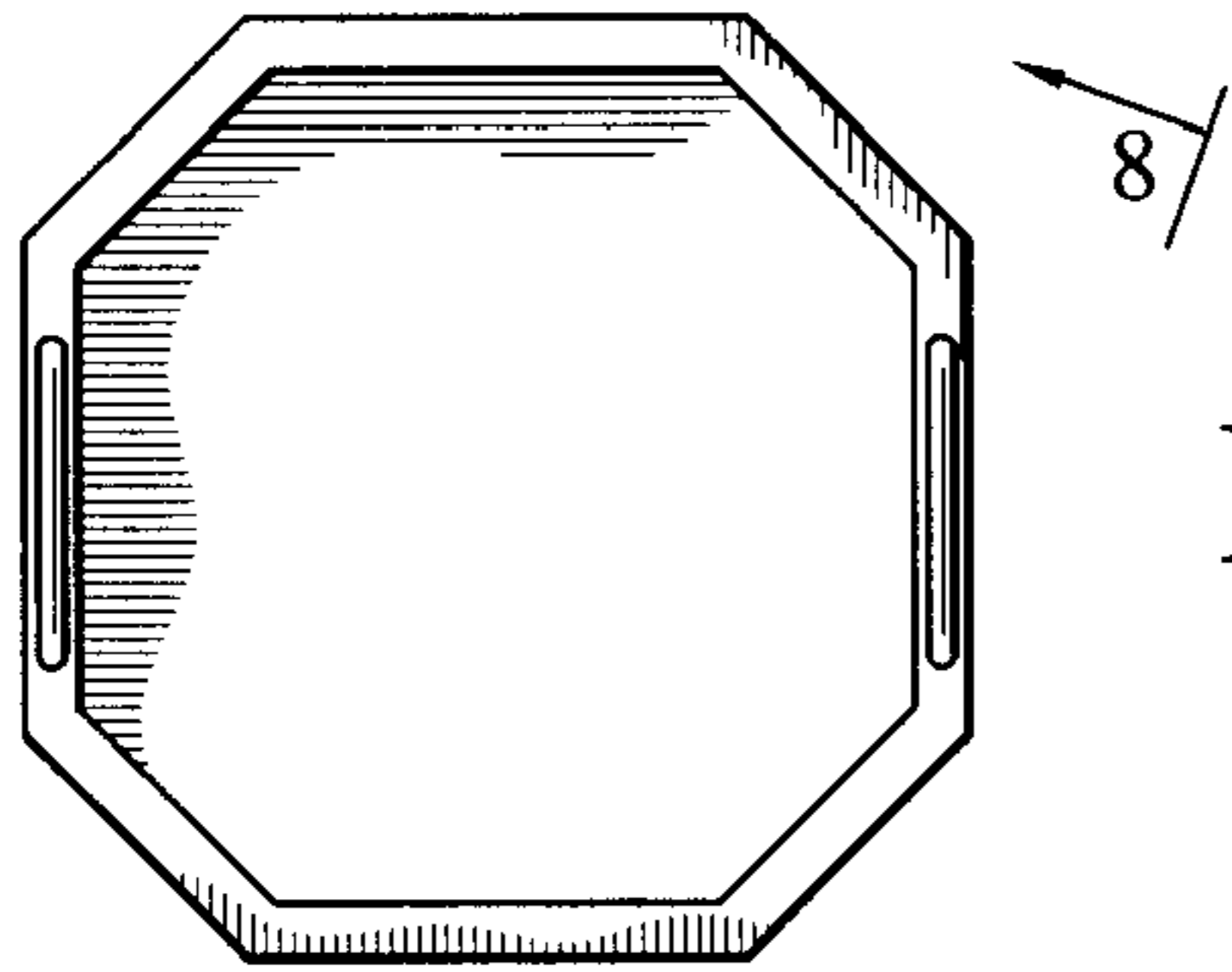


FIG. 2

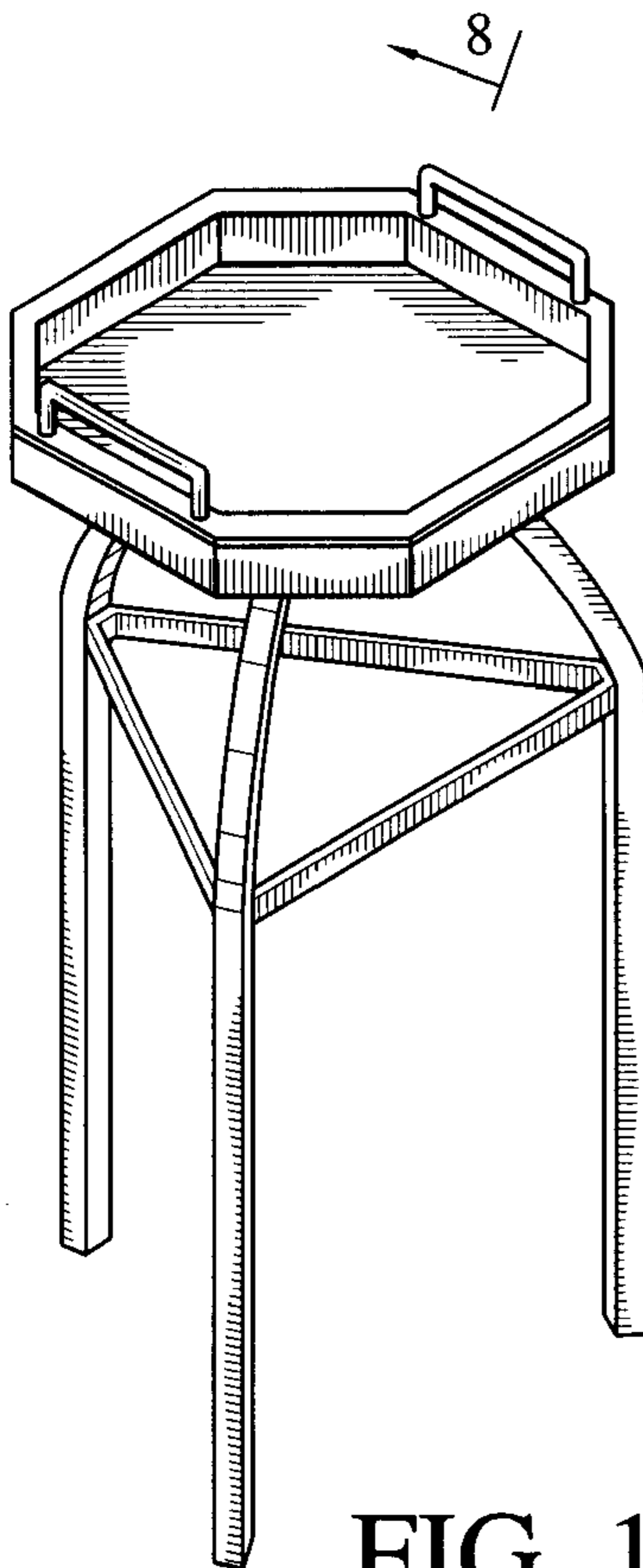


FIG. 1

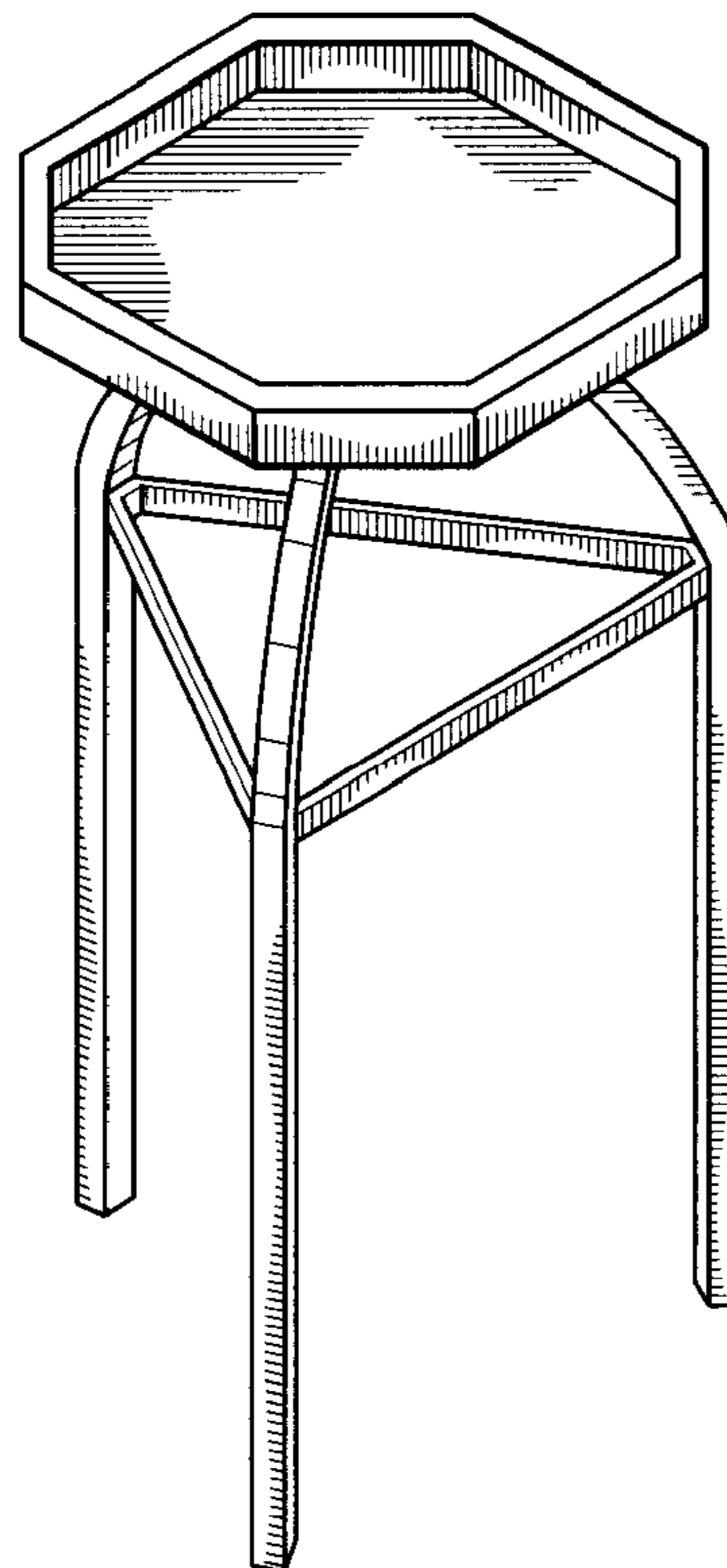
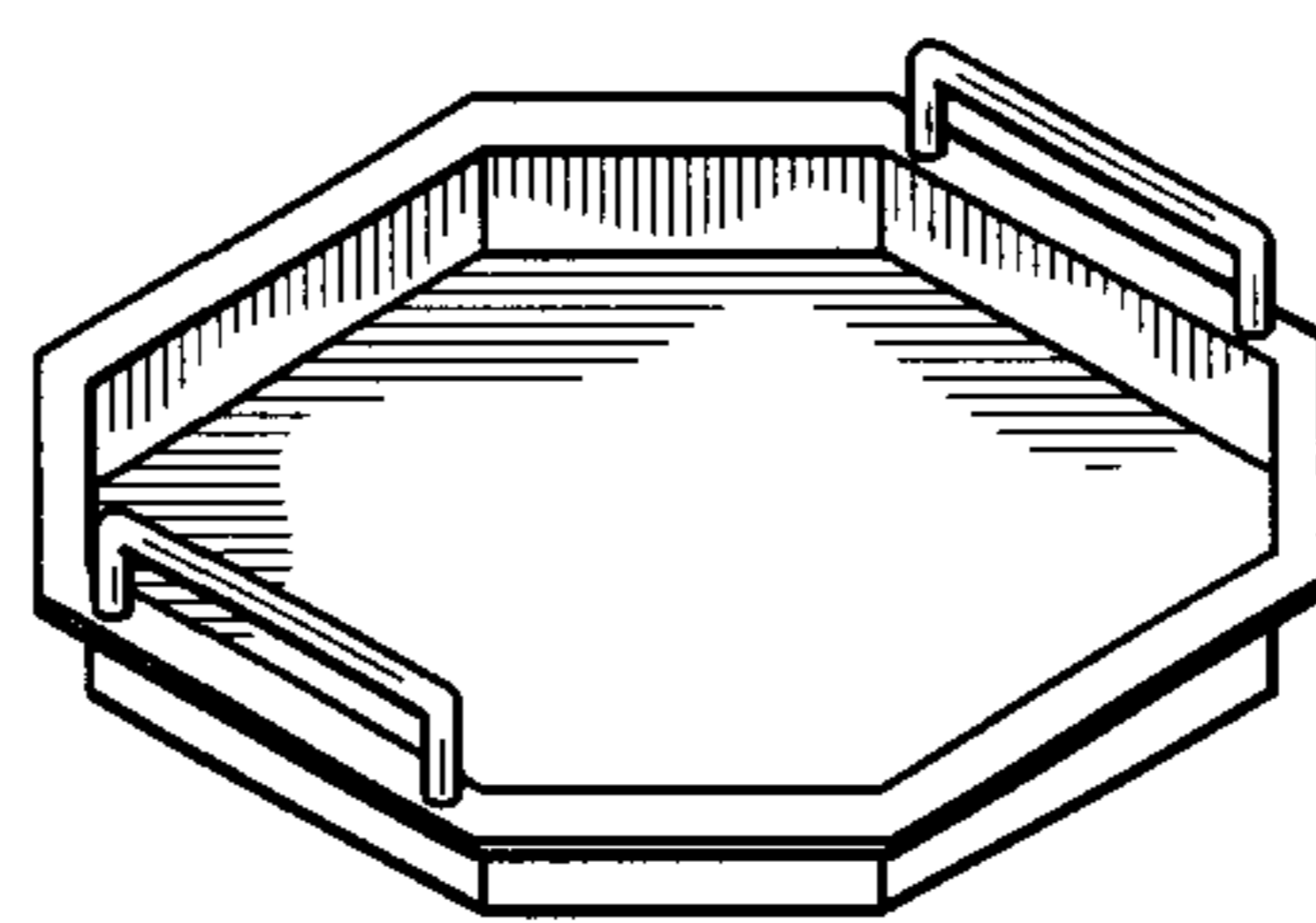


FIG. 9

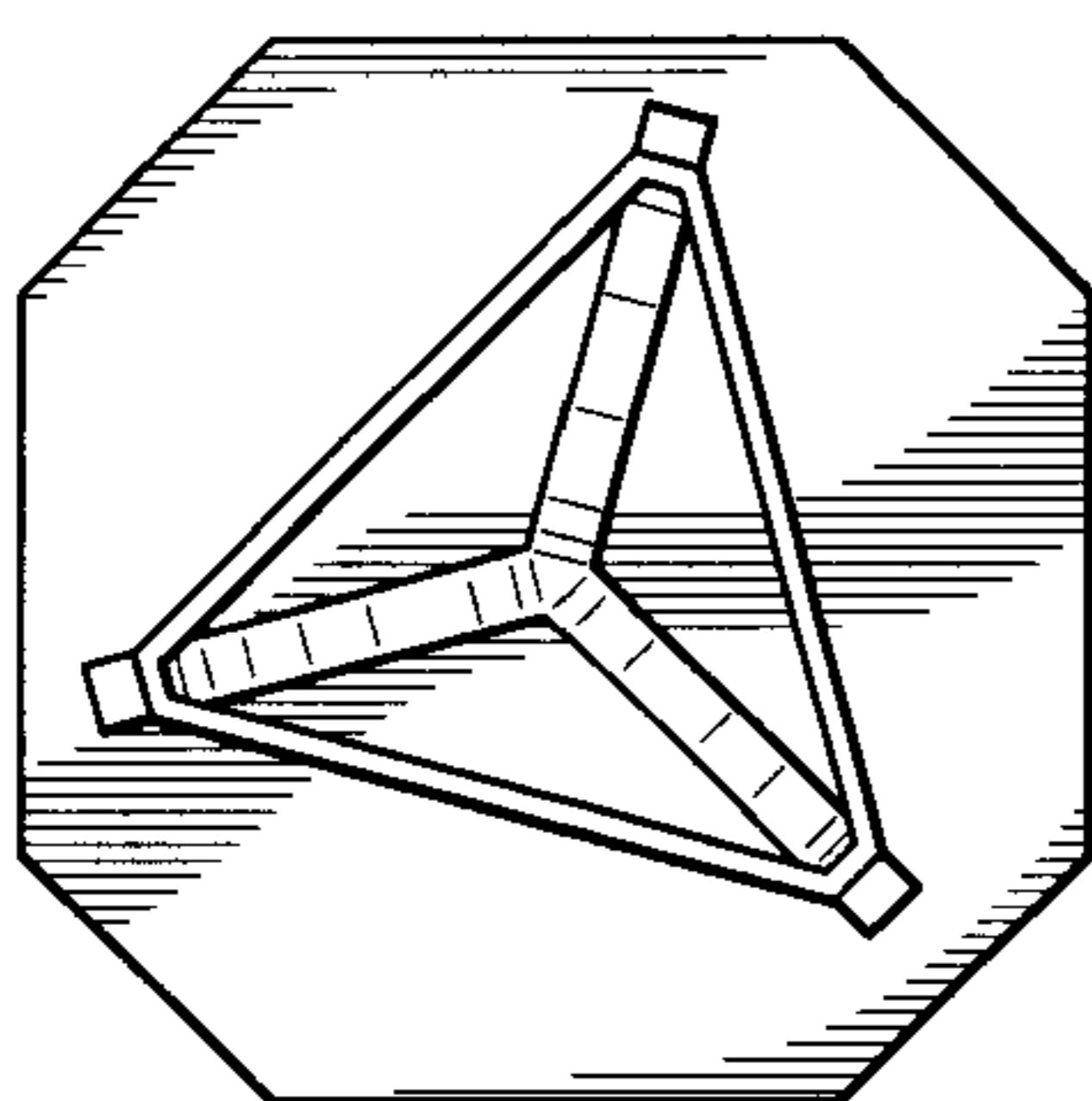


FIG. 3

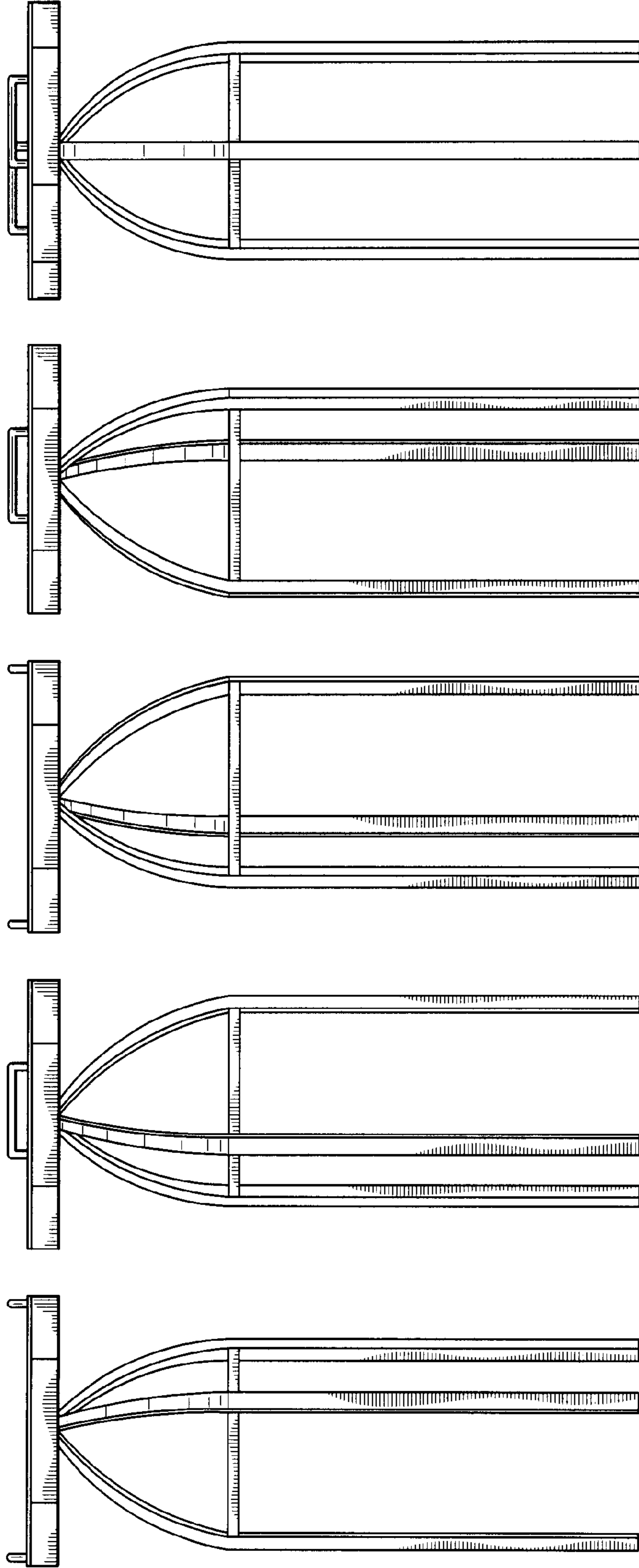


FIG. 8

FIG. 7

FIG. 6

FIG. 5

FIG. 4