



US00D537266S

(12) **United States Design Patent**
Ward

(10) **Patent No.:** **US D537,266 S**

(45) **Date of Patent:** **** Feb. 27, 2007**

(54) **HANGER-SUPPORTING STORAGE RACK**

(76) Inventor: **Robert C. Ward**, 914 W. Elm Ct.,
Oxnard, CA (US) 93033

(**) Term: **14 Years**

(21) Appl. No.: **29/225,765**

(22) Filed: **Mar. 21, 2005**

(51) **LOC (8) Cl.** **06-04**

(52) **U.S. Cl.** **D6/411**

(58) **Field of Classification Search** D6/411,
D6/410, 413, 415, 332, 476, 468, 467; 211/204–206,
211/85.3, 123, 189, 182, 207, 196
See application file for complete search history.

(56) **References Cited**

U.S. PATENT DOCUMENTS

1,372,580	A	*	3/1921	Wells	211/206
1,409,228	A	*	3/1922	Marshall	211/125
2,438,324	A	*	3/1948	Pfeffer	211/206
D149,816	S	*	6/1948	Velow	D6/411
2,533,324	A	*	12/1950	Mendle	211/206
D162,908	S	*	4/1951	Volk	D6/410
2,572,928	A	*	10/1951	Hawes	182/182.2
D199,570	S	*	11/1964	Van Dusen	D6/411
3,863,769	A	*	2/1975	Goddard	211/182
4,054,209	A		10/1977	Solomon		
4,467,926	A		8/1984	Percival		
4,765,493	A		8/1988	Kinney		
4,934,015	A	*	6/1990	Mink	15/268
5,295,591	A		3/1994	Slater		

D346,081	S	*	4/1994	Turner	D6/465
5,535,898	A	*	7/1996	Burgess et al.	211/206
5,617,962	A	*	4/1997	Chen	211/206
5,718,344	A	*	2/1998	Joldeson et al.	211/206
5,743,412	A		4/1998	Noble		
5,894,945	A	*	4/1999	Curran	211/162
D466,331	S	*	12/2002	Chang	D6/411
D470,685	S		2/2003	Chang		
6,523,707	B2	*	2/2003	Liu	211/206
D486,008	S		2/2004	Pospisil et al.		
D487,124	S	*	2/2004	Toniolo	D21/691
6,796,446	B2	*	9/2004	Segall et al.	211/206
2002/0079277	A1	*	6/2002	Huang	211/206
2004/0129661	A1	*	7/2004	Segall et al.	211/206
2005/0127018	A1	*	6/2005	Sung	211/206
2006/0065615	A1	*	3/2006	Wang	211/206

* cited by examiner

Primary Examiner—Caron D. Veynar
Assistant Examiner—Sydney R. Buffalow

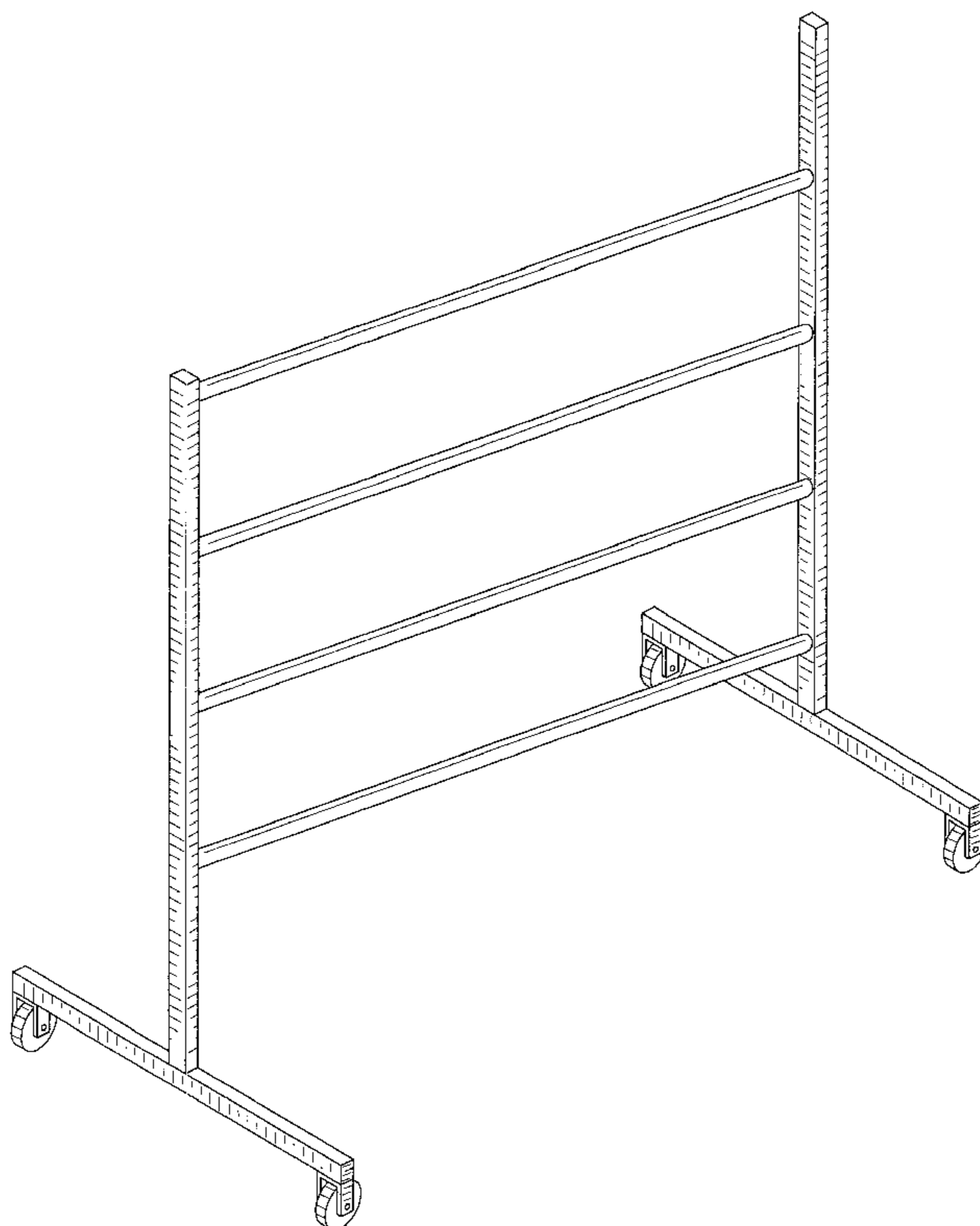
(57) **CLAIM**

The ornamental design for a hanger-supporting storage rack,
as shown.

DESCRIPTION

FIG. 1 is a side elevational view of a hanger-supporting storage rack showing my new design; FIG. 2 is a front elevational view thereof; FIG. 3 is a top plan view thereof; FIG. 4 is a bottom plan view thereof; and, FIG. 5 is a perspective view thereof.

1 Claim, 3 Drawing Sheets



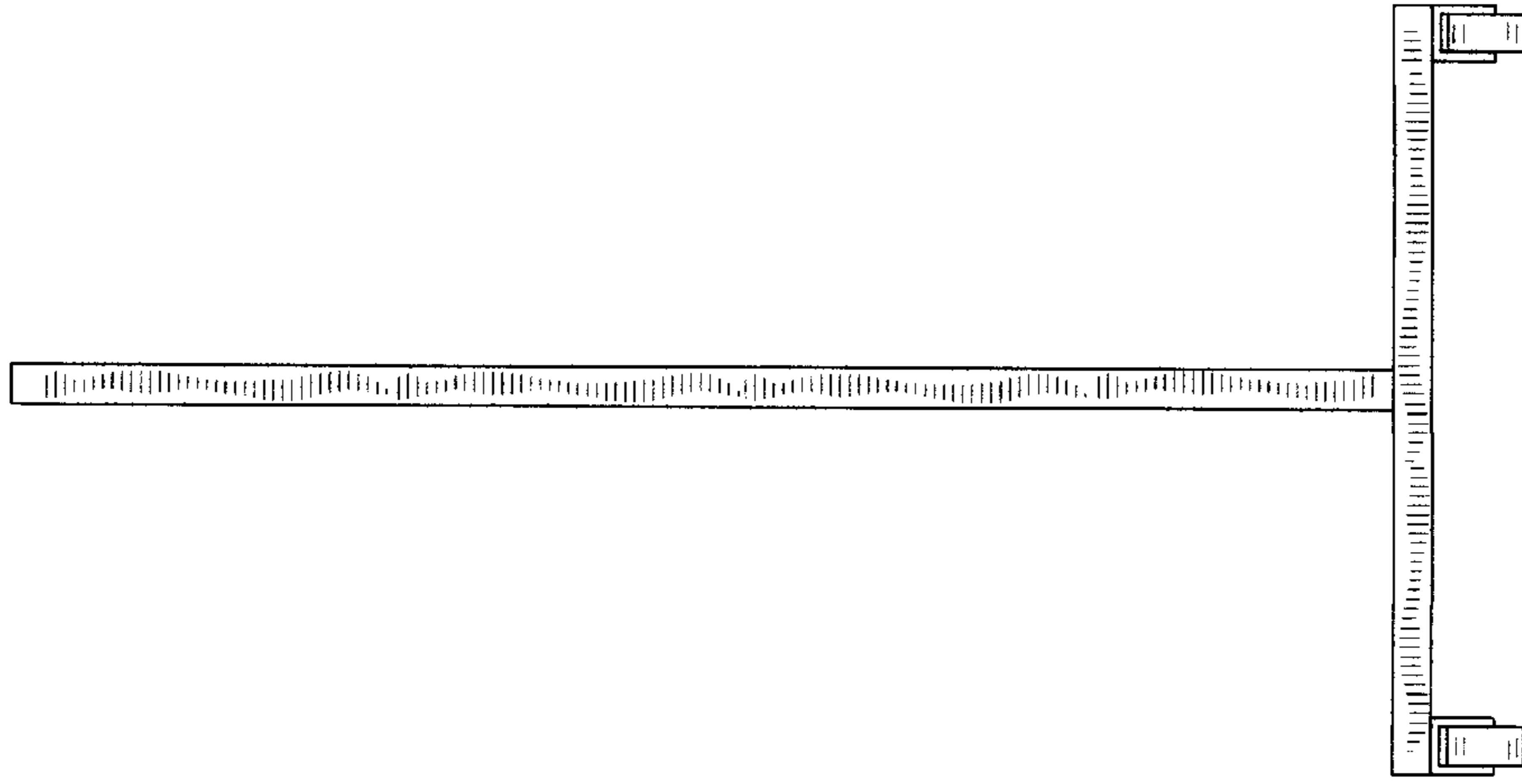


FIG. 2

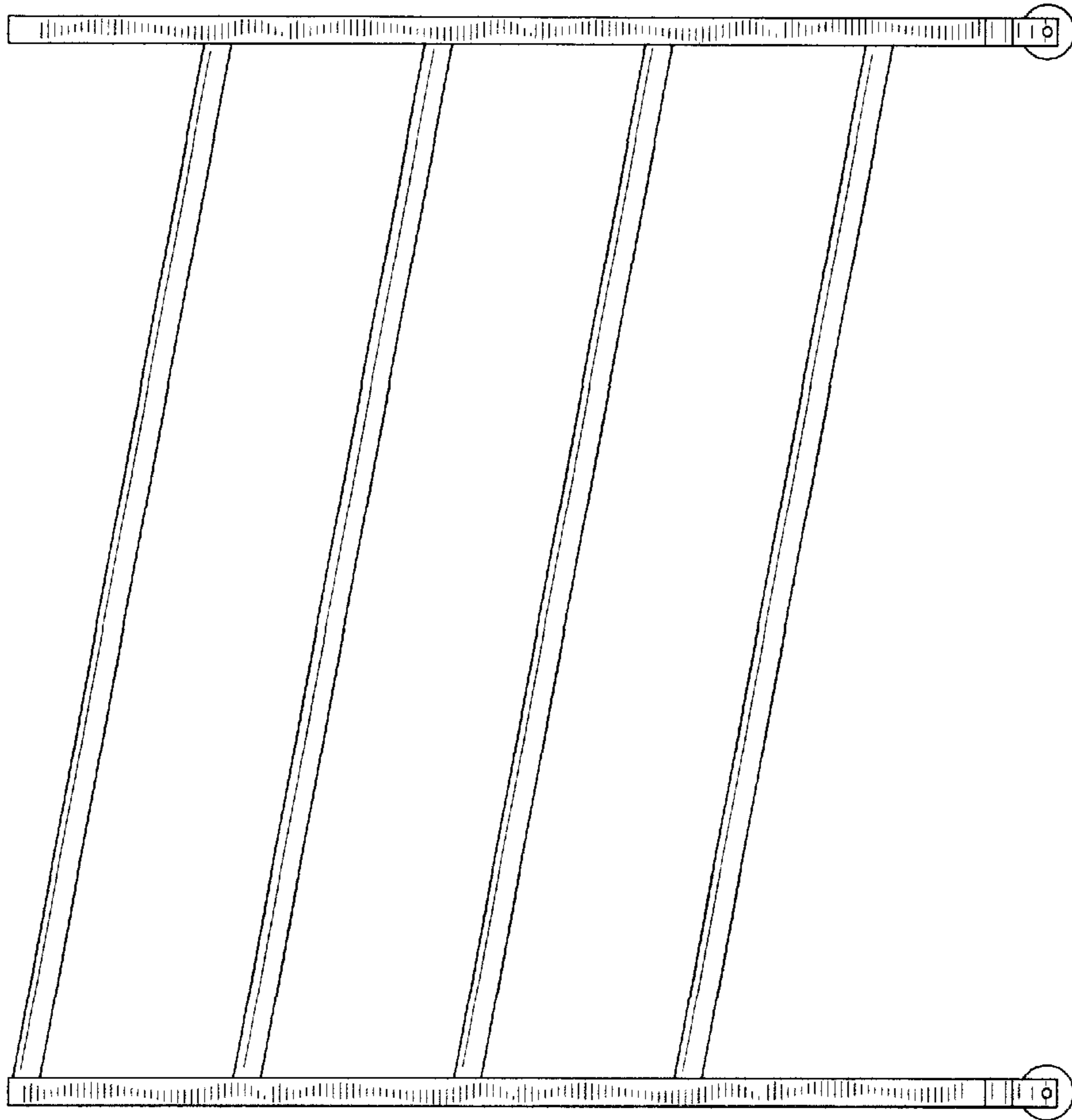


FIG. 1

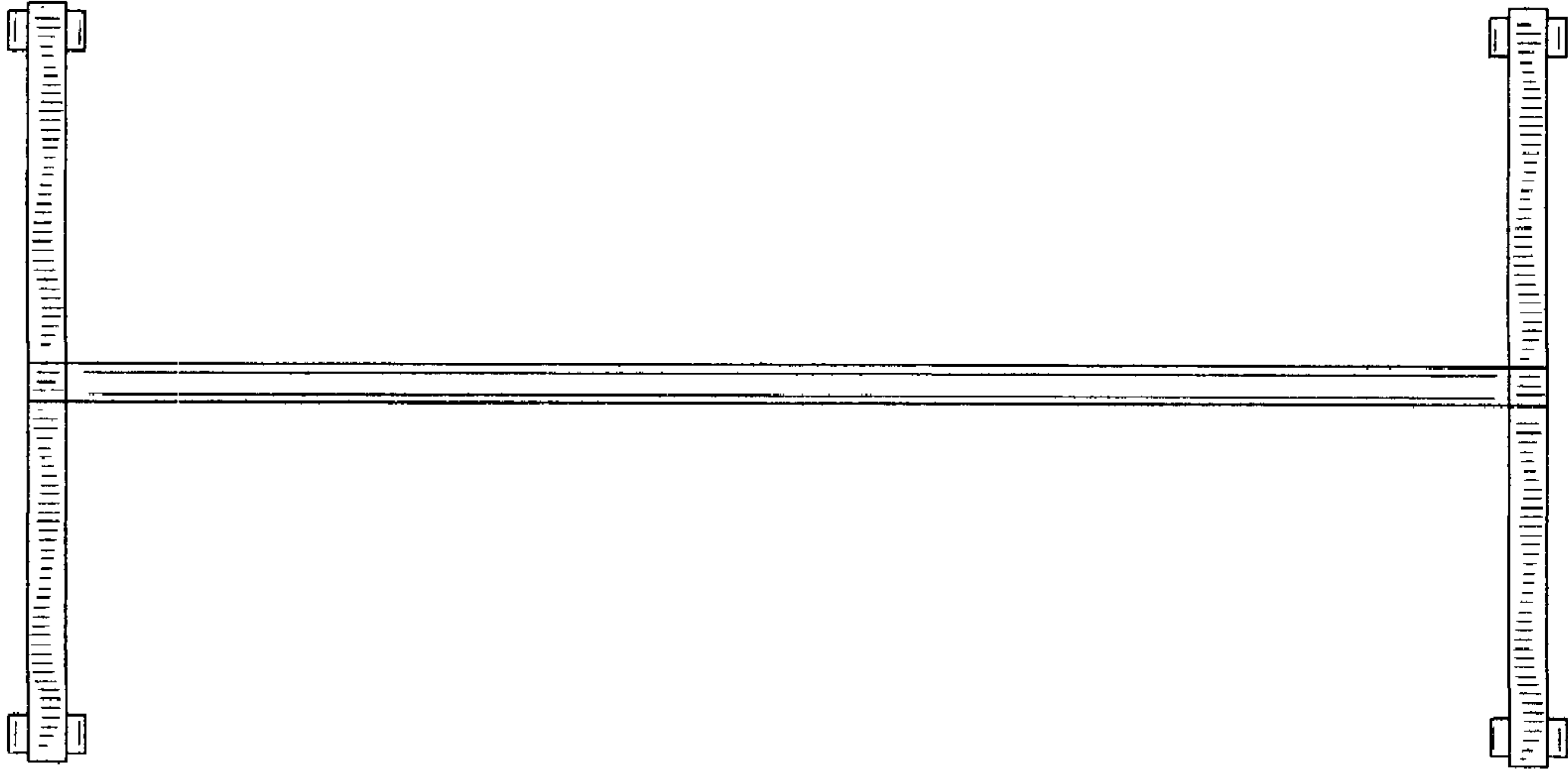


FIG. 3

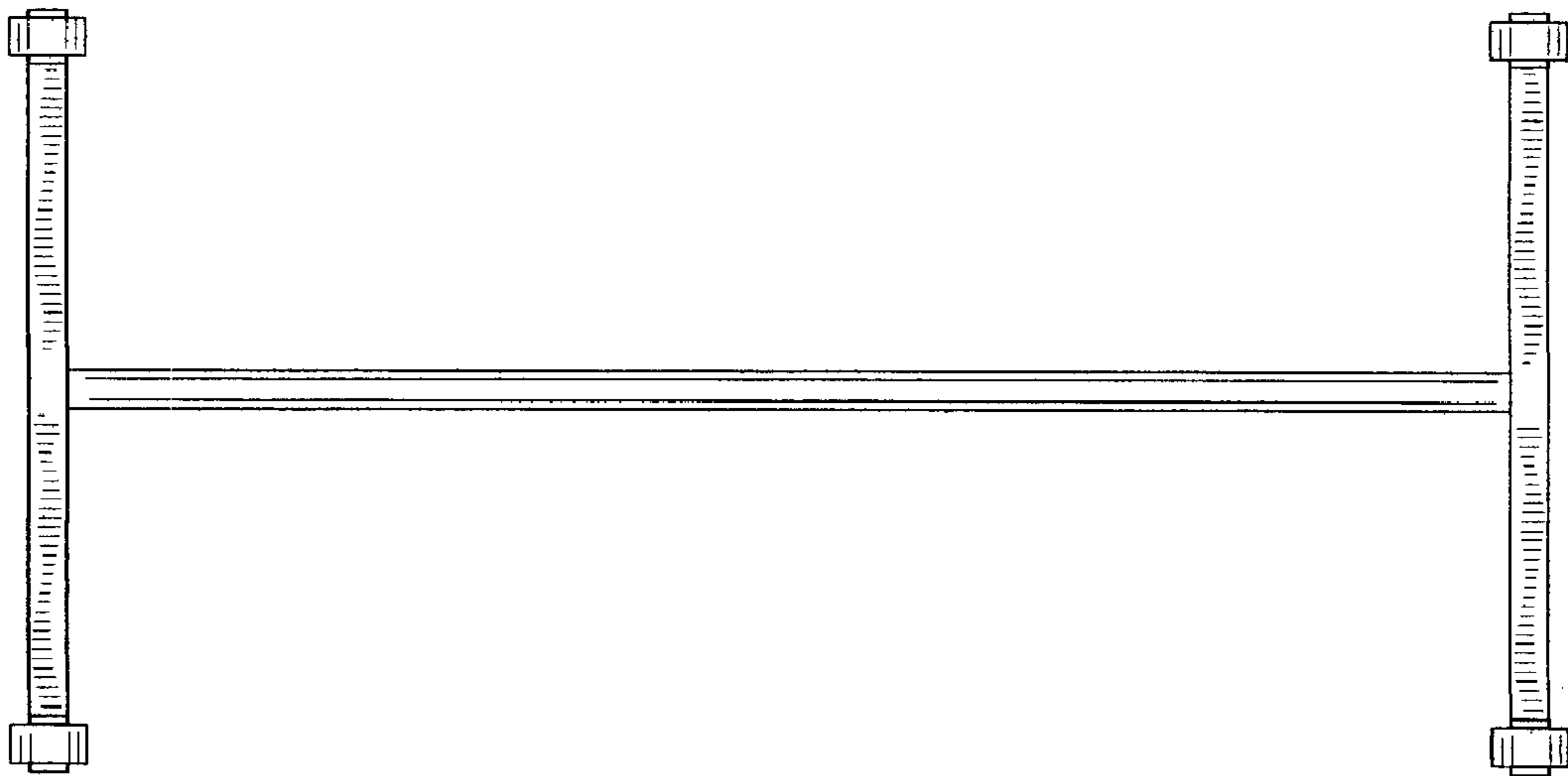


FIG. 4

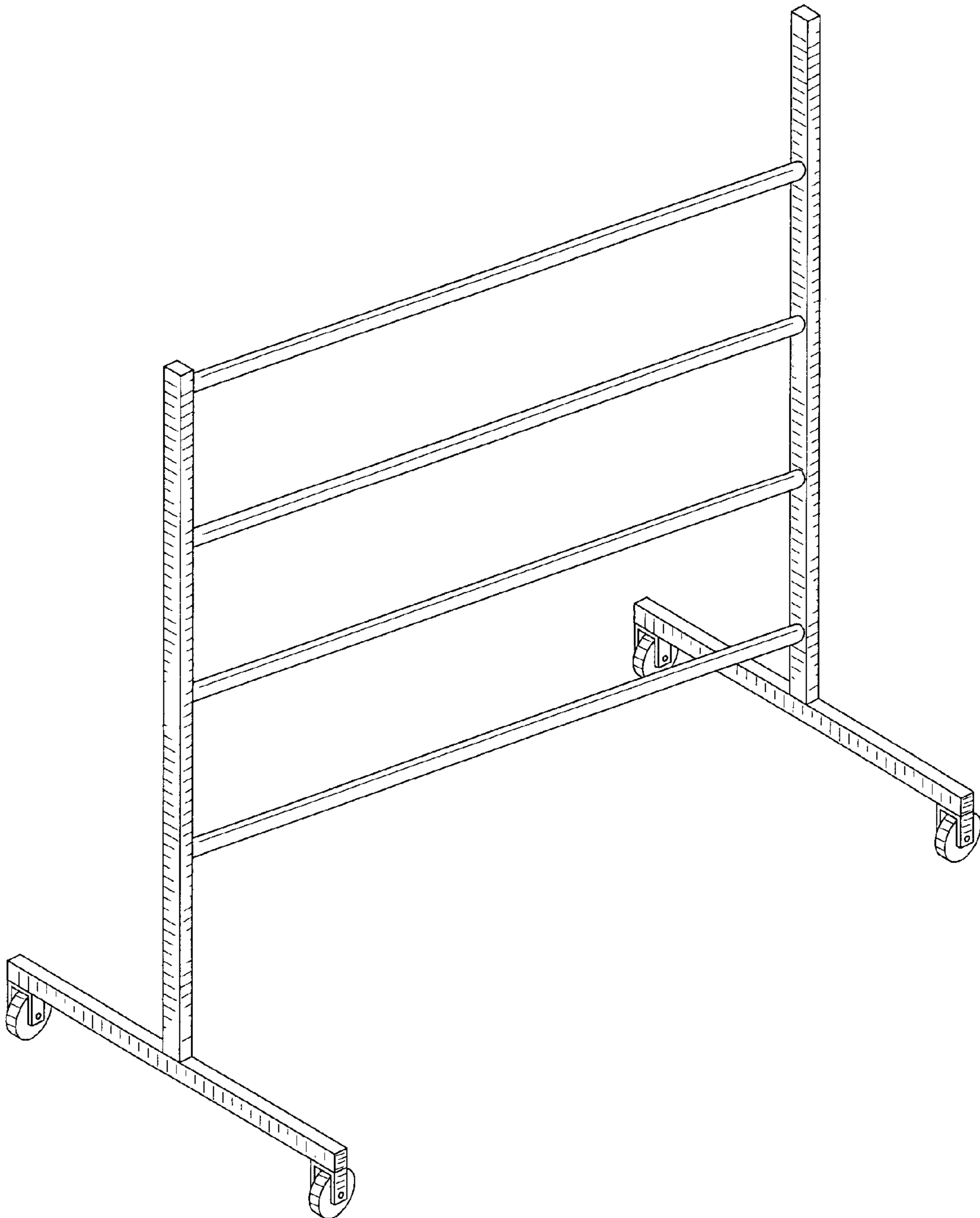


FIG. 5