

US00D537262S

(12) **United States Design Patent**
Lifeng

(10) **Patent No.:** **US D537,262 S**

(45) **Date of Patent:** **** Feb. 27, 2007**

(54) **MASSAGE CHAIR**

(75) Inventor: **Xu Lifeng**, Suzhou (CN)

(73) Assignee: **Interactive Health, LLC**, Long Beach, CA (US)

(**) Term: **14 Years**

(21) Appl. No.: **29/254,964**

(22) Filed: **Mar. 1, 2006**

(51) **LOC (8) Cl.** **06-01**

(52) **U.S. Cl.** **D6/367**

(58) **Field of Classification Search** D6/334-336,
D6/360, 361, 367, 371, 373, 379, 500-502;
297/68, 271.1, 271.2, 271.3, 411.45, 423.19,
297/423.3, 353, 354.1; 601/49, 57-59, 97-99,
601/102, 115, 116, 148, 149

See application file for complete search history.

(56) **References Cited**

U.S. PATENT DOCUMENTS

D372,801 S	*	8/1996	Fujimoto et al.	D6/367
D372,802 S	*	8/1996	Fujimoto et al.	D6/367
D418,990 S	*	1/2000	Oguri et al.	D6/367
D471,372 S	*	3/2003	Inada et al.	D6/367
D491,375 S	*	6/2004	Yuyama	D6/335
D502,607 S	*	3/2005	Miyake et al.	D6/335
D502,817 S	*	3/2005	Inada et al.	D6/367
D508,617 S	*	8/2005	Potter	D6/367

D517,337 S * 3/2006 Mori D6/367
2005/0033204 A1 * 2/2005 Nakamura et al. 601/98

* cited by examiner

Primary Examiner—Mimosa De

(74) *Attorney, Agent, or Firm*—Christie, Parker & Hale, LLP.

(57) **CLAIM**

The ornamental design for massage chair, as shown and described.

DESCRIPTION

FIG. 1 is perspective view of a massage chair according to the present invention;

FIG. 2 is a side view of the massage chair according to FIG. 1;

FIG. 3 is a front view of the massage chair according to FIG. 1;

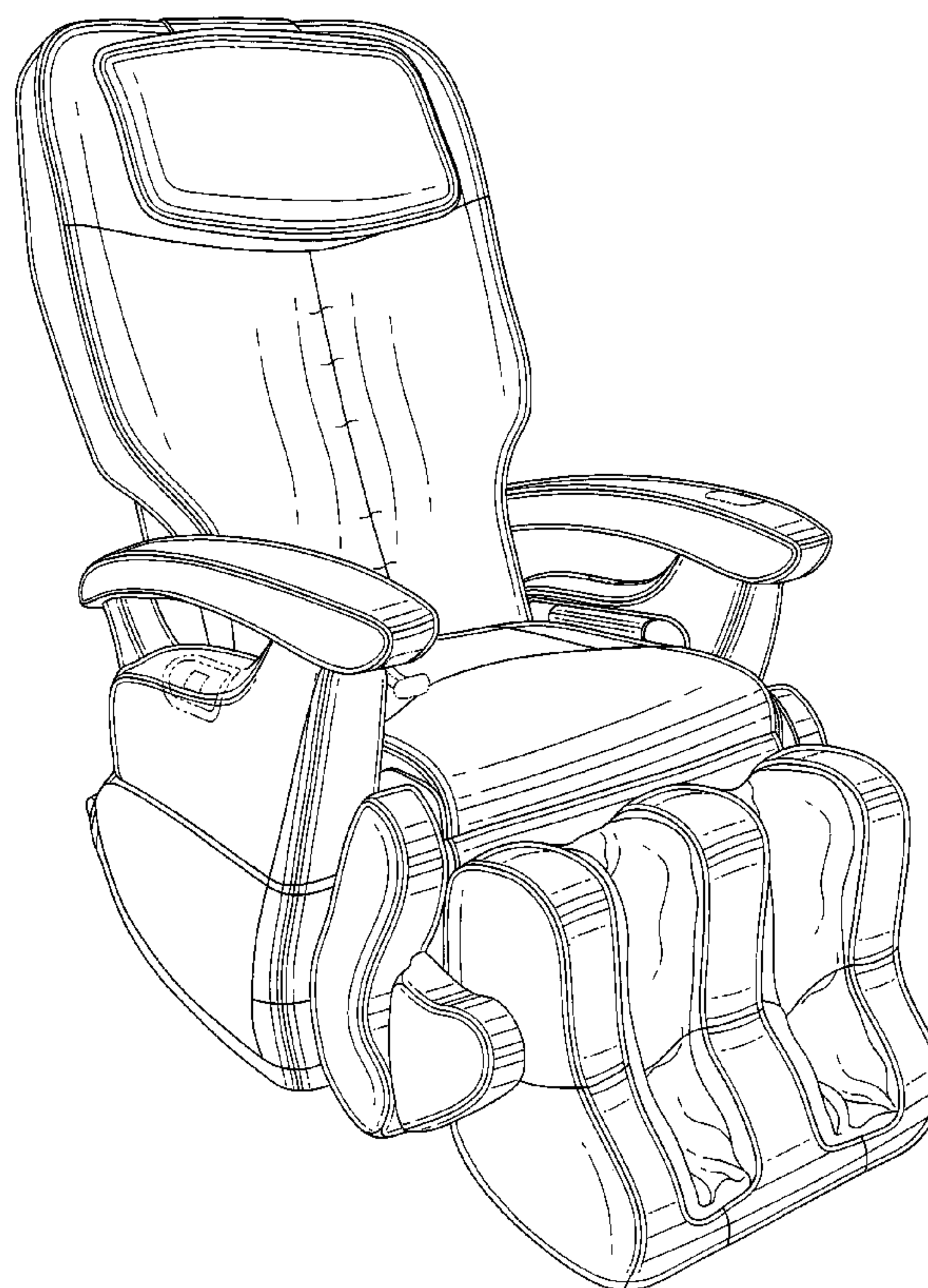
FIG. 4 is another side view of the massage chair according to FIG. 1;

FIG. 5 is a back view of the massage chair according to FIG. 1; and,

FIG. 6 is a top view of the massage chair according to FIG. 1.

The broken lines shown on the armrests and side panels in FIGS. 1, 2, 4 and 6 are for illustrative purposes only and form no part of the claimed design.

1 Claim, 6 Drawing Sheets



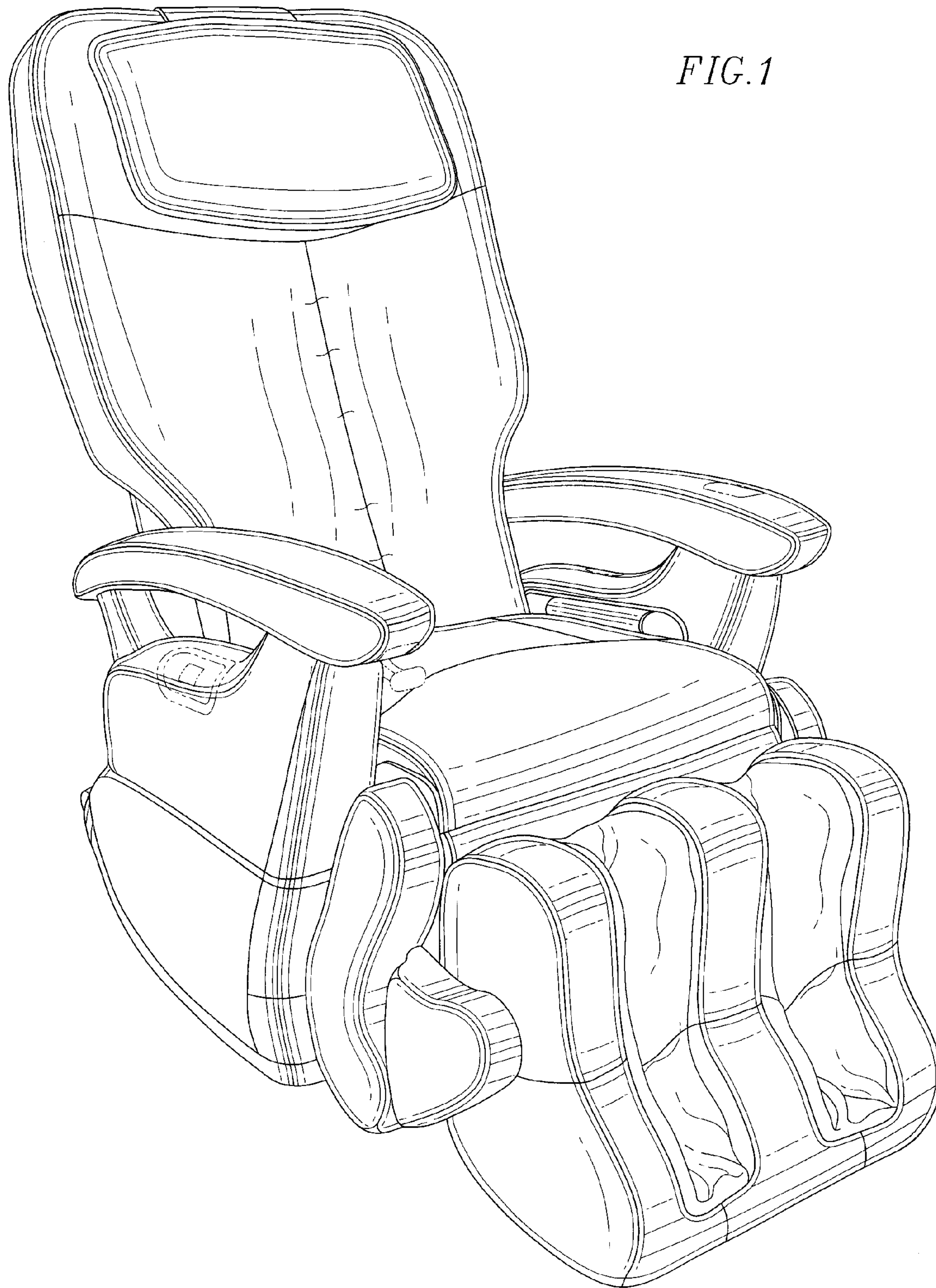


FIG. 1

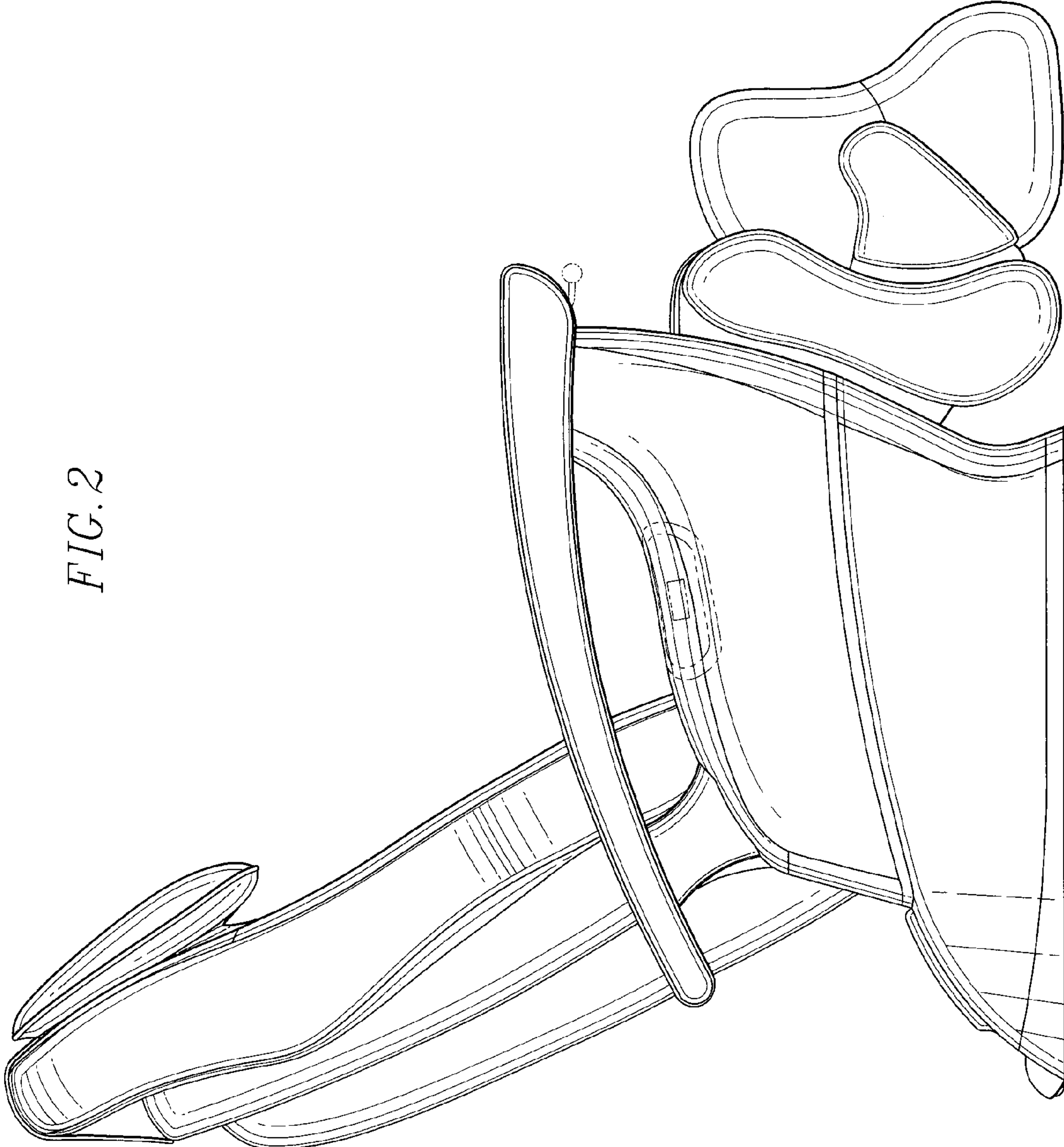


FIG. 2

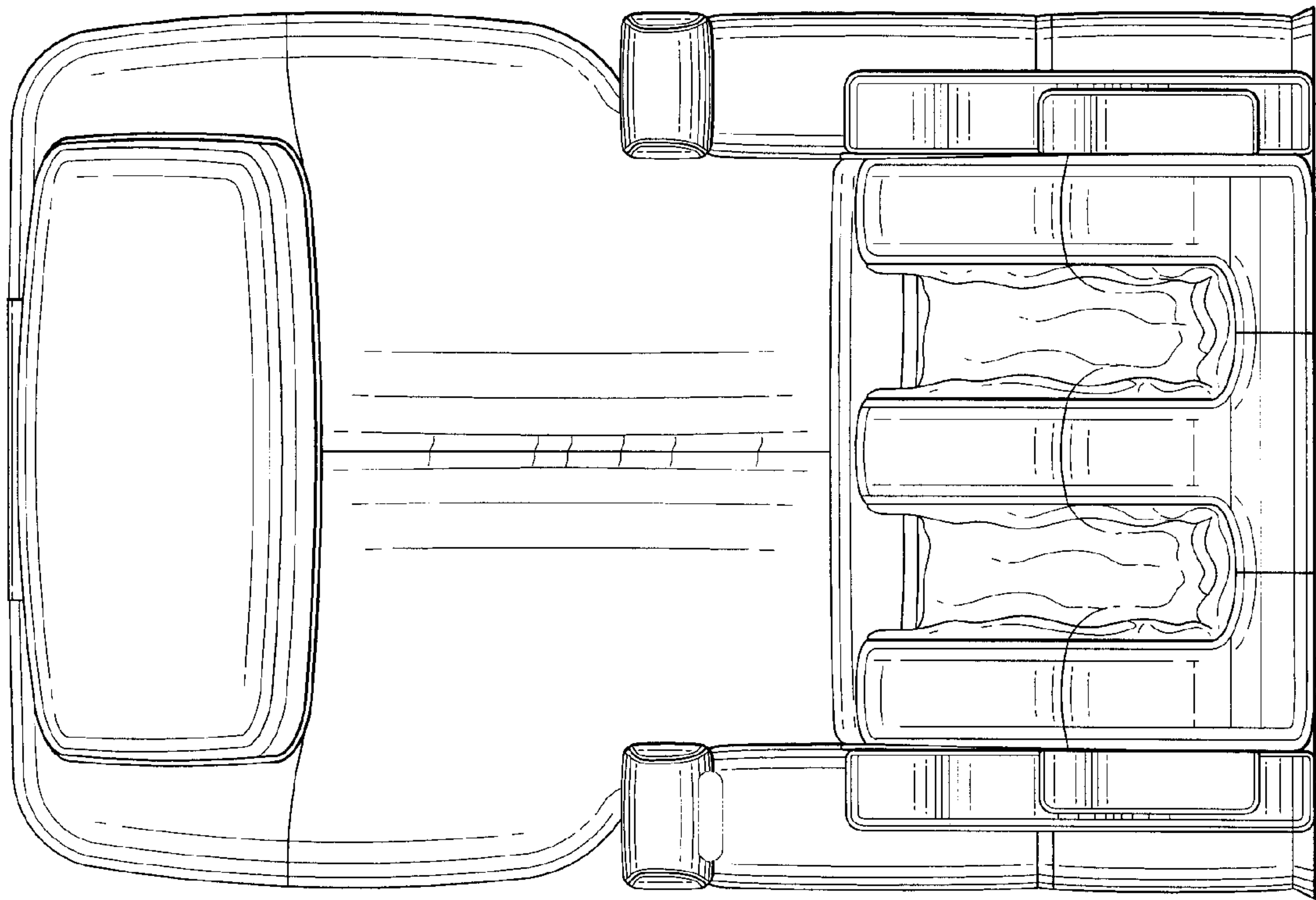


FIG. 3

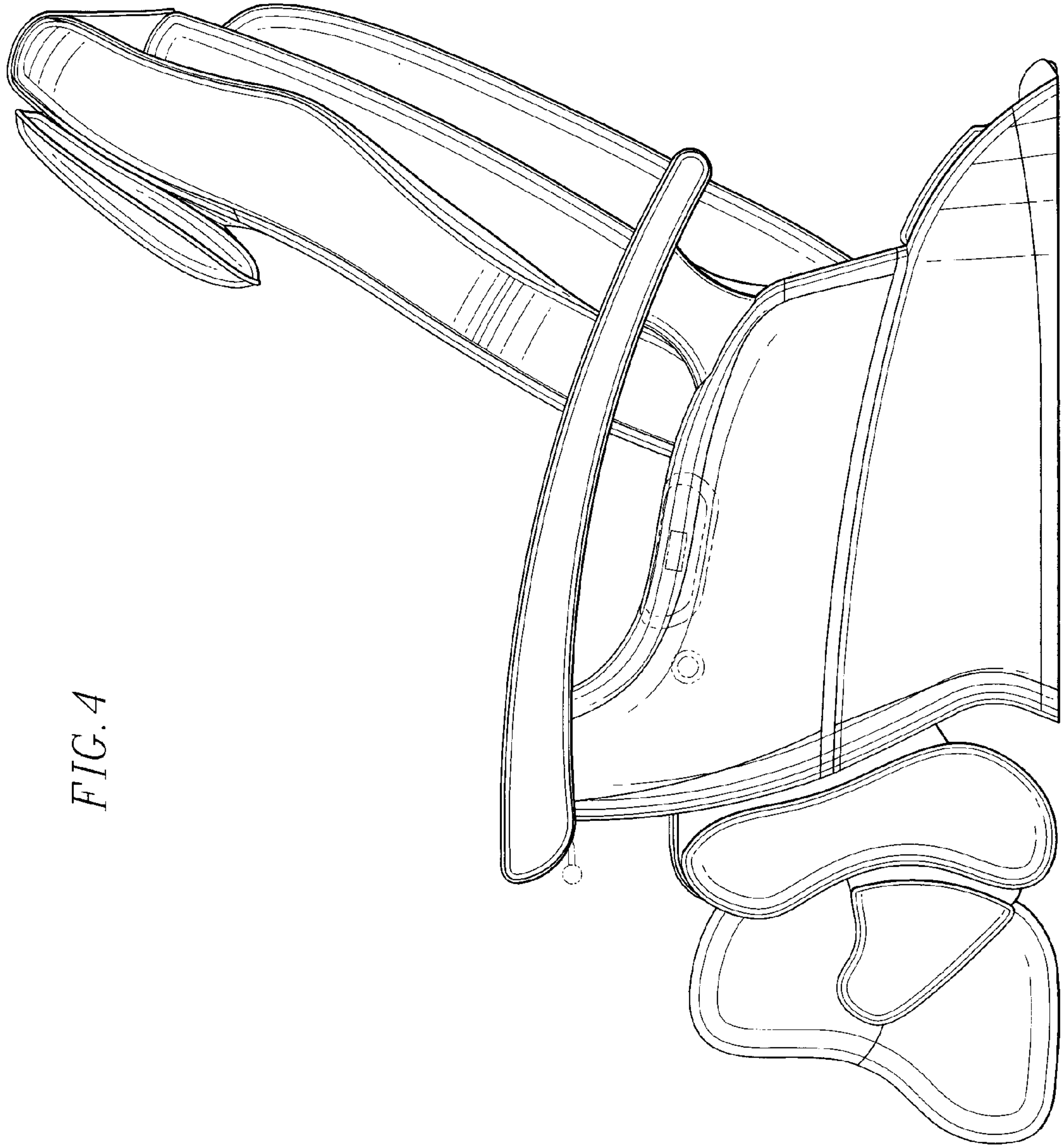


FIG. 4

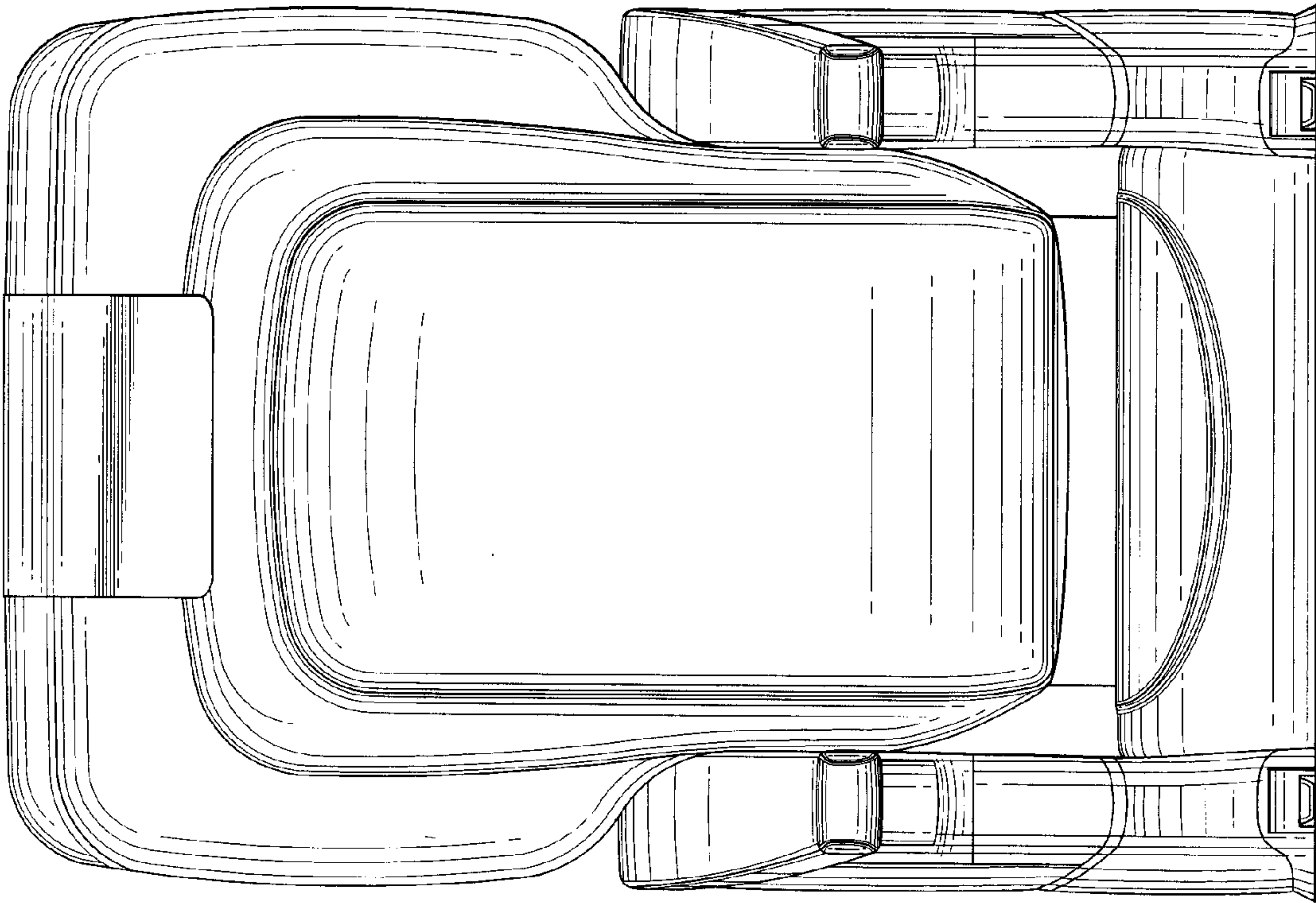


FIG. 5

FIG. 6

