



US00D537261S

(12) **United States Design Patent**
Goldsmith

(10) **Patent No.:** **US D537,261 S**

(45) **Date of Patent:** **** Feb. 27, 2007**

(54) **MARINE CHAIR**

(75) **Inventor:** **Howard G. Goldsmith**, South
Kingstown, RI (US)

(73) **Assignee:** **Chem-Tainer Industries, Inc.**, North
Babylon, NY (US)

(**) **Term:** **14 Years**

(21) **Appl. No.:** **29/237,152**

(22) **Filed:** **Aug. 26, 2005**

(51) **LOC (8) Cl.** **06-06**

(52) **U.S. Cl.** **D6/364**

(58) **Field of Classification Search** D6/334-335,
D6/364, 365, 366, 367, 379, 380, 500-502;
114/363; 297/451.1, 452.21, 452.62, 452.63,
297/452.64, 461

See application file for complete search history.

(56) **References Cited**

U.S. PATENT DOCUMENTS

- D272,017 S * 1/1984 Keller D6/365
- D289,584 S * 5/1987 Pratt D6/364
- D324,460 S * 3/1992 Murray D6/380

- D350,649 S * 9/1994 Rozum D6/335
- D449,171 S * 10/2001 Kyle D6/364
- D460,281 S * 7/2002 Shields et al. D6/365

* cited by examiner

Primary Examiner—Mimosa De

(74) *Attorney, Agent, or Firm*—Salter & Michaelson

(57) **CLAIM**

The ornamental design for a marine chair, as shown and described.

DESCRIPTION

FIG. 1 is a perspective view of a marine chair showing my new design;

FIG. 2 is a front elevational view thereof;

FIG. 3 is a rear elevational view thereof;

FIG. 4 is a left side view thereof;

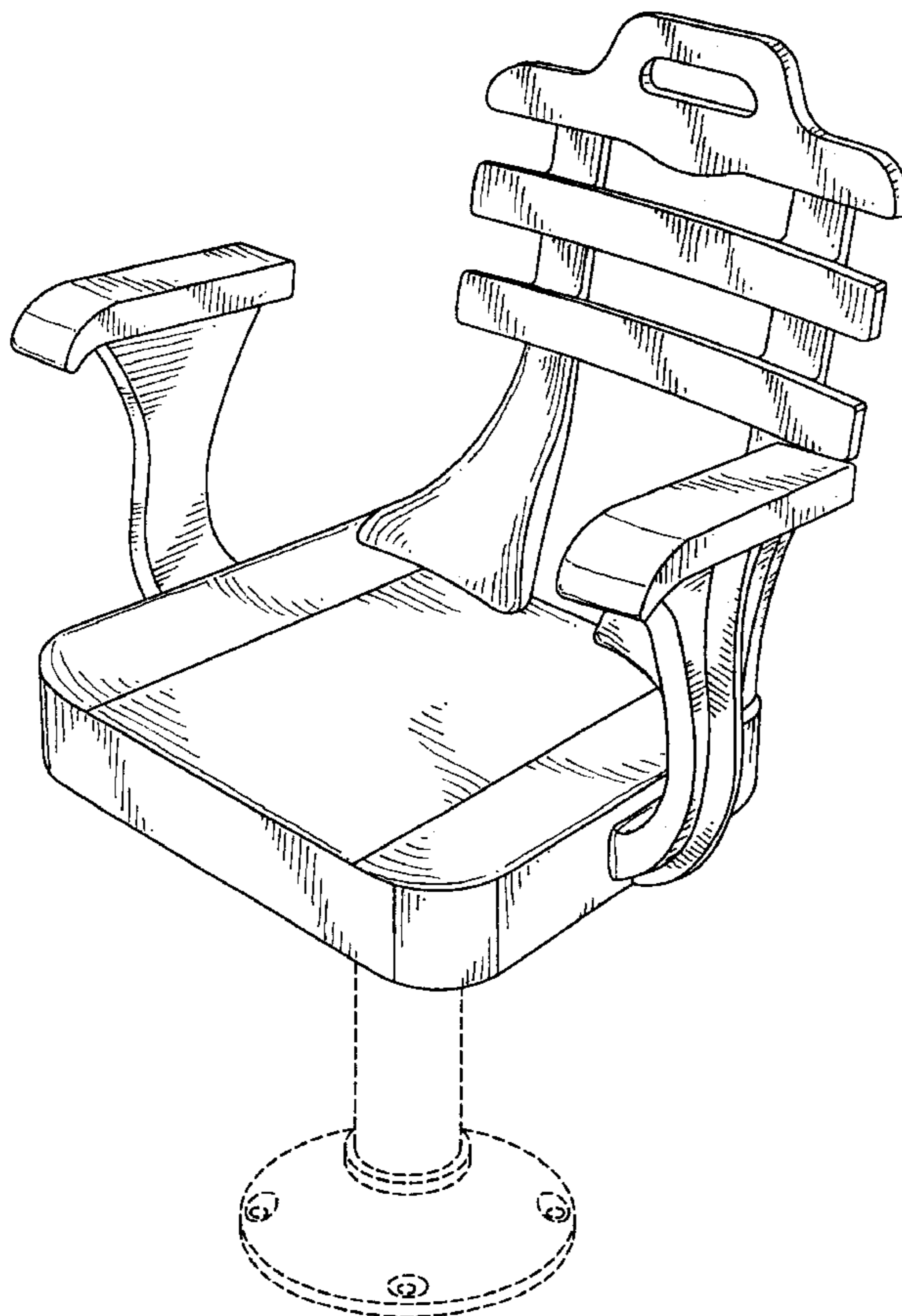
FIG. 5 is a right side view thereof;

FIG. 6 is a top plan view thereof; and,

FIG. 7 is a bottom plan view thereof.

The portions shown in broken lines in FIG. 1 are for illustrative purposes only and form no part of the claimed design.

1 Claim, 7 Drawing Sheets



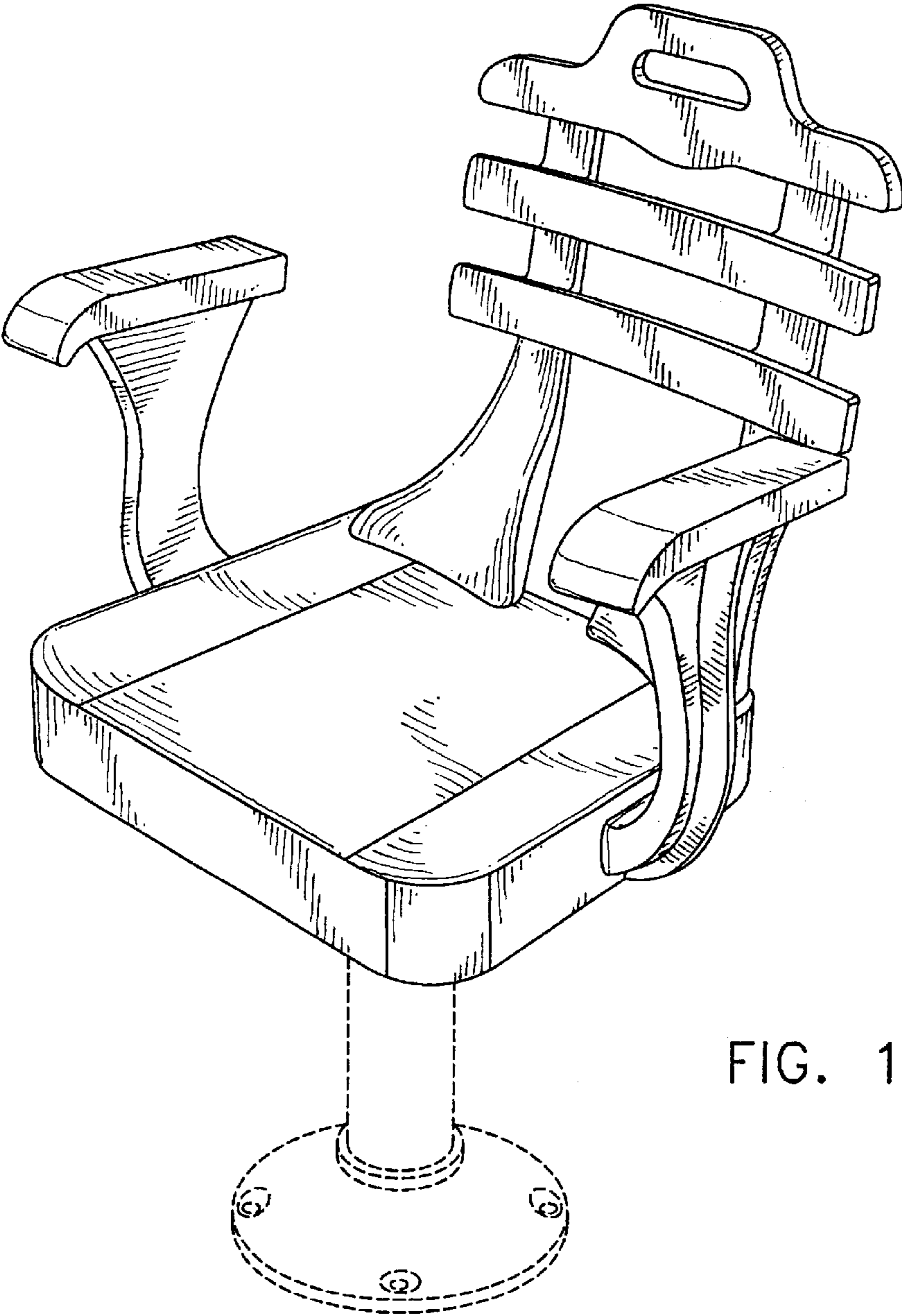


FIG. 1

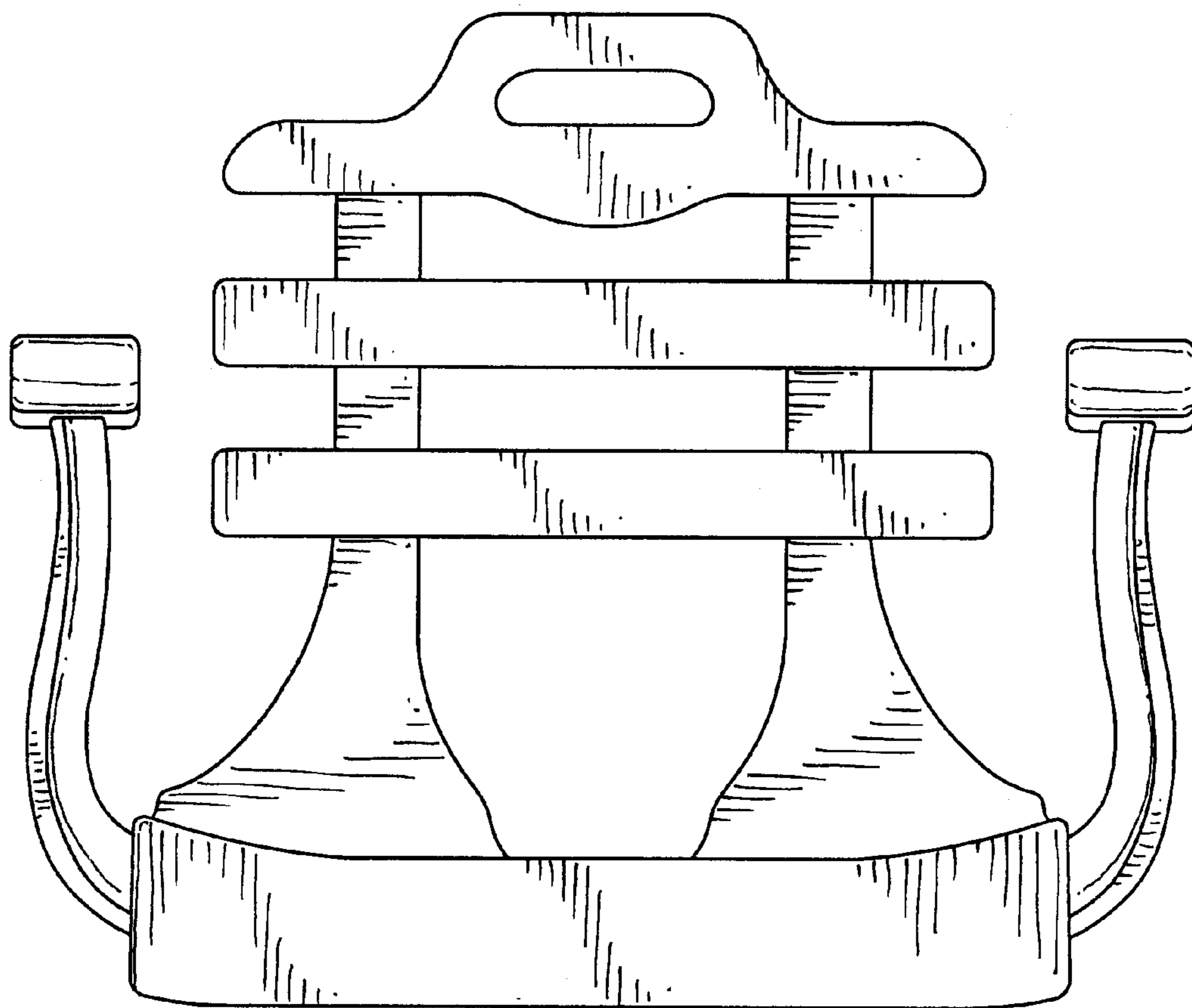


FIG. 2

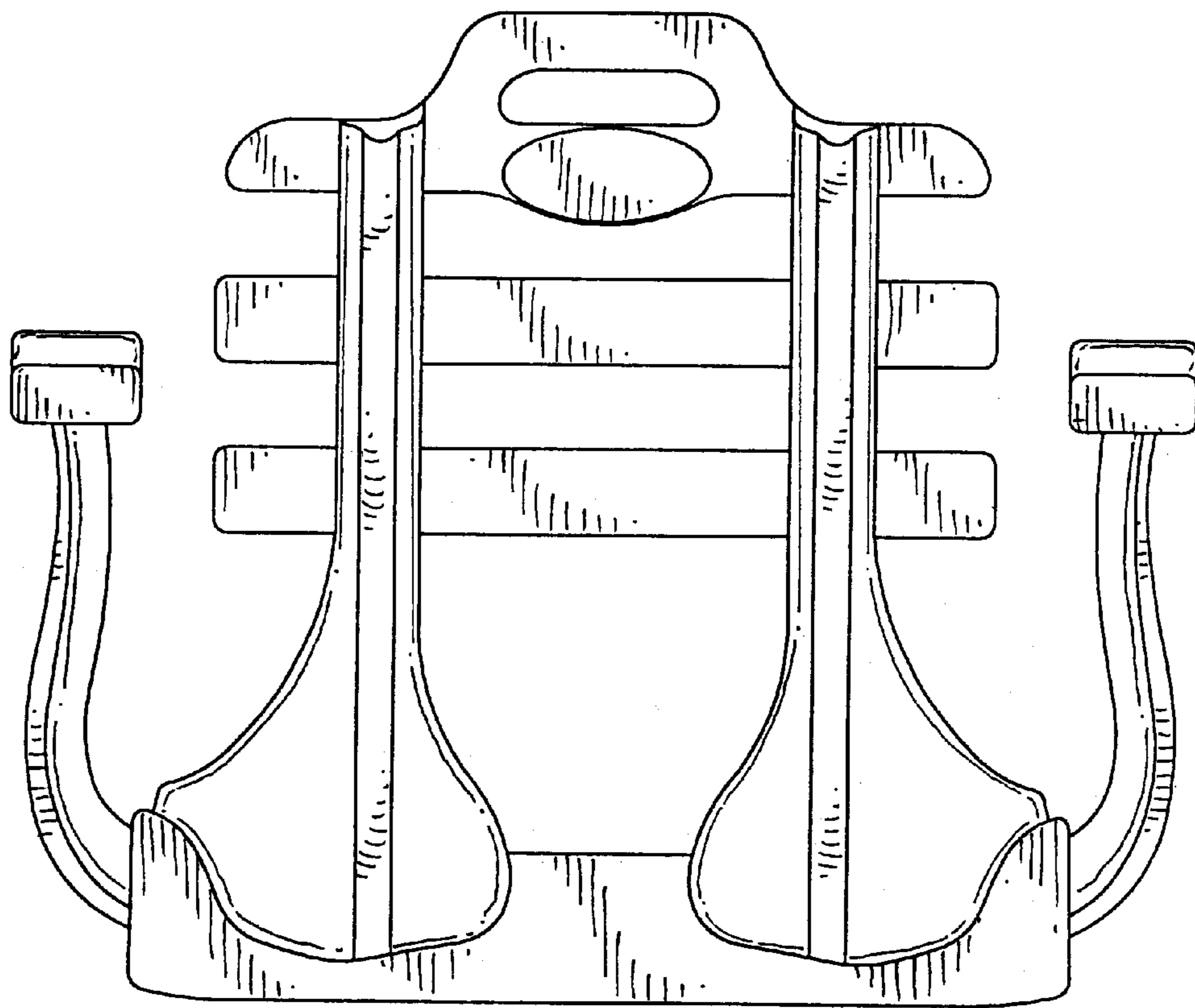


FIG. 3

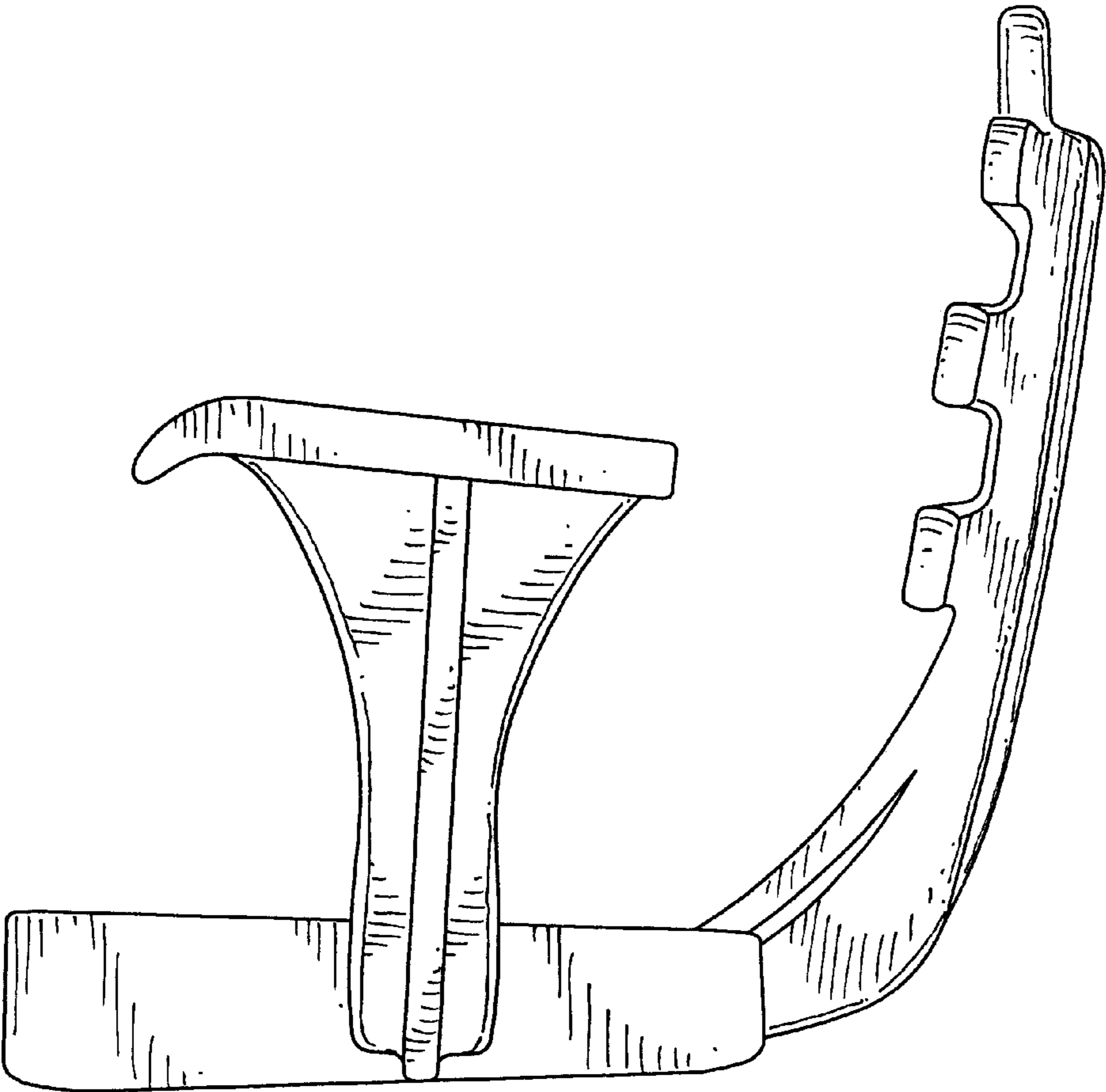


FIG. 4

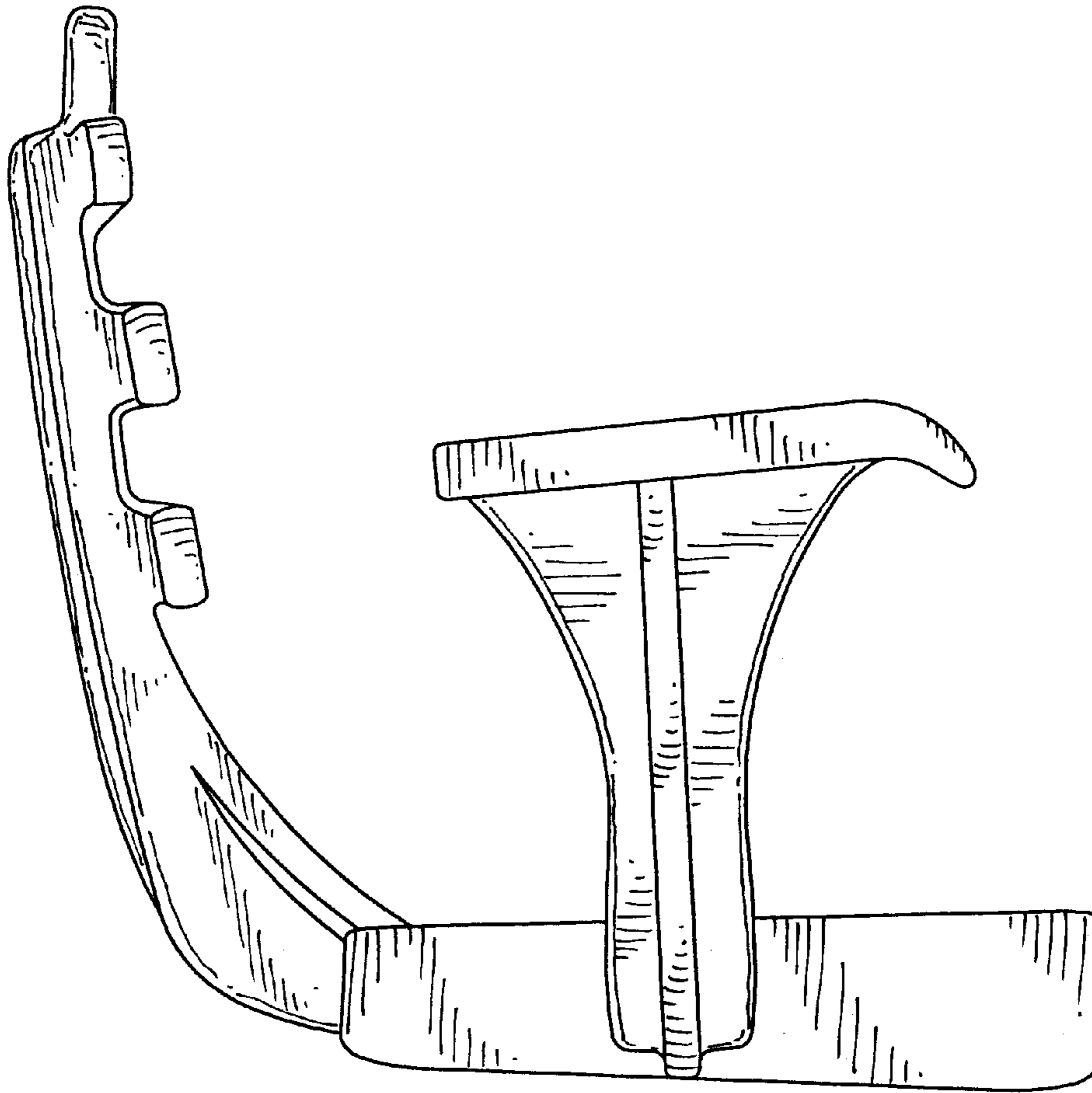


FIG. 5

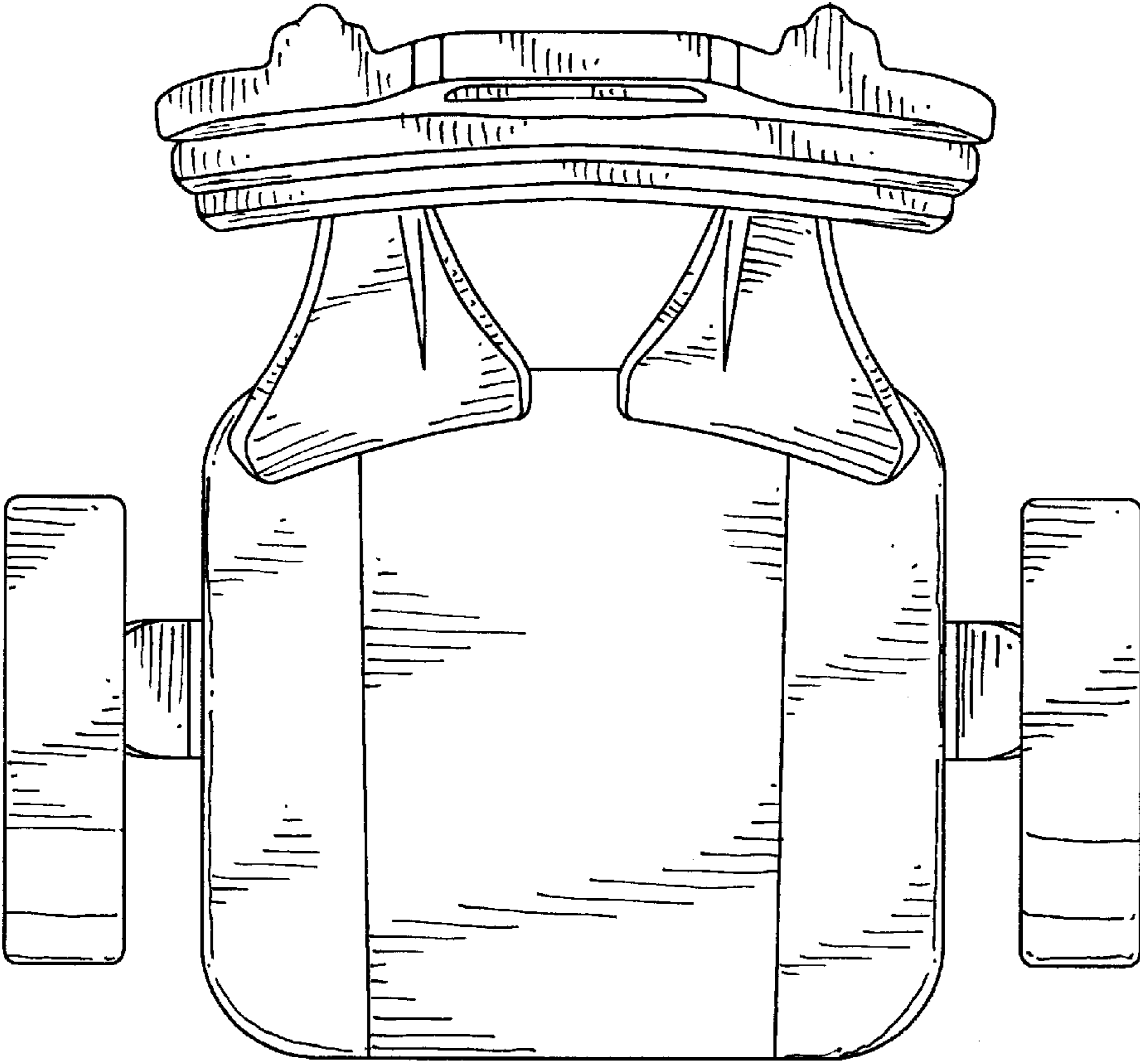


FIG. 6

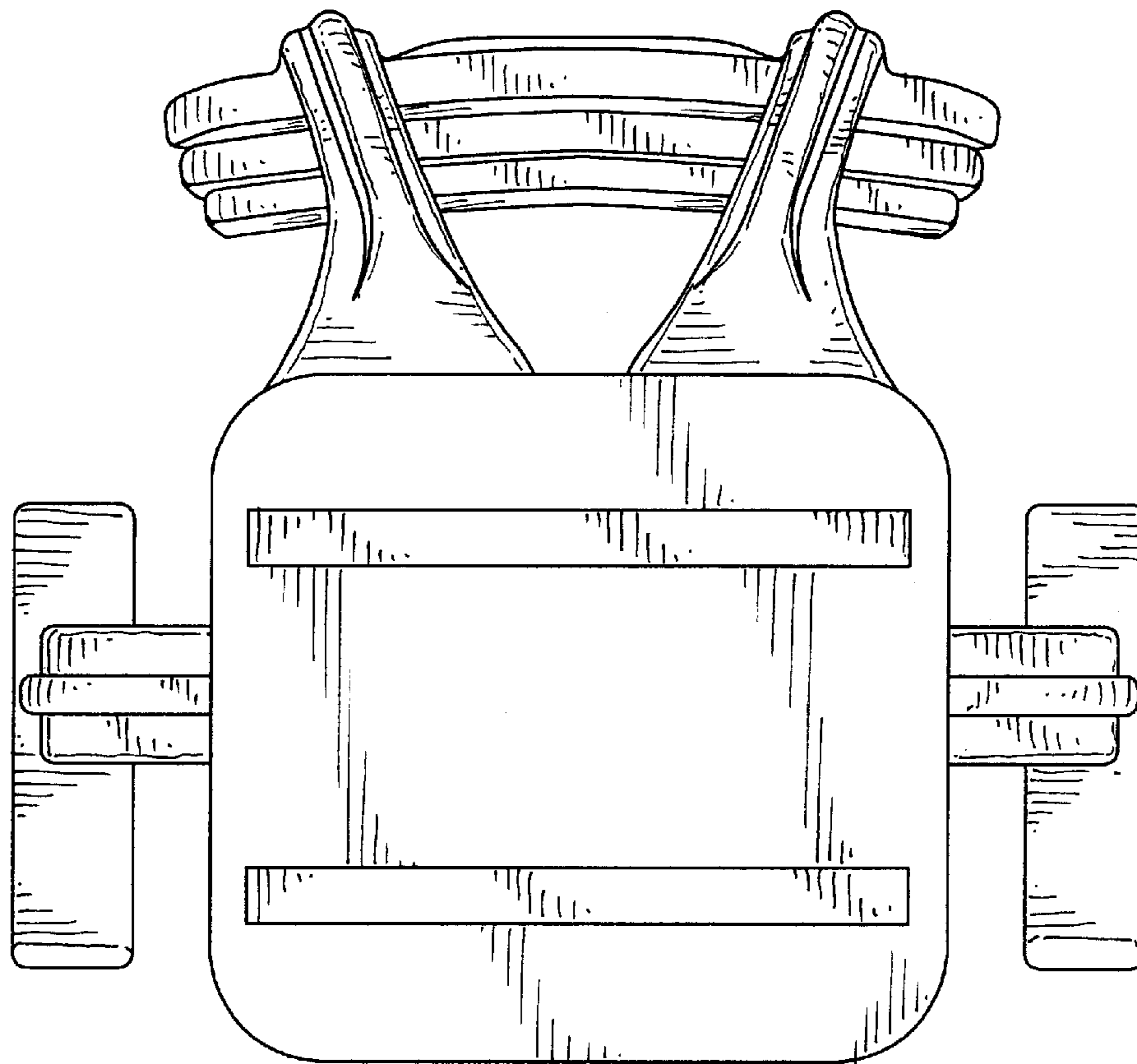


FIG. 7