



US00D537255S

(12) **United States Design Patent** (10) **Patent No.:** **US D537,255 S**
Berti (45) **Date of Patent:** **** Feb. 27, 2007**

(54) **BROOM HEAD**

(75) Inventor: **Enzo Berti**, Venice (IT)

(73) Assignee: **The Libman Company**, Arcola, IL (US)

(**) Term: **14 Years**

(21) Appl. No.: **29/254,264**

(22) Filed: **Feb. 21, 2006**

(51) **LOC (8) Cl.** **04-99**

(52) **U.S. Cl.** **D4/199; D32/50**

(58) **Field of Classification Search** D4/129, D4/132, 135, 199; D32/50; 15/146, 147.1, 15/159.1, 160, 171, 175, 176.1, 176.2
See application file for complete search history.

(56) **References Cited**

U.S. PATENT DOCUMENTS

D359,853 S * 7/1995 Haug D4/132
5,517,710 A * 5/1996 Hisey 15/160 X
D411,920 S * 7/1999 Vosbikian et al. D4/135
D497,723 S * 11/2004 Sickler D4/135 X
2005/0015905 A1 * 1/2005 Boyer et al. 15/159.1

OTHER PUBLICATIONS

WIPO DM/061157 Industrial Design Registration (France Scope M.P. S.R.L.) Oct. 16, 2001, [online], [retrieved on Sep. 23, 2006] Retrieved from the Hague Express Database

of the WIPO IP Digital Library using Internet <URL: <http://www.wipo.int/ipdl>>.*

* cited by examiner

Primary Examiner—Alan P. Douglas
Assistant Examiner—Lavone D. Tabor
(74) *Attorney, Agent, or Firm*—Banner & Witcoff, Ltd.

(57) **CLAIM**

The ornamental design for a broom head, as shown and described.

DESCRIPTION

FIG. 1 is a perspective front view showing my new design of a broom head;

FIG. 2 is a front view thereof;

FIG. 3 is a rear view thereof;

FIG. 4 is a top view thereof;

FIG. 5 is a left side view thereof; and,

FIG. 6 is a right side view thereof.

The broken line showing in FIGS. 1–6 is for illustrative purposes only and forms no part of the claimed design.

1 Claim, 4 Drawing Sheets

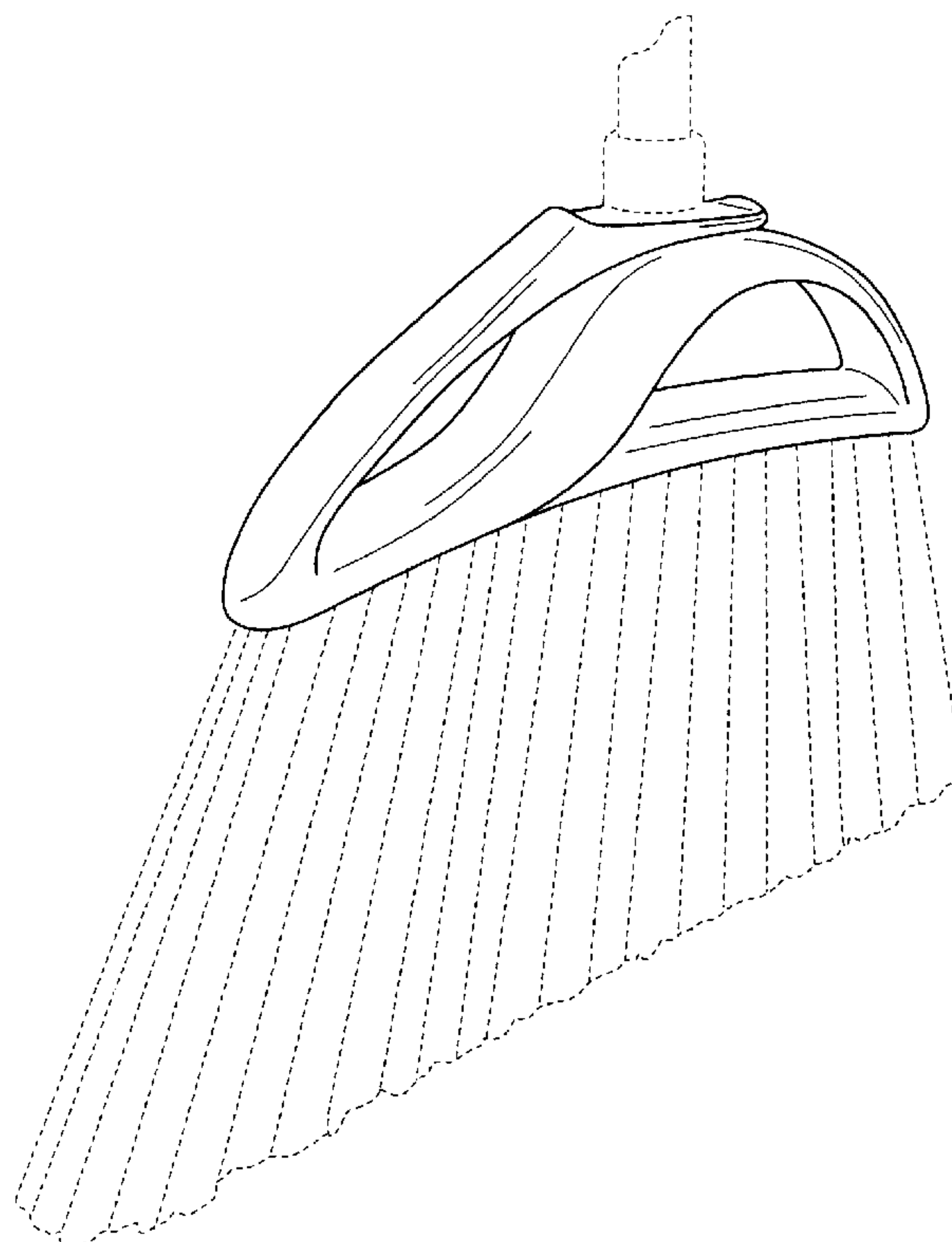
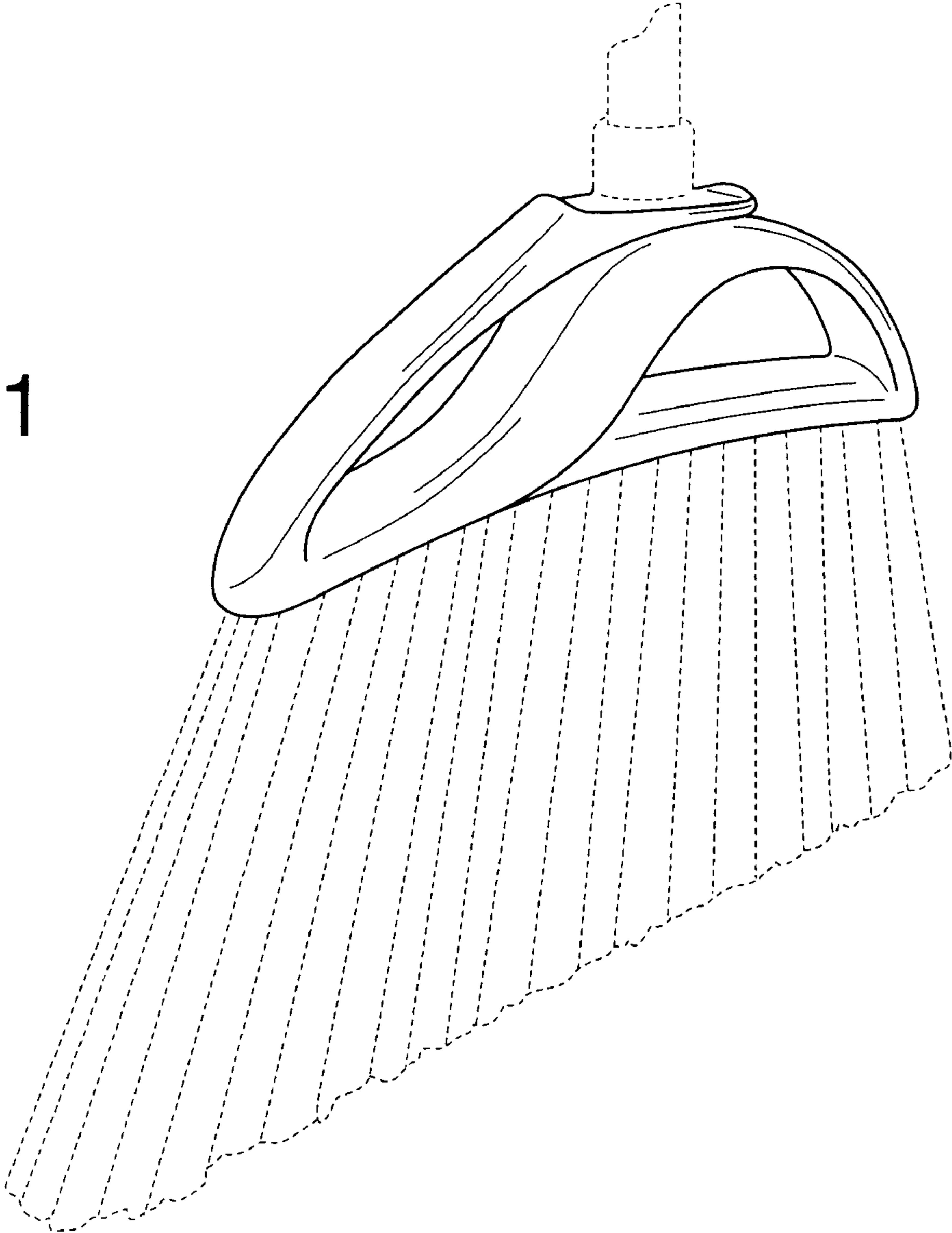


FIG. 1



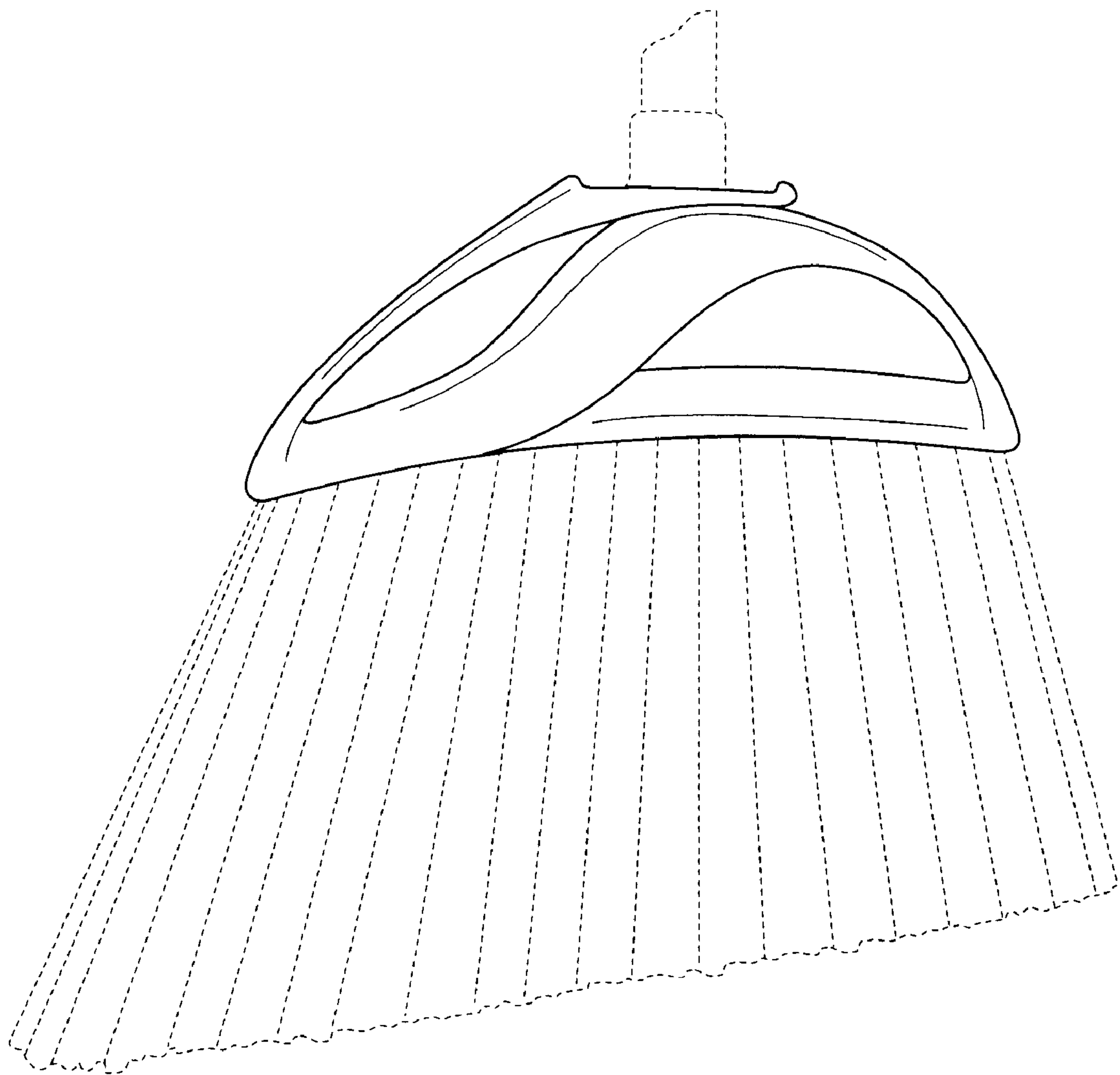


FIG. 2

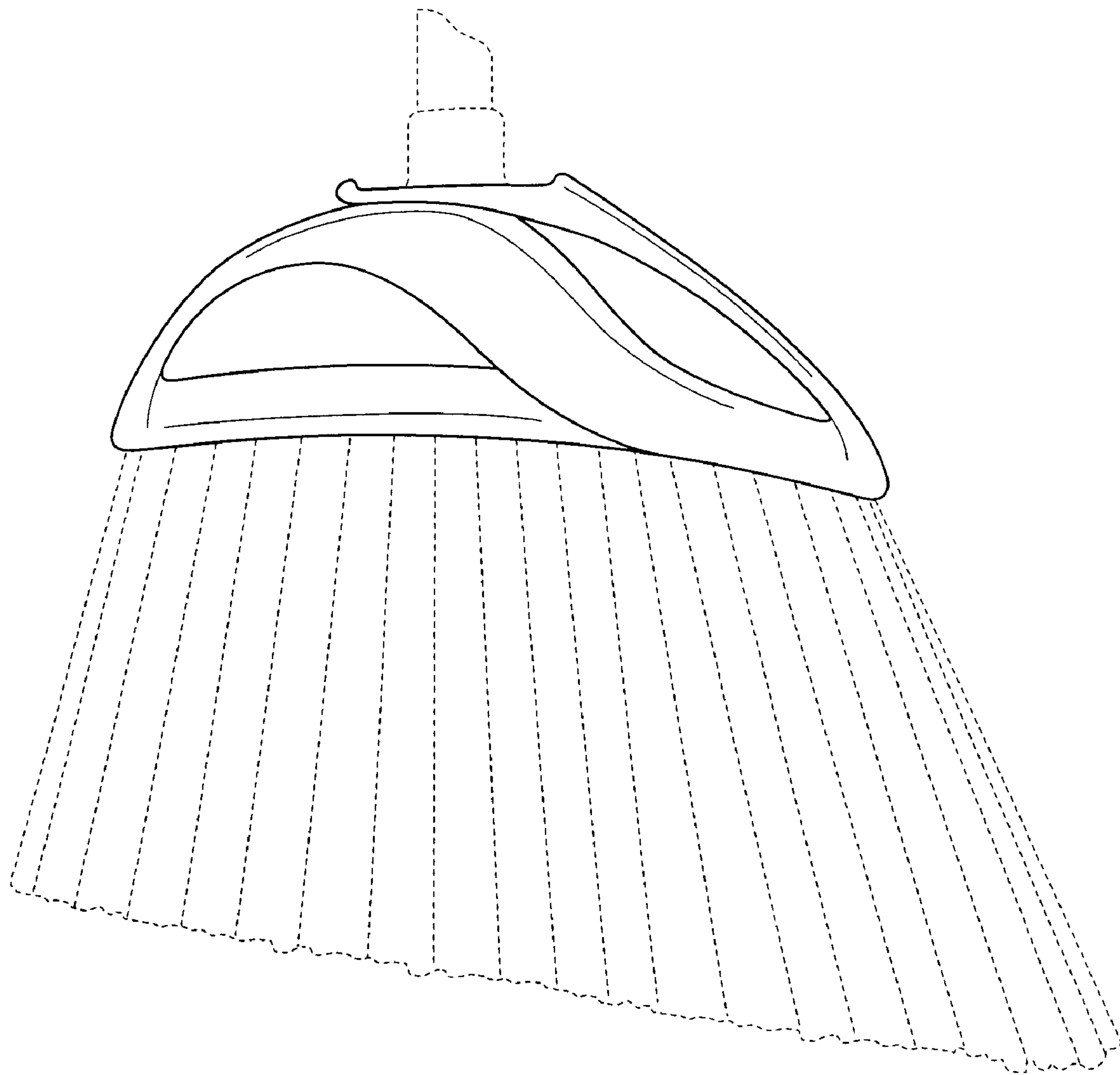


FIG. 3

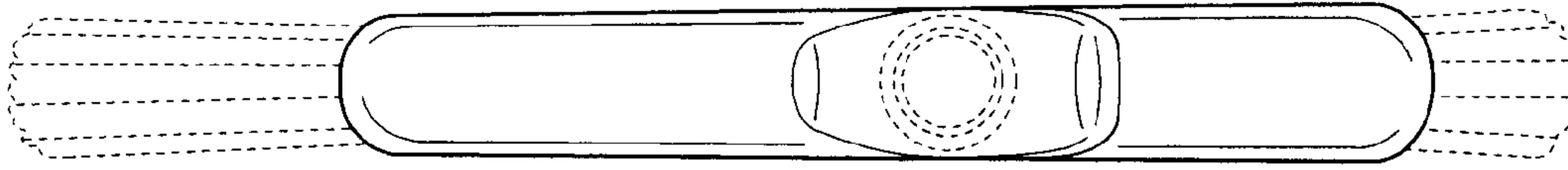


FIG. 4

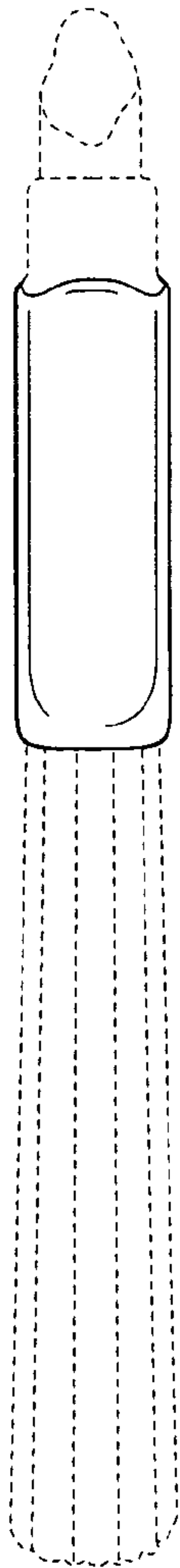


FIG. 5

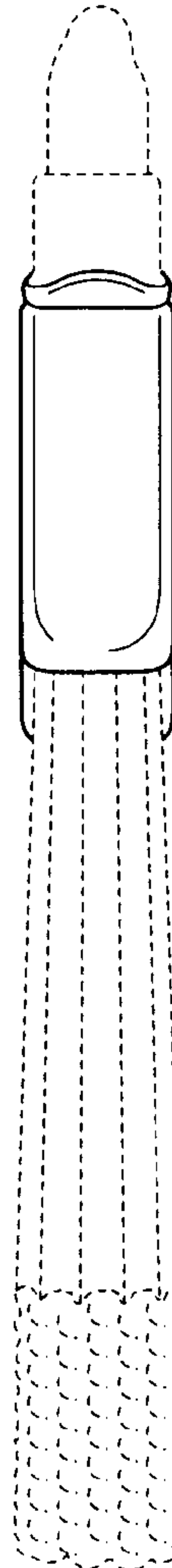


FIG. 6