



US00D537254S

(12) **United States Design Patent**
Miles et al.

(10) **Patent No.:** **US D537,254 S**

(45) **Date of Patent:** **** Feb. 27, 2007**

(54) **BRUSH**

3,599,263 A * 8/1971 Cheiten 15/164 X
7,017,222 B2 * 3/2006 Dunn 15/164 X

(75) Inventors: **Norman B. Miles**, North Hollywood, CA (US); **Laura L. Manson**, Medina, OH (US); **Kenneth W. Bair**, Akron, OH (US); **Jonathan M. Katz**, Solon, OH (US)

OTHER PUBLICATIONS

The Milwaukee Brush Manufacturing Co., Catalog No. 36-R-7, Wisconsin Cuneo Press, 1949; Separator Bowl Brush, p. 45; Cream Ripener Brush, p. 47.*

(73) Assignee: **Vita-Mix Corporation**, Cleveland, OH (US)

* cited by examiner

(**) Term: **14 Years**

Primary Examiner—Alan P. Douglas

Assistant Examiner—Lavone D. Tabor

(21) Appl. No.: **29/230,184**

(74) *Attorney, Agent, or Firm*—Renner, Kenner, Greive, Bobak, Taylor & Weber

(22) Filed: **May 17, 2005**

(57) **CLAIM**

(51) **LOC (8) Cl.** **04-01**

The ornamental design for a brush, as shown and described.

(52) **U.S. Cl.** **D4/128**

(58) **Field of Classification Search** D4/128,
D4/131, 138; 15/104.16, 104.2, 143.1, 159.1,
15/160, 164, 186-188, 206

DESCRIPTION

See application file for complete search history.

FIG. 1 is a perspective view of a brush showing our new design;

FIG. 2 is a side elevational view thereof;

FIG. 3 is a rear elevational view thereof; and,

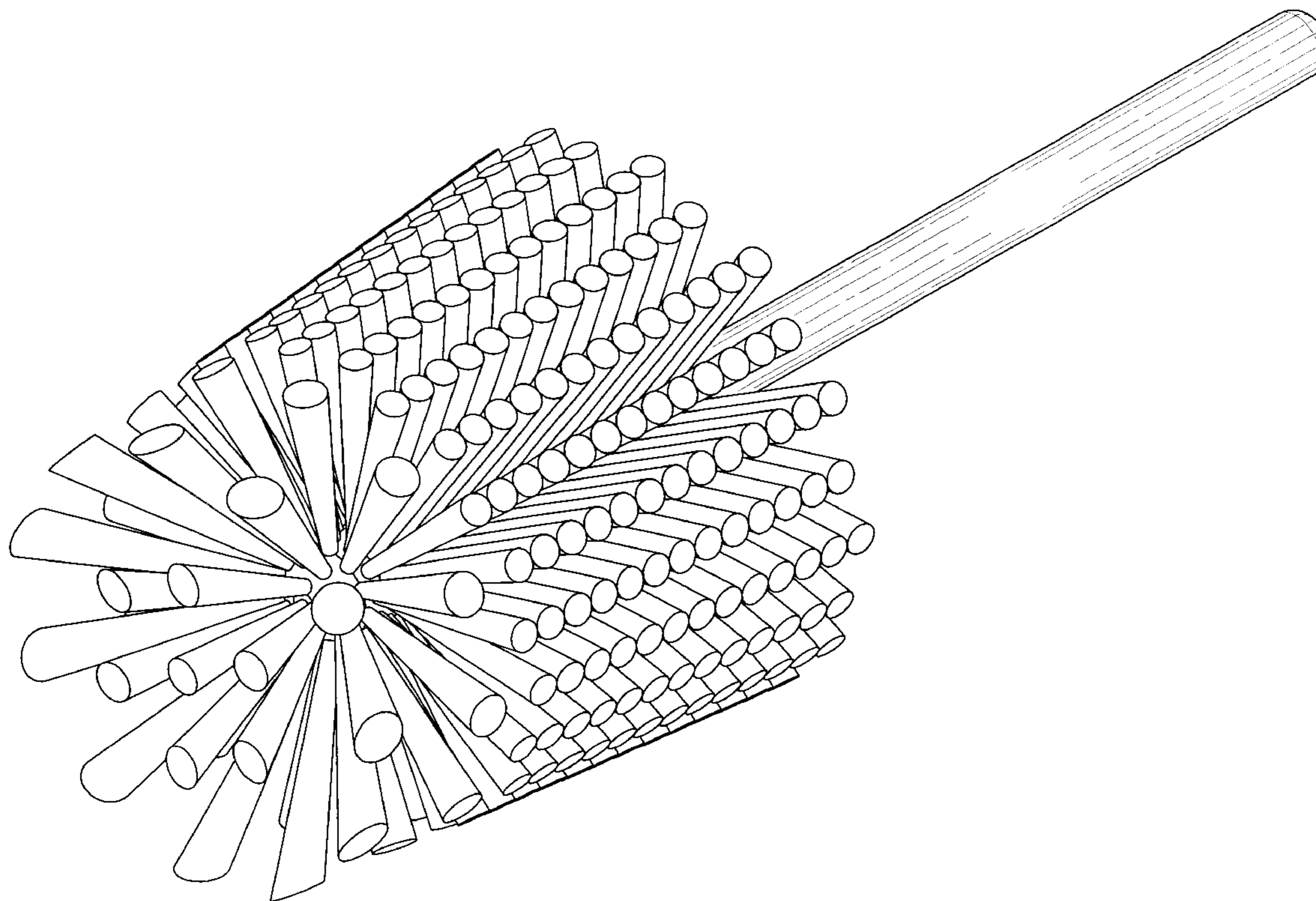
FIG. 4 is a front elevational view thereof.

(56) **References Cited**

U.S. PATENT DOCUMENTS

405,297 A * 6/1889 Bailey 15/104.16

1 Claim, 3 Drawing Sheets



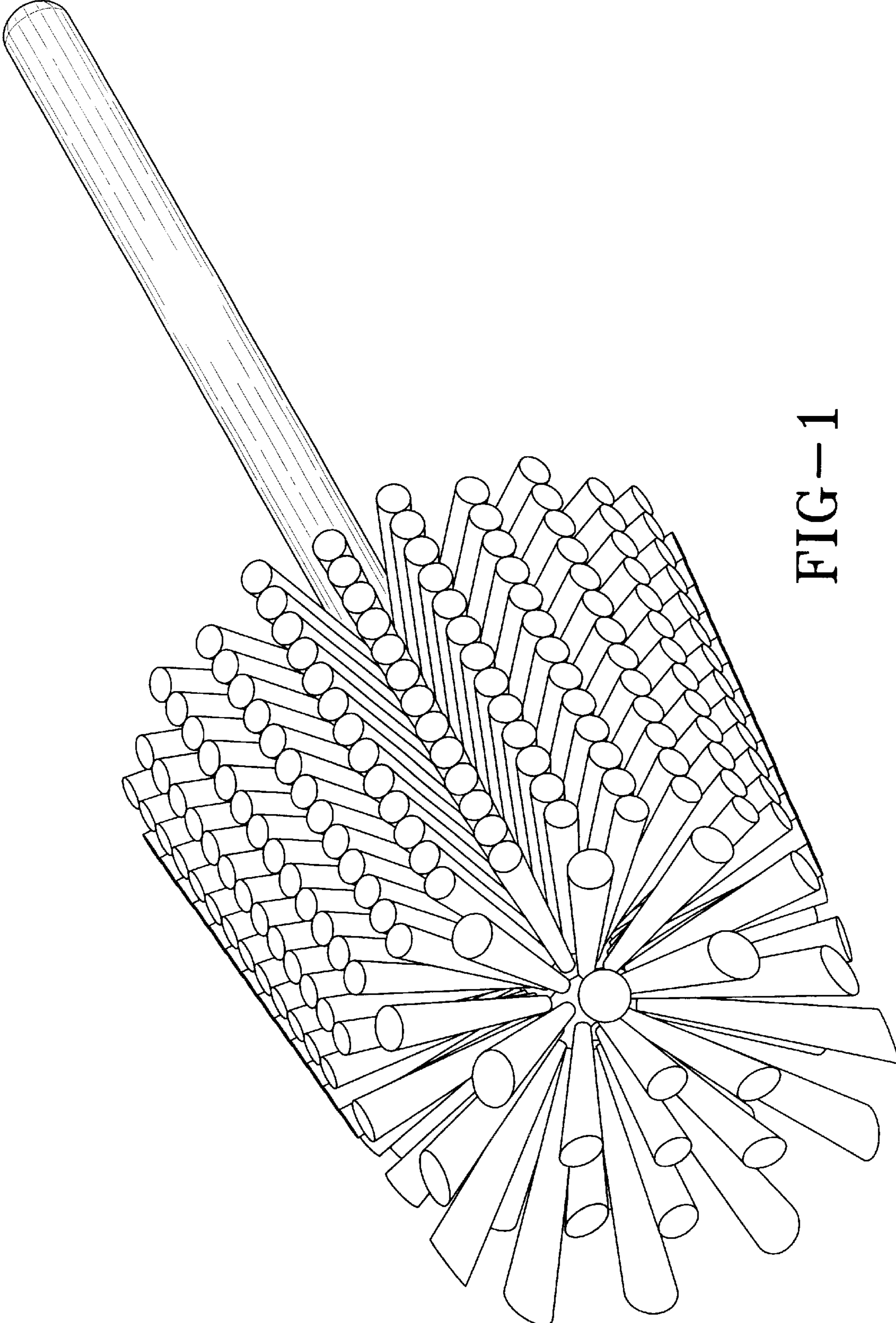


FIG-1

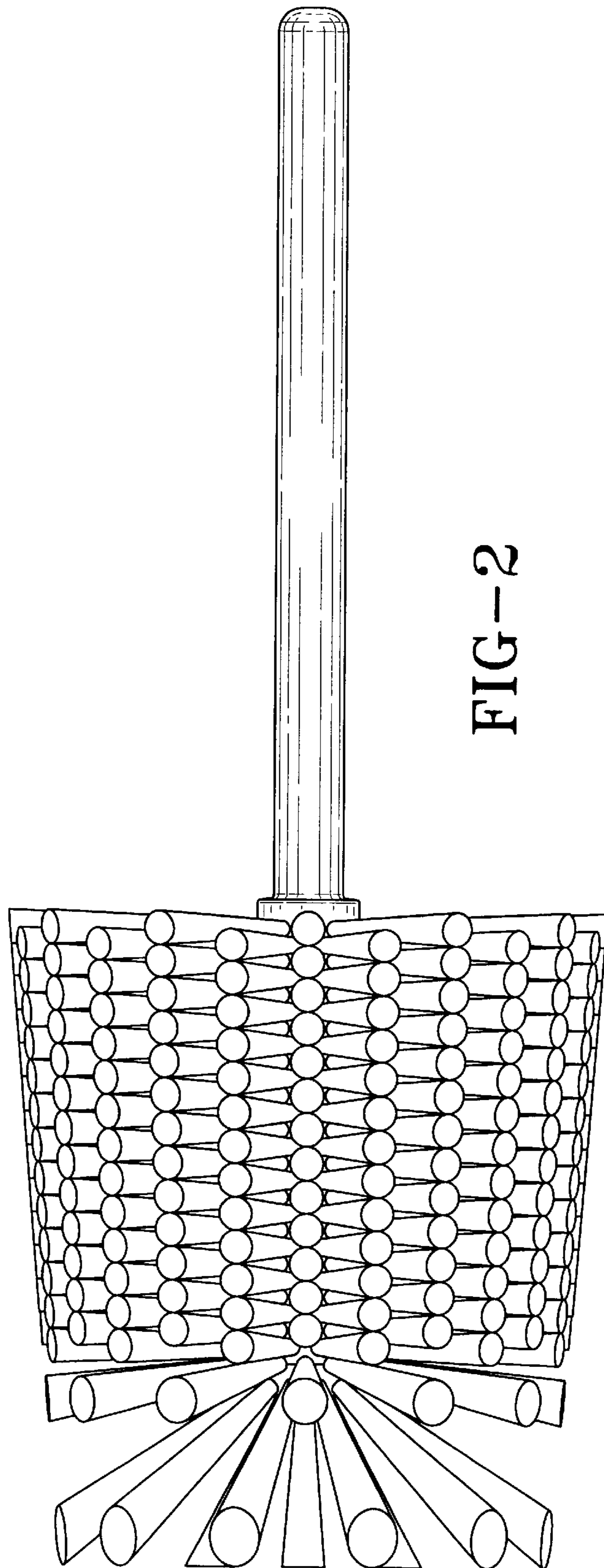


FIG-2

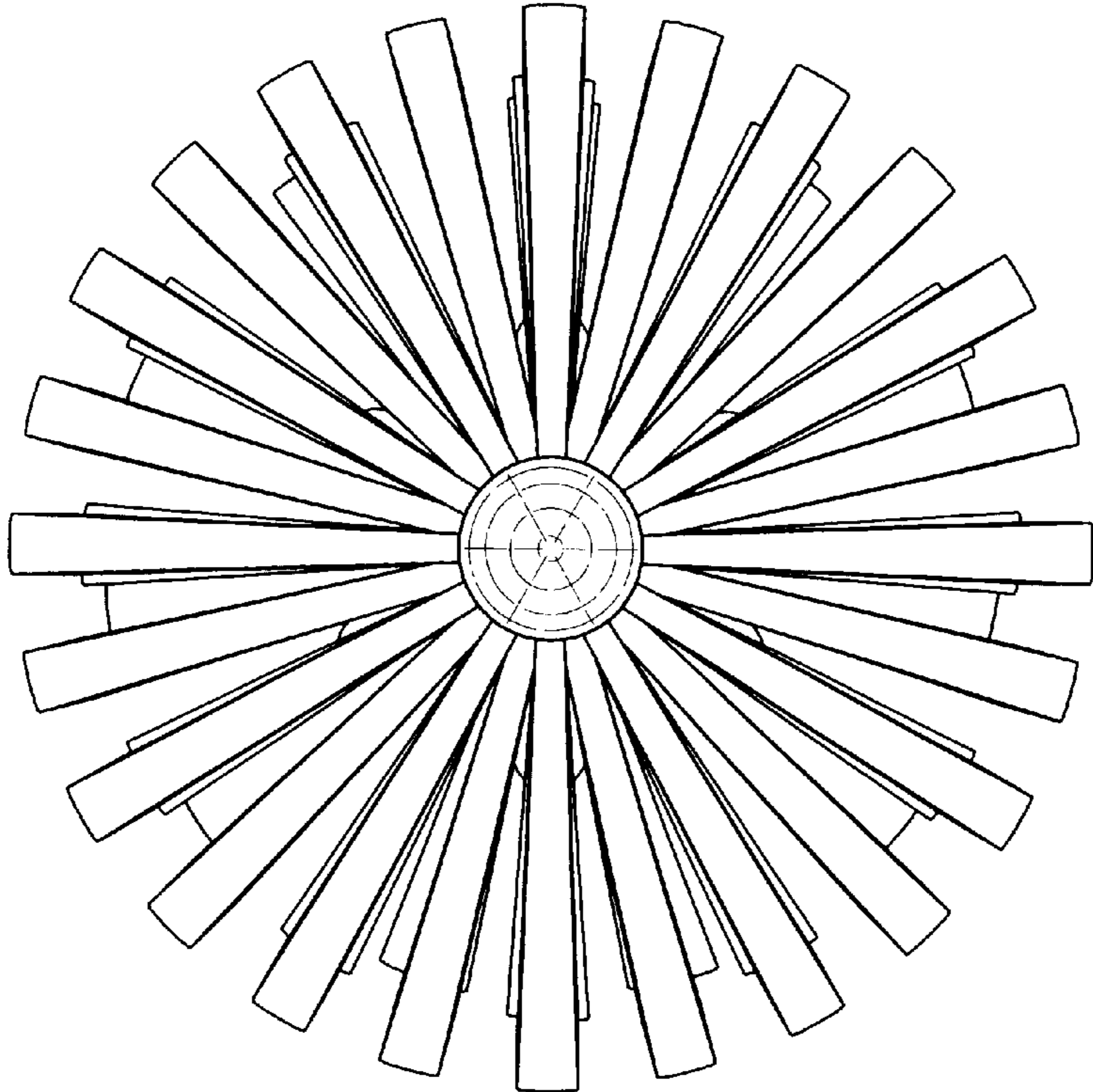


FIG-4

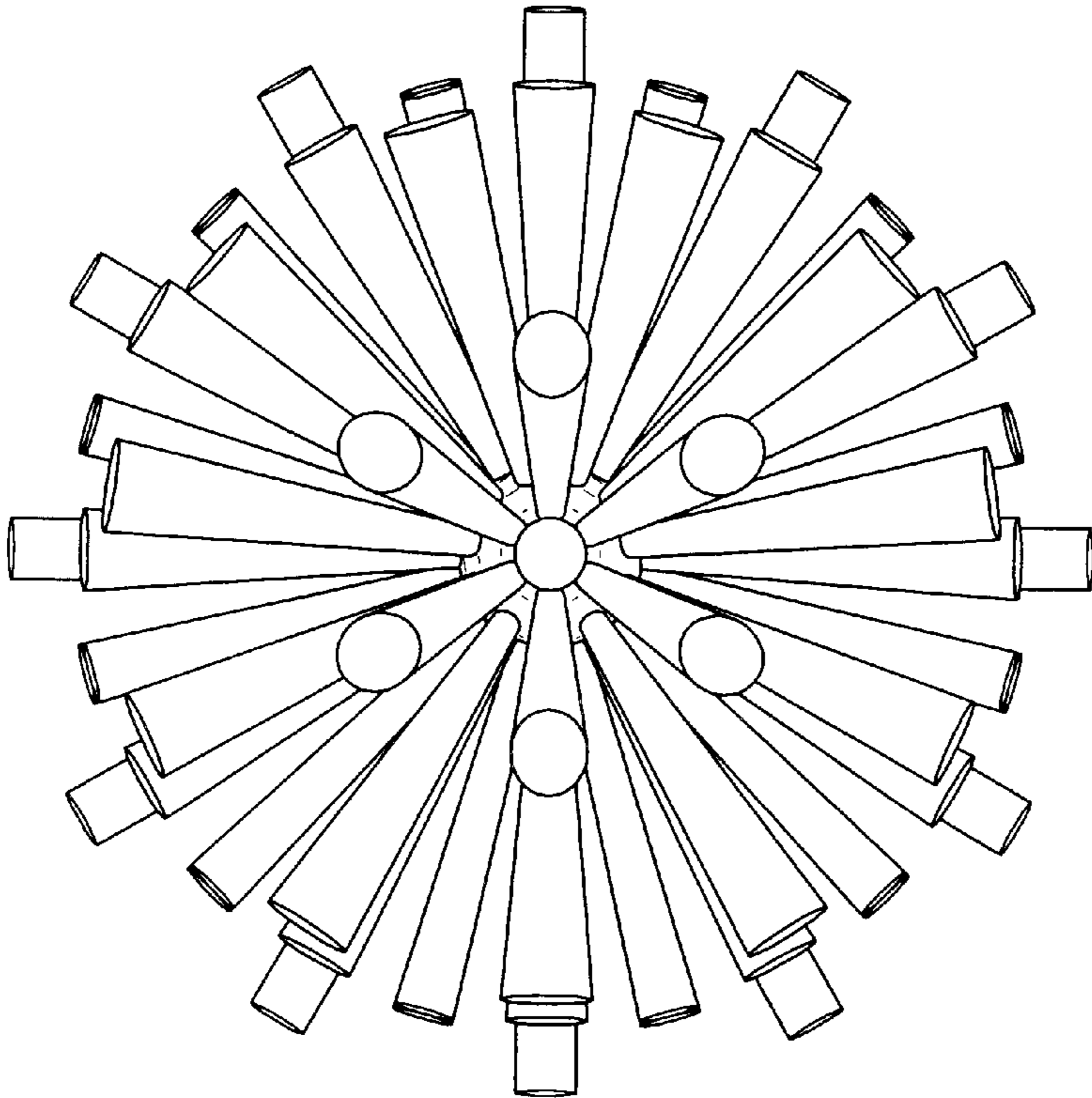


FIG-3